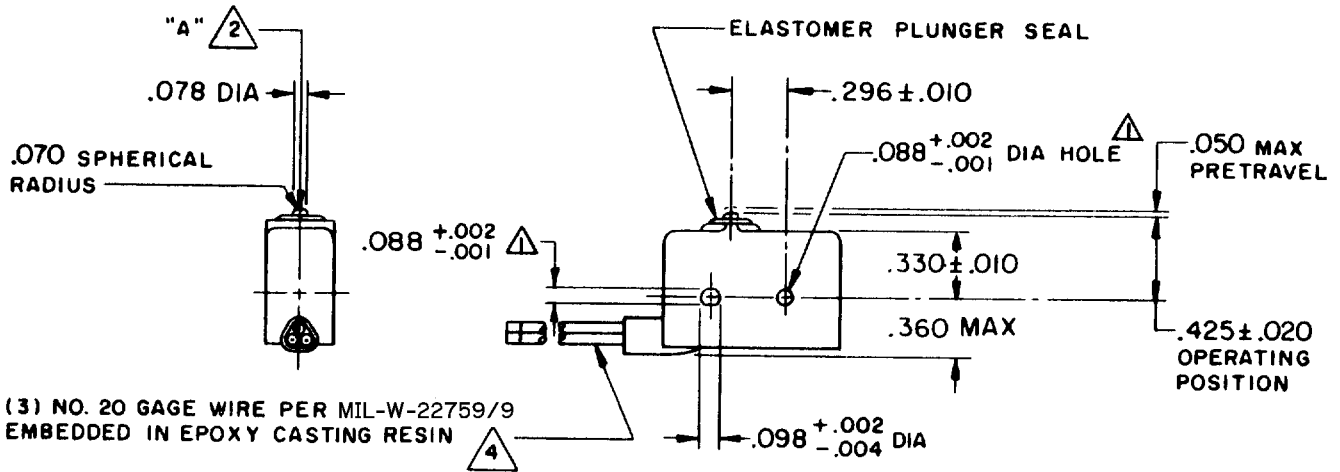
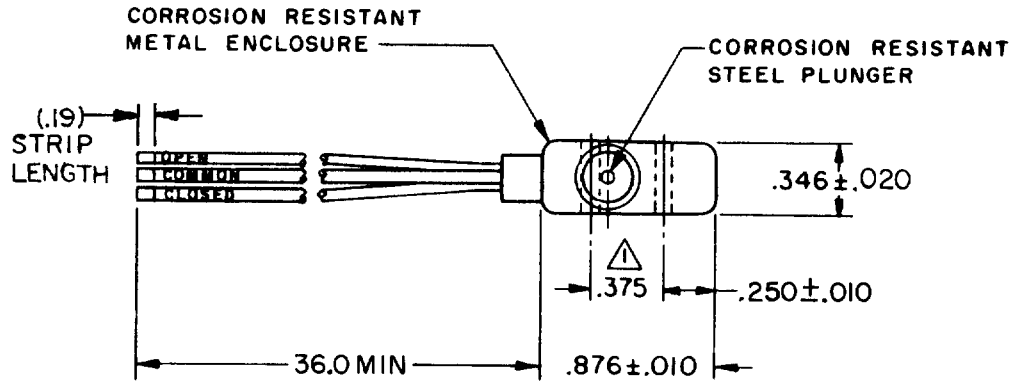


MICRO SWITCH

FREEPORT ILLINOIS, U.S.A
A DIVISION OF HONEYWELL
FED. MFG. CODE 91929

SWITCH - BASIC

CATALOG LISTING
5SE218-3



NOTES

- 1 MOUNTING HOLES WILL ACCEPT PINS OR SCREWS OF .087 MAX DIA ON .375 ± .002 CENTERS
- 2 ACTUATION IN LINE WITH ARROW "A" IS RECOMMENDED
- 3 WEIGHT OF SWITCH ONLY IS .26 OZ MAX. WEIGHT OF SWITCH WITH LEADS IS 1.40 OZ MAX
- 4 WIRE LEADS MARKED WITH CIRCUIT IDENTIFICATION AND WIRE GAGE (CLOSED - 20, OPEN - 20 AND COMMON - 20) PER MIL - W - 5088

THIS DRAWING COVERS A PROPRIETARY ITEM AND IS THE PROPERTY OF MICRO SWITCH, A DIVISION OF HONEYWELL. THIS DRAWING IS NOT TO BE COPIED OR USED WITHOUT THE APPROVAL OF MICRO SWITCH.

CHARACTERISTICS

OPERATING FORCE - - - - - 5 - 17 OZ
RELEASE FORCE - - - - - 4 OZ MIN
RELEASE TRAVEL - - - - - .004 MIN
DIFFERENTIAL TRAVEL - - - - - .004 MAX
OVERTRAVEL - - - - - .003 MIN

ELECTRICAL DATA

CONTACT ARRANGEMENT
S P D T

250 VAC - - - - - 5 AMP
30 VOLTS DC RATING

INDUCTIVE - - - - - SEA LEVEL - - 3 AMP
50,000 FT - - 2.5 AMP
RESISTIVE - - - - - SEA LEVEL - - 5 AMP
50,000 FT - - 5 AMP
MAXIMUM INRUSH - - - - - 24 AMP

SCALE FULL

DO NOT SCALE PRINT

UNLESS OTHERWISE NOTED
DIMENSIONS ARE IN INCHES

TOLERANCES ARE:

ONE PLACE (.0) ± .030
TWO PLACE (.00) ± .015
THREE PLACE (.000) ± .005
ANGLES ± .005

WEIGHT 3

DRAWING NUMBER **5SE218-3**

PAGE 1 OF 1

ISSUE **M**

8

REPLACES PR-6514

CHECK

REVISIONS

A	"P" ORDER	NOV 70
6	R E R	NOV 70
B	CO-34213	SEPT 74
C	PR-6514	MAY 77
D	CO52067	SEP 82
E	CO57041A	MAR 85
F	CO77706	MAY 94
G	CO-94402	MAR 99

FORMTEK

DRAWN

R E R 3 NOV 70

X-ON Electronics

Largest Supplier of Electrical and Electronic Components

Click to view similar products for [Basic / Snap Action Switches](#) category:

Click to view products by [Honeywell](#) manufacturer:

Other Similar products are found below :

[83228001](#) [01.098.1358.1](#) [602EN1-6B](#) [602EN532](#) [602EN535-RB](#) [602HE5-RB1](#) [604HE162](#) [604HE223-6B](#) [624HE17-RB](#) [6HM89](#) [6PA78-JM](#)
[6SE1](#) [6SX1-H58](#) [70500840](#) [MBD5B1](#) [MBH2731](#) [73-316-0012](#) [79211759](#) [79211923](#) [79218589](#) [7AS12](#) [ML-1155](#) [ML-1376](#) [831010C3.0](#)
[831060C3.TL](#) [831090C2.EL](#) [83131904](#) [84212012](#) [8AS239](#) [8HM73-3](#) [903VB1-PG](#) [914CE1-6G](#) [PL-100](#) [11SM1077-H4](#) [11SM1077-H58](#)
[11SM1-TN107](#) [11SM405](#) [11SM703-T](#) [11SM8423-H2](#) [11SX37-T](#) [11SX48-H58](#) [11SX55-H58](#) [11SM2442-T](#) [11SM76-T](#) [11SM77-H58](#)
[11SM77-T](#) [11SM863-T](#) [11SM866](#) [11SX47-H58](#) [A7CN-1M-1-LEFT](#)