

UNIVERSAL ENCLOSURES

HAND HELD CASES

HEAVY DUTY ENCLOSURES

DIN RAIL BOXES

INTERFACE SUPPORTS

CONTROL STATIONS

DIECAST & METAL BOXES

DESKTOP & INSTRUMENT CASES

POTTING BOXES

# 19" ENCLOSURES

19" CABINETS

19" RACK MOUNT CASE Cases

p78



DEVELOPMENT BOARD ENCLOSURES

Handles

p78



CUSTOM SIZED ENCLOSURES

Mounting Plate

p78



CUSTOM SERVICES

19" DESKTOP ENCLOSURES

Cases

p79



19" Panels

p79



Attachment Set

p79

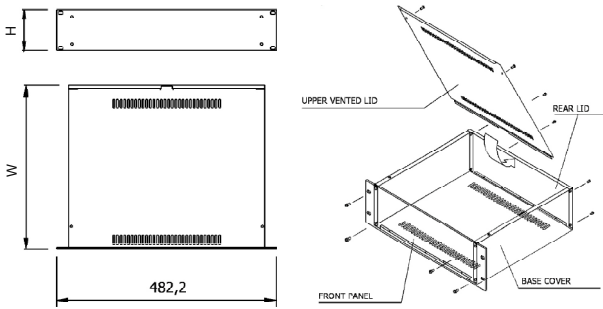


# 19" ENCLOSURES

## 19" Rack Mount Case

Designed for electronic and telecommunication equipment to be installed in 19" cabinets, with the ease of assembly, accessibility and strong construction for an effective installation.

- 1U, 2U & 3U heights
- 260mm & 360mm depths
- Secured with 10x screws M4 (8x for 1U)
- Front & rear internal supports for mounting of trays or PCBs.
- Customisation available; sizes, colour, cutouts, mounting and printing



### SPECIFICATION

Materials	Front panel 3mm thick aluminium Shell 1mm thick steel
Standard colours	Clear or black anodised front panel Epoxy painted similar to RAL 9002
Standard unit includes	Front panel Shell-box, rear & lid
Options (MOQ's apply)	Custom colours Custom dimensions

### Standard 19" Enclosure

SILVER	BLACK	U	DEPTH	HEIGHT
C19G1263S	C19G1263B	1U	263mm	43.6mm
C19G1363S	C19G1363B	1U	363mm	43.6mm
C19G2263S	C19G2263B	2U	263mm	88.1mm
C19G2363S	C19G2363B	2U	363mm	88.1mm
C19G3263S	C19G3263B	3U	263mm	132.5mm
C19G3363S	C19G3363B	3U	363mm	132.5mm

### 19" Enclosure with handles

SILVER	BLACK	U	DEPTH	HEIGHT
C19G2263SH	C19G2263BH	2U	263mm	88.1mm
C19G2363SH	C19G2363BH	2U	363mm	88.1mm
C19G3263SH	C19G3263BH	3U	263mm	132.5mm
C19G3363SH	C19G3363BH	3U	363mm	132.5mm

### Handles

- Contemporary design - 2U & 3U
- Can be mounted & disassembled without removing the front
- Handle black RAL 9004 or silver

BLACK	SILVER	DESCRIPTION
C192BHAND	C192SHAND	Fits 2U Plate
C193BHAND	C193SHAND	Fits 3U Plate



UNIVERSAL ENCLOSURES

HAND HELD CASES

HEAVY DUTY ENCLOSURES

DIN RAIL BOXES

INTERFACE SUPPORTS

CONTROL STATIONS

DIECAST & METAL BOXES

DESKTOP & INSTRUMENT CASES

POTTING BOXES

19" ENCLOSURES

19" CABINETS

DEVELOPMENT BOARD ENCLOSURES

CUSTOM SIZED ENCLOSURES

CUSTOM SERVICES



+44 (0)1638 716101  
info@camdenboss.com  
www.camdenboss.com

We operate a constant improvement policy, our products are subject to change without notice.

Ver 1.0 Iss 3

**CAMDENBOSS**  
ELECTRONICS & ENCLOSURES

# 19" ENCLOSURES

## 19" Desktop Enclosures

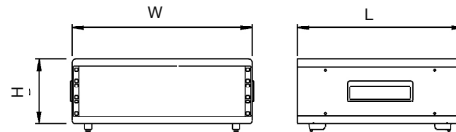
Sturdy lightweight 19" enclosures designed to accept 'full-width' 84E subracks and standard plug-in units.

- Heights from 2U up to 9U
- Constructed in 1mm thick steel
- Supplied with front tilt-feet, rear fixed feet
- Ventilation slots in base and rear panel
- Recessed side handles for comfort and ease transport
- Supplied flat-pack, open front design
- Front options ordered separately

SPECIFICATION	
Materials	Shell 1mm thick steel Handles ABS Legs ABS
Standard colours	Shell epoxy paint graphite grey Handles black similar to RAL 9004 Legs dark grey similar to RAL 7016
Standard unit includes	Top & bases covers Two side panels One rear panel Four feet 19" mounting brackets Handles Mounting hardware
Options	19" Front panels

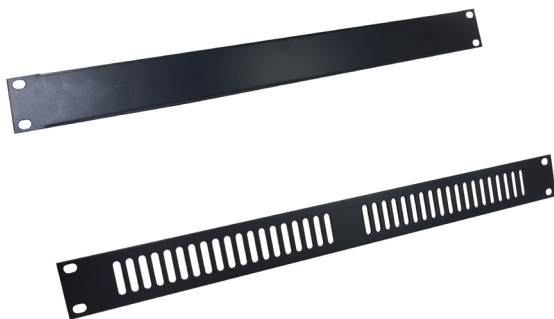


TYPE NO.	U	WIDTH	HEIGHT	LEGNTH
C19DE2330	2U	489mm	131.5mm	330mm
C19DE2450	2U	489mm	131.5mm	450mm
C19DE3330	3U	489mm	176mm	330mm
C19DE3450	3U	489mm	176mm	450mm
C19DE6330	6U	489mm	306mm	330mm
C19DE6450	6U	489mm	306mm	450mm
C19DE9450	9U	489mm	443mm	450mm



### 19" Front Panel

- Aluminium, 3mm thick, silver anodised/graphite grey
- Vented & solid profiles



SILVER ANODISED	ANTHRACITE	U	DEPTH	B	OPTION
CAX19SPS1	CAX19SPA1	1U	43.1mm	5.9mm	
CAX19VPS1	CAX19VPA1	1U	43.1mm	5.9mm	Vented
CAX19SPS2	CAX19SPA2	2U	88.1mm	5.9mm	
CAX19VPS2	CAX19VPA2	2U	88.1mm	5.9mm	Vented
CAX19SPS3	CAX19SPA3	3U	132.5mm	37.7mm	
CAX19VPS3	CAX19VPA3	3U	132.5mm	37.7mm	Vented
CAX19SPS4	CAX19SPA4	4U	177.0mm	37.7mm	
CAX19VPS4	CAX19VPA4	4U	177.0mm	37.7mm	Vented
CAX19SPS5	CAX19SPA5	5U	221.5mm	37.7mm	
CAX19VPS5	CAX19VPA5	5U	221.5mm	37.7mm	Vented
CAX19SPS6	CAX19SPA6	6U	265.9mm	37.7mm	
CAX19VPS6	CAX19VPA6	6U	265.9mm	37.7mm	Vented
CAX19SPS9	CAX19SPA9	9U	399.2mm	37.7mm	
CAX19VPS9	CAX19VPA9	9U	399.2mm	37.7mm	Vented

### Attachment Set



- Nickel-plated M6 x 15mm locking bolt with combi slotted/pozi head, PA washer, M6 caged nut with stainless-steel cage
- Pack of 4

TYPE NO.	SDESCRIPTION
CAX000001	Attachment set

## X-ON Electronics

Largest Supplier of Electrical and Electronic Components

*Click to view similar products for [camden manufacturer](#):*

Other Similar products are found below :

[412689X](#) [CTBP92HE/10](#) [CTBP92VE/12R](#) [CTBP9350/12](#) [IND515205-240-T/GRN](#) [IND515205-240-T/RD](#) [IND5032405-240-T/GRN](#)  
[CE10.00.EI](#) [C192SHAND](#) [RTM5006/16-PAT](#) [CNMB/6ST/2](#) [CNMB/4ST/2](#) [CSACST004](#) [CTBP9200/9](#) [CIME/M/BE2250SS](#) [CHH64E1BL](#)  
[CIM/15W-DMFS](#) [CHHBAT2GY](#) [CFTBN/2](#) [CCB2S1/04](#) [CHDX6-221C](#) [CHDX6-222C](#) [CHDX8-224](#) [CHDASMP29](#) [CHDASMP34](#)  
[CHDX810DD](#) [CHDX811DD](#) [CCTTM40LR](#) [CTBP92VJ/5S](#) [CTBP92VJ/8R](#) [CTSN431/12/M](#) [CTSN433/12/M](#) [CUABOX006](#) [IND513113-](#)  
[LED-RD](#) [CE10.00.FM](#) [CBRPH-BLK](#) [BIM2003/13-WH/WH](#) [RX2008/S-5-WH](#) [CBARD-CAR](#) [CRDCG0007](#) [CNMB/4/KIT](#) [CTB5050/5](#)  
[CTBP92HE/11](#) [CTBP9358/10AO](#) [CHH66C2GY](#) [CHH456PBK](#) [CHH451ABK](#) [CIM/9W-DMFS](#) [CIM/25W-DMFS](#) [RTM5004/14-NC-BLK](#)