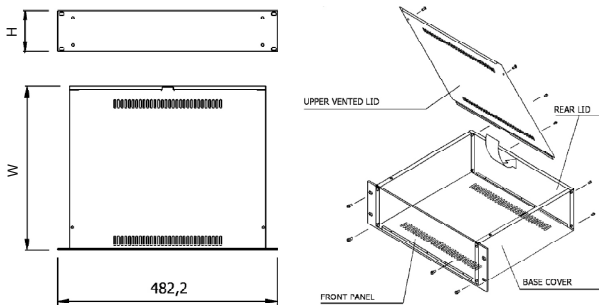


19" ENCLOSURES

19" Rack Mount Case

Designed for electronic and telecommunication equipment to be installed in 19" cabinets, with the ease of assembly, accessibility and strong construction for an effective installation.

- 1U, 2U & 3U heights
- 260mm & 360mm depths
- Secured with 10x screws M4 (8x for 1U)
- Front & rear internal supports for mounting of trays or PCBs.
- Customisation available; sizes, colour, cutouts, mounting and printing



SPECIFICATION

Materials	Front panel 3mm thick aluminium Shell 1mm thick steel
Standard colours	Clear or black anodised front panel Epoxy painted similar to RAL 9002
Standard unit includes	Front panel Shell-box, rear & lid
Options	Front handles

Standard 19" Enclosure

SILVER	BLACK	U	DEPTH	HEIGHT
C19G1263S	C19G1263B	1U	263mm	43.6mm
C19G1363S	C19G1363B	1U	363mm	43.6mm
C19G2263S	C19G2263B	2U	263mm	88.1mm
C19G2363S	C19G2363B	2U	363mm	88.1mm
C19G3263S	C19G3263B	3U	263mm	132.5mm
C19G3363S	C19G3363B	3U	363mm	132.5mm

19" Enclosure with handles

SILVER	BLACK	U	DEPTH	HEIGHT
C19G2263SH	C19G2263BH	2U	263mm	88.1mm
C19G2363SH	C19G2363BH	2U	363mm	88.1mm
C19G3263SH	C19G3263BH	3U	263mm	132.5mm
C19G3363SH	C19G3363BH	3U	363mm	132.5mm

19" Mounting Plates

SILVER	BLACK	DESCRIPTION
C191PBNHH	C191PSNHH	1U Plate
C192PBNHH	C192PSNHH	2U Plate
C193PBNHH	C193PSNHH	3U Plate



Handles

- Contemporary design- 2U & 3U
- Can be mounted & disassembled without removing the front
- Handle black RAL 9004 or silver

BLACK	SILVER	DESCRIPTION
C192BHAND	C192SHAND	Fits 2U Plate
C193BHAND	C193SHAND	Fits 3U Plate



X-ON Electronics

Largest Supplier of Electrical and Electronic Components

Click to view similar products for [camden manufacturer](#):

Other Similar products are found below :

[412689X](#) [CTBP92HE/10](#) [CTBP92VE/12R](#) [CTBP9350/12](#) [IND515205-240-T/GRN](#) [IND515205-240-T/RD](#) [IND5032405-240-T/GRN](#)
[CE10.00.EI](#) [C192SHAND](#) [RTM5006/16-PAT](#) [CNMB/6ST/2](#) [CNMB/4ST/2](#) [CSACST004](#) [CTBP9200/9](#) [CIME/M/BE2250SS](#) [CHH64E1BL](#)
[CIM/15W-DMFS](#) [CHHBAT2GY](#) [CFTBN/2](#) [CCB2S1/04](#) [CHDX6-221C](#) [CHDX6-222C](#) [CHDX8-224](#) [CHDASMP29](#) [CHDASMP34](#)
[CHDX810DD](#) [CHDX811DD](#) [CCTTM40LR](#) [CTBP92VJ/5S](#) [CTBP92VJ/8R](#) [CTSN431/12/M](#) [CTSN433/12/M](#) [CUABOX006](#) [IND513113-](#)
[LED-RD](#) [CE10.00.FM](#) [CBRPH-BLK](#) [BIM2003/13-WH/WH](#) [RX2008/S-5-WH](#) [CBARD-CAR](#) [CRDCG0007](#) [CNMB/4/KIT](#) [CTB5050/5](#)
[CTBP92HE/11](#) [CTBP9358/10AO](#) [CHH66C2GY](#) [CHH456PBK](#) [CHH451ABK](#) [CIM/9W-DMFS](#) [CIM/25W-DMFS](#) [RTM5004/14-NC-BLK](#)