



WOLF ATEX SAFETY TORCHES



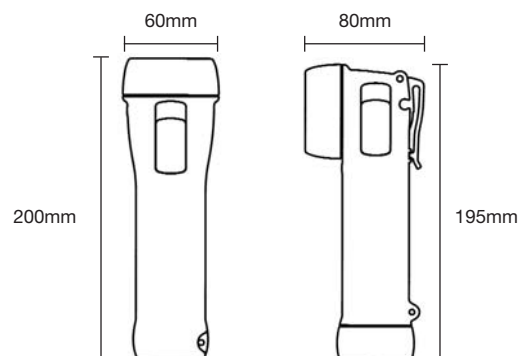
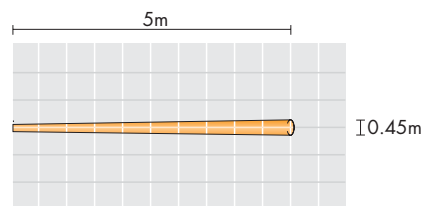
- T6 and T4 models
- Simple, robust design
- Ultimate halogen light output
- High energy alkaline cell certified
- ATEX explosive gas and dust approval
- Low power indicator option



TS-26 & TR-26
1.2W beam (approx 5°)
Peak luminous intensity at 5m, **170 lux**

TS-24 & TR-24
1.7W beam (approx 5°)
Peak luminous intensity at 5m, **230 lux**

TS-24+ & TR-24+
2.0W beam (approx 5°)
Peak luminous intensity at 5m, **280 lux**



The Wolf ATEX Safety Torch range offers the perfect answer for every Ex application, with reliable, simple and cost effective solutions. The range includes T4 and T6 models with straight or right-angle body style.

T4 models give outstanding light output using advanced, long life halogen or xenon bulbs, set in a high quality parabolic reflector, coupled with alkaline cell approval, giving up to 12 hours of light output. The T4 halogen models are fitted with a low power warning circuit, illuminating a red indicator when battery voltage is low. Alternatively T6 approval allows use in any Zone 1 or 2 atmospheres, with optimum light output in this temperature class, and a 5 hour duration.

The Wolf ATEX Torch range is CE marked compliant with the 94/9/EC ATEX Explosive Atmospheres Equipment Directive. BASEEFA Certification is to the latest standards, for use in potentially explosive gas, vapour and mist atmospheres, zones 1 and 2, temperature class T6 or T4. Dust ignition protection covers use in zones 21 and 22, with the certified maximum surface temperatures of 65°C or 95°C. Temperature ambient use is from – 20°C to a maximum of 40°C or 55°C, as specified in the instructions.

The compact Wolf ATEX Torch design has a high-grip ergonomic form with easy single handed switching, even with gloved hands. The torch body offers high strength,

and proven impact resistance even at sub zero temperatures, using carefully selected thermoplastic resins with excellent chemical resistance. Additionally, the rubber armoured lens ring and end cap give enhanced grip and shock protection. The shatterproof polycarbonate lens has a scratch and chemical resistant coating. The Wolf ATEX Torch range is sealed dust tight and protected from water immersion, with a certified IP67 enclosure. Right angle models incorporate a replaceable high strength thermoplastic belt clip for hands free use. Both models allow straightforward battery and bulb replacement, a spare bulb is fitted in the bulbholder for quick and convenient replacement. All models are supplied with wrist straps and clip rings.

Wolf ATEX Safety Torches						
Technical Specification						
Model	TS-26	TR-26	TS-24	TR-24	TS-24+	TR-24+
Description	Safety Torch, Primary Cell Powered, Straight or Right-Angle					
	Straight T6	R/Angle T6	Straight T4	R/Angle T4	Straight T4+ with indicator	R/Angle T4+ with indicator
Code	Ⓔ II 2 GD EEx e ib IIC T6 IP67 T65°C		Ⓔ II 2 GD EEx e ib IIC T4 (Tamb = 40/55°C) IP67 T95°C (Tamb = 55°C)			
Equipment category	2 GD					
Apparatus standard	EN50014, EN0019, EN50020, EN50281-1-1					
Type of protection	Increased safety, intrinsic safety					
Area of classification (gas)	Zones 1 & 2 Gas Groups IIA, IIB, IIC					
Temperature class (gas)	T6			T4		
Ambient temperature (gas)	-20°C to +40°C			-20°C to +40°C/+55°C		
Area of classification (dust)	Zones 21 and 22					
Temperature class (dust)	65°C			95°C		
Ambient temperature (dust)	-20°C to +40°C			-20°C to +55°C		
Certificate	BAS 02 ATEX 2220X					
Enclosure	Impact resistant thermoplastic, electrostatic non-hazardous					
Lens	Polycarbonate, impact resistant with hard coat					
Beam type	Medium spot					
Light source:	Pt. no.	TP-406		TP-404		TP-402
	Type	Vacuum filament bulb		Xenon filled filament bulb		Halogen filled filament bulb
	Rating	2.4V, 0.5A		2.4V, 0.7A		2.4V, 0.83A
	Output	11.4 lm (at nom voltage)		15 lm (at nom voltage)		23 lm (at nom voltage)
	Life	15 hrs		50 hrs		30 hrs
	Spare bulb	TP-406		TP-404		TP-404
Power supply	Pt. no.	T-20		H-20		
	Type	R20 primary cells to IEC60086		R20/LR20 primary cells to IEC60086		
	Volts	2 x 1.5v		2 x 1.5v		
Light duration	Up to 5 hrs		Up to 12 hrs		Up to 10 hrs	
Ingress protection	IP67 to EN60529: 1992					
Weight (without cells)	150g	190g	150g	190g	150g	190g

Note: All information has been gathered under laboratory conditions, the user must regard the values given as approximate. The Company reserves the right to alter product specifications without prior notice.

WOLF SAFETY LAMP COMPANY

Saxon Road Works, Sheffield S8 0YA, England

Tel: +44 114 255 1051 Fax: +44 114 255 7988

E-mail: info@wolf-safety.co.uk Website: www.wolf-safety.co.uk

MMD/N/.8.02/2K



Wolf Safety Lamp Company

X-ON Electronics

Largest Supplier of Electrical and Electronic Components

Click to view similar products for [wolf](#) manufacturer:

Other Similar products are found below :

[M-20](#)