

Composition accessories

Fixing accessories

2



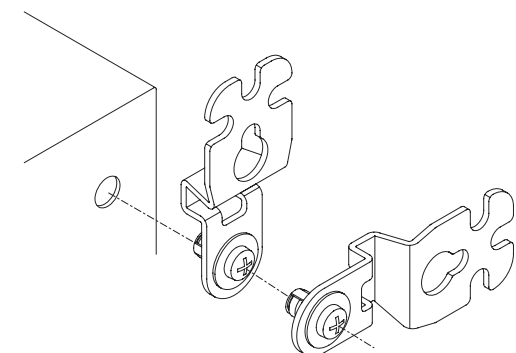
Wall-fixing lugs

Set of 4 wall-fixing lugs

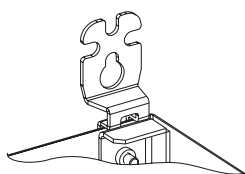
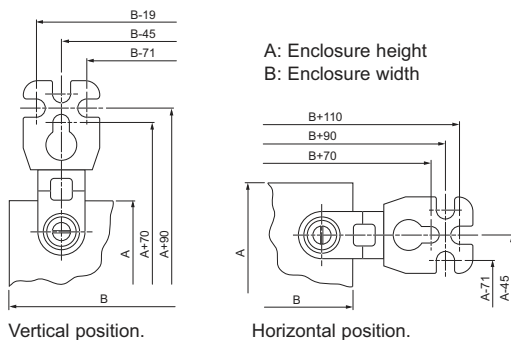
- Mounted directly on the rear of the enclosure, either in horizontal or vertical position.
- Two types of position, steel and 304 stainless-steel, for a wall-enclosure separation of 10 mm.
- Acceptable load:
 - Horizontal lug: 180 kg.
 - Vertical lug: 350 kg.
- Supplied with fixing screws and pre-mounted sealing gaskets.

Description	Reference
Set of 4 steel fixing lugs	NSYAEFPFSC
Set of 4 stainless-steel fixing lugs	NSYAEFPFXSC

Fixing centre-to-centre distance with lugs (M8 screw)



Installation from the outside.

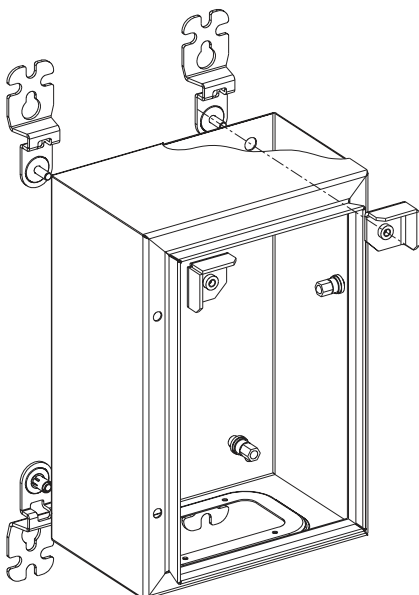


Kit for heavy loads

Kit made up of 2 steel reinforcement pieces.

- Maximum load, 400 kg.
- To be mounted before installing the mounting plate in top position with the standard lugs (to be ordered separately).

Description	Reference
Kit for heavy loads	NSYAEFAHLBSC



X-ON Electronics

Largest Supplier of Electrical and Electronic Components

Click to view similar products for [schneider](#) manufacturer:

Other Similar products are found below :

[LU9M1](#) [7D](#) [7S](#) [7XA1](#) [FNQR2](#) [8501RS44V24](#) [8501RSD14P14V51](#) [8501XO20V03Y414](#) [9001KXRK](#) [9001SKR9P35RH25](#) [9001SKT35L31](#)
[9003K2C003GA](#) [9007AA1](#) [9007BA1](#) [9007C54D](#) [9007C62A2](#) [9007CA11](#) [9007FA3](#) [9007HA4](#) [9007HA6](#) [9007KA1](#) [9007KB11](#)
[9007MS01S0206](#) [9007MS02S0300](#) [9012GAR4](#) [9012GAW2](#) [9012GBW1](#) [9012GDW5E3](#) [9012GFW1](#) [9012GNG1](#) [9012GNG3](#) [9012GNG6](#)
[9013FHG39J69](#) [9013GHG2J30](#) [9050JCK2F30V14](#) [GV2ME04](#) [GV2ME10](#) [GV2ME14](#) [GV2ME20](#) [GV2ME32](#) [GV2P06](#) [GV2P08](#) [GV2P10](#)
[GV2P16](#) [GV2P20](#) [GV2P21](#) [GV2RT07](#) [GV2RT21](#) [GVAD1001](#) [GVAN11](#)