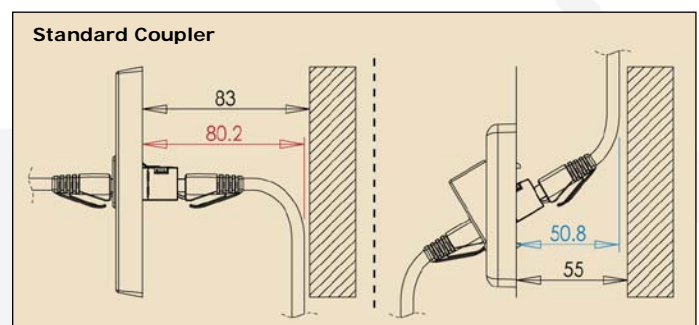
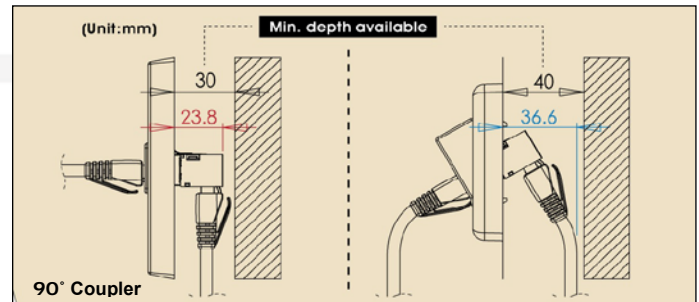


## 90° Keystone Panel Mount Coupler Category 6



### 90° Keystone Panel Mount Coupler (SACK90Bk + SACK90Wh + SACK90S)

High performance coupler ideal for use in backboxes and in limited space.

#### Features

- Slim and very compact design enables use in panels or faceplates where width or depth are restricted
- Designed to fit US industry standard keystone mount outlets wall plates and patch panels
- High performance data throughput, meets Category 6 data transfer rates
- Black, white and shielded and versions available
- Press-fit lead- and solder-free assembly

#### Specifications

- Dimensions (mm) 36 x 20 x 16.8 approx
- Colour: White or black (unshielded) / Silver (shielded)
- Housing: ABS UL94V-0
- Connectors: 3µ"/0.075µm gold plating on 30µ"/0.75µm palladium on nickel plated phosphor bronze

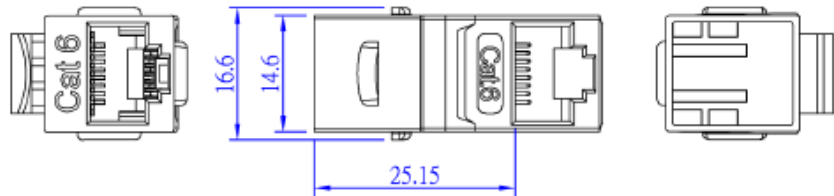
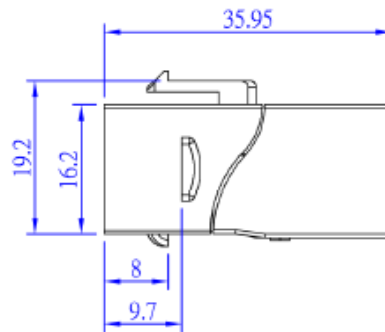
ROHS Compliant

**Features :**

- RJ45 complies with FCC part 68 standard
- Jack insertion life >750 mating cycles
- Operating temperature : -40°C~+60°C

**Electrical :**

- Contact resistance : 20m ohm
- DC Current rating : 1.5Amps
- DC resistance : Max. 0.1 ohm
- Insulation Resistance : 500m ohm
- Dielectric withstanding voltage : 1000V



TOLERANCE	
.XXXX	---
.XXX	0.10
.XX	0.25
.X	0.38

**TECHNICAL DATA**

CATEGORY	<input type="checkbox"/> CAT.5E <input checked="" type="checkbox"/> CAT.6 <input type="checkbox"/> CAT.3 <input type="checkbox"/> OTHER _____
HOUSING	ABS + PC UL94V-0
SPRING WIRE	PHOSPHOR BRONZE 3u" AU / 30u" PdNi over 60u" Nickel undercoat *
COLOR	<input type="checkbox"/> WHITE <input checked="" type="checkbox"/> BLACK <input type="checkbox"/> GREEN <input type="checkbox"/> BLUE <input type="checkbox"/> YELLOW <input type="checkbox"/> RED <input type="checkbox"/> ORANGE <input type="checkbox"/> IVORY <input type="checkbox"/> OTHER _____
TYPE OF PRODUCT	<input checked="" type="checkbox"/> UNSHIELD <input type="checkbox"/> SHIELD : 0.25mm THICKNESS COPPER ALLOY WITH NICKLE PLATED
	* = Equivalent to 50u" gold plating

SA

ITEM. Keystone Jack

DR. Breaker2010/01/07

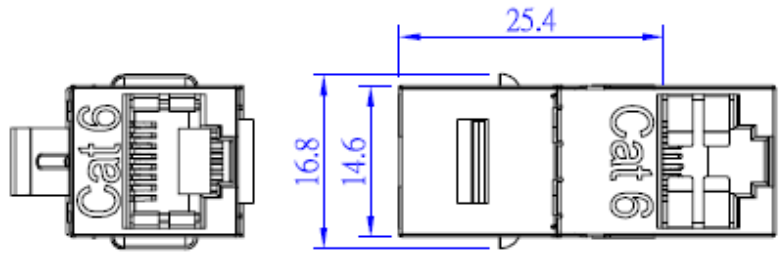
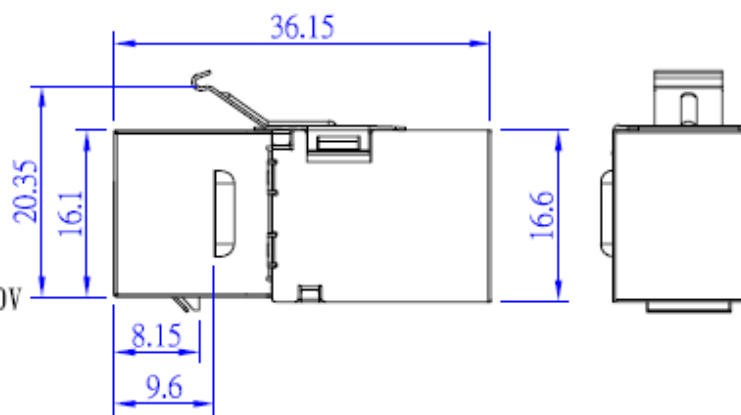
APPD.

**TUK Ltd**  
Cat 6 90 degree  
panel mount couple

1 | 2 | 3 | 4 | 5

ROHS Compliant

- Features :
- RJ45 complies with FCC part 68 standard
  - Jack insertion life >750 mating cycles
  - Operating temperature : -40°C~+60°C
- Electrical :
- Contact resistance : 20m ohm
  - DC Current rating : 1.5Amps
  - DC resistance : Max. 0.1 ohm
  - Insulation Resistance : 500m ohm
  - Dielectric withstanding voltage : 1000V



TOLERANCE	
.XXXX	—
.XXX	0.10
.XX	0.25
.X	0.38

TECHNICAL DATA	
CATEGORY	<input type="checkbox"/> CAT.5E <input checked="" type="checkbox"/> CAT.6 <input type="checkbox"/> CAT.3 <input type="checkbox"/> OTHER _____
HOUSING	ABS + PC UL94V-0
SPRING WIRE	PHOSPHOR BRONZE 3u" AU / 30u" PdNi over 60u" Nickel undercoat *
COLOR	<input type="checkbox"/> WHITE <input type="checkbox"/> BLACK <input type="checkbox"/> GREEN <input type="checkbox"/> BLUE <input type="checkbox"/> YELLOW <input type="checkbox"/> RED <input type="checkbox"/> ORANGE <input type="checkbox"/> IVORY <input type="checkbox"/> OTHER _____
TYPE OF PRODUCT	<input type="checkbox"/> UNSHIELD <input checked="" type="checkbox"/> SHIELD : 0.25mm THICKNESS COPPER ALLOY WITH NICKLE PLATED
* = Equivalent to 50u" gold plating	

ITEM. Keystone Jack

DR. Breaker2010/01/07 APPD

**TUK Ltd**  
**Cat 6 90 degree pa**  
**coupler, shielded**

TUK Ltd, Unit 4, Wimbledon Stadium Business Centre, Riverside Road, London, SW17 0BA

Tel: 020 8946 6688 Fax: 020 8879 7410 Email: sales@tuk.co.uk Website: www.tuk.co.uk

## X-ON Electronics

Largest Supplier of Electrical and Electronic Components

*Click to view similar products for [Modular Connectors](#) / [Ethernet Connectors](#) category:*

*Click to view products by [Pro Signal](#) manufacturer:*

Other Similar products are found below :

[RJE231881317T](#) [MP1010RX-1000](#) [MP44RX-1000](#) [GAX-3-66](#) [GAX-8-62](#) [93606-0253](#) [GD-A-44](#) [GDCX-PA-66-50](#) [GDCX-PN-64](#) [GDCX-PN-66](#) [GDCX-PN-66-50](#) [GDLX-A-66](#) [GDLX-A-88](#) [GDLX-N-66](#) [GDLX-S-88K](#) [GDTX-S-88-50](#) [GDX-PA-1010](#) [GLX-N-1010M-BLK](#) [GLX-N-44M](#) [GLX-S-88M-BLK](#) [GMX-N-1010](#) [GMX-S-1010](#) [GMX-S-66](#) [GMX-SMT2-N-1010](#) [GMX-SMT2-N-64-50](#) [GMX-SMT2-S6-88](#) [GMX-SMT4-N-88](#) [GPX-2-64](#) [GRT1-BT1-5](#) [GSGX-N-2-88](#) [GSX-NS2-88-3.05](#) [GSX-NS2-88-3.05-50](#) [GSX-NS-88-3.05-30](#) [GSX-NS-88-3.05-50](#) [GSX-NS-88-3.68](#) [1-1775629-2](#) [GWLX-S-88-GR](#) [GWLX-S9-88-YG](#) [1300500326](#) [1300500227](#) [1300530003](#) [1300570002](#) [1324640-4](#) [RJ11FTVC2G](#) [RJ11FTVC2N](#) [RJFTVX2SA1G](#) [132764-001](#) [1400000](#) [1413176](#) [1413235](#)