

Polyester wall-mounting enclosures

Service life
High resistance to corrosion in harsh environments, maintaining its mechanical properties and insulation.

Protection

- IP 66.
- Polyurethane seal.
- Built-in canopy.
- Lock outside sealed area.

Choice

- 1 ABS/PC version and 7 polyester versions.
- Smooth or glazed door.

Easy

- Door easily reversible by turning it over.
- Opening to 120° or 180°.
- Easy machining with no corrosion.
- Lightness.



Smart

- Notches for easy fixing of DIN rails.
- Grid pattern on the rear of the door for marking the machining operations.

Customisation

- Configured: machining and accessories.
- Specific: non-standard colour and accessories.

Safety

- Full insulation (to produce class II units).
- Mechanical strength.
- No risk to the public.

Applications

- Industry or infrastructures in harsh environments.
- Indoor or outdoor installation.
- Accessories for modular distribution.

General characteristics of the Thalassa PLM wall-mounting enclosures:

- Indoor or outdoor use.
- 1 size for the ABS/PC wall-mounting enclosure (310 × 215 × 160 mm).
- 7 sizes of polyester wall-mounting enclosures.
- Monobloc body including the canopies (seal protection), except for wall-mounting enclosure ref. **NSYPLM3025**.
- Doors with polyurethane seal.
- 2 types of doors.
 - Smooth.
 - Transparent (for the ABS/PC enclosure) or glazed (for the polyester enclosures).
- Reversible door opening direction by turning the enclosure over.
- Degree of protection IP 66 according to standard IEC 60529.
- Impact resistance IK 10 for the plain doors and surfaces and IK 08 for the glazed doors of the polyester versions, according to standard IEC 62262.
- Many accessories in common with the range of steel wall-mounting enclosures, Spacial S3D or Spacial CRN.

Properties of the material of the polyester versions

The wall-mounting enclosures are made from polyester reinforced with fibreglass, moulded by hot compression, RAL 7032 colour.

This material:

- Is insulating: several kV per mm.
- Withstands cold and heat in the range of -50 °C...+150 °C.
- Does not soften under intense heat (ball resistance at +150 °C).
- Is self-extinguishing (does not propagate fire): HB40 classification and self-extinguishing in several seconds during the glow-wire test at 960 °C –30 sec.
- Does not contain halogens.
- Releases little smoke and no toxic smoke in the event of combustion.
- Is light.
- Can be machined easily.
- Is corrosion-resistant: no rusting, and can withstand many chemical agents.
- Can resist bad weather.

Characteristics of the production process of the polyester version

The components of the enclosure (body and doors) are moulded by hot compression: the parts have an excellent finish on both sides and can include bosses for accommodating inserts and accessories for mounting or cable-management.

Certificate of conformity with enclosure standard IEC 62208 for:

IP, IK, resistance to heat and fire, insulation 5000 V, resistance to bad weather and corrosion and resistance to internal loads (150 kg/m²) and loads on the door (30 kg/m²).

UL certification and NEMA classification 4x and 13 for the polyester wall-mounting enclosures

Full insulation to produce class II units according to IEC 61439-1

Complies with the RoHS directive

ABS/PC wall-mounting enclosures 310 × 215 mm IP 66

Introduction



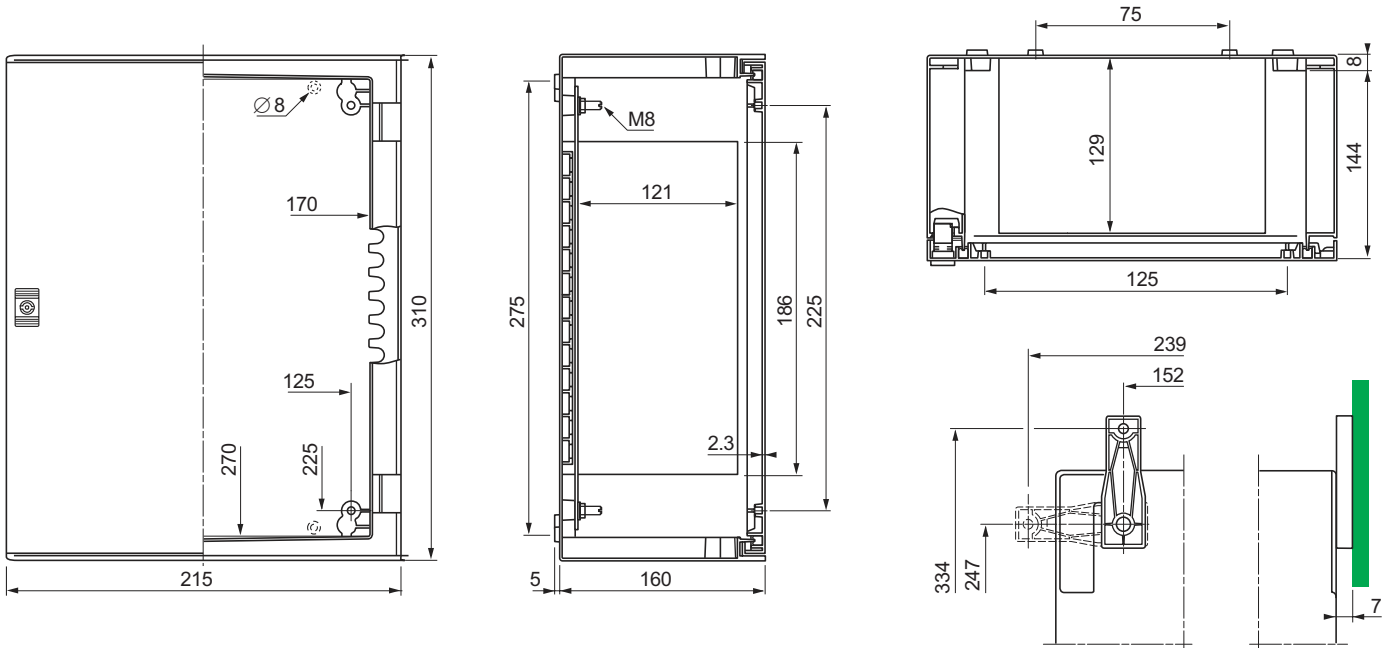
Technical characteristics

- Monobloc wall-mounting enclosure made from ABS/PC, RAL 7032 colour.
- Version with transparent polycarbonate door.
- Closes with a 3-mm double-bar lock.
- Door opening: 180°.
- Degree of protection: -35 °C...+90 °C.
- Protection rating IP 66 according to IEC 60529.
- Resistance to external mechanical impacts of IK 10 (20 joules) according to IEC 62262.
- Direct fixing of symmetrical rails ref. **NSYCS200PLM** with plastic nuts ref. **NSYTCSPLM**, to be installed in the notches on the rear of the body, with a pitch of 25 mm.
- Fixing of installation plates on the studs at the rear of the enclosure.
- Back of the door with a 25-mm grid pattern.

External dimensions (mm)			References of wall-mounting enclosures with door	
Height	Width	Depth	Plain*	Transparent
310	215	160	NSYPLM32	NSYPLM32T

*These enclosures are also available equipped with metallic or insulating mounting plates. See summary guide of the references on page 6/22.

Dimensions



6

Polyester wall-mounting enclosures 308 × 255 mm IP 66

Introduction



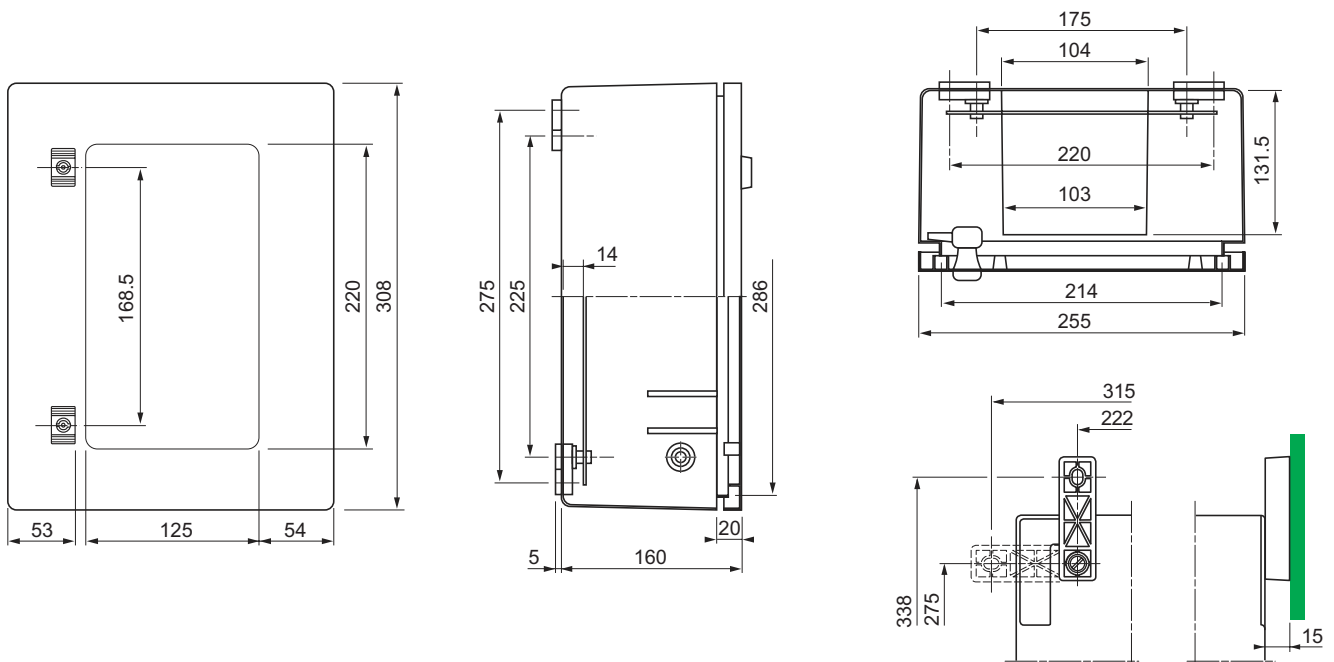
Technical characteristics

- Monobloc wall-mounting enclosure made from polyester reinforced with fibreglass, moulded by hot compression, RAL 7032 grey colour.
- Version with transparent tempered-glass door.
- Degree of protection IP 66 according to IEC 60529.
- Resistance to external mechanical impacts:
 - Plain door enclosures IK 10 (20 joules).
 - Glazed door enclosures IK 08 (5 joules) according to IEC 62262.
- Closes with two 3-mm double-bar locks.
- Door opening angle: 120°.
- Fixing of rear accessories on 4 M8 × 18 studs.
- Grid pattern with a pitch of 50 mm on the back of the door.

External dimensions (mm)			References of wall-mounting enclosures with door	
Height	Width	Depth	Plain*	Transparent
308	255	160	NSYPLM3025	NSYPLM3025T

*These enclosures are also available equipped with metallic or insulating mounting plates. See summary guide of the references on page 6/22.

Dimensions



Polyester wall-mounting enclosures IP 66

Introduction



Technical characteristics

- Monobloc wall-mounting enclosure made from polyester reinforced with fibreglass, moulded by hot compression, RAL 7032 grey colour.
- Version with transparent tempered-glass door.
- Degree of protection IP 66 according to IEC 60529.
- Resistance to external mechanical impacts:
 - Plain door enclosures IK 10 (20 joules).
 - Glazed door enclosures IK 08 (5 joules) according to IEC 62262.
- Locking device outside the sealed area, guaranteeing the tightness of IP 66 over time.
- Locking system:
 - Enclosure height ≤ 847 mm: 2 locks with double-bar insert or 1 handle with key lock and 3-point closure.
 - Enclosure height 1056 mm: 1 lock with double-bar insert and 4-point closure.
- Door opening angle: 180°.
- Bosses for accessory-fixing inserts: M6 inside the enclosure, M5 in the door for enclosure heights of 430 and 530 mm, M6 in the door for enclosure heights ≥ 647 mm.
- Fixing of rear accessories on 4 M8 studs, included in the standard supply.
- Direct fixing of symmetrical rails ref. **NSYCS●●●PLM**, with plastic nuts, ref. **NSYTCSPLM**, to be installed in the notches on the rear of the body, with a pitch of 25 mm.
- Grid pattern with a pitch of 25 mm on the back of the door.



Polyamide hinge pin, easily removable and captive.



Built-in canopy protecting the door and the sealing gasket. Two double-bar 3-mm locks outside the sealed zone.

6



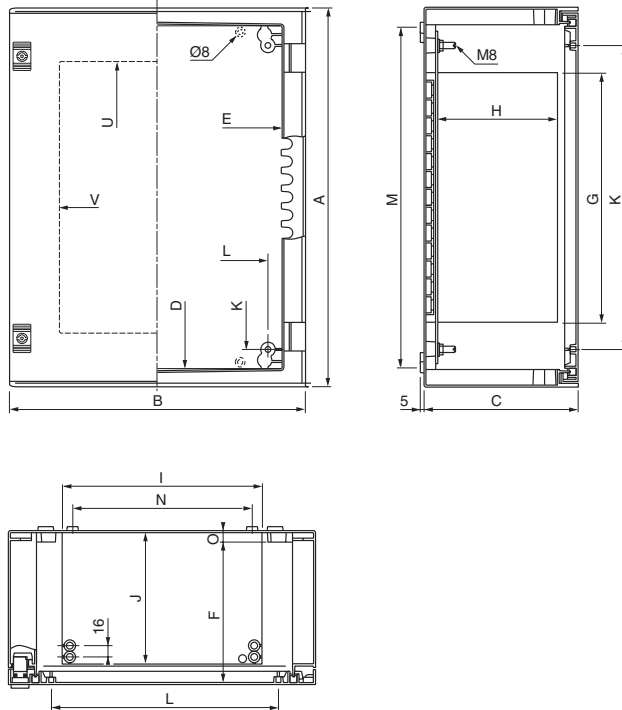
External dimensions (mm)			References of wall-mounting enclosures with door			
Height (A)	Width (B)	Depth (C)	Plain (3)	Plain (1)	Transparent	Transparent (1)
430	330	200	NSYPLM43	NSYPLM43V	NSYPLM43T	NSYPLM43TV
530	430	200	NSYPLM54	NSYPLM54V	NSYPLM54T	NSYPLM54TV
647	436	250	NSYPLM64	NSYPLM64V	NSYPLM64T	NSYPLM64TV
747	536	300	NSYPLM75	NSYPLM75V	NSYPLM75T	NSYPLM75TV
847	636	300	NSYPLM86	NSYPLM86V	NSYPLM86T	NSYPLM86TV
1056	852	350	NSYPLM108 (2)	-	NSYPLM108T (2)	-

(1) Wall-mounting enclosure with handle and lock with 3-point closure and key 1242 E delivered as standard.
 (2) Wall-mounting enclosure with standard 5-mm double-bar lock and lock with 4-point closure.
 (3) These enclosures are also available equipped with metallic or insulating mounting plates. See summary guide of the references table on page 6/22.

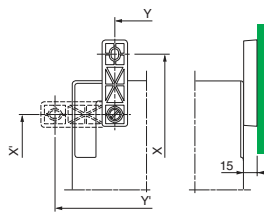
Polyester wall-mounting enclosures IP 66

Dimensions

A: Height
B: Width
C: Depth



Dimensions (mm)										Bottom screw and door bosses (mm)		Internal fixing (m)			Glazed door (mm)		References
A	B	C	D	E	F	G	H	I	J	K	L	M	N	O	U	V	
430	330	200	380	260	181	247	150	179	168	325	225	375	150	13	273	194	NSYPLM43
530	430	200	480	360	181	347	150	279	168	425	325	475	250	13	373	294	NSYPLM54
647	436	250	580	360	228	388	192	279	212	525	325	575	250	13	473	294	NSYPLM64
747	536	300	680	460	278	487	241	379	261	325	425	675	350	15	573	394	NSYPLM75
847	636	300	780	560	278	587	241	479	261	725	525	775	450	15	673	494	NSYPLM86
1056	852	350	980	760	327	775	280	680	300	925	725	975	650	15	854	661	NSYPLM108



External fixing with lugs (mm)				References
Vertical		Horizontal		
X	Y	X'	Y'	
490	225	355	360	NSYPLM43
590	325	455	460	NSYPLM54
690	330	555	465	NSYPLM64
790	430	655	565	NSYPLM75
890	530	755	665	NSYPLM86
1090	750	955	885	NSYPLM108

Polyester wall-mounting enclosure

Selection guide

Summary guide of the references



External dimensions (mm)			ABS/PC wall-mounting enclosures IP 66		Polyester wall-mounting enclosures IP 66				Wall-mounting enclosures with plain door and mounting plate	
H	W	D	Plain door	Transp. door	Plain door	Transp. door	Plain door 3-point closure	Transp. door 3-point closure	Plain	Bakelite
			Page 6/18		Page 6/19 and 6/20		Page 6/20			
310	215	160	NSYPLM32	NSYPLM32T	-	-	-	-	NSYPLM32P	NSYPLM32B
308	255	160	-	-	NSYPLM3025	NSYPLM3025T	-	-	NSYPLM3025P	NSYPLM3025B
430	330	200	-	-	NSYPLM43	NSYPLM43T	NSYPLM43V	NSYPLM43TV	NSYPLM43P	NSYPLM43B
530	430	200	-	-	NSYPLM54	NSYPLM54T	NSYPLM54V	NSYPLM54TV	NSYPLM54P	NSYPLM54B
647	436	250	-	-	NSYPLM64	NSYPLM64T	NSYPLM64V	NSYPLM64TV	NSYPLM64P	NSYPLM64B
747	536	300	-	-	NSYPLM75	NSYPLM75T	NSYPLM75V	NSYPLM75TV	NSYPLM75P	NSYPLM75B
847	636	300	-	-	NSYPLM86	NSYPLM86T	NSYPLM86V	NSYPLM86TV	NSYPLM86P	NSYPLM86B
1056	852	350	-	-	NSYPLM108	NSYPLM108T	-	-	-	NSYPLM108B

Summary guide of the characteristics

References	NSYPLM32	NSYPLM3025	NSYPLM43/54/64/75/86	NSYPLM108
Dimensions (mm)	310 × 215 × 160	308 × 255 × 160	430 × 330 × 200 to 847 × 636 × 300	1056 × 852 × 350
Material	ABS/PC	Polyester	Polyester	Polyester
Degree of protection	IP 66	IP 66	IP 66	IP 66
Impact protection (1)	IK 10	IK 10	IK 10	IK 10
Built-in canopy	Yes	No	Yes	Yes
Lock (2)	1	2	2	1 (4-point closure)
Closing with handle (3)	-	-	1 (3-point closure)	-
Lock outside the sealed area	No	No	Yes	Yes
Door opening	180°	120°	180°	180°
Notches every 25 mm (4)	Yes	No	Yes	Yes
Grid pattern on the back of the door	25 mm	50 mm	25 mm	25 mm

- (1) IK 08 glazed door of the polyester enclosures.
- (2) With double-bar insert.
- (3) Handle with insert for key 1242 E.
- (4) Notches in the rear of the enclosure for quick installation of DIN rails.



Wall-mounting enclosures with polyester mounting plate, machined or not, see customised offer.

Polyester wall-mounting enclosure

Selection guide

Mounting accessories



External dimensions of the enclosures (mm)			Metallic mounting plates				Insulating mounting plates		Modular distribution chassis	Step slides	Symmetrical DIN rail
H	W	D	Plain	Silkscreened	Microperforated	Telequick	Bakelite	Polyester			
			Page 7/2		Page 7/3	Page 7/4	Page 7/5		Page 6/32	Page 6/29	Page 6/29
310	215	160	NSYMM32	-	-	NSYMR32	NSYMB32	NSYMPP32	-	-	NSYCS200PLM
308	255	160	NSYMM3025	-	-	NSYMR3025	NSYMB3025	NSYMPP3025	NSYDLPLM18	-	-
430	330	200	NSYMM43	NSYMS43	NSYMF43	NSYMR43	NSYMB43	NSYMPP43	NSYDLA24	NSYDPLM200	NSYCS300PLM
530	430	200	NSYMM54	NSYMS54	NSYMF54	NSYMR54	NSYMB54	NSYMPP54	NSYDLA48	NSYDPLM200	NSYCS400PLM
647	436	250	NSYMM64	NSYMS46	NSYMF64	NSYMR64	NSYMB64	NSYMPP64	NSYDLA48P	NSYDPLM250	NSYCS400PLM
747	536	300	NSYMM75	NSYMS75	NSYMF75	NSYMR75	NSYMB75	NSYMPP75	NSYDLA66 and NSYDLA88	NSYDPLM300	NSYCS500PLM
847	636	300	NSYMM86	NSYMS86	NSYMF86	NSYMR86	NSYMB86	NSYMPP86	NSYDLA84 and NSYDLA112	NSYDPLM300	NSYCS600PLM
1056	852	350	NSYMM108	-	NSYMF108	NSYMR108	NSYMB108	NSYMPP108	NSYDLA234	NSYDPLM350	NSYCS800PLM

Main accessories



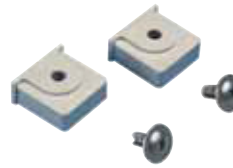
External dimensions (mm)			Fixing lugs	Post-fixing device	Floor-mounting pillar	Coupling frame	Cable-gland plate	Internal door	Blanking plates
H	W	D	Page 6/25	Page 6/25	Page 6/24	Page 6/24	Page 6/24	Page 6/26	Page 6/25
310	215	160	NSYPPFLM32	-	-	-	-	-	NSYCEPLMA
308	255	160	NSYPPFLM	-	-	-	-	NSYPA3025PLM	-
430	330	200	NSYPPFLM	NSYSFP300	-	-	-	NSYPAP43	NSYCEPLMB
530	430	200	NSYPPFLM	NSYSFP400	NSYSFSPLM	-	-	NSYPAP54	NSYCEPLMB
647	436	250	NSYPPFLM	NSYSFP400	NSYSFSPLM	-	-	NSYPAP64	NSYCEPLMC
747	536	300	NSYPPFLM	NSYSFP500	-	NSYBUPLM	NSYTLA4420	NSYPAP75	NSYCEPLMC
847	636	300	NSYPPFLM	NSYSFP600	-	NSYBUPLM	NSYTLA4420	NSYPAP86	NSYCEPLMC
1056	852	350	NSYPPFLM	-	-	NSYBU108PLM	NSYTLA6420	NSYPAP108	-

Water drain plug



Page 6/30

Rail-fixing nuts



Page 6/29

Ventilation louvre



Page 6/30



Coupling accessories

Coupling frame

- Allows the lateral coupling of 2 enclosures.
- Polyester frame, RAL 7032 colour and fixings.
- A built-in sealing gasket guarantees a protection rating of IP 66.

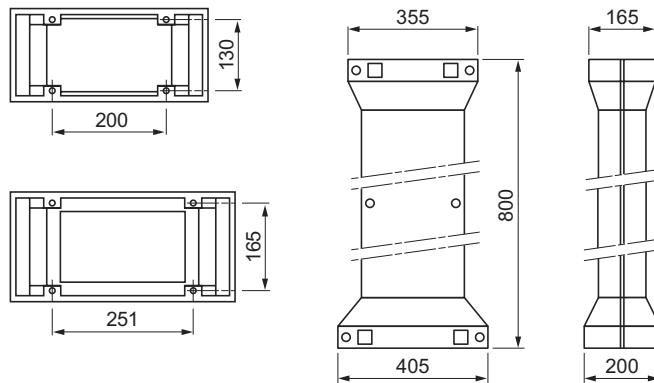
External dimensions (mm)	Entry	For wall-mounting enclosure	References
435 × 185 × 15	398 × 148	NSYPLM75 and NSYPLM86	NSYBUPLM
635 × 185 × 15	598 × 148	NSYPLM108	NSYBU108PLM

Base accessories

Floor-mounting pillar

- To protect cables entering the enclosure in outdoor installations.
- Material: polyester reinforced with fibreglass. RAL 7032 grey colour.
- Delivered with steel frame for secure fixing to the floor.
- Cable entry section: 165 × 100 mm.
- For enclosures ref. **NSYPLM54**, **NSYPLM54T**, **NSYPLM64** and **NSYPLM64T**.

Name	Reference
Floor-mounting pillar	NSYSFSPLM



Cable-entry accessories

Cable-gland plates

- Material: polyester.
- Dimensions: 435 × 185 mm and 635 × 185 mm.

For wall-mounting enclosures	References
NSYPLM75 and NSYPLM86	NSYTLA4420
NSYPLM108	NSYTLA6420



Cable entries
page 7/102

See also
the accessories

Composition accessories

Fixing accessories



The enclosures can be mounted directly on the walls. The seals and caps supplied as standard with the enclosure guarantee that it maintains its degrees of protection and insulation.



Wall-fixing lugs

- Set of 4 wall-fixing lugs.
- Mounted directly on the enclosure, either in horizontal position or in vertical position.
- Available in 2 versions, polyester loaded with fibreglass or stainless steel.
- Delivered with fixings.
- Acceptable load of 300 kg in vertical position and 100 kg in horizontal position.

Material	References
Polyester*	NSYFPPLM
Stainless steel	NSYFPXPLM

*Single reference in polyester, ref. **NSYFPPLM32**, for enclosure ref. **NSYPLM32** and **NSYPLM32T**.



Post-fixing device

- For outdoor installations on a post with a maximum circumference of 675 mm, Ø 215 mm.
- Material: galvanised steel.
- Supply of the rail, the strips and the fixings.
Maximum load: 100 kg.

For wall-mounting enclosure	References
NSYPLM43	NSYSFP300
NSYPLM54 and NSYPLM64	NSYSFP400
NSYPLM75	NSYSFP500
NSYPLM86	NSYSFP600



Blanking plates

- Made from thermoplastic material, they are positioned on the rear surface of the enclosures to block the openings in the corners in order to improve their appearance or prevent the entry of unwanted elements in the ventilation shaft.
- Supplied as standard for enclosure, ref. **NSYPLM108**.

For wall-mounting enclosure	References
NSYPLM32	NSYCEPLMA
NSYPLM43 and NSYPLM54	NSYCEPLMB
NSYPLM64, 75 and 86	NSYCEPLMC

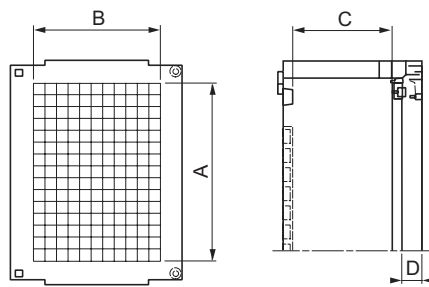
Composition accessories

Door and door accessories



Internal door

- Reversible door made from polyester reinforced with fibreglass, self-extinguishing, RAL 7032 grey.
- Grid pattern with a pitch of 25 mm for easier marking out before drilling.
- Closes with 2 double-bar locks.
- Door handle.
- Delivered with fixings and brass inserts.
- Steel internal door, without grid pattern and locking by a screw, for enclosures ref. **NSYPLM3025**.
- Incompatible with the modular distribution chassis.



For wall-mounting enclosure (mm)		Dimensions (mm)				References
Height	Width	A	B	C	D	
308	255	248	165	62	76	NSYPA3025PLM
430	330	315	205	152	26	NSYPAP43
530	430	415	305	152	26	NSYPAP54
645	435	515	305	194	32	NSYPAP64
745	535	615	405	244	32	NSYPAP75
845	635	715	505	244	32	NSYPAP86
1055	850	850	650	269	37	NSYPAP108

Composition accessories

Locking system



Locks and inserts for enclosures with H ≤ 847 mm

- The ABS/PC 310 × 215 mm enclosure is supplied with a lock with a double-bar insert as standard.
- The 308 × 255 mm enclosure is supplied with two locks with a double-bar insert as standard.
- The polyester enclosures from 430 to 847 mm high are delivered as standard with:
 - 2 locks with double-bar insert, ref. **NSYCDBPLM**.
 - Or a 3-point closure with handle and lock with key 1242 E (enclosures **NSYPLM●●V**).
- Double-bar insert ref. **NSYTDBCRN**, is placed in a rectangular escutcheon.
- A plastic key, ref. **NSYDBP**, enabling the opening of the double-bar insert, is included in the standard supply. This key can be fixed to the double-bar system to remain on the enclosure and be used as a handle.

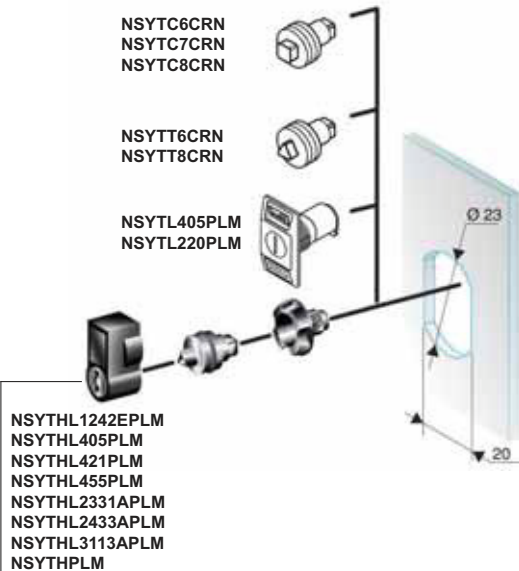
Options to transform the locks with double-bar inserts

- Changing the shape inserts for locks with keys according to the following table:

Name	References
6-mm male square	NSYTC6CRN
7-mm male square	NSYTC7CRN
8-mm male square	NSYTC8CRN
6.5-mm male triangle	NSYTT6CRN
8-mm male triangle	NSYTT8CRN
Lock and key 405	NSYTL405PLM
Lock and key 220	NSYTL220PLM

- Replacement for locking handle with cylindrical barrel, delivered with all the parts required to change the lock.

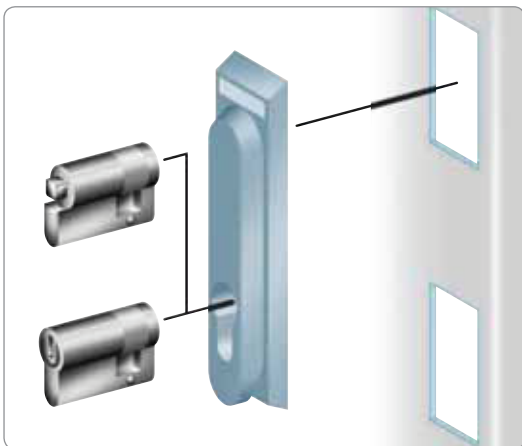
Type of barrel	References
Key 1242 E	NSYTHL1242EPLM
Key 405	NSYTHL405PLM
Key 421	NSYTHL421PLM
Key 455	NSYTHL455PLM
Key 2,331 A	NSYTHL2331APLM
Key 2,433 A	NSYTHL2433APLM
Key 3113 A	NSYTHL3113APLM
Manual	NSYTHPLM



Options to transform versions NSYPLM●●V, with retractable handle and 3-point closure

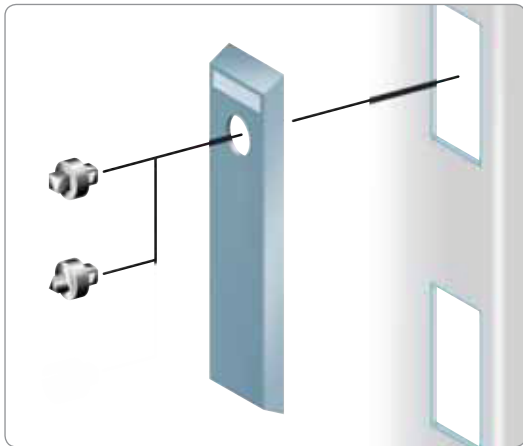
- Transformation of the standard insert (barrel for key 1242E, ref. **NSYTL1242EME**) for other shape inserts or barrels according to the following table:

Name	References
5-mm double bar	NSYTDB5ME
6-mm male square	NSYTC6ME
7-mm male square	NSYTC7ME
8-mm male square	NSYTC8ME
6.5-mm male triangle	NSYTT6ME
8-mm male triangle	NSYTT8ME
Barrel and key 405	NSYTCL405ME
Reinforced key and barrel	NSYTLRME
JIS key and barrel	MSYTLJISME
Manual	MNSYTMME



Composition accessories

Locking system



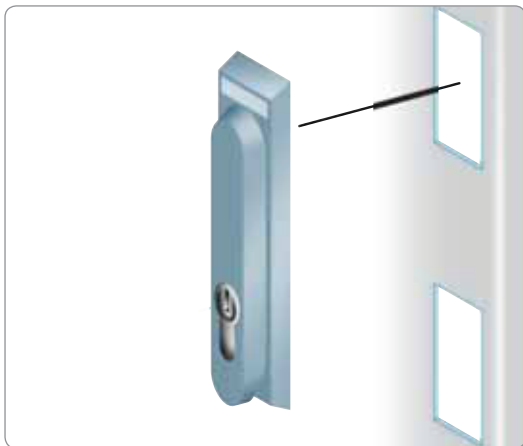
Locks and inserts for enclosures NSYPLM108/T

- Enclosures delivered as standard with 5-mm double-bar insert.
- Insert ref. **NSYTDB5PL**, placed in a long rectangular escutcheon, activates a 4-point closure system.

Options to transform the insert

- The standard insert can be replaced with other shape inserts, according to the following table:

Name	References
6-mm male square	NSYTC6PL
7-mm male square	NSYTC7PL
8-mm male square	NSYTC8PL
6.5-mm male triangle	NSYTT6PL
7-mm male triangle	NSYTT7PL
8-mm male triangle	NSYTT8PL



Options to transform for a retractable handle

- The escutcheon and rosette assembly can be replaced with a lock with retractable handle equipped with inserts or barrels, according to the following table:

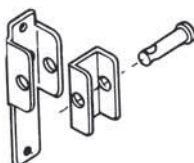
Name	References
5-mm double bar	NSYTDB5PL
6-mm male square	NSYTEC6PL
7-mm male square	NSYTEC7PL
8-mm male square	NSYTEC8PL
6.5-mm male triangle	NSYTET6PL
7-mm male triangle	NSYTET7PL
8-mm male triangle	NSYTET8PL
Lock key 1242 E	NSYTEL1242EPL
Barrel and key 405	NSYTEL405PL
Reinforced key and barrel	NSYTERPL
JIS key and barrel	NSYTELJISPL
FAC key and barrel	NSYTELFACPL
Manual	NSYTEMPL

6



Padlocking accessories

- Padlocking system, ref. **NSYKPLM**, positioned around the rectangular escutcheon of the enclosures with a height of ≤ 847 mm to block access to the lock; for a $\varnothing 9$ mm padlock.



- Padlocking system, ref. **NSYBCPL**, positioned around the long rectangular escutcheon of the enclosures ref. **NSYPLM108/T**, to block access to the lock; for a $\varnothing 9$ mm padlock.



- Padlocking system, ref. **NSYBCME**, to block access to the retractable handle, for the versions **NSYPLM●●V** or optionally for enclosures ref. **NSYPLM108/T**, for a $\varnothing 9$ mm padlock.

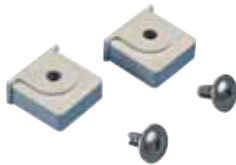
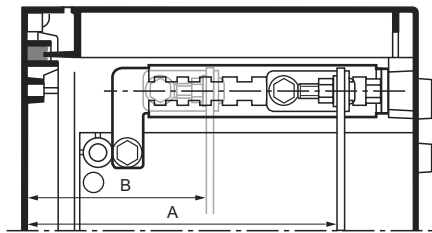


Step slides

For depth adjustment of the mounting plate

- Kit including 4 step slides with brackets, allowing depth adjustment with a pitch of 12.5 mm, and the fixings required for the installation.
- Material: galvanised steel.
- Incompatible with the modular distribution chassis.

For wall-mounting enclosure	Depth adjustment		References	
	Depth (mm)	Dimension A (mm)		Dimension B (mm)
	200	156	94	NSYDPLM200
	250	200	100	NSYDPLM250
	300	250	100	NSYDPLM300
	350	306	106	NSYDPLM350



Plastic nuts for rail fixing

- They slide directly into the notches, with a pitch of 25 mm, which are located on the rear of the enclosures, except enclosure ref. **NSYPLM3025/T**. They allow direct fixing of symmetrical DIN rails by self-tapping screws. Option of raising the rails with an M6 spacer using a plastic nut containing an M6 nut.
- To be ordered in multiples of 20.

Name	References
Plastic nut with self-tapping screw	NSYTCSPML
Plastic nut containing an M6 metal nut	NSYTCSM6PLM



35-mm symmetrical DIN rails

- They are fixed to the rear of the enclosure without uprights, with a pitch of 25 mm for the notches on the rear of the enclosure, with the help of direct-fixing nuts ref. **NSYTCSPML** or **NSYTCSM6PLM**.
- Treated steel.
- To be ordered in multiples of 2.

Rail length (mm)	For wall-mounting enclosure	References
	Width (mm)	
215	180	NSYCS200PLM
330	280	NSYCS300PLM
430 / 435	380	NSYCS400PLM
535	480	NSYCS500PLM
635	580	NSYCS600PLM
850	795	NSYCS800PLM



See also the accessories

Vertical rails page 7/8

Rails page 7/50

Screws page 7/67

Cable management Cable holding page 7/115

Accessories

Diverse



NSYTEX8 NSYTEX6 NSYTEX5

Fixing inserts

- Expanding inserts for addition to the M6 bosses of the enclosure, the M5 or M6 bosses of the door and the M8 bosses of the external rear part of the enclosure.
- M5 and M6 inserts to be ordered in multiples of 20.
- M8 inserts to be ordered in multiples of 8.

Insert size	For wall-mounting enclosure	References
M5	NSYPLM43 and NSYPLM54	NSYTEX5
M6	NSYPLM64 and NSYPLM108	NSYTEX6
M8	For the rear of the enclosure	NSYTEX8



NSYCAG35LP

Ventilation louvres

- They can be positioned inside the wall-mounting enclosures with heights of 430 to 846 mm, allowing ventilation through the channels of the enclosure.
- The IP on the rear of the enclosures is IP 44.
- The reference consists of two ventilation louvres.



Name	Reference
Ventilation louvres	NSYCAG35LP

Ventilation louvres, airing devices with filters, fans and thermal adjustment accessories, see ClimaSys section.



NSYVEA9

Water drain plug

- For drainage of condensation water.
- It is placed in the Ø 9 mm housing at the bottom of the enclosure.
- IP 55.
- To be ordered in multiples of 10.

Name	Reference
Water drain plug	NSYVEA9

Renovation and anti-graffiti paint

- Paint system with 2 components (base 80% + hardener 20%), specially designed for polyester enclosures, for their renovation and/or as prevention to allow easy removal of graffiti.
- The 1 kg reference includes 1 pot with 800 g of base paint and 200 g of hardener. It is enough to paint a surface of around 5 m².
- The 5 kg reference includes 1 pot with 4 kg of base paint and 1 kg of hardener. It is enough to paint a surface of around 25 m².
- RAL 7032 colour.
- Solvent for diluting the paint and cleaning the utensils.



Name	References
Anti-graffiti paint 1 kg	NSYAUPG1
Anti-graffiti paint 5 kg	NSYAUPG5
Anti-graffiti paint solvent 500 g	NSYAUPGS



See also the accessories

Power distribution rails
page 7/125

Lighting
page 7/126

Power distribution accessories

Modular distribution accessories

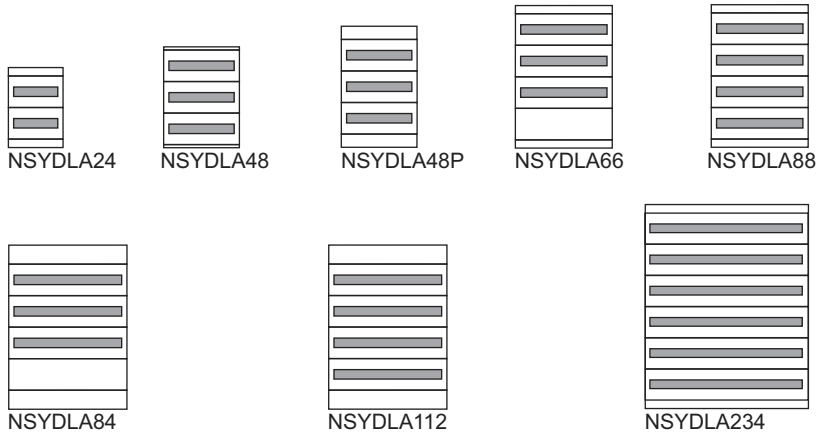


Technical characteristics

Dinimel DLA modular chassis

- Front panels and finish covers, made from self-extinguishing insulating material RAL 7032 colour. Rigid galvanised-steel structure, for the installation of modular devices.
- Open front panels with 35-mm DIN rail and plain front panels with mounting plate, according to the model.
- Quick installation with no fixings.
- Shoulder height adjustable from 40 to 85 mm.
- System for standard circuit marking.
- Incompatible with the internal doors and the step slides.
- Neutral / earth strip: $2 \times 16 \text{ mm}^2 + 5 \times 6 \text{ mm}^2$.

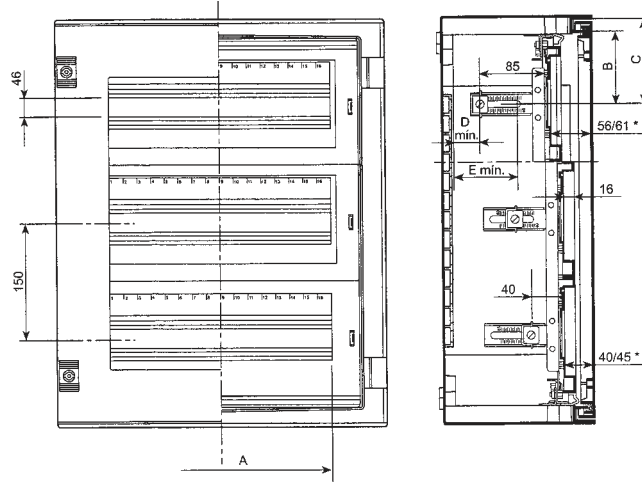
Dimensions (mm)					Distribution rows				For installation in the enclosures		References
A	B	C	D min.	E min.	No. of rows	Support rail		No. of plates	Plain door	Glazed door	
						Amount	Number of 18-mm modules				
216	115	137	38	88	2	2	24	–	NSYPLM43	NSYPLM43T	NSYDLA24
286	90	112	38	88	3	3	48	–	NSYPLM54	NSYPLM54T	NSYDLA48
286	140	170	80	130	3	3	48	–	NSYPLM64	NSYPLM64T	NSYDLA48P
395	115	145	129	179	4	3	66	1	NSYPLM75	NSYPLM75T	NSYDLA66
395	115	145	129	179	4	4	86	–	NSYPLM75	NSYPLM75T	NSYDLA88
504	165	195	129	179	4	3	84	1	NSYPLM86	NSYPLM86T	NSYDLA84
504	165	195	129	179	4	4	112	–	NSYPLM86	NSYPLM86T	NSYDLA112
704	115	146	170	220	6	6	234	–	NSYPLM108	NSYPLM108T	NSYDLA234



Power distribution accessories

Modular distribution accessories

Dimensions (mm)



* Models NSYDLA48P, 66, 88, 84 and 112.



Plain front panels for Dinimel DLA chassis

- Front panel made from RAL 7032 self-extinguishing insulating material for non-modular device protection, on one row.
- To be ordered in multiples of 2.

For installing on the chassis	Width (mm)	References
NSYDLA24	256	NSYCTL300DLA
NSYDLA48 and NSYDLA48P	356	NSYCTL400DLA
NSYDLA66 and NSYDLA88	456	NSYCTL500DLA
NSYDLA84 and NSYDLA112	555	NSYCTL600DLA
NSYDLA234	755	NSYCTL800DLA



Mounting plate for Dinimel DLA chassis

- Galvanised-steel mounting plate for mounting non-modular devices, on one row.
- To be ordered in multiples of 2.

For installing on the chassis	Width (mm)	References
NSYDLA48 and NSYDLA48P	315	NSYPMP400DLA
NSYDLA66 and NSYDLA88	415	NSYPMP500DLA
NSYDLA84 and NSYDLA112	514	NSYPMP600DLA
NSYDLA234	714	NSYPMP800DLA

Modular distribution chassis for enclosure ref. PLM3025/T

- Metal chassis and protective plate in insulating material.
- For mounting modular devices on two rows of nine 18-mm modules.

Name	Reference
Modular distribution chassis	NSYDLPLM18



Modular distribution accessories page 7/73

See also the accessories

Polyester enclosures Installation examples



Outdoor installation, with exposure to atmospheric conditions: mist, solar radiation, extreme temperatures, etc.

Schneider Electric enclosures made from insulating materials are designed to protect your equipment in harsh environments or in contact with the public:

- Infrastructures: protection against bad weather (solar radiation, rain, etc.), impacts, saline atmospheres, etc.
- Transport: resistance to UV, salt mist, tightness and impact resistance, etc.
- Water: resistance to corrosion, resistance to impact and UV, resistance to chemical substances, etc.
- Outdoor telecom and networks: resistance to UV, resistance to corrosion, protection of 19-inch accessories, etc.
- Power: resistance to impact, to salt mist, etc.
- Public lighting: anti-vandalism, anti-posting, UV resistance, etc.
- Industries in aggressive environments: resistance to corrosion, to chemical substances and protection against electrical hazards.



Self-ventilated enclosure with anti-posting doors and canopy.



Indoor or outdoor installation on industrial zones in aggressive environments.

X-ON Electronics

Largest Supplier of Electrical and Electronic Components

Click to view similar products for [schneider manufacturer](#):

Other Similar products are found below :

[LU9M1](#) [7D](#) [7S](#) [7XA1](#) [FNQR2](#) [8501RS44V24](#) [8501RSD14P14V51](#) [8501XO20V03Y414](#) [9001KXRK](#) [9001SKR9P35RH25](#) [9001SKT35L31](#)
[9003K2C003GA](#) [9007AA1](#) [9007BA1](#) [9007C54D](#) [9007C62A2](#) [9007CA11](#) [9007FA3](#) [9007HA4](#) [9007HA6](#) [9007KA1](#) [9007KB11](#)
[9007MS01S0206](#) [9007MS02S0300](#) [9012GAR4](#) [9012GAW2](#) [9012GBW1](#) [9012GDW5E3](#) [9012GFW1](#) [9012GNG1](#) [9012GNG3](#) [9012GNG6](#)
[9013FHG39J69](#) [9013GHG2J30](#) [9050JCK2F30V14](#) [GV2ME04](#) [GV2ME10](#) [GV2ME14](#) [GV2ME20](#) [GV2ME32](#) [GV2P06](#) [GV2P08](#) [GV2P10](#)
[GV2P16](#) [GV2P20](#) [GV2P21](#) [GV2RT07](#) [GV2RT21](#) [GVAD1001](#) [GVAN11](#)