

➤ Simplicity, ergonomics and versatility, it's all in the box.

PB502109



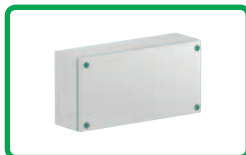
PB502112



Selection

- 3 versions: flat box (SBM), entry box (SBMC) and bus box (SBMB).
- 80 mm and 120 mm depth.
- FL21 cable entries available according to the version.

PB502089



Sturdy and good ingress protection

- Mechanical protection rating up to IK10.
- Ingress protection rating up to IP66.

PB502071



Added value to your work

- Quality and aesthetics.

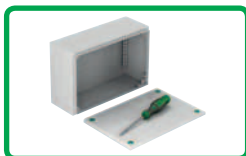
PB502113



Modularity

- 28 sizes available.
- Up to 42 sizes possible thanks to the optional Extension box accessory.

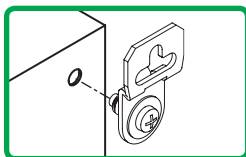
PB502073



Ergonomics

- Cover opening and accessory mounting with just a screwdriver.
- Better accessibility thanks to the Extension box accessory.

DB300090



Easy installation

- Direct fixing through the rear.
- Mounting with versatile external lugs.



Configured

Optimisation of your time with our customisation services which provide the enclosure in your required colour with the cut-outs you want. Please consult us.

Steel industrial boxes

Characteristics



	Spacial SBM Flat box	Spacial SBMC Entry box	Spacial SBMB Bus box
Description	Box with plain faces.	Equipped with two or more FL21 cable gland plates.	Equipped with FL 21 cable gland plates, a hinged cover with a transparent polycarbonate window and a DIN rail.
	<p>Box body Single-piece body (rectangular structure). Front design incorporating folded gutters. Flat rear. 2 (or 3*) drilled profiles for installing mounting plates and DIN rails, with fixing centres of 12.5 mm. 2 or more FL21 cable gland plates(1) for easy drilling and to guarantee the maximum access area, delivered with the enclosure.</p> <p>Box cover Equipped with 2, 4 or 6 half-turn thread screws, according to the version (2) to ensure maximum watertightness. Bus boxes equipped with cover hinges for a comfortable 180° door opening. Polyurethane sealing gasket.</p> <p>Protection of personnel Earth connection mandatory for all boxes: Spacial SBM steel boxes are equipped with a M6 x 16 earth stud welded in the cover, to be linked with the body for equipotential connection. Earth braid to be ordered separately (Ø 6.4 mm terminal).</p>		
Material	Sheet steel		
Finish	Structured		
Colour	RAL 7035 grey		
Ingress protection rating	IP66	IP55	
Mechanical protection rating	IK10		IK08
Standard	Compliance with enclosure standard IEC 62208 and the RoHS directive.		
Certifications	UL, BV, DNV, LR, GL. Nema Type 4, 4X according to UL 508A standard. Fire class: M0.	UL, BV, DNV, LR, GL. Nema Type 12, 12K according to UL 508A standard. Fire class: M0.	
Installation	<p>Outdoor installation Compliant with IEC 62208 regarding type tests specified in §9.12 (resistance to ultra-violet (UV) radiation) and §9.13 (resistance to corrosion). It is always advisable to place the box under shelter to avoid water stagnation on the upper part of the enclosure.</p> <p>Indoor installation Direct wall-mounting (4 x Ø 10 mm holes with sealing plugs to maintain the IP rating) or with the help of fixing lugs installed from the outside (to be ordered separately, see the specific accessory pages). Distance between fixing holes enables the installation of the box in the same locations as many existing enclosures. Marks on the rear of the box locate the fixing points of obsolete Schneider Electric models. Marks on the sides help with drilling the body to install hinges.</p>		
Maximum load	Loading capacity on the body: 50 kg/m ² .		
Other characteristics	<p>Vibration constraints Specific construction of the Spacial SBM - Single-piece body (rectangular structure). The rear is flat without added parts - this ensures compliance with certain vibration constraints. The tests were conducted according to the marine application by "Det Norske Veritas". Boxes labelled "DNV" have undergone these tests and obtained classification "A".</p>		

* 3 profiles for width 800 mm.

(1) Only on Entry boxes and Bus boxes.

(2) 2 for Bus box, 4 for Flat and Entry boxes (6 screws for width greater than 500 mm).

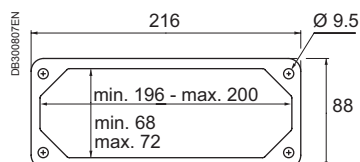
Steel industrial boxes

Dimensions

External dimensions and cable gland plate availability

Box			Extension box	FL21 cable gland*	
Height (mm)	Width (mm)	Depth (mm)	Total depth (mm)	Along Height (mm)	Width (mm)
150	150	80			
		120			
	200	80			
		120			
	300	80			
		120			1+1
400	80				
	120			1+1	
200	200	80	160		
		120	200		
	300	80	160		
		120	200		1+1
	400	80	160		
		120	200		1+1
	500	80	160		
		120	200		
	600	80	160		
		120	200		2+2
800	120			2+2	
300	300	120	200	1+1	1+1
	400	120	200	1+1	1+1
	500	120	200		
	600	120	200	1+1	2+2
	800	120		1+1	2+2
400	400	120		1+1	1+1
	500	120			
	600	120		1+1	2+2
	800	120		1+1	2+2

* Only on SBMB and SBMC boxes.



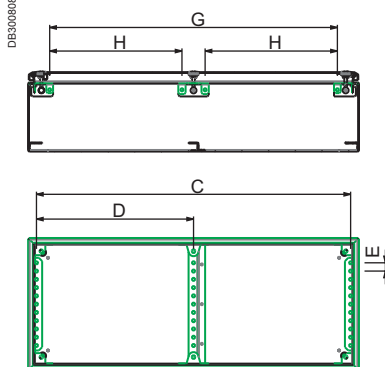
Steel industrial boxes

Dimensions

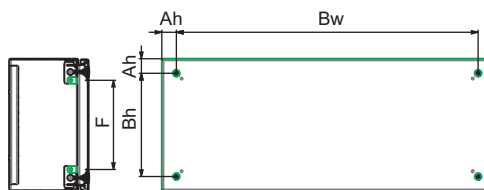
External fixing of the box and mounting accessories

Box		Fixing			Mounting					
Height (mm)	Width (mm)	Ah (mm)	Bh (mm)	Bw (mm)	C (mm)	D (mm)	E (mm)	F (mm)	G (mm)	H (mm)
150	150	22	106	106	125	-	12.5	85	85	-
	200	22	106	156	175	-	12.5	85	135	-
	300	22	106	256	275	-	12.5	85	235	-
	400	22	106	356	375	-	12.5	85	335	-
200	200	22	156	156	175	-	12.5	135	135	-
	300	22	156	256	275	-	12.5	135	235	-
	400	22	156	356	375	-	12.5	135	335	-
	500	22	156	456	475	-	12.5	135	435	200
	600	22	156	556	575	-	12.5	135	535	250
	800	22	156	756	775	387.5	12.5	135	735	350
300	300	22	256	256	275	-	12.5	235	235	-
	400	22	256	356	375	-	12.5	235	335	-
	500	22	256	456	475	-	12.5	235	435	200
	600	22	256	556	575	-	12.5	235	535	250
	800	22	256	756	775	387.5	12.5	235	735	350
400	400	22	356	356	375	-	12.5	335	335	-
	500	22	356	456	475	-	12.5	335	435	200
	600	22	356	556	575	-	12.5	335	535	250
	800	22	356	756	775	387.5	12.5	335	735	350

Section A-A



Section B-B



Steel industrial boxes

Selection guide



Nominal dimensions			Cover screws (4)	Flat box	Entry box	Bus box	Extension box (1)	Mounting plate
Supply			1	1	1	1	1	1
Height (mm)	Width (mm)	Depth (mm)	Qty	SBM	SBMC	SBMB		
150	150	80	4	NSYSBM15158				NSYMM11SB
		120	4	NSYSBM151512				NSYMM11SB
	200	80	4	NSYSBM15208				NSYMM12SB
		120	4	NSYSBM152012				NSYMM12SB
	300	80	4	NSYSBM15308				NSYMM13SB
		120	4	NSYSBM153012	NSYSBMC153012			NSYMM13SB
	400	80	4	NSYSBM15408				NSYMM14SB
		120	4	NSYSBM154012	NSYSBMC154012			NSYMM14SB
200	200	80	4	NSYSBM20208			NSYAES228SB	NSYMM22SB
		120	4	NSYSBM202012			NSYAES228SB	NSYMM22SB
	300	80	4	NSYSBM20308			NSYAES238SB	NSYMM23SB
		120	4	NSYSBM203012	NSYSBMC203012	NSYSBMB203012	NSYAES238SB	NSYMM23SB
	400	80	4	NSYSBM20408			NSYAES248SB	NSYMM24SB
		120	4	NSYSBM204012	NSYSBMC204012	NSYSBMB204012	NSYAES248SB	NSYMM24SB
	500	80	6	NSYSBM20508			NSYAES258SB	NSYMM25SB
		120	6	NSYSBM205012			NSYAES258SB	NSYMM25SB
	600	80	6	NSYSBM20608			NSYAES268SB	NSYMM26SB
		120	6	NSYSBM206012	NSYSBMC206012	NSYSBMB206012	NSYAES268SB	NSYMM26SB
	800	120	6	NSYSBM208012	NSYSBMC208012	NSYSBMB208012		NSYMM28SB
	300	300	120	4	NSYSBM303012	NSYSBMC303012		NSYAES338SB
400		120	4	NSYSBM304012	NSYSBMC304012		NSYAES348SB	NSYMM34SB
500		120	6	NSYSBM305012			NSYAES358SB	NSYMM35SB
600		120	6	NSYSBM306012	NSYSBMC306012		NSYAES368SB	NSYMM36SB
800		120	6	NSYSBM308012	NSYSBMC308012			NSYMM38SB
400	400	120	4	NSYSBM404012	NSYSBMC404012			NSYMM44SB
	500	120	6	NSYSBM405012				NSYMM45SB
	600	120	6	NSYSBM406012	NSYSBMC406012			NSYMM46SB
	800	120	6	NSYSBM408012	NSYSBMC408012			NSYMM48SB

(1) Not compatible with Bus box.
 (2) Standard equipped in Bus box.
 (3) Only compatible with Entry box and Bus box.
 (4) For Bus box, divide by 2.

Steel industrial boxes

Selection guide



	DIN rail (2)	Coupling kit (3)	Post fastening	Fixing lugs	Self-tapping screws	Hinges	Double-bar screw	Triangle screw	Sealing kit
	10	1	1	14	100	6	4	4	1
	NSYAMRD15357SB	NSYAEUBU148	NSYSFPSC15	NSYAEFFFSB	NSYAMFSB	NSYAEDHSB	NSYAEDSBSB	NSYAEDSTSB	NSYPPSB
	NSYAMRD15357SB		NSYSFPSC15						
	NSYAMRD20357SB		NSYSFPSC20						
	NSYAMRD20357SB		NSYSFPSC20						
	NSYAMRD30357SB		NSYSFPSC30						
	NSYAMRD30357SB		NSYSFPSC30						
	NSYAMRD40357SB		NSYSFPSC40						
	NSYAMRD40357SB		NSYSFPSC40						
	NSYAMRD20357SB		NSYSFPSC20						
	NSYAMRD20357SB		NSYSFPSC20						
	NSYAMRD30357SB		NSYSFPSC30						
	NSYAMRD30357SB		NSYSFPSC30						
	NSYAMRD40357SB		NSYSFPSC40						
	NSYAMRD40357SB		NSYSFPSC40						
	NSYAMRD50357SB		NSYSFPSC50						
	NSYAMRD50357SB		NSYSFPSC50						
	NSYAMRD60357SB		NSYSFPSC60						
	NSYAMRD60357SB		NSYSFPSC60						
	NSYAMRD80357SB		NSYSFPSC80						
	NSYAMRD30357SB		NSYSFPSC30						
	NSYAMRD40357SB		NSYSFPSC40						
	NSYAMRD50357SB		NSYSFPSC50						
	NSYAMRD60357SB		NSYSFPSC60						
	NSYAMRD80357SB		NSYSFPSC80						
	NSYAMRD40357SB		NSYSFPSC40						
	NSYAMRD50357SB		NSYSFPSC50						
	NSYAMRD60357SB		NSYSFPSC60						
	NSYAMRD80357SB		NSYSFPSC80						

X-ON Electronics

Largest Supplier of Electrical and Electronic Components

Click to view similar products for [schneider manufacturer](#):

Other Similar products are found below :

[LU9M1](#) [7D](#) [7S](#) [7XA1](#) [FNQR2](#) [8501RS44V24](#) [8501RSD14P14V51](#) [8501XO20V03Y414](#) [9001KXRK](#) [9001SKR9P35RH25](#) [9001SKT35L31](#)
[9003K2C003GA](#) [9007AA1](#) [9007BA1](#) [9007C54D](#) [9007C62A2](#) [9007CA11](#) [9007FA3](#) [9007HA4](#) [9007HA6](#) [9007KA1](#) [9007KB11](#)
[9007MS01S0206](#) [9007MS02S0300](#) [9012GAR4](#) [9012GAW2](#) [9012GBW1](#) [9012GDW5E3](#) [9012GFW1](#) [9012GNG1](#) [9012GNG3](#) [9012GNG6](#)
[9013FHG39J69](#) [9013GHG2J30](#) [9050JCK2F30V14](#) [GV2ME04](#) [GV2ME10](#) [GV2ME14](#) [GV2ME20](#) [GV2ME32](#) [GV2P06](#) [GV2P08](#) [GV2P10](#)
[GV2P16](#) [GV2P20](#) [GV2P21](#) [GV2RT07](#) [GV2RT21](#) [GVAD1001](#) [GVAN11](#)