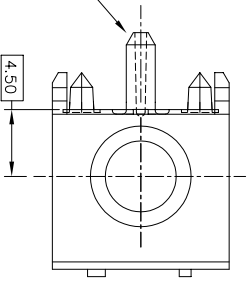
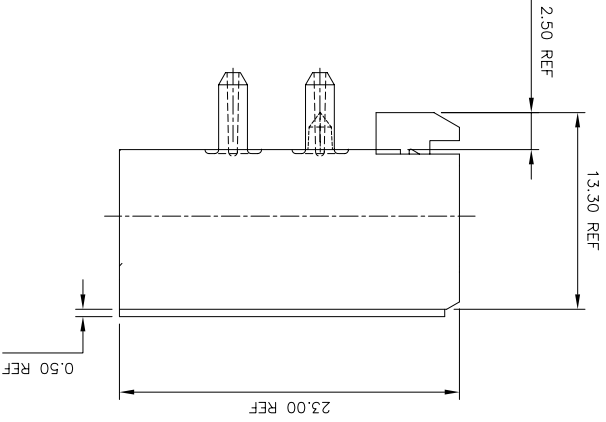
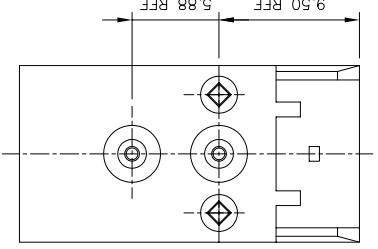
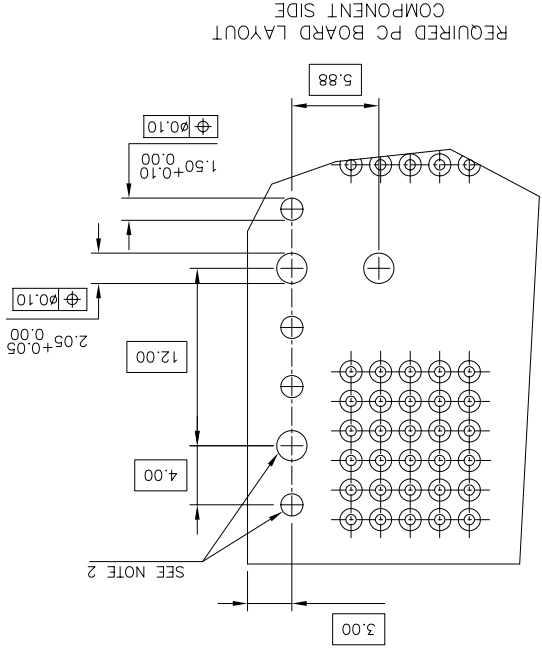


PRODUCT NO.	73474-101	HEAT STAKE VERSION
	73474-101LF	HEAT STAKE VERSION

FRONT VIEW



HEAT-STAKE
PEG VERSION



NOTES:

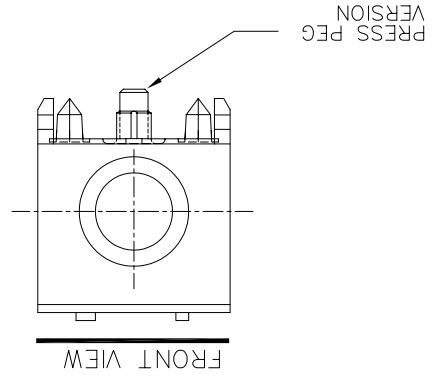
- ① HOUSING MATERIAL: LCP, 30% GLASS FILLED
FLAME RETARDANT PER UL 94V-0.
COLOR: NATURAL
- ② INDICATED HOLES ARE UNPLATED.
3. SEE SHEET 2 FOR PRESS-PEG VERSION.
SEE SHEET 3 FOR SCREW-DOWN VERSION.
4. THE PRODUCTS WHERE THE PART NUMBER
ENDS IN "LF" MEET THE EUROPEAN UNION
DIRECTIVES AND OTHER COUNTRY REGULATIONS
AS DESCRIBED IN GS-22-008.
ALL PRODUCTS WILL WITHSTAND EXPOSURE TO 260°C
FOR 60 SECONDS IN A CONNECTION, INFRA-RED OR
VAPOR PHASE REFLOW OVEN.

mat'l. code	SEE NOTES	surface	ISO 1302	tolerance	ISO 406 ISO 1101	projection	product family	METRAL ACC
ltr	ecn no / dr	date	tolerances unless otherwise specified	angles	lineart	xxxx ±.005/.13	scale 1:1	mm
G	V11668	LSS	6/12/01	xx ±.01/3				
H	V12868	CGD	1/02/02					
J	V05-0007	TAB	3/11/05	0°.z	xxxx ±.020/.050			
K	V05-0223	TAB	3/11/05	dr	M. FETROW	5/19/97	dwg no	73474
L	V05-0730	DAI	8/04/05	engr	C. PENDLETON	5/19/97	sheet 1 of 5 size	A3
M	M05-0231	MHT	10/28/05	chr	C. PENDLETON	5/19/97	type	Product Customer Drawing
N	M06-0286	MNR	7/27/06	appd	C. PENDLETON	5/19/97		

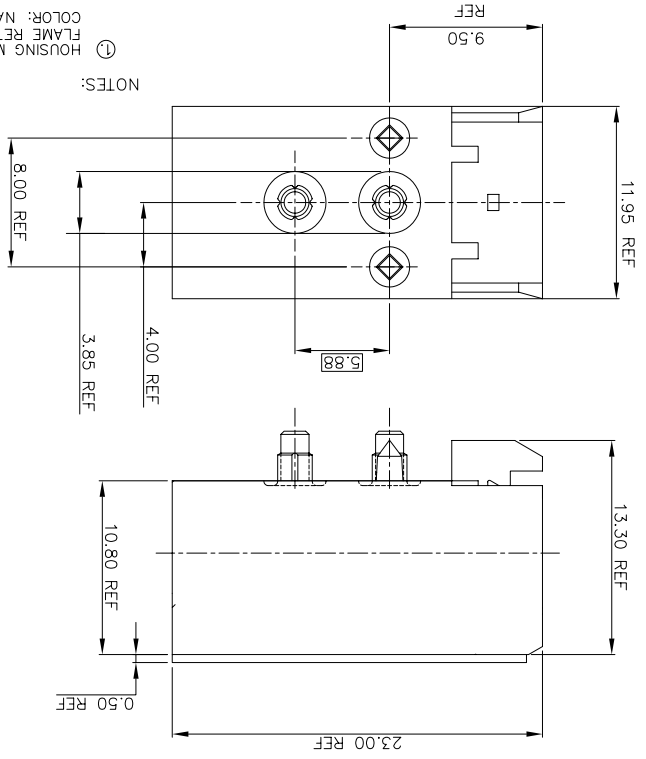
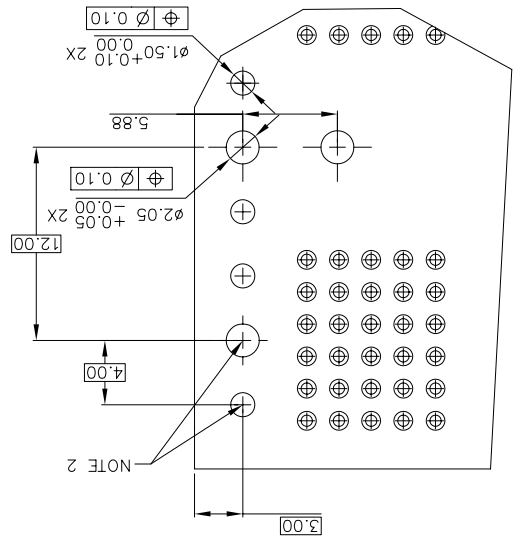
index	sheet	revision	N	N	N	N	N	N	N	N	N	N	N	N	N	N	N	N	N	N
4	3	2	1	2	3	4	5	6	7	8	9	10	11	12	13	14	15	16	17	18

6
D
C
B
A
6
5
4
3
2
1

PRODUCT NO.	DESCRIPTION
73474-201	PRESS-PEG VERSION
73474-201LF	PRESS-PEG VERSION



PRESS PEG VERSION



NOTES:

- ① HOUSING MATERIAL: LCP, 30% GLASS FILLED
FLAME RETARDANT PER UL 94V-0.
COLOR: NATURAL
- ② INDICATED HOLES ARE UNPLATED.
- ③ THIS SHEET SHOWS DIMENSIONS OF OPTIONAL PRESS-PEG ONLY.
FOR ALL OTHER DIMENSIONS AND REQUIREMENTS SEE SHEET 1.
FOR HEAT-STAKE VERSION SEE SHEET 1, FOR SCREW-DOWN
VERSION, SEE SHEET 3.

mat'l. code	SEE NOTES
surface tolerance	ISO 1302
tolerance	ISO 406 ISO 1101
projection	
product family	METRAL ACC
title	RECEPTACLE GUIDE MODULE, 5 ROW
mm	scale 1:1
angles	linear xxx ±.005/.13 o°.z
sheet revision	dr M. FETROW 5/19/97 engr C. PENDLETON 5/19/97 chr C. PENDLETON 5/19/97 appd C. PENDLETON 5/19/97
sheet index	sheet 2 of 5 size A3

6 5 4 3 2 1 6 5 4 3 2 1

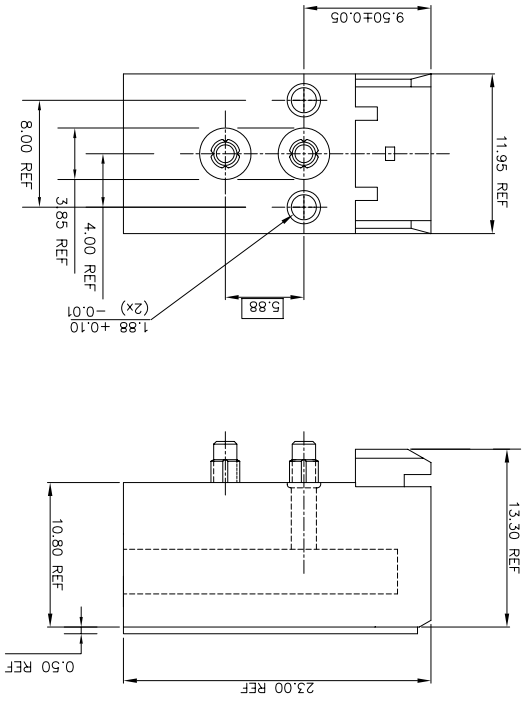
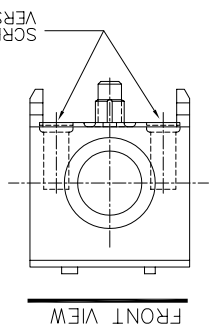
form: A3

Copyright FCI

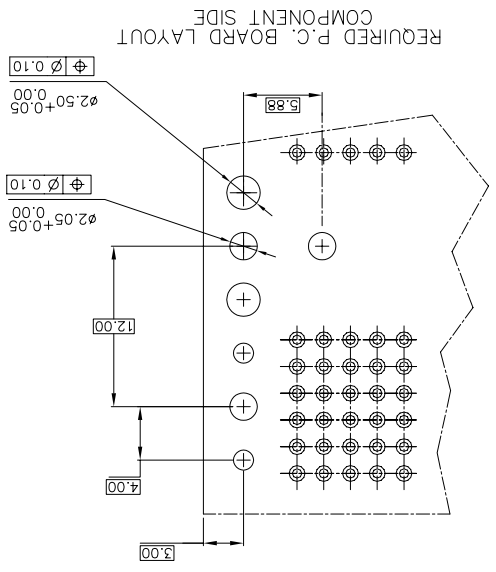
FCIconnect.com

FCI

PRODUCT NO.	DESCRIPTION
73474-301	SCREW DOWN VERSION
73474-301LF	SCREW DOWN VERSION

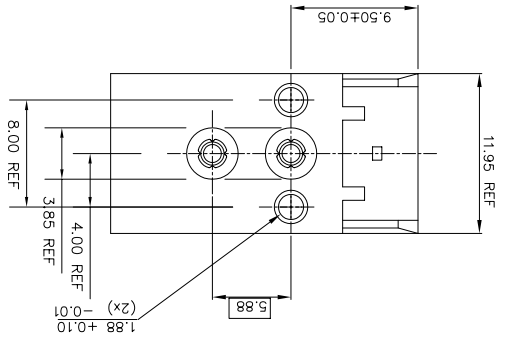
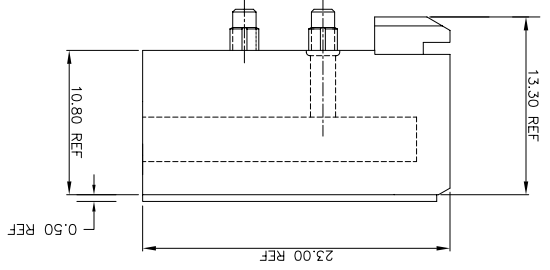
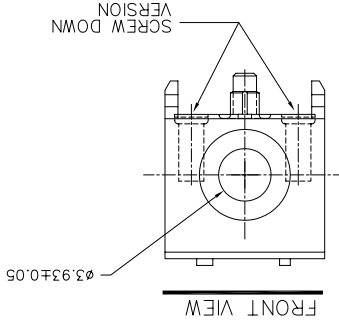


- NOTES:
- HOUSING MATERIAL: LCP, 30% GLASS FILLED
FLAME RETARDANT PER UL 94V-0.
COLOR: NATURAL
 - THIS SHEET SHOWS DIMENSIONS OF OPTIONAL SCREW-DOWN ONLY.
FOR ALL OTHER DIMENSIONS AND REQUIREMENTS SEE SHEET 1.
FOR HEAT-STAKE VERSION SEE SHEET 1, FOR PRESS-PEG,
SEE SHEET 2.
 - TWO MOUNTING SCREWS, P/N 63787-001, OR 63787-001LF FOR
73474-301LF, FOR MAX PCB THICKNESS 2.4mm [0.094"].
P/N 63787-002 OR 63787-002LF FOR 73474-301LF MAX
PCB THICKNESS 3.2mm [0.126"].
MUST BE ORDERED SEPARATELY
 - THE MATING CONNECTOR FOR THIS APPLICATION MUST USE A
WALL-LESS HEADER HOUSING, P/N 63735-101, TO AVOID
INTERFERENCE WITH MOUNTING SCREW HEADS.

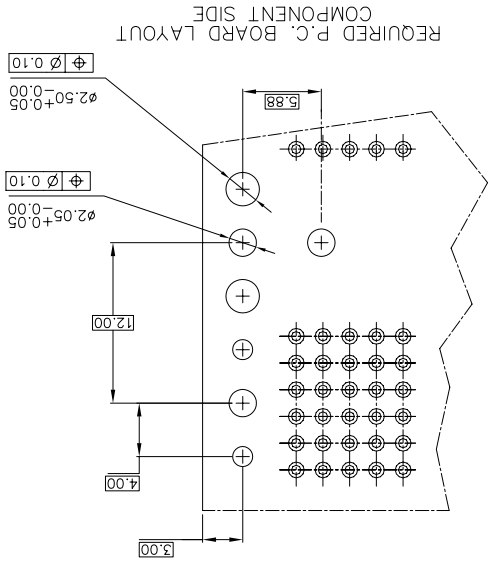


mat'l. code	SEE NOTES
surface tolerance	ISO 1302
projection	ISO 406 ISO 1101
product family	METRAL ACC
title	RECEPTACLE GUIDE
mm	mm
angles	lineart xxx ±.005/.13
o.f.z.	xxxx ±.020/.050
scale	1:1
dwg no	73474
sheet 3 of 5 size	A3
type	Product Customer Drawing
revision	sheet
index	sheet

PRODUCT NO.	DESCRIPTION
73474-302	SCREW DOWN VERSION
73474-302LF	SCREW DOWN VERSION



- NOTES:
- HOUSING MATERIAL: LCP, 30% GLASS FILLED
FLAME RETARDANT PER UL 94V-0.
COLOR: NATURAL
 - THIS SHEET SHOWS DIMENSIONS OF OPTIONAL SCREW-DOWN ONLY.
FOR ALL OTHER DIMENSIONS AND REQUIREMENTS SEE SHEET 1.
FOR HEAT-STAKE VERSION SEE SHEET 1, FOR PRESS-PEG,
SEE SHEET 2.
 - TWO MOUNTING SCREWS, P/N 63787-001, OR 63787-001LF FOR
73474-301LF, FOR MAX PCB THICKNESS 2.4mm [0.094"]
P/N 63787-002 OR 63787-002LF FOR 73474-301LF MAX
PCB THICKNESS 3.2mm [0.126"].
MUST BE ORDERED SEPARATELY
 - THE MAINING CONNECTOR FOR THIS APPLICATION MUST USE A
WALL-LESS HEADER HOUSING, P/N 63735-101, TO AVOID
INTERFERENCE WITH MOUNTING SCREW HEADS.

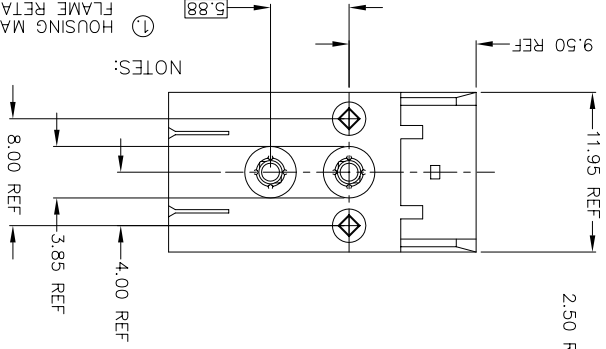
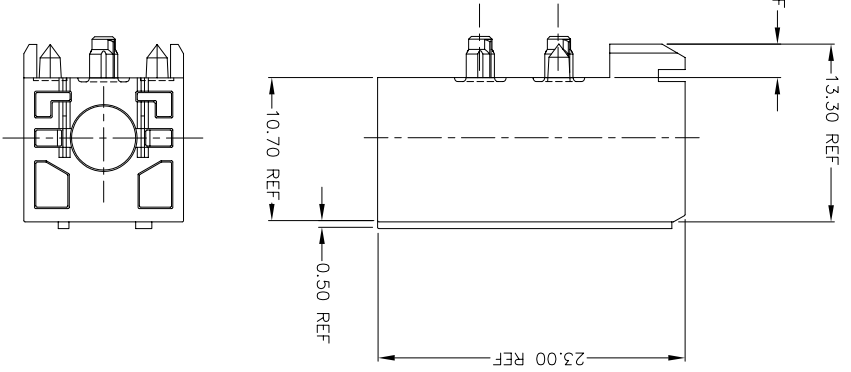
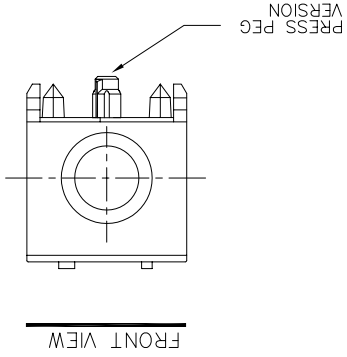


mat'l. code	SEE NOTES
surface tolerance	ISO 1302
projection	ISO 406 ISO 1101
product family	METRAL ACC
title	RECEPTACLE GUIDE MODULE, 5 ROW
mm	mm
angles	inlead xxx ±.005/.13
o.f.z.	xxx ±.020/.050
dr	M. FETROW 5/19/97
eng'r	C. PENDLETON 5/19/97
chr	C. PENDLETON 5/19/97
app'd	C. PENDLETON 5/19/97
sheet revision	revision sheet
index	sheet

dwg no	73474
sheet 4 of 5 size	A3
type	Product Customer Drawing

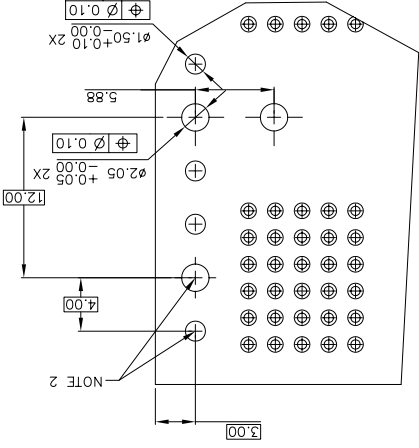


PRODUCT NUMBER	DESCRIPTION
73474-401M	PRESS PEG VERSION
73474-401	PRESS PEG VERSION
73474-401LF	PRESS PEG VERSION



- NOTES:
- HOUSING MATERIAL: LCP, 30% GLASS FILLED
FLAME RETARDANT PER UL 94V-0.
COLOR: NATURAL
 - INDICATED HOLES ARE UNPLATED.

3. THIS SHEET SHOWS DIMENSIONS OF OPTIONAL PRESS-PEG ONLY.
FOR ALL OTHER DIMENSIONS AND REQUIREMENTS SEE SHEET 1.
FOR HEAT-STAKE VERSION SEE SHEET 1, FOR SCREW-DOWN
VERSION, SEE SHEET 3.



matl. code	SEE NOTES	ISO 1302	ISO 406	ISO 1101	tolerance	projection	product family	METRAL ACC	title	RECEPTACLE GUIDE	MODULE, 5 ROW	dwg no	73474	sheets of 5 size	A3	type	Product Customer Drawing
itr ecn no	date	tolerances unless otherwise specified	xx ± 0.1/3	lin ear	xxxx ±.005/.13	scale 1:1											
sheet	revision	dr	M. FETROW	5/19/97													
sheet	revision	appr	C. PENDLETON	5/19/97													
sheet	revision	chr	C. PENDLETON	5/19/97													
sheet	revision	enr	C. PENDLETON	5/19/97													
index	sheet	sheet															

X-ON Electronics

Largest Supplier of Electrical and Electronic Components

Click to view similar products for [High Speed/Modular Connectors](#) category:

Click to view products by [FCT Electronics](#) manufacturer:

Other Similar products are found below :

[2332816-1](#) [89006-1137LF](#) [650827-1](#) [65762-001LF](#) [73474-201LF](#) [74040-1346](#) [74075-0267](#) [88911-201LF](#) [9514M0C20D](#) [1410191-1](#)
[1410337-1](#) [1410368-3](#) [1410964-2](#) [1410326-3](#) [1410367-3](#) [1410971-4](#) [1467833-1](#) [2000877-1](#) [2000878-1](#) [2041314-1](#) [2065387-1](#) [2187307-1](#)
[2187462-1](#) [2226278-6](#) [KA81-07](#) [91290-101LF](#) [1934290-1](#) [2000875-1](#) [2065917-1](#) [2102736-2](#) [FSR-40](#) [2169868-2](#) [2226279-2](#) [22354-8](#) [437-](#)
[5040-000](#) [5-1393565-0](#) [532449-3](#) [532803-2](#) [34745-0001](#) [0740618502](#) [0760151403](#) [0760551105](#) [0760551608](#) [0761451128](#) [0761651124](#)
[0761655108](#) [0761659807](#) [0769853208](#) [0736440217](#) [0758324203](#)