

Thermocouple Terminal Blocks

DIN Rail Mounting and Audit Capable



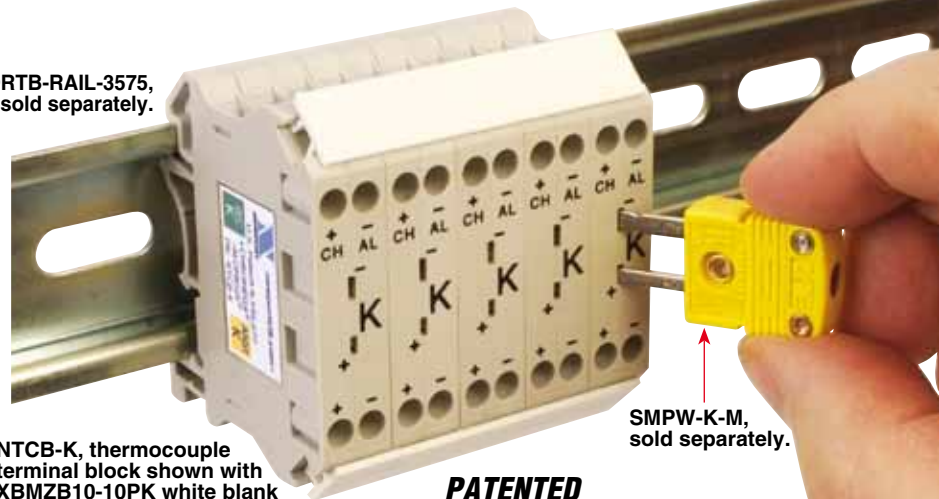
NTCB Series



*Tap Into
Advanced
Connectivity!*

- ✓ Screw Type Terminal for Secure and Maintenance Free Connections
- ✓ Type K, J, T, E, N, R/S and U Calibrations
- ✓ Built-In Miniature Female Thermocouple Connector for Auditing and Troubleshooting
- ✓ Fully Enclosed—No End Plates Required
- ✓ DIN Rail Mountable—Narrow 10.7 mm Width
- ✓ Identified with Calibration and “+,” “-” Connections

DRTB-RAIL-3575, sold separately.



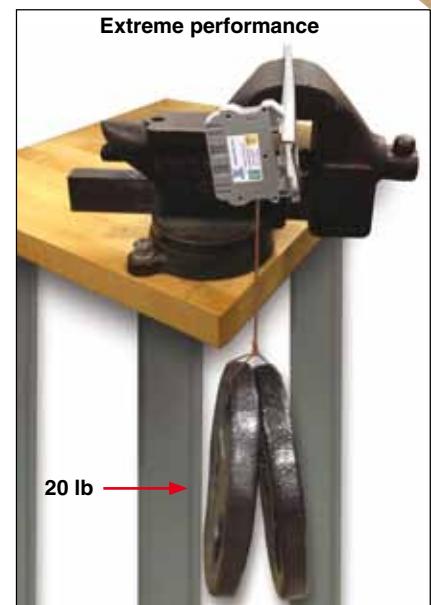
NTCB-K, thermocouple terminal block shown with XBMZB10-10PK white blank marker strip (sold separately).

SMPW-K-M, sold separately.

PATENTED
US Patent No 8,545,277



Shown with RECK1-10 cable, HH806AU data logger/thermometer, with USB interface, and INFT panel meter (inset), sold separately.



Extreme performance

20 lb

The new NTCB Series thermocouple terminal blocks are manufactured with thermocouple-grade alloys to guarantee accurate readings. A built-in SMP-compatible female receptacle accepts a miniature thermocouple connector. The female connector allows the user to connect to a handheld meter for applications such as data collection, quality assurance compliance, capability studies and trouble shooting installation or repairs.

The plastic housing is made from gray polyamide 6.6 thermoplastic

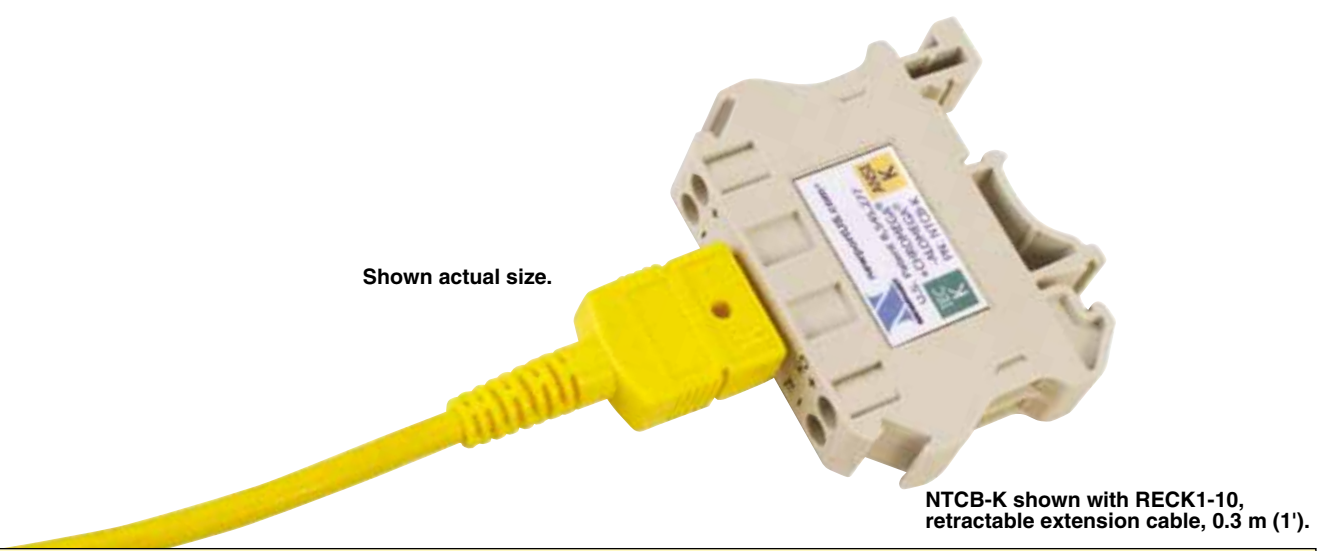
resin with a UL 94 V0 rating for 85°C. These thermocouple terminal blocks are fully enclosed and require no end plates. The screws are stainless steel and captive. The wire clamps are made of tin plated brass. Together they provide an excellent vibration, maintenance free and corrosion resistant connection.

NTCB terminal blocks mount on standard 35 mm DIN rails or 32 mm G-type rails, and are identified with calibration type and positive (+) and negative (-) connections. Wire entry is funneled to allow quick wire insertion even with stranded wire.

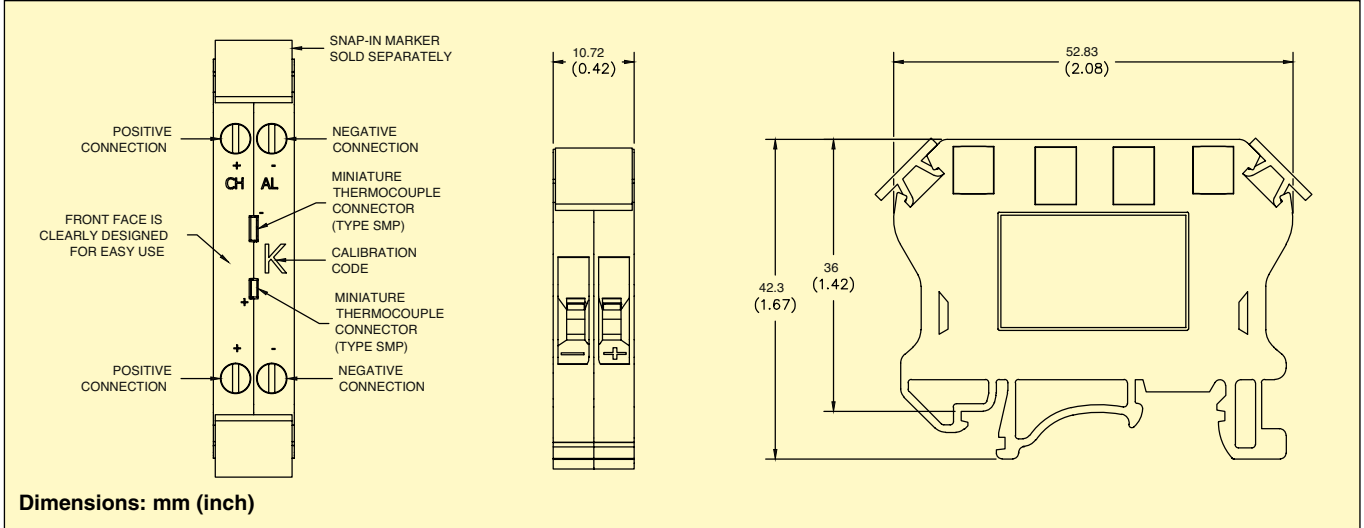
SPECIFICATIONS

- Width:** 10.7 mm (0.422")
- Length/Height:** 52.8 mm (2.08")/42.3 mm (1.666")
- Installed Height to 35 x 7.5 mm/ 35 x 15 mm DIN Rail:** 43.5 mm (1.713")/52.8 mm (2.08")
- Wire Gauge Ranges:** 14-24 solid wire; 16-24 stranded wire
- Maximum Wire Size:** 12 AWG/2.5 mm²
- Wire Strip Length:** 8 mm (0.31")
- Torque in Nm (in-lb):** 0.4 (3.54) ±10%
- Temperature Rating:** -40 to 85°C (-40 to 185°F)

Shown actual size.



NTCB-K shown with RECK1-10, retractable extension cable, 0.3 m (1').



To Order

MODEL NO.	CALIBRATION ALLOY CODE	COMPENSATING ALLOYS	
		+	-
NTCB-K	K	CHROMEGA®	ALOMEGA®
NTCB-T	T	Copper	Constantan
NTCB-J	J	Iron	Constantan
NTCB-E	E	CHROMEGA®	Constantan
NTCB-N	N	OMEGA-P®	OMEGA-N®
NTCB-U	U	Copper	Copper
NTCB-R/S	R/S	Copper	RNX/SNX

ACCESSORIES

MODEL NO.	DESCRIPTION
DRTB-RAIL-3575	DIN rail, 35 x 7.5 mm x 2 m (1.4 x 0.30" x 6.6'), slotted
DRTB-RAIL-3575-1	DIN rail, 35 x 7.5 mm x 1 m (1.4 x 0.30" x 3.3'), slotted
DRTB-RAIL-3515	DIN rail, 35 x 15 mm x 2 m (1.4 x 0.60" x 6.6'), slotted
DRTB-RAIL-3515-1	DIN rail, 35 x 15 mm x 1 m (1.4 x 0.60" x 3.3'), slotted
XBMZB10-10PK	White blank marker strip, pkg of 10 (100 markers)
HH806AU	Thermocouple dual input meter with USB and DC power jack
REC(*)1-10	Retractable extension cable with 2 SMP miniature male connectors, 0.3 m (1') (expands to 1.5 m (5'))
REC(*)4-10	Retractable extension cable with 2 SMP miniature male connectors, 1.2 m (4') (expands to 6.1 m (20'))



(*) Specify thermocouple calibration: J, K, T or E

Ordering Example: NTCB-K, Type K thermocouple terminal block for DIN rail mounting with RECK1-10, Type K, 0.3 m (1') retractable extension cable.

X-ON Electronics

Largest Supplier of Electrical and Electronic Components

Click to view similar products for [newport manufacturer](#):

Other Similar products are found below :

[BDS1](#) [BDT1](#) [WTK-14-36/N](#) [5TC-TT-J-24-72](#) [TXDIN70](#) [OTP-U-F](#) [5SC-TT-K-30-36](#) [WTK-8-24/N](#) [TPJ-U-F](#) [OTP-U-M](#) [5TC-TT-J-24-50/N](#)
[5SC-TT-T-30-72](#) [SMTC-AL-P](#) [SMPW-CC-T-M](#) [MPJ-K-F-ROHS](#)