




## Product information GDM 3009 schwarz/black

Industrial Connecting Solutions:Rectangular Connectors:Valve Connectors (Type A -B -C):Type A:Field Attachable Valve Connectors:Valve Connectors (DIN EN 175 301-803):GDM 3009 schwarz/black  
<http://e-catalog.hirschmann.com/link/57078-24228-256261-256266-256270-276215-24311-34888/en/conf/ui/state>

Name	GDM 3009 schwarz/black
	
	cable socket with central screw M 3 x 35
<b>Delivery informations</b>	
Availability	available
<b>Product description</b>	
Description	cable socket with central screw M 3 x 35
Type	GDM 3009 schwarz/black
Order No.	931 969-100
Other standard types	grey housing, Order no. 931 969-106
Number of contacts	3 + PE
Cable gland	PG 9
Conductor size	max. 1.5 mm <sup>2</sup>
Standard	DIN EN 175 301-803-A
Housing Color	black
Construction type	A
<b>Technical data</b>	
Pin dimensions	6.3 mm x 0.8 mm, 4.8 mm x 0.8 mm
Rated voltage	AC/DC 250 V
Rated current	16 A
Contact resistance	<= 4 mOhm
Type of termination	screw
Suitable cables	4.5 mm to 7 mm diameter
Mounting	central nut
<b>Material</b>	
Contact surface material	Sn
Contact bearer material	PA
Housing material	PA
<b>Environmental conditions</b>	
Protection class (IEC 60529)	IP 65 (gasket necessary)
Pollution severity	3
Temperature range	-40 °C to +125 °C
<b>Inflammability class</b>	
Housing	94 HB
Contact bearer	94 HB
<b>Approvals</b>	
VDE	VDE
SEV	SEV
CSA	CSA
<b>Packing unit</b>	
Packaging unit	200 pieces
<b>Scope of delivery and accessories</b>	
Accessories to order separately	(NBR) flat gasket GDM 3-7, Order no. 730 801-002; (EPDM) flat gasket GDM 3-21, Order no. 731 739-004; profiled gasket GDM 3-16, Order no. 731 531-002; knurled screw GDM 3011-8, Order no. 732 574-001; stainless steel screw GDM 3011 RF-1, Order no. 734 363-001



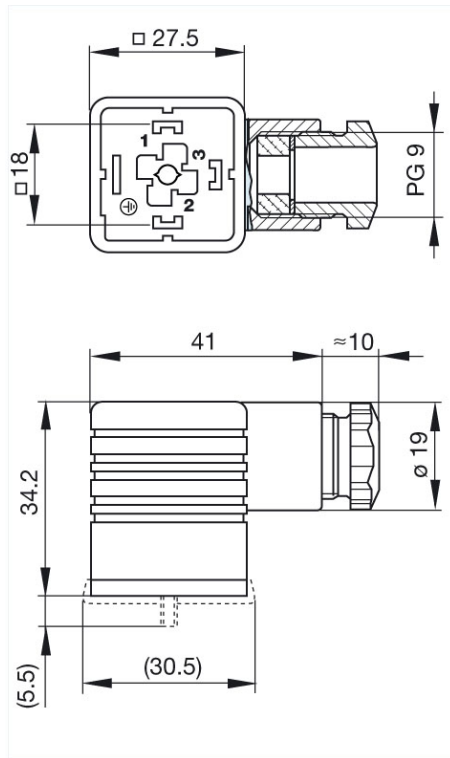
# HIRSCHMANN

A BELDEN BRAND

Industrial Connecting Solutions:Rectangular Connectors:Valve Connectors (Type A -B -C):Type A:Field Attachable Valve Connectors:Valve Connectors (DIN EN 175 301-803):GDM 3009 schwarz/black  
<http://e-catalog.hirschmann.com/link/57078-24228-256261-256266-256270-276215-24311-34888/en/conf/ui/state>

Picture

Drawing



**Belden Deutschland GmbH**

Im Gewerbepark 2  
58579 Schalksmühle  
Germany  
Phone: +49 7127/14-1806  
E-Mail: [icos-sales@belden.com](mailto:icos-sales@belden.com)

The information published in the websites has been compiled as carefully as possible. It is subject to alteration without notice in technical as well as in price-related/commercial respect. The complete information and data were available on user documentation. Mandatory information can only be obtained by a concrete query.

## X-ON Electronics

Largest Supplier of Electrical and Electronic Components

*Click to view similar products for [hirschmann](#) manufacturer:*

Other Similar products are found below :

[931298001 GSP 211 PG11](#) [934828001 BRSCIS 4D/9](#) [AK2B2540I SW](#) [BUELA300KSW](#) [BUELA30KBL](#) [BUELA30KGE](#) [930011200 MAB 6](#)  
[933116100 GSSA 300](#) [AK2BSW](#) [G 30 KW 3 M](#) [BNC-AL0.64](#) [BUELA300KBL](#) [BUELA300KRT](#) [BUELA30KGN](#) [BUELA30KRT](#)  
[934066788](#) [934061103](#) [934059104](#) [972425002](#) [943301-001](#) [934061704](#) [STAK2](#) [AK2B2540I GN](#) [PRUEF1SW](#) [SPIDER-PL-20-](#)  
[05T1999999TZ9HHHH](#) [BAT867-RUSW99AU999AT199L999ZHX](#) [930136106](#) [930317804](#) [934066105](#) [934072100](#) [934076103](#) [934086104](#)  
[934086188](#) [973929000](#) [934157101](#) [930014517 MAS 30](#) [934077106](#) [934077105](#) [934064104](#) [932794001](#) [GECKO 4TX](#) [972309101](#)  
[934100707](#) [975695700](#) [975455709](#) [975455701](#) [973528101](#) [MESAP 43650](#) [KLEPS1600SW](#) [932140100 STAK 3 N SCHWARZ](#)