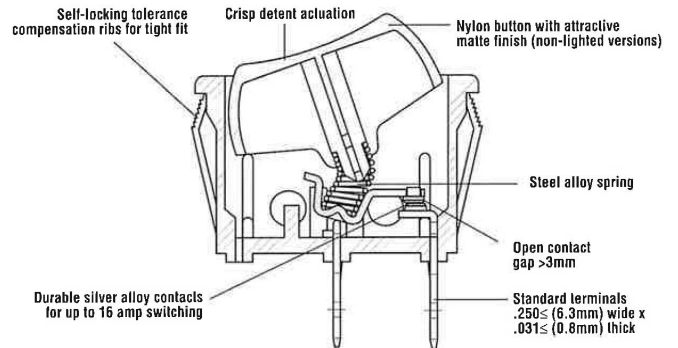


# Single-Pole Rocker Switch TR Series



## Features

- 16A switching in 1mm wide package
- Lighted and non-lighted
- Maintained action and momentary
- Mechanical life: min. 10,000 operations

Electrical Ratings				
Switch Series	EN61058 Rating	UL1054 Rating	Electrical Life at Rated Load	
			According to VDE (Min. Operations)	According to UL (Min. Operations)
TR	16(4)A, 250V~, T85/55	16A, 125/250VAC; 1/4HP, 3/4HP 250VAC	10,000	6,000

Electrical Specifications		Material Specifications	
<b>Ratings:</b>	16A, 125/250VAC; 1/4HP; 3/4HP 250VAC (cULus) 16(4)A, 250V~ T85/55 (VDE)	<b>Actuator (non-lighted):</b>	Nylon 66 94V-2
<b>Dielectric Strength:</b>	1000VAC for 1 minute	<b>(lighted):</b>	Polycarbonate
<b>Insulation Resistance:</b>	100M ohms min at 500VDC	<b>Base:</b>	Nylon 66 94V-2
<b>Initial Contact Resistance:</b>	0.020 ohms max	<b>Spring:</b>	Steel Wire
<b>Temperature Range:</b>	-20°C to + 85°C VDE	<b>Contacts:</b>	Silver Alloy
		<b>Movable Arm:</b>	Silver-Plated Copper Alloy
		<b>Terminals:</b>	Tin-Plated Copper Alloy



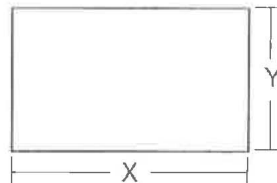
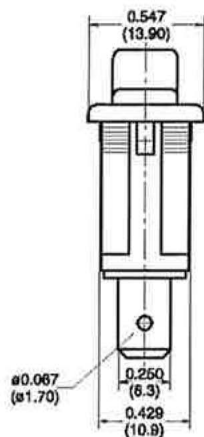
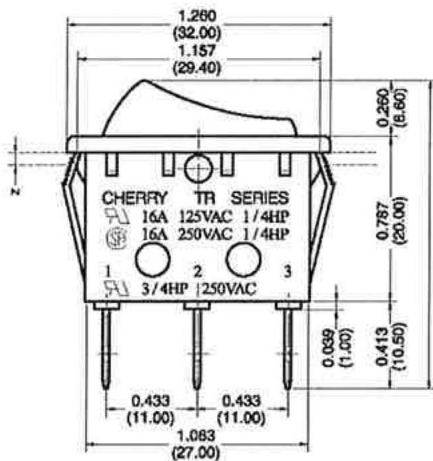
RoHS Compliant  
UL File No: E23301

Specifications subject to change without notice.

# Single-Pole Rocker Switch

# TR Series

Dimensions inches (mm)



Z = Panel Thickness

### Recommended Panel Cut-Out Dimensions inches (mm)

Dim. Z	Dim. X	Dim. Y
0.030 to 0.049 (0.75 to 1.25)	1.19 (30.23)	0.433 (11.00)
0.049 to 0.079 (1.25 to 2.00)	1.20 (30.48)	0.433 (11.00)
0.079 to 0.118 (2.00 to 3.00)	1.21 (30.73)	0.433 (11.00)

## Ordering Information

TR	G	2	
Series	Code	Circuitry	
	2	Single Pole	
Code	Contact Rating		
G	16A 125/250 VAC 1/4HP 3/4HP 250VAC cULus 16(4)A 250V ~ T85/55 VDE		

Code	Switch Function
2	On - Off
3	On - On
5	(On) - Off
6	(On) - On

Code	Actuator Type
2	Curve
5	Flat Actuator

Code	Actuator Marking
B	Blank
C	☐ □ I
D	⊖ ⊕ uO
E	O I
F	O -

Code	Housing Color
B	Black
W	White
Y	Grey
E	Charcoal Grey

Code	Actuator Color
A	Amber
B	Black
G	Green
R	Red
W	White
Y	Grey
E	Charcoal Grey

Code	Lighted
N	Non-Lighted
L	Lighted (Bulb 125VAC)
E	Lighted (Bulb 250VAC)
F	Lighted 6VDC Incandescent
G	Lighted 6VDC Incandescent
H	Lighted 12VDC Incandescent

Code	Terminal type inches (mm)
F	0.250" (6.3) QC

Code	Splashproof
N	No Rocker Boot
S	Rocker Boot

## Examples of Common Part Numbers and Descriptions inches (mm)

Part Number	Circuitry	Switch Function	Terminal Type	Actuator/ Housing Color	Legend Marking
TRG22F2FBBNN		On - Off	0.250 (6.3) Quick-Connect	Black/Black	
TRG23F2BBBNN		On - On	0.250 (6.3) Quick-Connect	Black/Black	
TRG22F2BBBRLN		On - Off/Lighted	0.250 (6.3) Quick-Connect	Red/Black	

Boot #0015-0662

## Contact

Call, fax or visit our Website for more information.

**ZF Electronics Corporation**  
11200 88th Avenue  
Pleasant Prairie, WI 53158

Phone: 262.942.6500  
Web: [www.cherrycorp.com](http://www.cherrycorp.com)  
Email: [cep\\_sales@zf.com](mailto:cep_sales@zf.com)  
Fax: 262.942.6566

The manufacturer accepts no liability for errors or non-availability, and reserves the right to change specifications without prior notice.

Technical data relates to product specifications only. Features may differ from those described. Only drawings combined with product specifications shall be deemed binding.

© 2007 ZF Electronics Corporation

Last Updated: 10/01/12



## X-ON Electronics

Largest Supplier of Electrical and Electronic Components

*Click to view similar products for [Rocker Switches](#) category:*

*Click to view products by [ZF Cherry](#) manufacturer:*

Other Similar products are found below :

[VKD2GHNB-00000-000](#) [VSD2GNNB-00000-000](#) [6-1571986-5](#) [6-1571986-9](#) [632422-4B-KD](#) [7036WWCDBX653+U622](#) [8055K52Z7V](#)  
[8138K20E6M50](#) [FMC18A2200002](#) [84206L](#) [84312LX](#) [PREDD4-07F-BB0FW](#) [PREDD5-07F-BB0GW](#) [PRFDD1-16F-BB000](#) [PRFDD3-16F-](#)  
[BB000](#) [1-1634201-0](#) [999-16702-001](#) [A101J2ZQ004](#) [A101J4ZQ004](#) [A101J51CB0004](#) [A107J51ZQ0004](#) [A201J1AQ004](#) [A201J1AV2Q004](#)  
[A201J3ZB004](#) [A201J50ZQ004](#) [A203J51ZQ0004](#) [A226L11YZQ](#) [A22L11A](#) [A435S1YZQ](#) [H8500XBBBBL-A](#) [H8653VBBG2577W](#)  
[HB130CHNWWNAAC](#) [1251.0303](#) [AE205J60V3B004](#) [RH110C2NBB](#) [1352.0107](#) [1363.0201](#) [AML25GBF2AA03GR](#) [1571099-3](#) [1571987-4](#)  
[1571987-5](#) [1571989-7](#) [B123J77V7B2](#) [B226J50W4Q22P](#) [B433J37ZQ22M](#) [160212E](#) [1801.1164](#) [1831.1102](#) [1833.3402](#) [1837.1118](#)