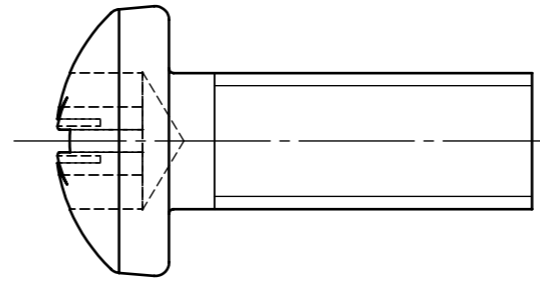
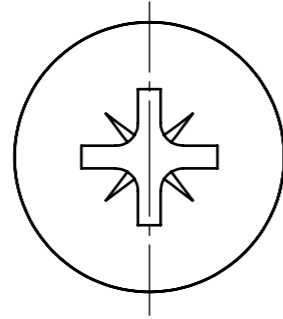


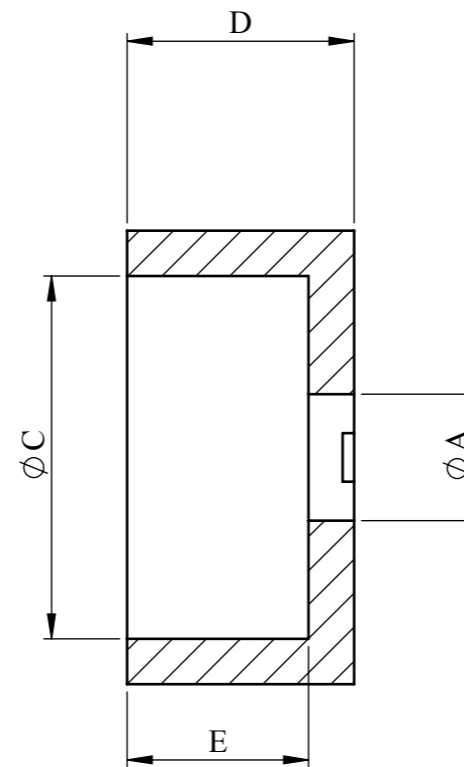
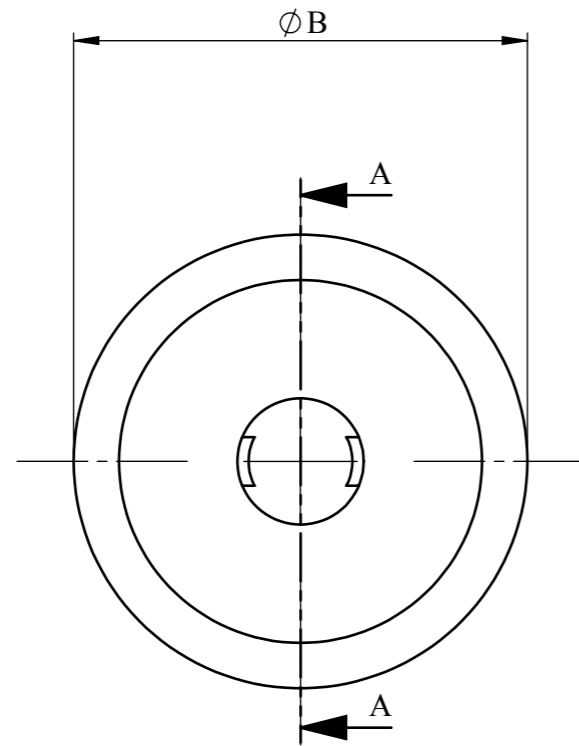
DEBUR AND BREAK SHARP EDGES

DO NOT SCALE DRAWING

REVISION



M6 x 16 M/C SCREW TO DIN 7985



RETAINING CUP WASHER				
A	B	C	D	E
M6	15.00	12.00	4.00	2.70

A

DRAWN 01/07/15

NOTES

SCREW - STEEL 4,8, ZINC & CLEAR  
RETAINING CUP WASHER - PA6 BLACK



DESIGN RIGHT. TR FASTENINGS LTD, 2003  
UNDER NO CIRCUMSTANCES MUST THIS  
DRAWING BE COPIED OR DISCLOSED,  
WITHOUT FIRST OBTAINING WRITTEN  
AUTHORITY.

UNLESS OTHERWISE SPECIFIED:  
DIMENSIONS ARE IN MILLIMETERS  
SURFACE FINISH:  
TOLERANCES:

ISO 2768 m

NAME	DATE
DRAWN MARTIN ELLIOTT	01/07/15
CHK'D	
APPVD	

CUSTOMER PART No

MATERIAL:

SEE NOTES

HEAT TREATMENT

SEE NOTES

FINISH:

SEE NOTES

TITLE:

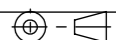
FIXING KIT, PANEL, M6

DWG NO.

TRFAKIT0001

A3

PROJECTION



SHEET 1 OF 1

## X-ON Electronics

Largest Supplier of Electrical and Electronic Components

*Click to view similar products for [tr fastenings manufacturer](#):*

Other Similar products are found below :

[3.030PRST30TC1D](#) [5.020PRST30TC1D](#) [N80.750 PRA2ABS100-](#) [M840 KHHTMCS50-](#) [M830 SOHTCSZ50-](#) [M660 SOHTCSS100-](#) [M620 SOHTCSS100-](#) [M612 KHHTMCZ50-](#) [M610 HHA2SCS100-](#) [M620 KHA2MCS50-](#) [M540 PSSTMCZ100-](#) [M516 PSSTMCZ100-](#) [M525 SOHTCSZ100-](#) [M520 PSSTMCZ100-](#) [M510 KHHTMCZ50-](#) [M4- FABRWAN100-](#) [M440 SOA2CSS50-](#) [M430 SOHTCSZ100-](#) [M3- DNST-Z100-](#) [M26 HSHTPCS25-](#) [M1025 SOHTCSZ50-](#) [TRRLCBSR-7-01](#) [M46PTSTMCZ100-](#) [M412PSSTM CB100-](#) [M6 40 HH88BL Z100](#) [M4 25 M4A2MC S50 BUT T20](#) [M6 16 M4A2MC S50 BUT T30](#) [H0.250 25 M4STPB SF T25](#) [H0.250 M7STPB SF HEX 4.0 W/M8/REDE/OE/ST/KG](#) [W/M6/REDE/OE/ST/PG](#) [W/M5/FLG/CE/ST/KG](#) [N61.250 PRA2ABS100-](#) [M8 8 HSHTKC SF -](#) [N81.250 PRA2ABS100-](#) [TRFAKIT0009](#) [M830 SOHTCSS100-](#) [M820 SOHTCSS100-](#) [M6- N5A4-S50-](#) [M680 SOHTCSS100-](#) [M610 HHHTSCZ100-](#) [M6- DNST-Z100-](#) [M620 PRSTM CB100-](#) [M550 PSSTMCZ100-](#) [M516 PRA2MCS100-](#) [M512 BHHTMCS100-](#) [M530 SOHTCSZ100-](#) [M520 HHHTSCZ100-](#) [M4- DNST-Z100-](#) [M425 PSSTMCZ100-](#)