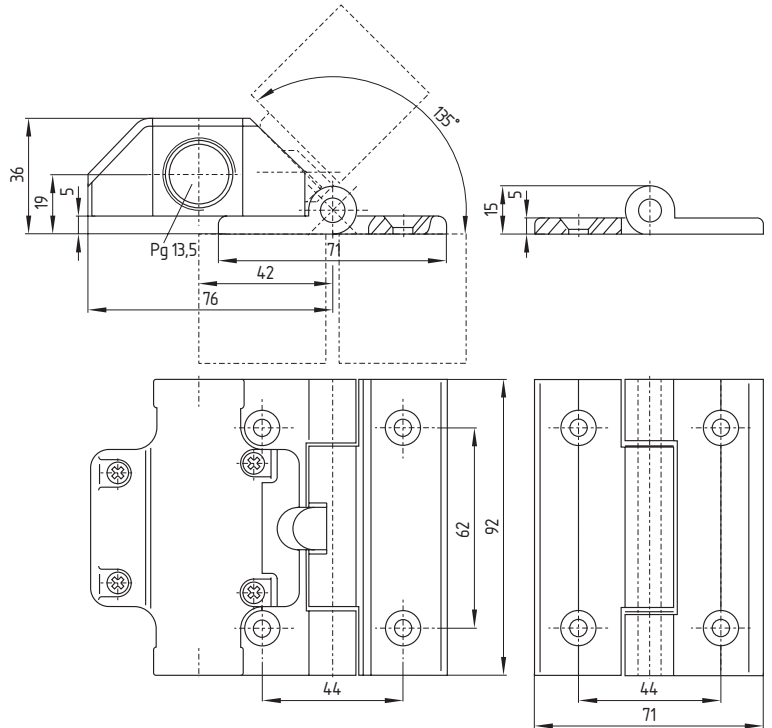


4. Safety switches for hinged safety guards
4.2 Hinge safety switches
4.2.5 TVS 400 range

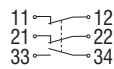


Features

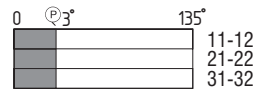
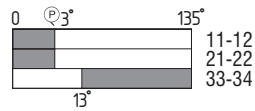
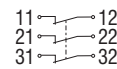
- Thermoplastic enclosure
- Simple mounting, especially on 40 mm profiles
- Good resistance to oil and petroleum spirit
- 2 cable entries
- For doors hinged on left or right-hand side

**Contacts/
Switch travel**

**1 NO
2 NC**



3 NC



With mounting hinge and additional hinge

TVS 400-12/BZ

TVS 400-03/BZ

With mounting hinge, without additional hinge

TVS 400-12/B

TVS 400-03/B

Note

Closed guard device = 0° in contact switch travel diagrams. The opening angle has been set to 3° in factory. Until the limit of the mechanical life has been reached the angle can increase up to 8° under normal wear-out conditions.

Approvals



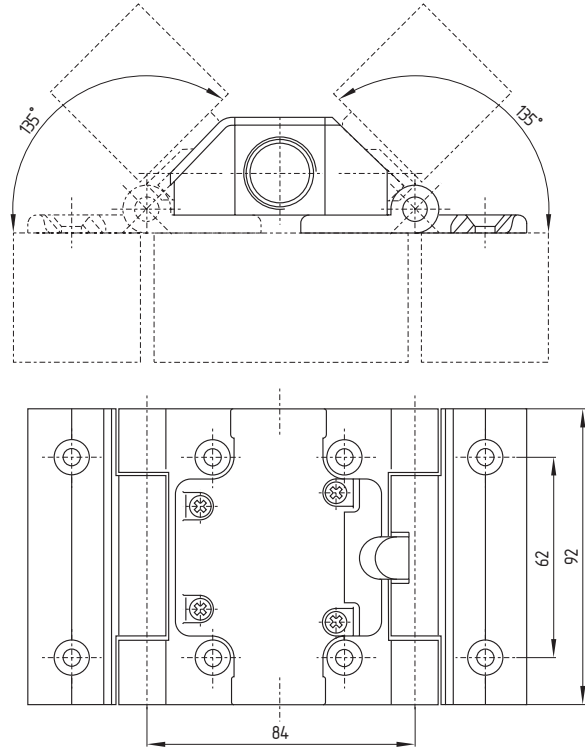
D

4. Safety switches for hinged safety guards
4.2 Hinge safety switches
4.2.5 TVS 400 range



Mounting example

- 2 doors hinged on a central pillar



Info

- The additional hinge including mounting accessories is also available separately, part number Z 400
- Plug connection and mounting kits for profile sections of the most common makes on enquiry

Ordering details

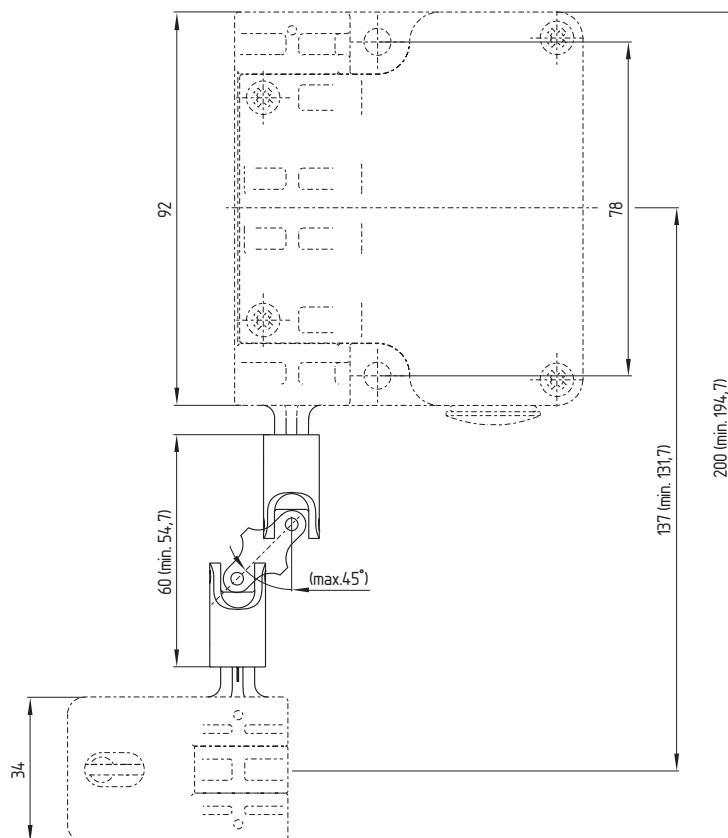
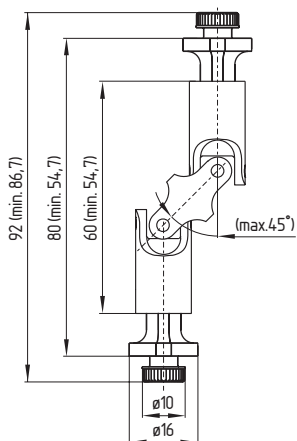
A TVS 400 safety switch with 1 NO and 2 NC contacts with mounting and additional hinge:
TVS 400-12/BZ

4. Safety switches for hinged safety guards
4.2 Hinge safety switches
4.2.7 Accessories



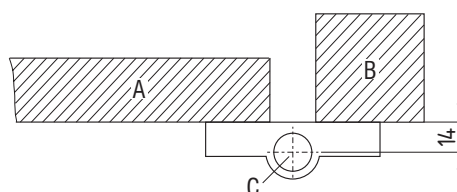
Universal joint K1

- Complete with pins mounted
- Only suitable for TV8S 521



Mounting details

- A = Guard door
- B = Door post
- C = Door hinge
- D = Distance from axis of hinge

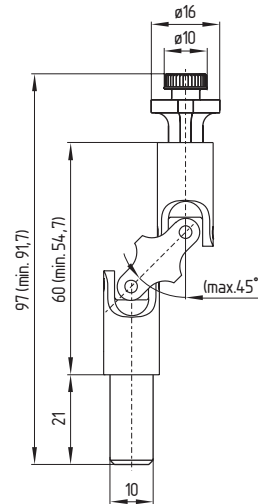


4. Safety switches for hinged safety guards
4.2 Hinge safety switches
4.2.7 Accessories



Universal joint K2

- Factory-mounted pins
- Suitable for ES 95 SB-10mm, EEx 95 SB-10mm, TV10S 335 and TV10S 355
- Suitable only in connection with hinges F and L



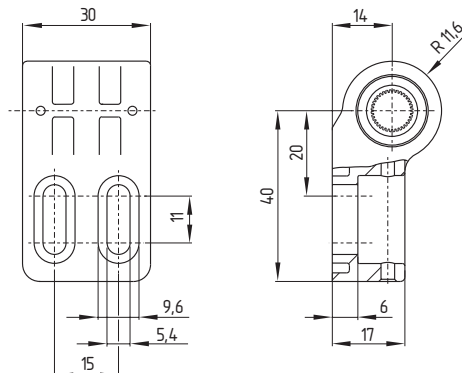
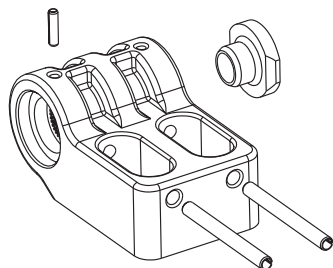
4. Safety switches for hinged safety guards
4.2 Hinge safety switches
4.2.7 Accessories



Fixed hinge F

Included in delivery

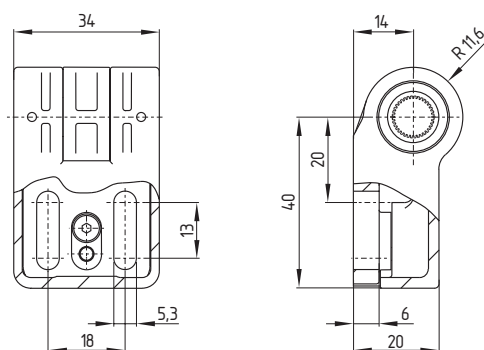
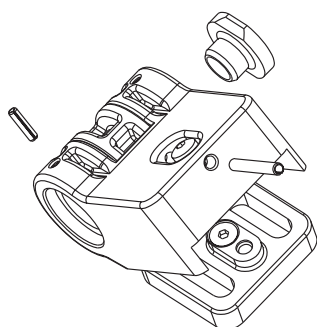
- Locating pins
- One blanking plug
- Two M 5 x 20 screws to ISO 7380



Adjustable hinge L

Included in delivery

- Locating pins
- One blanking plug
- Two M 5 x 20 screws to ISO 7380



4. Safety switches for hinged safety guards

4.3 Technical data

	TV.S 335/355	T.V10S 500	TVS 400	TV8S 521
Standards:	IEC/EN 60947-5-1; EN 1088; BG-GS-ET-15			
Design:	Mounting dimensions to EN 50047			
Enclosure material:	Light-alloy diecasting, enamelled	Light-alloy, enamelled	Glass-fibre reinforced thermoplastic, self-extinguishing	Light-alloy diecasting, enamelled
Protection class:	IP 67		IP 65	IP 67
	to IEC/EN 60529			
Contact material:	Silver			
Contact type:	Change-over with double break Zb or 1 NC or 2 NC, with galvanically separated contact bridges	2 or 3 change-over contacts with double break Zb	Change-over with double break Zb or 3 NC	2 change-over contacts with double break Zb, with galvanically separated contact bridges
Switching system:	⊖ IEC 60947-5-1; ⊕ BG-GS-ET-15; slow action, NC contacts with positive break			
Termination:	Screw terminals for max. 2.5 mm ² cables (incl. conductor ferrules)	Screw terminals for max. 1.5 mm ² cables (incl. conductor ferrules)		
Rated impulse withstand voltage U _{imp} :	6 kV	4 kV	2.5 kV	4 kV
Rated insulation voltage U _i :	500 V	250 V		
Thermal test current I _{th} :	10 A		2.5 A	6 A
Utilisation category:	AC-15; DC-13			
Rated operating current/voltage I _θ /U _θ :	4 A/230 VAC; 2.5 A/400 VAC; 1 A/500 VAC; 1 A/24 VDC		2.5 A/230 VAC; 2 A/250 VAC; 1 A/24 VDC	4 A/230 VAC; 2.5 A/400 VAC; 1 A/500 VAC; 1 A/24 VDC
Max. fuse rating:	6 A (slow blow)		2 A (slow blow)	6 A (slow blow)
Ambient temperature:	- 25 °C ... + 70 °C	- 25 °C ... + 80 °C	- 25 °C ... + 65 °C	- 25 °C ... + 70 °C
Mechanical life:	> 1 million operations	3 million operations	> 1 million operations	
Switching frequency:	Max. 1,000 / h		Max. 1,200 / h	Max. 1,000 / h
Shaft bore:	Ø 8 or 10 mm	Ø 10 mm	-	Inner toothing
Positive break angle:	7°	10°	5°	14°
Positive break torque:	0.23 Nm	1.5 Nm	1 Nm	0.8 Nm



X-ON Electronics

Largest Supplier of Electrical and Electronic Components

Click to view similar products for [schmersal](#) manufacturer:

Other Similar products are found below :

[AZ16ZVRK-M20-2254](#) [AZM170-11ZRK-24VAC/DC](#) [RST260-1](#) [AZM 161SK-12/12RKT-024](#) [ZS236-11Z-M20](#) [AZM 170-11ZRK](#)
[24VAC/DC](#) [AZM 170-11ZRKA 24VAC/DC](#) [AZM 161-B6](#) [AZM300B-ST-1P2P-A](#) [AES1135 \(24VDC\)](#) [EF103.1](#) [AZM 170-02ZRKA-ST](#)
[24VAC/DC](#) [BNS33-11Z-ST](#) [Z4VH336-11Z-M20](#) [RF03](#) [AZM 161SK-12/12RK-110/230](#) [AZ 15/16-B1-2053](#) [AZ 16-02ZVRK](#)
[AZ17/AZM170-B1](#) [TS236-11Z-M20](#) [BNS260-11/01ZG-ST-L](#) [EF220.1](#) [SRB301LC 24VAC/DC](#) [SRB402EM](#) [EL](#) [BPS 16](#) [NDRZ50RT](#)
[AZ/AZM300-B1](#) [SRB301ST-24V-\(V.2\)](#) [ELE](#) [AZM 170-B6](#) [AZ 17-02ZRK](#) [AZM 170-02ZRKA 24 VAC/DC](#) [AZ 16-03ZVRK](#) [AZ16-](#)
[12ZVRK-M20](#) [AZ 17-02ZK](#) [RST16-1](#) [AZ 15/16-B1-1747](#) [BNS 260-02Z-ST-L](#) [RSS260-D-ST](#) [BNS16-12ZV](#) [AZ 17-02ZK-ST](#) [AZ16-](#)
[02ZVRK-M20](#) [AZ 15/16-B3](#) [RSS 36-D-ST](#) [AZ 17-11ZK](#) [EFK03.1](#) [AZ 16-12ZVK](#) [BNS 260-02Z-ST-R](#) [AZM170-02ZRK-24VAC/DC](#)