

DPS Series 480W AC/DC DIN Rail Power Supplies

AC - DC DIN rail mountable
480W power supplies

- Compact design
- High efficiency up to 89%
- PFC function available
- Parallel function available (switch)
- Universal input voltage
- 3 Year warranty



Specificton

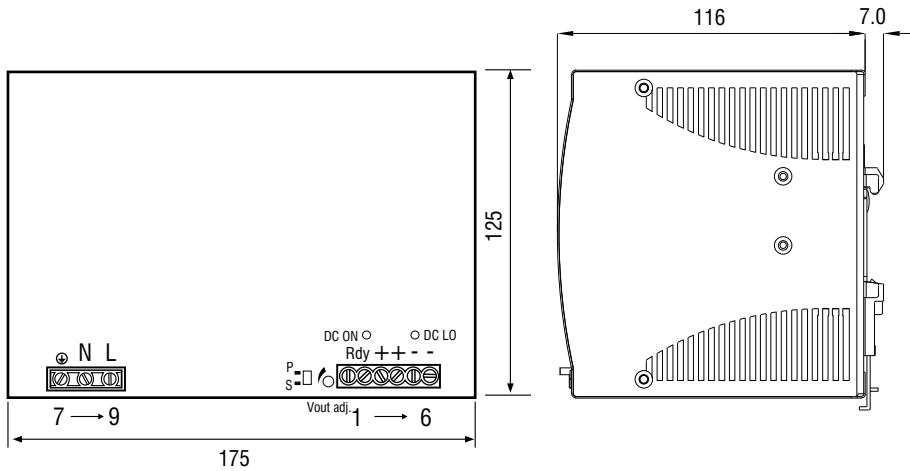
Model	DPS-1-240-24
Input Voltage	90~264VAC
Output Wattage	480W
Output Voltage	24VDC
Output Current	20A
Efficiency (min/typ)	86/89%
General Specification	
Isolation voltage	3000VAC
Isolation resistance	100MΩ @ 500VDC
Ambient temperature	-25 to +71°C
Derating (from 56 to 71°C)	2.5%/°C
Storage temperature	-25 to +85°C
Relative humidity	20 to 95% RH
Cooling	Free air convection
Dimensions	L125 x W175 x D123 mm
Weight	1920g
Case material	Metal

Input Specifications	
Rated input voltage	115/230VAC
Input voltage range	90 to 264VAC (230VAC typ.), 120 to 370VDC
Rated input current	7A @ 115VAC, 3.5A @ 230VAC
Line frequency	47 to 63Hz
Inrush current	25A @ 115VAC, 50A @ 230VAC
PFC	0.99 @ 230VAC
Output Specifications	
Output voltage accuracy	0 to 1% (adjusted pre-shipment)
Minimum load	0%
Line regulation	±0.5%
Load regulation	±0.5% single mode, ±5% parallel mode
Hold up time	30mS
Temperature coefficient	±0.02%/°C
Ripple & noise	100mV
Voltage trim range	22.5 to 28.5VDC
DC ON indicator threshold at start up	17.6 to 19.4VDC
DC LO indicator threshold after start up	17.6 to 19.4VDC
Parallel operation	up to 3 units
Control and Protection	
Input fuse	10A/250VAC internal
Rated over load protection	120 to 140%
Power Rdy	Electrical isolation: 500VDC Threshold volt. contact closed (start up): 17.6 to 19.4VDC Contact rating: 0.3A @ 60VDC
Over voltage protection	30 to 33V
Output short circuit	Continuous current limited
Approvals and Standards	
	CE, UL/cUL

DPS Series 480W AC/DC DIN Rail Power Supplies



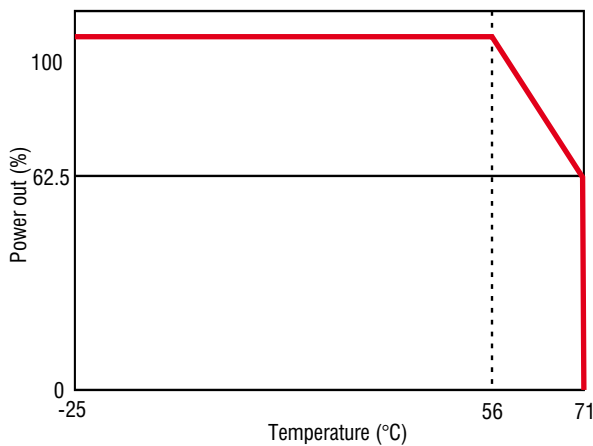
Dimensions (mm)



Pin connections

Key	Description
Rdy(1,2)	DC ON output for relay (24V models only)
+	(3) Positive output terminal
+	(4) Positive output terminal
-	(5) Negative output terminal
-	(6) Negative output terminal
⊕	(7) Ground terminal to minimize high-frequency emissions
N	(8) Input terminals (neutral conductor, no polarity at DC input)
L	(9) Input terminals (phase conductor, no polarity at DC input)
DC ON	Operation indicator LED
DC LO	DC low voltage indicator LED
Vout adj.	Trimmer-potentiometer for Vout adjustment
S/P	Single/Parallel select switch

Derating



Installation

Ventilation/Cooling

Normal convection
All sides 25mm free space for cooling recommended

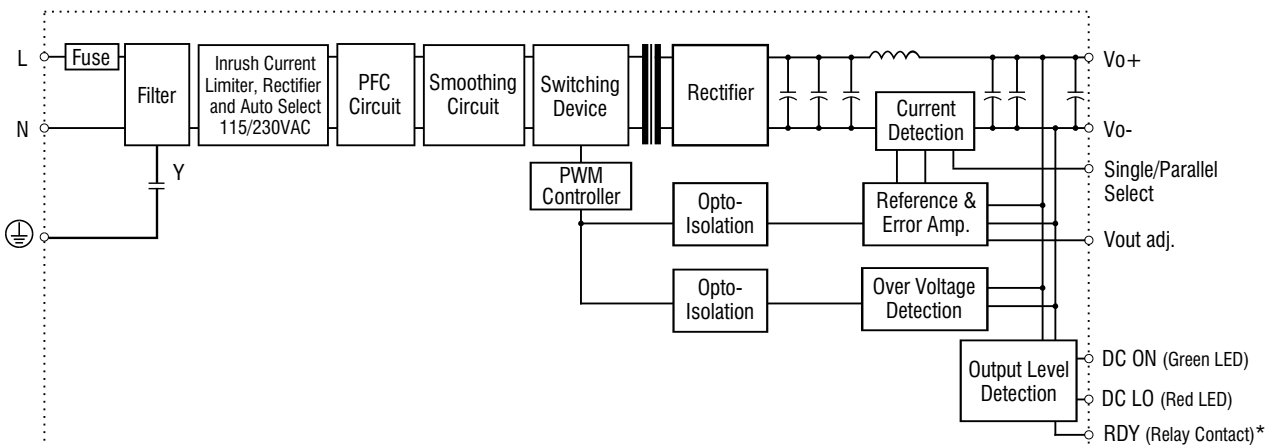
Screw Terminal

10-24AWG flexible/solid cable
Strip cable ends by 8mm

Construction

Easy, safe and secure snap-on, snap-off
DIN-Rail mounting (TS35/7.5 or TS35/15)

Connections



*24V models only

X-ON Electronics

Largest Supplier of Electrical and Electronic Components

Click to view similar products for imo manufacturer:

Other Similar products are found below :

[20.155MV/12-E](#) [MC14N-S-10110AC](#) [DPS-1-030-24](#) [SRF-1C-SL-12VDC](#) [MB09-S-1024](#) [LDC18RRS](#) [SFSYE0111](#) [21.1500M/6-E](#)
[20.3304M/2-E](#) [21.910M/5-E](#) [20.95MA/2-E](#) [21.95MHF/2-E](#) [PE69-4032](#) [DPS-1-060-24](#) [CS20A-A2](#) [CS20A-U1](#) [VFC02](#) [MSSTC11DA06](#)
[20.2500M/4-E](#) [20.95MHF/3-E](#) [B3T10](#) [XKL-040-21](#) [20.3304M/4-E](#) [SRDH-1A-SL-24VDC](#) [20.2500M/5-E](#) [21.155MH/12](#) [SRRHN-2CN-SL-](#)
[12VDC](#) [QYE21XXF24DC](#) [20.920M/5-E](#) [21.1550MF/8-E](#) [20.910M/6-E](#) [20.95MH/3-E](#) [MC10N-S-10110AC](#) [21.95MV/3](#) [MA05-S-01230AC](#)
[SRRHN-2CN-SL-5VDC](#) [LB69-4040](#) [20.3001M/6](#) [SRGA-1A-SL-24VDC](#) [21.1500M/3-E](#) [21.95MHF/6-E](#) [20.95MV/2-E](#) [20.155MV/4-E](#)
[ER2.5BEIGE](#) [20.950M/2-E](#) [MT5 1-50-FAR](#) [BS3P3REDO](#) [MB12-S-10=24](#) [MA05-S-1024DC](#) [20.155MVF/8-E](#)