

NTE5332 & NTE5334 Silicon Bridge Rectifier, 1A

Features:

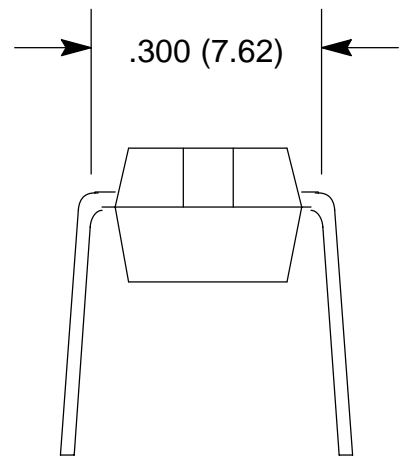
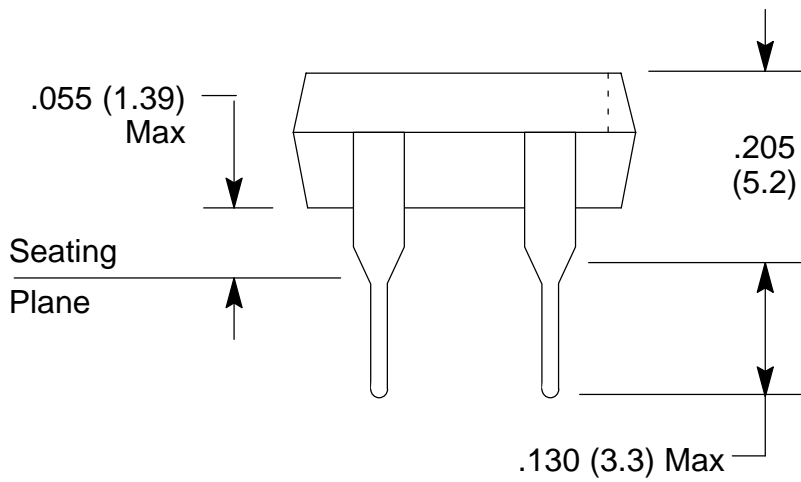
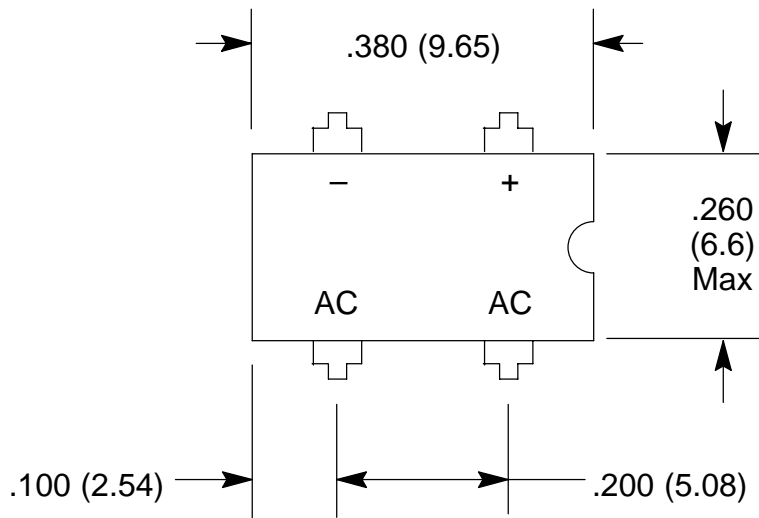
- Glass Passivated Chip Junctions
- Surge Overload Rating: 50A (Peak)
- Ideal for Printed Circuit Board
- High Temperature Soldering Guaranteed: +285°C/10 seconds at 5 lbs., (2.3kg) tension

Maximum Ratings and Electrical Characteristics: ($T_A = +25^\circ\text{C}$ unless otherwise specified, 60Hz, Resistive or Inductive Load.)

Maximum Recurrent Peak Reverse Voltage, V_{RRM}	
NTE5332	600V
NTE5334	1000V
Maximum RMS, V_{RMS}	
NTE5332	420V
NTE5334	700V
Maximum DC Blocking Voltage, V_{DC}	
NTE5332	600V
NTE5334	1000V
Maximum Average Forward Output Rectified Current ($T_A = +40^\circ\text{C}$), $I_{O(AV)}$	1A
Peak Forward Surge Current (Single Sine-Wave Superimposed on Rated Load), I_{FSM}	50A
Rating for Fusing ($t < 8.35\text{ms}$), I^2t	10A ² s
Maximum Instantaneous Forward Voltage Drop (Per element at 1A), V_F	1.2V
Maximum Reverse Current at Rated DC Blocking Voltage Per Element, I_R	
$T_A = +25^\circ\text{C}$	10 μA
$T_A = +125^\circ\text{C}$	500 μA
Typical Junction Capacitance Per Element (Note 1), C_J	25pf
Typical thermal Resistance (Note 2), $R_{\theta JA}$	+40°C/W
Operating Junction Temperature Range, T_J	-65° to +150°C
Storage Temperature Range, T_{stg}	-65° to +150°C

Note 1. Measured at 1.0MHz and applied reverse voltage of 4.0 Volts.

Note 2. Thermal Resistance from Junction to Ambient mounted on P.C. Board with 0.5" x 0.5" (13mm x 13mm) Copper Pads.



X-ON Electronics

Largest Supplier of Electrical and Electronic Components

Click to view similar products for [Bridge Rectifiers](#) category:

Click to view products by [NTE](#) manufacturer:

Other Similar products are found below :

[G3SBA60-E351](#) [GBJ1504-BP](#) [GBU10B-BP](#) [GBU15J-BP](#) [GBU15K-BP](#) [GBU4A-BP](#) [GBU4D-BP](#) [GBU6B-E3/45](#) [GSIB680-E3/45](#) [DB101-BP](#) [DF10SA-E345](#) [RMB2S](#) [RCG](#) [APT30DF100HJ](#) [APT60DF20HJ](#) [B2S-E3/80](#) [BU1506-E351](#) [BU15085S-E345](#) [BU1508-E3/45](#) [BU1510-E3/45](#) [RS404GL-BP](#) [RS405GL-BP](#) [G3SBA20-E3/51](#) [G5SBA20-E3/51](#) [G5SBA60-E3/51](#) [GBJ1502-BP](#) [GBL02-E351](#) [GBL10-E3/45](#) [GBU10J-BP](#) [GBU4J-BP](#) [GBU4K-BP](#) [GBU8B-E3/45](#) [GBU8D-BP](#) [GBU8J-BP](#) [GSIB1520-E3/45](#) [MB1510](#) [MB352W](#) [MB6M-G](#) [B2M-E345](#) [B40C7000A](#) [B500C7000A](#) [MP5010W-BP](#) [MP501W-BP](#) [MP502-BP](#) [BR1005-BP](#) [BR101-BP](#) [BU1006-E345](#) [BU12065S-E3/45](#) [BU1508-E3/51](#) [BU2006-E3/45](#) [BU2008-E345](#)