



ELECTRONICS, INC.
 44 FARRAND STREET
 BLOOMFIELD, NJ 07003
 (973) 748-5089
<http://www.nteinc.com>

NTE541

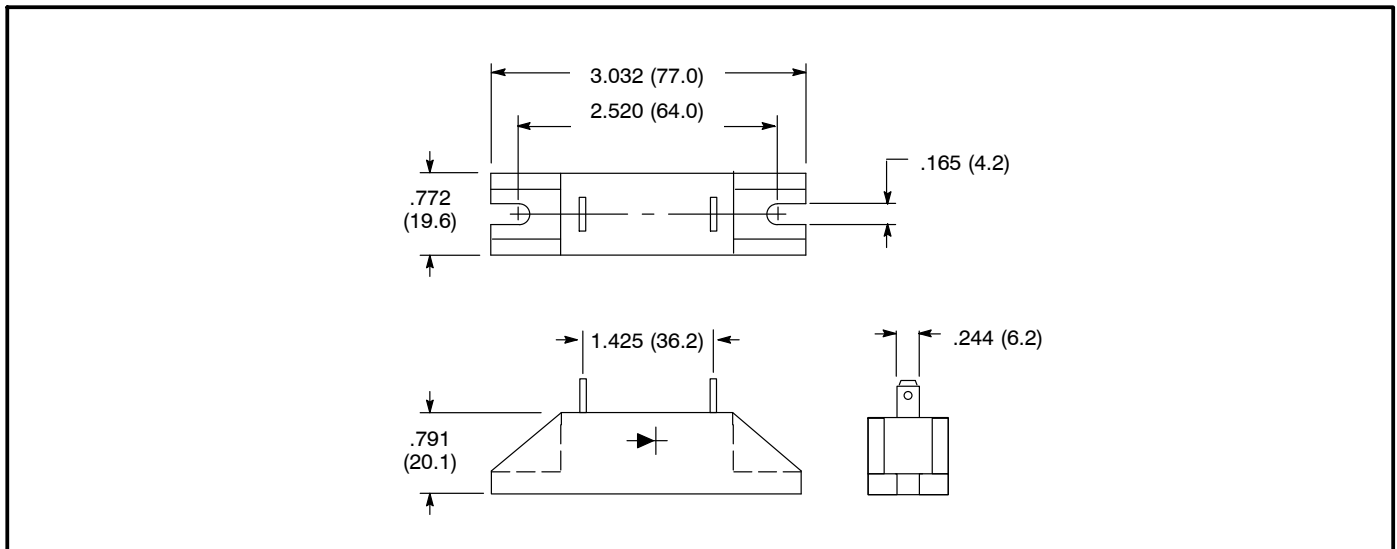
Silicon High Voltage Plastic Rectifier Module for Industrial and Microwave Ovens

Features:

- Low Leakage
- Isolated Case
- Surge Overload Rating: 50A Peak
- Low Forward Voltage Drop

Maximum Ratings and Electrical Characteristics: ($T_A = +25^\circ\text{C}$ unless otherwise specified.)

| | |
|---|---------------------------------------|
| Maximum Peak Reverse Voltage ($I_R = 0.5\mu\text{A}$), V_{RRM} | 12kV |
| Maximum Peak Working Reverse Voltage ($I_R = 0.5\mu\text{A}$), V_{RWM} | 12kV |
| Maximum Non-Repetitive Peak Reverse Voltage ($I_R = 0.5\mu\text{A}$), V_{RSM} | 13.2kV |
| Maximum Average Forward Current (50Hz, $T_A = +50^\circ\text{C}$), I_O | 1.0A |
| Peak Forward Surge Current (50Hz, 0.01S), $I_{FM(\text{Surge})}$ | 50A |
| Maximum Reverse Breakdown Voltage ($I_F = 1.0\text{A}$), V_F | 18V |
| Maximum DC Reverse Current (at Rated Blocking Voltage), I_R | |
| $T_A = +25^\circ\text{C}$ | 5 μA |
| $T_A = +80^\circ\text{C}$ | 50 μA |
| Maximum Junction Temperature, T_J | +120 $^\circ\text{C}$ |
| Storage Temperature Range, T_{stg} | -40 $^\circ$ to +120 $^\circ\text{C}$ |



X-ON Electronics

Largest Supplier of Electrical and Electronic Components

Click to view similar products for [nte manufacturer](#):

Other Similar products are found below :

[747](#) [797](#) [868](#) [1724](#) [NEH680M50FE](#) [NEHH1.0M450CB](#) [NTE48](#) [NTE526A](#) [228A](#) [231](#) [954](#) [2023](#) [510](#) [R04-11A30-120](#) [04-SLPE3750A](#)
[5615](#) [591](#) [7056](#) [NTE5710](#) [7448](#) [NEH.10M50AA](#) [NEH2.2M63AA](#) [NEH330M35DD](#) [NEH33M10AA](#) [NEV.22M100AA](#) [TP0006-100](#)
[NTE182](#) [NTE528](#) [NTE542](#) [NTE74154](#) [04-SCBW25L-BK](#) [04-SCBW32L-BK](#) [04-SCW10C-BK](#) [04-SCBW19L-GR](#) [04-SCW19L-WH](#) [04-](#)
[SCW19L-OR](#) [04-SCW38L-WH](#) [04-SCBW50L-OR](#) [04-SCBW50L-GR](#) [04-SCW10C-GR](#) [04-SCW10C-OR](#) [04-SCBW32L-GR](#) [04-SCBW32L-](#)
[WH](#) [04-SCBW32L-OR](#) [04-SCBW6C-WH](#) [04-SCBW6C-GR](#) [04-SCBW6C-OR](#) [04-SCBW25L-GR](#) [04-SCBW25L-WH](#) [04-ESNF-500L](#)