

Cirrus 25/2



VDE 4000131
UL E216910
CSA 215825



Product Description

The Cirrus 25/2 range of fan heaters uses PTC ceramic heating technology to provide the user with a product ideally suited to climate control. The heater can be controlled independently to the fan, allowing a "fan-only" mode for air circulation.

There are eighteen variants, giving different power and supply voltage capability. The product has been designed, and approved, for build-in applications.

It has a robust construction utilising two anodised aluminium extrusions, coupled to a 25mm fan. The heating element is a DBK PTC heater. For ease of installation the product can be supplied with a factory fitted 35mm DIN-rail mounting clip, and electrical connection is via colour coded stripped end wires. To enable the use of different supply voltages to the fan nominal, Smartcon® is employed within the harness on certain units.

Variants

DBK Part No	Power Output (@ 10°C)	Heater Voltage	Fan Voltage
FGC 0501.2R	20W	12V AC/DC	12V DC
FGC 0502.2R	30W	12V AC/DC	12V DC
FGC 0503.2R	40W	12V AC/DC	12V DC
FGC 0504.2R	20W	115/230V AC	12V DC
FGC 0505.2R	30W	115/230V AC	12V DC
FGC 0506.2R	40W	115/230V AC	12V DC
FGC 0515.2R	20W	12V AC/DC	12V AC*
FGC 0516.2R	30W	12V AC/DC	12V AC*
FGC 0517.2R	40W	12V AC/DC	12V AC*
FGC 0518.2R	20W	115/230V AC	12V AC*
FGC 0519.2R	30W	115/230V AC	12V AC*
FGC 0520.2R	40W	115/230V AC	12V AC*
FGC 0521.2R	10W	24V AC/DC	24V AC/DC*
FGC 0523.2R	30W	24V AC/DC	24V AC/DC*
FGC 0524.2R	40W	24V AC/DC	24V AC/DC*
FGC 0525.2R	20W	115/230V AC	24V AC/DC*
FGC 0526.2R	30W	115/230V AC	24V AC/DC*
FGC 0527.2R	40W	115/230V AC	24V AC/DC*

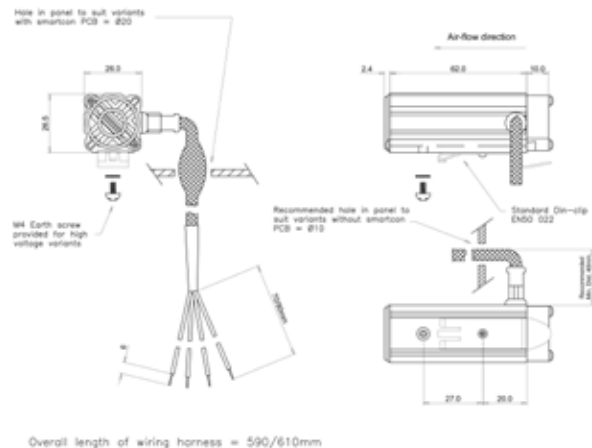
* Use Smartcon ®

Options

DBK Part No	Description	Comments
FGF 01	25mm wire finger guard	Factory fitted at outlet only
FGB 01	35mm DIN clip	Factory fitted

A fan heater ideally suited to climate control

Electrical Connections



Technical Data - Key Characteristics

Nominal Power @ 10° C	10W	20W	30W	40W
Typical max in-rush current (A) RMS @ 12V AC	-	2.5	4	5
Typical max in-rush current (A) RMS @ 24V AC	2.5	-	5.5	9.5
Typical max in-rush current (A) RMS @ 115/230V AC	-	0.5/2.5	1/3.5	1/3.5
Fan volumetric flow (m ³ /hr)	5.1	5.1	5.1	5.1
Fan life time - L10 @ 40°C(Hrs)	120,000	120,000	120,000	120,000
Fan Operating temperature range (°C)	-10 to +70	-10 to +70	-10 to +70	-10 to +70
Nominal input voltage (Fan)	24AC/DC	12DC, 12AC or 24AC/DC	12DC, 12AC or 24AC/DC	12DC, 12AC or 24AC/DC
Nominal input voltage (Heater)	24AC/DC	12AC/DC or 115/230	12AC/DC or 24AC/DC or 115/230	12AC/DC or 24AC/DC or 115/230
Dimensions (mm) - cross section	26x27	26x27	26x27	26x27
Length (mm)	72	72	72	72
Weight (g)	90	90	90	90
Finger guards at outlet (High Voltage Supply)	N/A	Yes	Yes	Yes
Finger guards at outlet (Low Voltage Supply)	Optional	Optional	Optional	Optional

X-ON Electronics

Largest Supplier of Electrical and Electronic Components

Click to view similar products for [dbk technitherm](#) manufacturer:

Other Similar products are found below :

[HP06-2/09-240](#) [372467,01](#) [372834,01](#) [372466,01](#) [372735,01](#) [FINGER GUARD LARG](#) [NG150](#) [370306,01](#) [371061,01](#) [371082,01](#) [NG240](#)
[15697,6](#) [HP04-1/04-24](#) [HP06-2/22-24](#) [NG50](#) [FINGER GUARD SMALL](#) [370089,01](#) [15662](#) [15661,2](#) [NG30](#) [NG100](#) [15696,8](#) [371934,01](#)
[371680,01](#) [HP06-2/13-240](#) [371604,01](#) [370178,01](#) [370184,01](#) [370177,01](#) [370182,01](#) [HP05-1/04-24](#)