

NTE572 Silicon Rectifier General Purpose, Fast Recovery

Features:

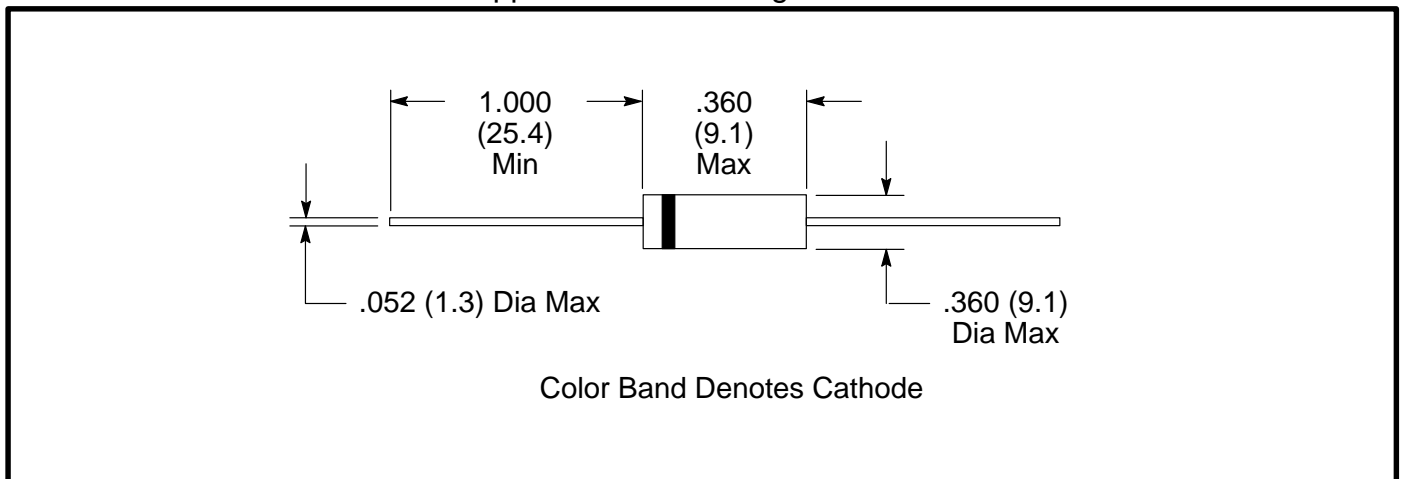
- Fast Switching
- Low Leakage
- Low Forward Voltage Drop
- High Current Capability
- High Current Surge
- High Reliability

Maximum Ratings and Electrical Characteristics: ($T_A = +25^\circ\text{C}$ unless otherwise specified. Single phase, half wave, 60Hz, resistive or inductive load. For capacitive load, derate current by 20%.)

Maximum Recurrent Peak Reverse Voltage	1000V
Maximum RMS Voltage	700V
Maximum DC Blocking Voltage	1000V
Maximum Average Forward Rectified Current (.375" (9.5mm) lead length, $T_A = +55^\circ\text{C}$)	6A
Peak Forward Surge Current (8.3ms single half sine-wave superimposed on rated load) ...	300A
Maximum Instantaneous Forward Voltage ($I_F = 6\text{A DC}$)	1.3V
Maximum DC Reverse Current (At Rated DC Blocking Voltage, $T_A = +25^\circ\text{C}$)	10 μA
Maximum Full Load Reverse Current (Full Cycle Average .375" (9.5mm) lead length, $T_L = +55^\circ\text{C}$)	150 μA
Maximum Reverse Recovery Time (Note 1)	500ns
Typical Junction Capacitance (Note 2)	100pF
Operating Junction Temperature Range, T_J	-65° to $+175^\circ\text{C}$
Storage Temperature Range, T_{stg}	-65° to $+175^\circ\text{C}$

Note 1. Reverse Recovery Test Conditions: $I_F = 500\text{mA}$, $I_R = 1\text{A}$, $I_{RR} = 250\text{mA}$.

Note 2. Measured at 1MHz and applied reverse voltage of 4.0 volts.



X-ON Electronics

Largest Supplier of Electrical and Electronic Components

Click to view similar products for [nte manufacturer](#):

Other Similar products are found below :

[747](#) [797](#) [868](#) [1724](#) [NEH680M50FE](#) [NEHH1.0M450CB](#) [NTE48](#) [NTE526A](#) [228A](#) [231](#) [954](#) [2023](#) [510](#) [R04-11A30-120](#) [04-SLPE3750A](#)
[5615](#) [591](#) [7056](#) [NTE5710](#) [7448](#) [NEH.10M50AA](#) [NEH2.2M63AA](#) [NEH330M35DD](#) [NEH33M10AA](#) [NEV.22M100AA](#) [TP0006-100](#)
[NTE182](#) [NTE528](#) [NTE542](#) [NTE74154](#) [04-SCBW25L-BK](#) [04-SCBW32L-BK](#) [04-SCW10C-BK](#) [04-SCBW19L-GR](#) [04-SCW19L-WH](#) [04-](#)
[SCW19L-OR](#) [04-SCW38L-WH](#) [04-SCBW50L-OR](#) [04-SCBW50L-GR](#) [04-SCW10C-GR](#) [04-SCW10C-OR](#) [04-SCBW32L-GR](#) [04-SCBW32L-](#)
[WH](#) [04-SCBW32L-OR](#) [04-SCBW6C-WH](#) [04-SCBW6C-GR](#) [04-SCBW6C-OR](#) [04-SCBW25L-GR](#) [04-SCBW25L-WH](#) [04-ESNF-500L](#)