



ELECTRONICS, INC.
 44 FARRAND STREET
 BLOOMFIELD, NJ 07003
 (973) 748-5089
<http://www.nteinc.com>

NTE618 Varactor Silicon Tuning Diode for AM Radio

Description:

The NTE618 is a silicon varactor diode with a good linearity and high capacitance ratio that is capable of being operated from a low voltage. This device is intended for use in AM receiver electronic tuning applications.

Features:

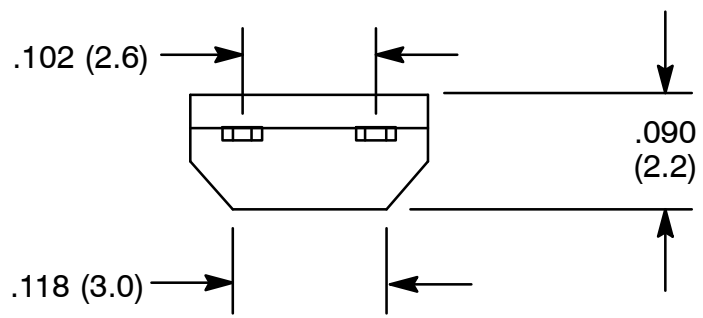
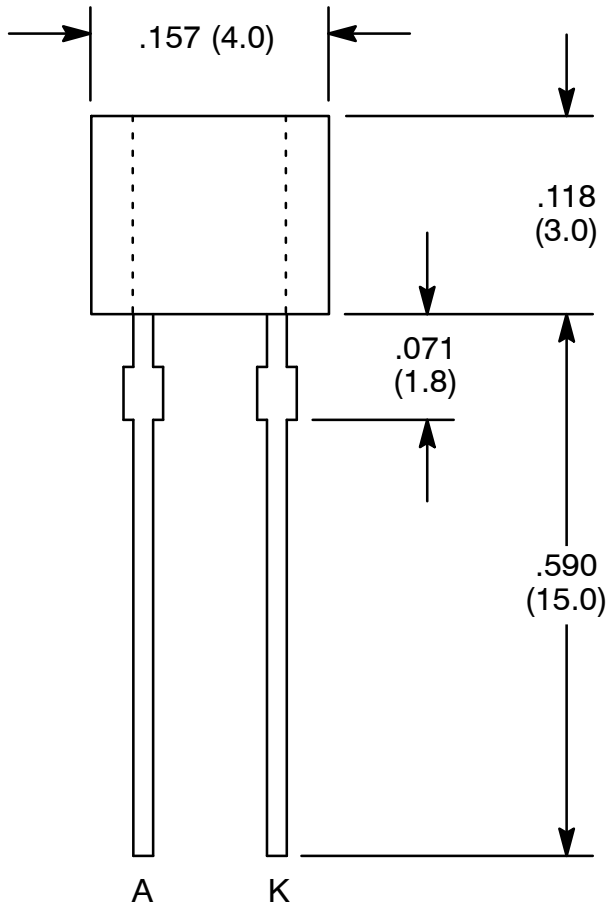
- High Capacitance Ratio: $C_R = 15.5$ (Min)
- Guaranteed Figure of Merit: $Q = 200$ (Min) @ $V_R = 1V, f = 1MHz$

Absolute Maximum Ratings: ($T_A = +25^\circ C$ unless otherwise specified)

Reverse Voltage, V_R 16V
 Operating Junction Temperature, T_J $+100^\circ C$
 Storage Temperature Range, T_{stg} -55° to $+100^\circ C$

Electrical Characteristics: ($T_A = +25^\circ C$ unless otherwise specified)

Parameter	Symbol	Test Conditions	Min	Typ	Max	Unit
Breakdown Voltage	$V_{(BR)R}$	$I_R = 10\mu A$	16	-	-	V
Reverse Current	I_R	$V_R = 9V$	-	-	100	nA
Interterminal Capacitance	$C_{1.2V}$	$V_R = 1.2V, f = 1MHz$	420.0	-	459.1	pF
	$C_{3.5V}$	$V_R = 3.5V, f = 1MHz$	144.2	-	192.1	pF
	$C_{6.0V}$	$V_R = 6.0V, f = 1MHz$	45.71	-	60.91	pF
	$C_{8.0V}$	$V_R = 8.0V, f = 1MHz$	20.30	-	23.54	pF
Figure of Merit	Q	$V_R = 1V, f = 1MHz$	200	-	-	
Capacitance Ratio	C_R	$C_{1.2V}/C_{8.0V}, f = 1MHz$	15.5	-	-	
matching Tolerance	ΔC_m	$(C_{max} - C_{min})/C_{min}$	-	-	0.03	



X-ON Electronics

Largest Supplier of Electrical and Electronic Components

Click to view similar products for [nte manufacturer](#):

Other Similar products are found below :

[747](#) [797](#) [868](#) [1724](#) [NEH680M50FE](#) [NEHH1.0M450CB](#) [NTE48](#) [NTE526A](#) [228A](#) [231](#) [954](#) [2023](#) [510](#) [R04-11A30-120](#) [04-SLPE3750A](#)
[5615](#) [591](#) [7056](#) [NTE5710](#) [7448](#) [NEH.10M50AA](#) [NEH2.2M63AA](#) [NEH330M35DD](#) [NEH33M10AA](#) [NEV.22M100AA](#) [TP0006-100](#)
[NTE182](#) [NTE528](#) [NTE542](#) [NTE74154](#) [04-SCBW25L-BK](#) [04-SCBW32L-BK](#) [04-SCW10C-BK](#) [04-SCBW19L-GR](#) [04-SCW19L-WH](#) [04-](#)
[SCW19L-OR](#) [04-SCW38L-WH](#) [04-SCBW50L-OR](#) [04-SCBW50L-GR](#) [04-SCW10C-GR](#) [04-SCW10C-OR](#) [04-SCBW32L-GR](#) [04-SCBW32L-](#)
[WH](#) [04-SCBW32L-OR](#) [04-SCBW6C-WH](#) [04-SCBW6C-GR](#) [04-SCBW6C-OR](#) [04-SCBW25L-GR](#) [04-SCBW25L-WH](#) [04-ESNF-500L](#)