

**RoHS Compliant  
Pb - Lead Free**

Ltr	Revisions	Date	Appr

**Electrical Specifications:**

<b>Frequency Range</b>		<b>16.000 to 50.000</b>	<b>MHz</b>
<b>Mode of Oscillation</b>	<b>Fundamental</b>	<b>16.000 to 50.000</b>	
<b>Frequency Tolerance at 25°C</b>	<b>Standard</b>	<b>±30</b>	<b>PPM Max (Note 1)</b>
	<b>Optional</b>	<b>±25</b>	
		<b>±20</b>	
		<b>±15</b>	
		<b>±10</b>	
<b>Frequency Stability over Temperature Range</b>	<b>Standard</b>	<b>±50</b>	<b>PPM Max (Note 1)</b>
	<b>Optional</b>	<b>±30</b>	
		<b>±25</b>	
		<b>±20</b>	
		<b>±15</b>	
<b>Operating Temperature Range</b>	<b>Standard</b>	<b>-10 to +70</b>	<b>° C</b>
	<b>Extended</b>	<b>-40 to +85</b>	
<b>Storage Temperature Range</b>		<b>-55 to +125</b>	
<b>Aging per Year</b>		<b>±3</b>	<b>PPM Max</b>
<b>Load Capacitance</b>		<b>7 to 32 and Series Resonance</b>	<b>pF</b>
<b>Shunt Capacitance</b>		<b>5.0</b>	
<b>Equivalent Series Resistance (ESR)</b>		<b>See ESR Table</b>	<b>Ohms</b>
<b>Drive Level</b>		<b>100</b>	<b>uW Typ</b>

**Frequency Range and ESR Values:**

Frequency Range in MHz	ESR Ohm Max	Mode of Operation
<b>16.000 to 29.999</b>	<b>100</b>	<b>Fundamental</b>
<b>30.000 to 50.000</b>	<b>70</b>	<b>Fundamental</b>



11-3 Chien-Kuo Rd T.E.P.Z. 4027 Taiwan, ROC

All dimensions are millimeters.

CAD: TCR

Review: EG

Appr: JL

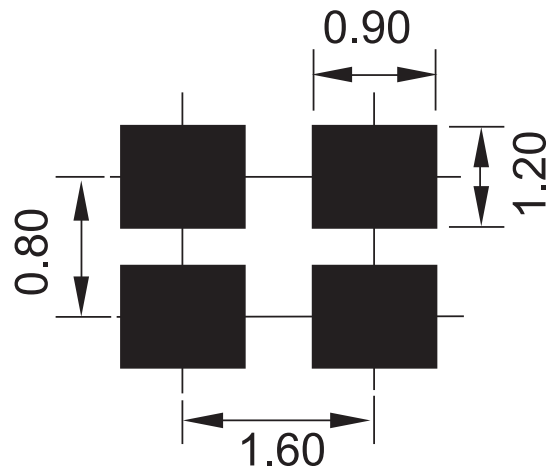
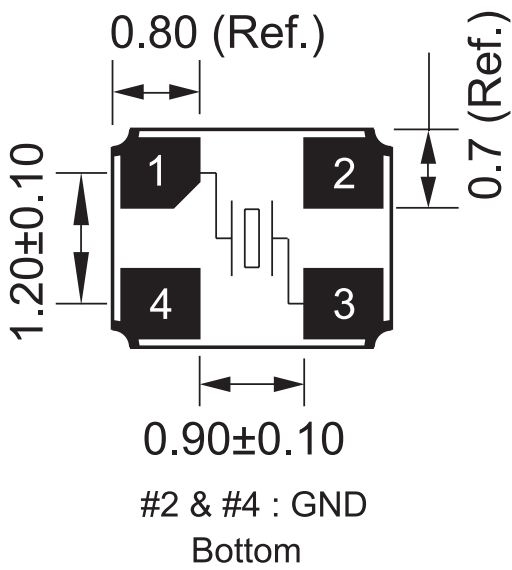
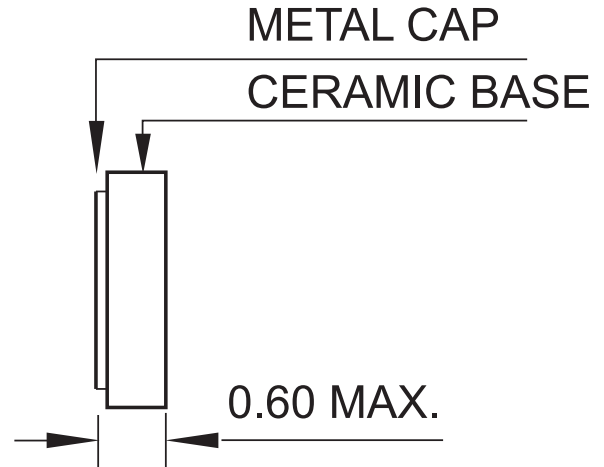
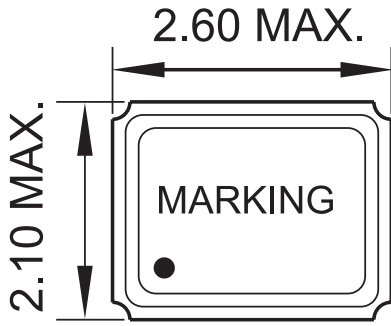
Page: 1/4 Date: June 9, 2006

Specification Title:

**Microprocessor Crystal Unit  
Low Profile  
2.0 x 2.5 millimeter Surface Mount  
General Product Specification**

Part Number: **C2E Series**

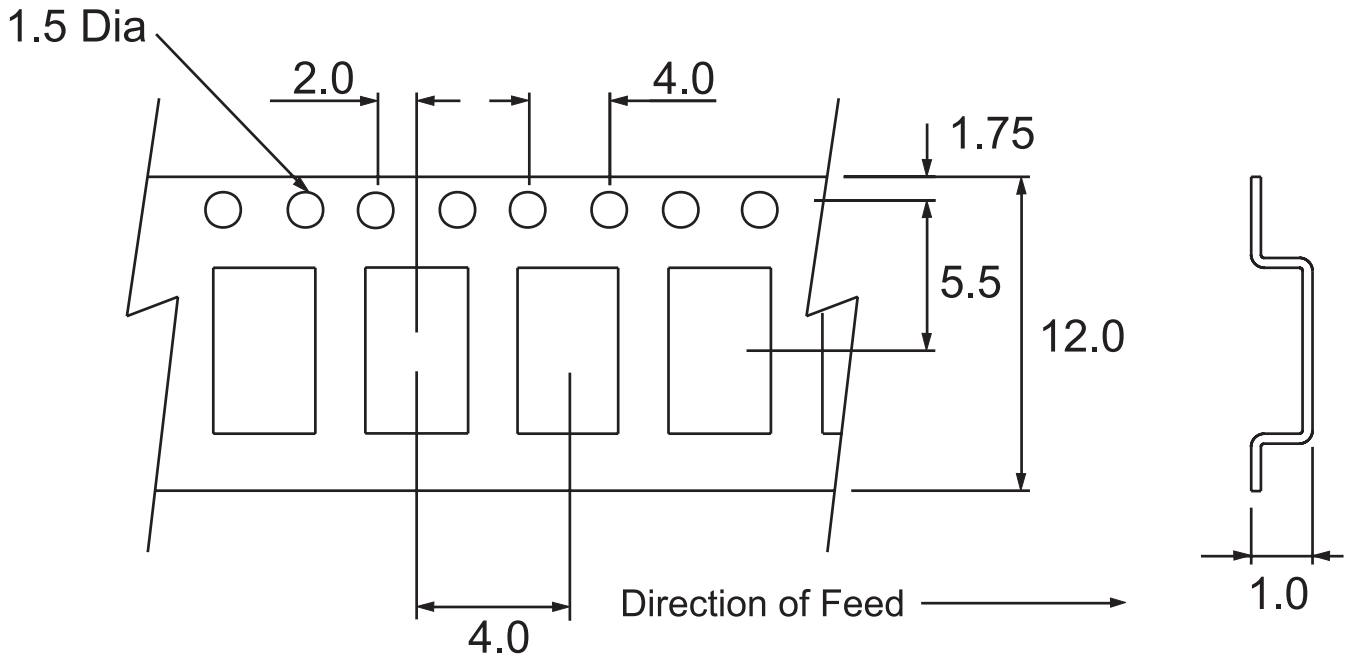
**Mechanical Outline:**



(Recommended Land Pattern)

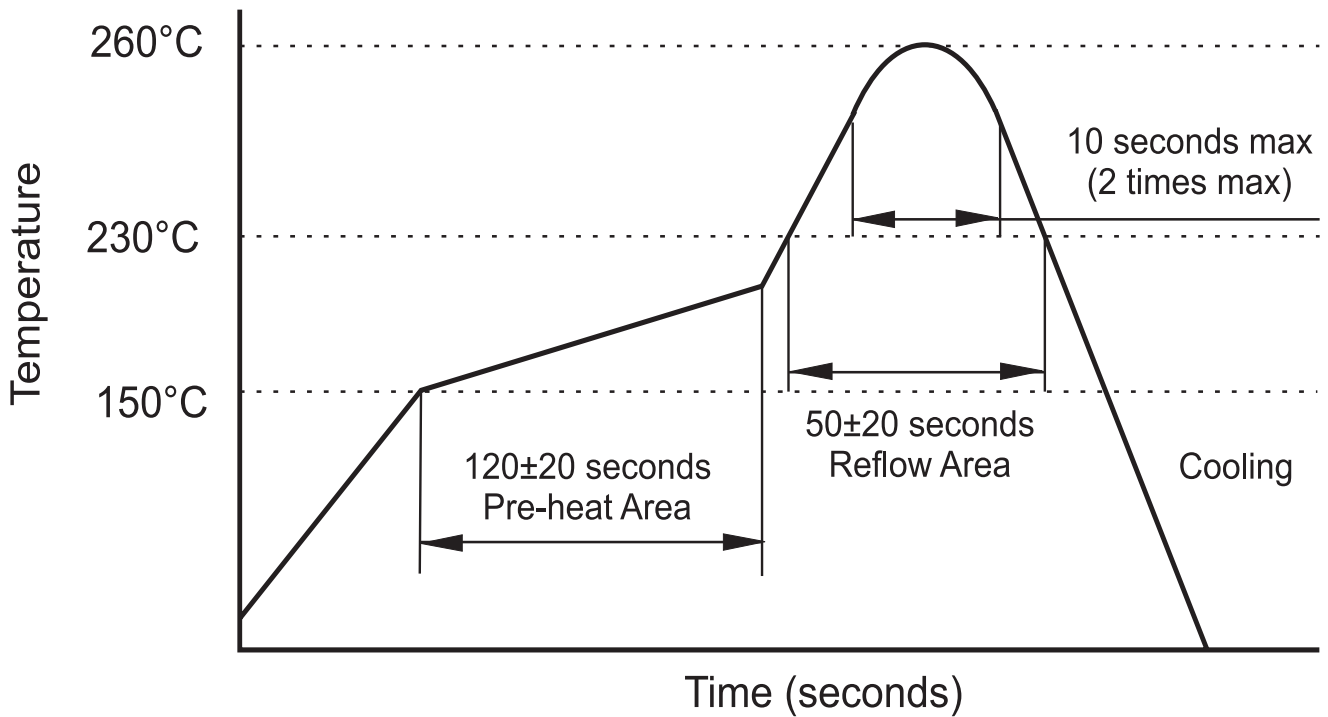
**Package is Seam Sealed Ceramic-Metal.  
Dimensions are millimeters.**

**Carrier Tape Dimensions:**



Dimensions are millimeters.

**Solder Reflow Characteristics:**



**How to build a Part Number:**

<b>Series</b>		<b>C</b>	<b>Parameter</b>
<b>Package</b>		<b>2E</b>	<b>2.0 x 2.5 mm</b>
		-	
<b>Frequency</b>		<b>16.000 to 50.000</b>	<b>MHz</b>
		-	
<b>Load Capacitance</b>		<b>7</b>	<b>7 pF</b>
		<b>10</b>	<b>10 pF</b>
		<b>12</b>	<b>12 pF</b>
		<b>16</b>	<b>16 pF</b>
		<b>18</b>	<b>18 pF</b>
		<b>20</b>	<b>20 pF</b>
		<b>32</b>	<b>32 pF</b>
		<b>S</b>	<b>Series</b>
		-	
<b>Frequency Tolerance (Note 1)</b>	<b>Standard</b>	<b>30</b>	<b>±30 PPM</b>
	<b>Option</b>	<b>25</b>	<b>±25 PPM</b>
		<b>20</b>	<b>±20 PPM</b>
		<b>15</b>	<b>± 15 PPM</b>
		<b>10</b>	<b>±10 PPM</b>
<b>Frequency Stability (Note 1)</b>	<b>Standard</b>	<b>50</b>	<b>±50 PPM</b>
	<b>Option</b>	<b>30</b>	<b>±30 PPM</b>
		<b>25</b>	<b>±25 PPM</b>
		<b>20</b>	<b>±20 PPM</b>
		<b>15</b>	<b>±15 PPM</b>
		<b>10</b>	<b>±10 PPM</b>
		-	
<b>Temperature Range</b>	<b>Standard</b>	<b>See Notes</b>	<b>-10 to +70 °C</b>
	<b>Option</b>	<b>X</b>	<b>-40 to +85 °C</b>
		-	
<b>Packaging</b>		<b>R</b>	<b>Tape and Reel</b>

**Part Number Example:**

**C2E-50.000-18-3050-R**

**C2E- 2.0 x 2.5 mm SMD Seam Seal Crystal Unit**

**50.000 MHz Nominal Frequency**

**18 pF Load Capacitance**

**3050: ±30 PPM Frequency Tolerance and ±50 PPM Frequency Stability**

**Fundamental Mode**

**-10 to +70° C Temperature Range**

**R: Tape and Reel Packaging**

**Notes:**

- 1- Frequency Tolerance and Stability options are limited due to physical size.
- 2- Standard Temperature Range does not need to be included in Part Number description.
- 3- Product is shipped in Tape and Reel configuration. Each reel contains 3000 pieces.
- 4- Quantities less than 3000 are shipped bulk in ESD pouches.
- 5- Specification subject to change without notice.

## X-ON Electronics

Largest Supplier of Electrical and Electronic Components

*Click to view similar products for [aker manufacturer](#):*

Other Similar products are found below :

[SMA-027000-3BL4TD](#) [CXA-012000-3F4D40](#) [CXA-016384-3D4X20](#) [CXA-026000-3F7F20](#) [C-3.579545-18-3050-X](#) [49SN-027120-FX20X10](#)  
[C5S-16.000-12-3030-X](#) [SMF-020000-5BC6T0](#) [SMA-040000-5CL4T5](#) [CXAN-025000-3F12D40](#) [C-8.000-18-3050-X](#) [CXAN-040000-3F15D41](#) [SMBN-033333-7BL4T00](#) [CXA-026000-3FCF20](#) [CA-18.432-18-3050-X](#) [CA-11.0592-18-3050-X](#) [C-4.194304-18-3050-X](#) [CXA-039000-7F1X40](#) [S33305-50.000-X](#) [C3E-14.31818-12-3030-X](#) [S53305-50.000-X](#) [S73305-10.000-X-15](#) [C6S-18.432-12-3030-X](#) [C7S-8.000-12-50100-X1](#) [C-24.576-18-3050-X](#) [C3E-14.7456-12-3030-X](#) [C7S-6.000-12-50100-X1](#) [CAA-4.194304-18-3050-X](#) [C3E-14.7456-12-50100-X1](#) [C6S-16.000-12-3030-X](#) [S73305T-24.000-X-15-R](#) [CA-8.000-18-3050-X](#) [C3E-16.000-12-50100-X1](#) [S73305-12.000-X-15](#) [49S-008000-FDRD10](#) [S73305-14.7456-X-15](#) [C3E-18.432-12-3030-X](#) [C3E-20.000-12-50100-X1](#) [CAA-3.579545-18-3050-X](#) [C7S-20.000-12-3030-X](#) [C6S-24.000-12-3030-X](#) [CA-25.000-18-3050-X](#) [CAA-16.000-18-3050-X](#) [49SN-011059-FX16X10](#) [C7S-24.000-12-50100-X1](#) [CA4-8.000-18-3050-X](#) [C3E-12.000-12-3030-X](#) [C5S-20.000-12-3030-X](#) [C3E-13.560-12-1010-X](#) [S7A33025-156.250-L-X-R](#)