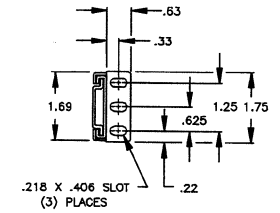
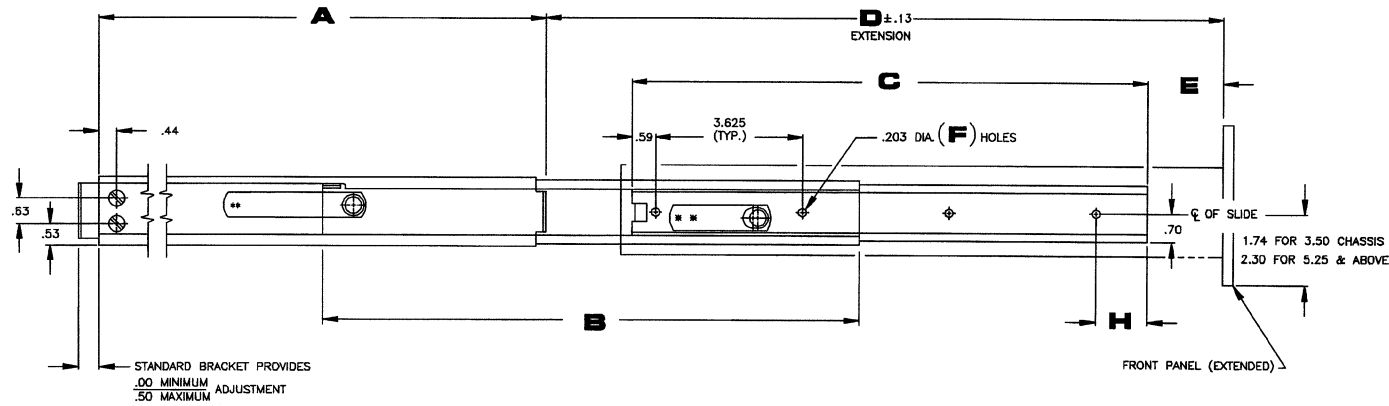
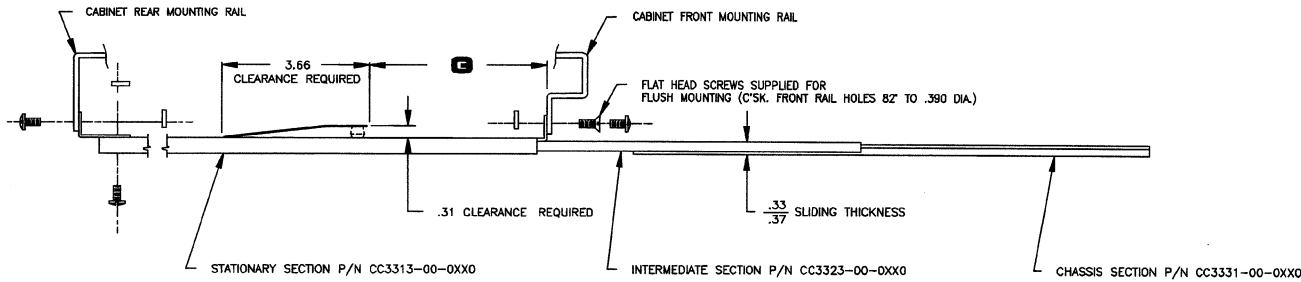
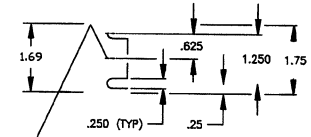


Model C-300 Rev C

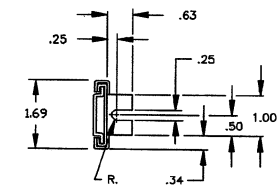
Non-Pivoting Slide



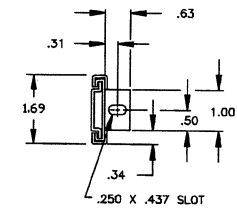
C-300-8-4XX-RC-38



C-300-8-1XX-RC-38



C-300-8-1XX-RC



C-300-8-4XX-RC

Model C-300 Rev C

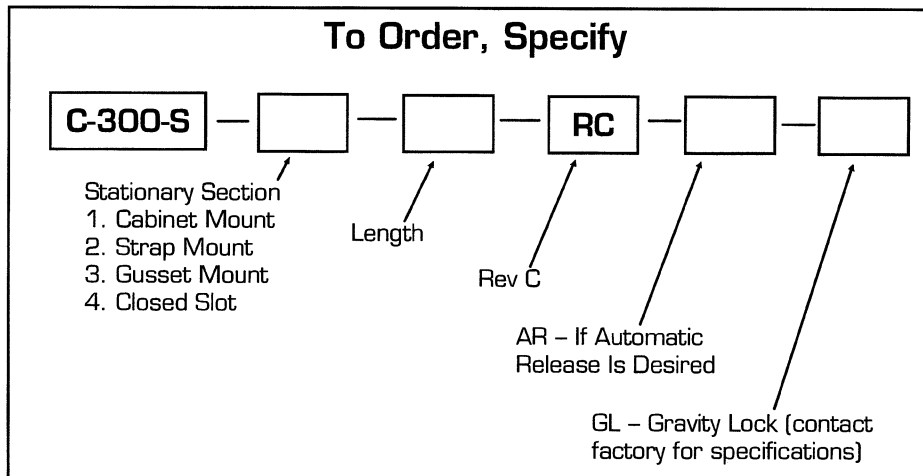
Non-Pivoting Slide

Model C-300-S-RC Dimensions & Load Capacities

CATALOG NUMBER	A	B	C	D	E	F	G	LOAD CAPACITY
C-300-S-110-RC	10.00	9.25	8.63	11.00	0.13	3	2.31	95 LBS.
C-300-S-112-RC	12.00	9.25	8.63	13.00	2.13	3	2.31	95 LBS.
C-300-S-114-RC	14.00	13.25	12.63	15.00	0.13	4	4.31	90 LBS.
C-300-S-116-RC	16.00	13.25	12.63	17.00	2.13	4	4.31	90 LBS.
C-300-S-118-RC	18.00	13.25	12.63	19.00	4.13	4	4.31	90 LBS.
C-300-S-120-RC	20.00	19.25	18.63	21.00	0.13	5	7.31	85 LBS.
C-300-S-122-RC	22.00	19.25	18.63	23.00	2.13	5	7.31	85 LBS.
C-300-S-124-RC	24.00	19.25	18.63	25.00	4.13	5	7.31	85 LBS.
C-300-S-126-RC	26.00	25.25	24.63	27.00	0.13	7	10.31	80 LBS.
C-300-S-128-RC	28.00	25.25	24.63	29.00	2.13	7	10.31	80 LBS.
C-300-S-130-RC	30.00	25.25	24.63	31.00	4.13	7	10.31	80 LBS.

All dimensions in inches unless stated otherwise

To Order, Specify



For Sales Service, Order Entry and Expediting
(317) 897-7009

For Engineering and/or Technical Assistance
(317) 897-7010

General Devices Co., Inc. 317-897-7000 www.generaldevices.com sales@generaldevices.com

Notes

1. Right hand slide shown, left hand opposite.
2. Finish: All standard slides are coated with Poxylube® dry film lubricant.
3. All standard slides are designed to lock in the extended position.
4. Automatic release is available if lock-out is not desirable.
5. Standard hardware packages include all hardware necessary to mount your Chassis Trak® slides:
 - Rear mounting brackets
 - Bar nuts (CA8056-01-0019)
 - #10-32 X .50 F.H.M.S. (flush front rail mounting)
 - #10-32 X .50 B.H.M.S.
 - #10-32 KEPS® nuts
6. All sliding members of this slide are made from cold rolled steel.
7. All Chassis Trak® solid bearing slides are supplied with a quick disconnect feature. This permits the entire chassis to be easily removed and replaced.
8. Optional mounting patterns, slide lengths and extensions are available.

X-ON Electronics

Largest Supplier of Electrical and Electronic Components

Click to view similar products for general devices manufacturer:

Other Similar products are found below :

[C-300-S-116](#) [CLB-305-20](#) [CTRS-112](#) [CM5](#) [B-217](#) [C-938-28-LI/LO](#) [C-874-28](#) [C-874-22](#) [CTHS-124](#) [CTRS-124](#) [CM14](#) [C-230-S-116](#) [C-938-12](#) [C-938-20-LI-LO](#) [D-4455](#) [CM3](#) [CLB-203-22](#) [C-3700-18](#) [CLB-203-20](#) [CTS-122](#) [CLB-203-28](#) [CLB-203-24](#) [D-4454-19X24](#) [D-4080-1](#) [PCA-17](#) [B-217-2.5](#) [C-230-S-122](#) [D-4456](#) [C-300-S-120-RC-3S](#) [B-810-2](#) [C-300-S-118-RC](#) [B-793](#) [PCA-21](#) [B-307-1](#) [C-300-S-128](#) [C-300-S-126-RC](#) [C-300-S-210](#) [C-300-S-424](#) [C-4555](#) [C-300-S-122-RC-3S](#) [C-300-S-120-RC](#) [C-4017](#) [CTS-120](#) [C-300-S-424-RC-3S](#) [B-217-2](#) [B-131-3.5](#) [B-307-2](#) [C-300-S-422](#) [C-230-S-124](#) [C-300-S-420](#)