



**AC Volts/Amps analog unit with blazing bright, large, color-changing display... true RMS measurement**



The Veeder-Root brand S628 AC Volts/Amps is a member of a family of 1/8 DIN instruments which offer breakthrough display technology as well as easy-to-program user setup. Its large LED display features the ability to change color based on process status such as exceeding an alarm value. Therefore, when monitoring process variables in applications using analog signals, the S628 provides operators with an instant visual alert to changes in the application's status.

- AWESOME 0.71" high digit LED display (27% larger than other 1/8 DIN units)
- Programmable color change display based on an event
- Programmable help function and secondary legend display
- Field configurable alarm outputs
- Max. and min. value capture
- Plug in option cards include: 2nd relay, digital input, linear output, RS-485 communication
- Transmitter power simplifies wiring
- Inputs from 0-1 VAC to 0-600 VAC, 0-1 mA to 0-1 amp
- True RMS measurement
- Standard outputs: 2 NPN transistors & 1 relay (optional 2nd relay)
- 250 ms sample time with 0.1% accuracy
- CE approved

Process inputs are easily scaled into engineering units by programming two input values and their corresponding display values through the front panel. A teach function, which automatically inputs the current sensor reading as a scale point, further simplifies setup. The two alarms can be setup for high or low operation, reverse or direct acting, and can be latched.

### SPECIFICATIONS

**Process Input:** From 0-1 VAC to 0-600 VAC, 0-1 mA to 0-1 amp  
 Frequency: 20 Hz to 5kHz - degrades at higher frequencies  
 Accuracy:  $\pm 0.1\%$  of span  
 Sample Rate: 250 ms  
 Resolution: 14 bits

**Control Inputs:** Sourcing, Edge Sensitive  
 Logic Low  $\leq 2.0$  VDC, Logic High  $\geq 3.0$   
 Impedance: 4.7 K $\Omega$  to + voltage - Sourcing  
 Response Time: 25 ms  
 Function: Programmable

**Outputs:** Solid State: NPN open collector, 30 VDC max., 100 mA max.  
 Relay: SPDT, 5A resistive @ 110 VAC  
 Latency: 75  $\mu$  seconds, plus 8 ms for relay pull-in

**Linear Outputs:** 0-20mA, 4-20mA, 0-10V, 2-10V, 0-5V, 1-5V  
 Accuracy:  $\pm 0.25\%$  (mA at 250 $\Omega$ , V at 2k $\Omega$ ); degrades linearly to  $\pm 0.5\%$   
 Resolution: 8 bits in 250ms (10 bits in 1s typ.)  
 Update: Approximately 4/s  
 Load Impedance: mA ranges: 500 $\Omega$  max.; V ranges: 500 $\Omega$  min.

**Communication:** RS-485; Serial asynchronous, UART to UART;  
 Open ASCII: One start bit, even parity, seven data bits, one stop bit;

Baud Rate selectable from 9600, 4800, 2400, or 1200  
 Maximum Zones: 99

**Supply Voltage:** 90-264 VAC, 50/60 Hz, or 20-50 VAC/VDC; 4 Watts  
**Accessory Power Supply:** Voltage: 20-28 VDC, 24 VDC nominal;  
 Min. Impedance: 910 $\Omega$  (22 mA @ 20 VDC)

**Display:** Red/Green, 7 segment LED  
 Primary display: 5 digits, 0.71" (18mm) height  
 Secondary display: single digit, 0.3" (7mm) height  
 Annunciators: Output 1 & Output 2 status

**Dimensions:** 48mm x 96mm, 110mm deep

**Mounting:** Panel mount (mounting bracket supplied), 45mm x 92mm cutout

**Connections:** Screw type terminals - combination head

**Front Panel Rating:** NEMA 4X/IEC IP65

**Case Material:** GE Lexan 940

**Weight:** 0.56 lbs.

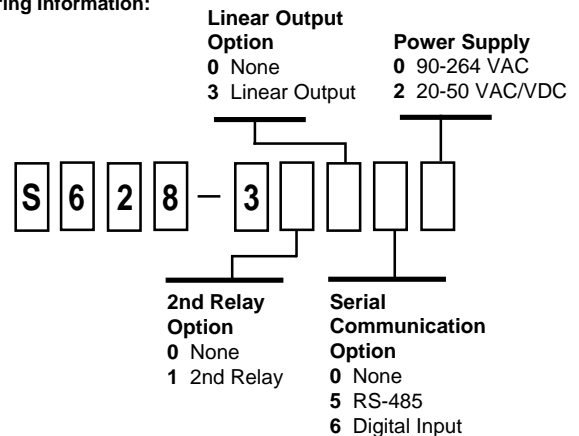
**Operating Temp.:** 0° to 55° Celsius, 32° to 131° Fahrenheit

**Storage Temp.:** -20° to 80° Celsius, -4° to 176° Fahrenheit

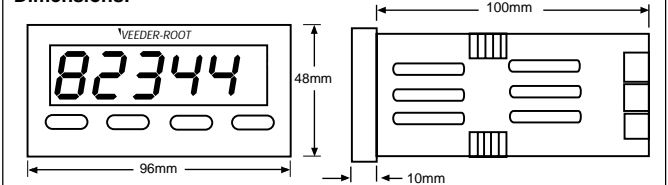
**Relative Humidity:** 20% to 95% non-condensing

**Approvals:** CE

#### Ordering Information:



#### Dimensions:



Panel Cutout: 45mm x 92mm (1.77" x 3.62")

## X-ON Electronics

Largest Supplier of Electrical and Electronic Components

*Click to view similar products for [danaher](#) manufacturer:*

Other Similar products are found below :

[G0-441-190-1](#) [G0-441-564-5](#) [G0-497-486](#) [G0633733](#) [G0-706-190](#) [G0875107](#) [G0-422-189-4](#) [G0-495-462](#) [T0-105-000](#) [G0-495-420](#) [G0-711-410](#) [G0-713-300](#) [G0486189](#) [G0446189](#) [A0-683-131](#) [G0-633-031](#) [G0-710-113](#) [G0-711-211](#) [G0-716-100](#) [G1-450-022](#) [G0-401-156-4](#) [G0-465-489](#) [G0-716-200](#) [G0-716-300](#) [G0-716-500](#) [G0-717-100](#) [G0891202](#) [G0-701-030](#) [G1-405-109](#) [G0-465-389](#) [G1-405-517](#) [G0-804-165-4](#) [G1-405-421](#) [G1-405-538](#) [G1-405-676](#) [A1-423-401-01](#) [G0-465-489-1](#) [G0-431-289](#) [G0-403-202-4](#) [G0-721-102](#) [G0-651-105](#) [G1-486-062](#) [G0-431-489-1](#) [G0-635-130](#) [G1-711-021](#) [A0-683-220](#) [G0-331-101](#) [G0-432-167-3](#) [G0-465-165](#) [G0-864-165](#)