

9000 series

Momentary pushbutton switches

Distinctive features and specifications



- Two case lengths
- Three electrical functions
- Sealing options
- Model X1146 with $\varnothing 16$ (.630) bushing

B

ELECTRICAL SPECIFICATIONS

- Max. current/voltage rating with resistive load :
 - silver contact (A) : 0,3A 250VAC - 0,6A 125VAC - 1A 30VDC
 - gold plated contacts (CD) : 100mA 30VDC
- Initial contact resistance : 50 m Ω max.
- Insulation resistance : 1.000 M Ω min. at 500VDC
- Dielectric strength :
 - 1.000 Vrms 50 Hz min. between terminals
 - 1.500 Vrms 50 Hz min. between terminals and frame
- Electrical life : 250.000 cycles

MATERIALS

- Case : thermoplastique UL94-V0
- Actuator : polyamide, glass filled
- Bushing : brass, nickel plated
- Contacts :
 - A : silver
 - CD : brass, gold plated
- Terminal seal : epoxy

GENERAL SPECIFICATIONS

- Total travel :

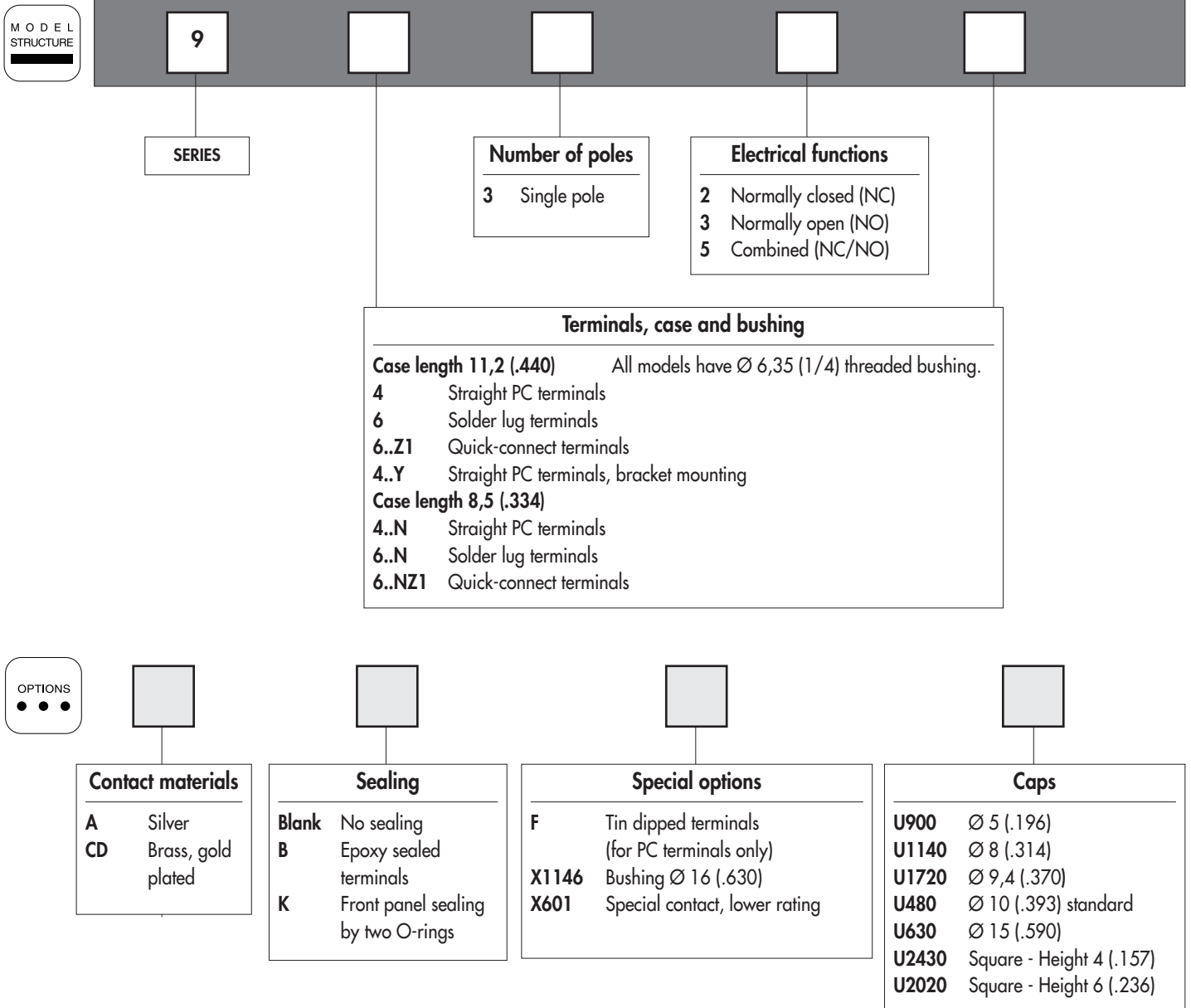
9600-9400-9400Y		9600N-9400N
Functions 3 and 5	Function 2	Function 3
1,3 mm	2 mm	0,9 mm

- Torque : 1,25 Nm (.922 Ft.lb) max. applied to nut
- Operating temperature : -30°C to +65°C

9000 series

Momentary pushbutton switches

Overview



ABOUT THIS SERIES

On the following pages, you will find successively :
 - model structure of switches
 - their options in the same order as in above chart

Dimensions : first dimensions are in mm while inches are shown as bracketted numbers.



NOTICE : please note that not all combinations of above numbers are available. Refer to the following pages for further information.



Sealing boots are available to protect the switches against dust and water. They are presented in section H.



Mounting accessories : standard hardware supplied with all switches : 2 hex nuts 8 mm (.314) across flats and 1 lockwasher. Standard and special hardware available are presented in section I.

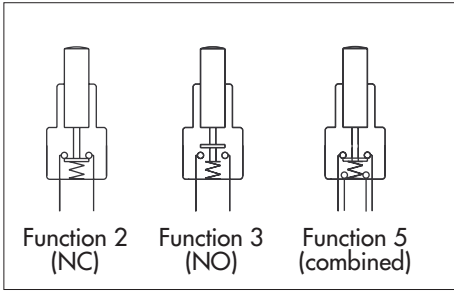


Packaging unit : 50 pieces, except for 9400Y (25 pieces)

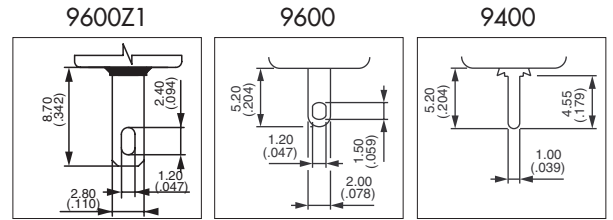
9000 series

Momentary pushbutton switches

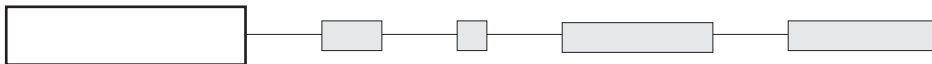
9600 - 9400 - 9400Y



- Single pole
- Solder lug or straight PC terminals



MODEL STRUCTURE

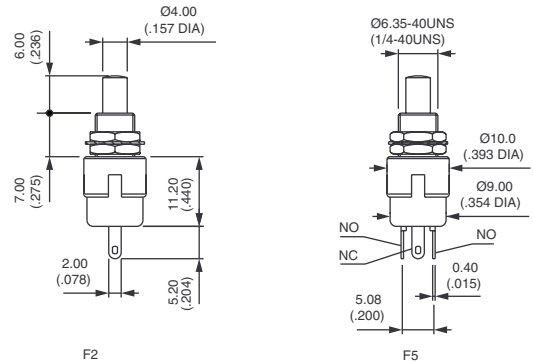


B

Solder lug terminals - case length 11,2 (.440) : 9600



- | | | |
|-------------|--|-------------------|
| 9632 | | Normally Closed |
| 9635 | | Combined function |

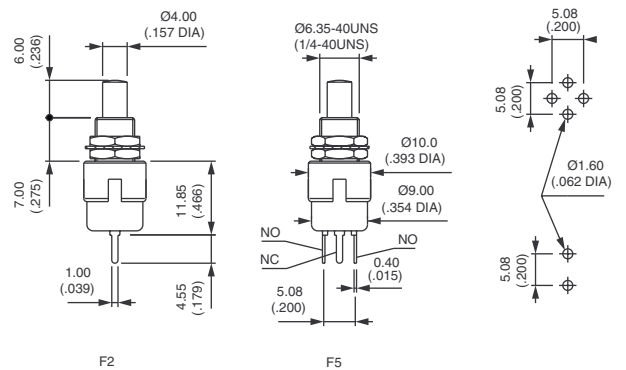


For Normally Open (function 3), see next page
Also available with quick-connect terminals : **9632Z1** or **9635Z1**

Straight PC terminals - case length 11,2 (.440) : 9400



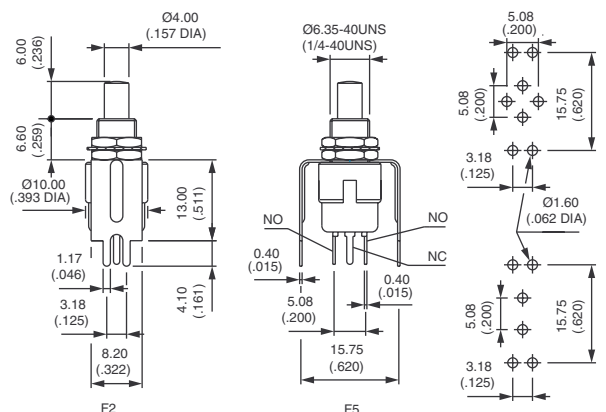
- | | | |
|-------------|--|-------------------|
| 9432 | | Normally Closed |
| 9433 | | Normally Open |
| 9435 | | Combined function |



Bracket mounting - case length 11,2 (.440) : 9400Y



- | | | |
|--------------|--|-------------------|
| 9432Y | | Normally Closed |
| 9433Y | | Normally Open |
| 9435Y | | Combined function |



The bracket is not fastened to the switch.



9000 series

Momentary pushbutton switches

9600N - 9400N

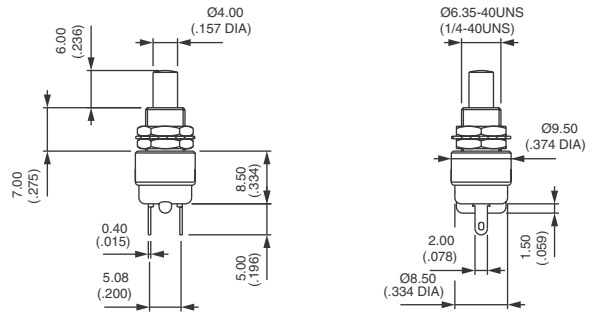
Solder lug terminals - case length 8,5 (.334) : 9600N



9633N



Normally Open



Also available with quick-connect terminals 2,8 x 0,5 mm : 9633NZ1

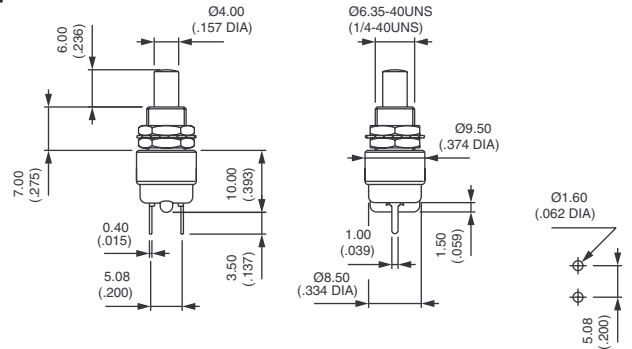
Straight PC terminals - case length 8,5 (.334) : 9400N



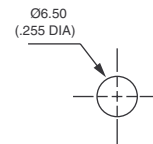
9433N



Normally Open



PANEL CUT-OUT



Bushing Ø 16 (.630) - metal button : 9633•X1146



Silver contacts
9633AX1146

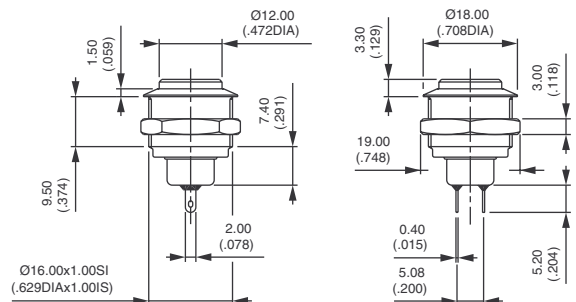


Normally open

Gold plated silver contacts
9633ADX1146



Normally open



Hex nut 19 (.748) across flats

Panel cut-out : Ø 16,2 (.637)

Max. current/voltage rating. : 0,3A 250VAC - 1A 30VDC

Epoxy sealed terminals. Options of the following pages not applicable.

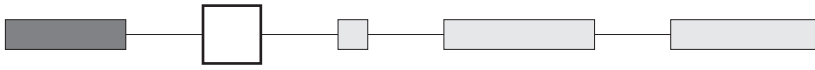
9000 series

Momentary pushbutton switches

OPTIONS



CONTACT MATERIALS



- A Silver
- CD Brass, gold plated

Special contact, lower rating : see X601 under "Special options".

SEALING



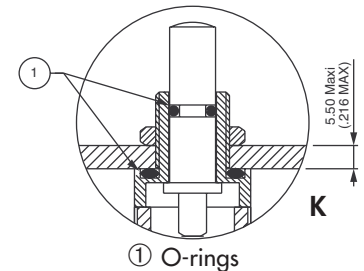
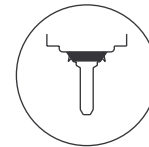
Blank No sealing

B Epoxy sealed terminals

K Front panel sealing by two O-rings. Protects the switch against water and dust. Panel seal withstands 0,1 bar pressure and remains tight even when switch is operated.

KB Combined sealings

Sealing boots : see section H.



SPECIAL OPTIONS



F **Tin dipped terminals**
For PC terminal models with gold plated contacts only.
Order with option B (epoxy sealing)

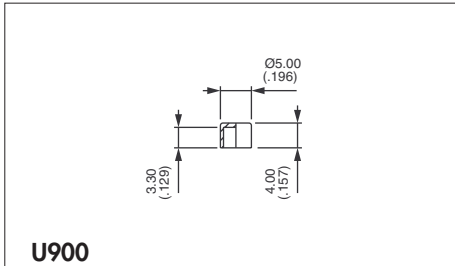
X601 **Silver plated brass contacts**
Current/voltage rating for an electrical life of 20.000 cycles :
0,2A 250VAC - 0,4A 125VAC - 0,5A 30VDC.
Minimum quantity : 5.000 pieces per model and shipment.



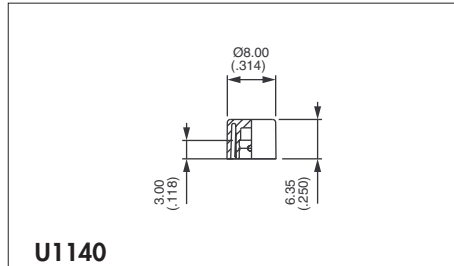
9000 series

Momentary pushbutton switches

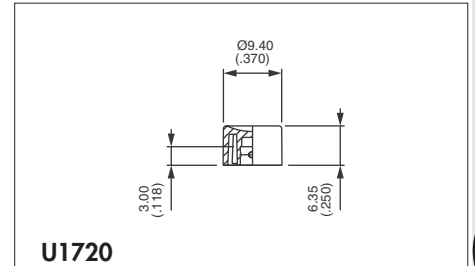
CAPS



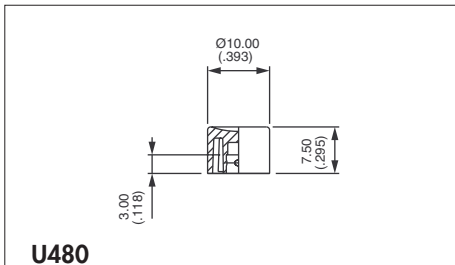
U900



U1140

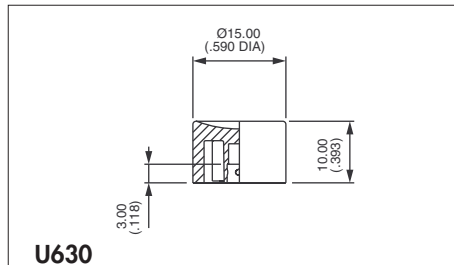


U1720

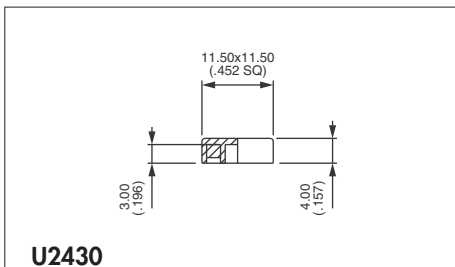


U480

Standard

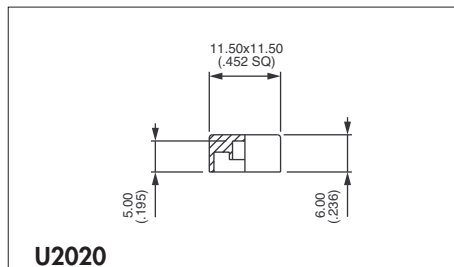


U630



U2430

Square



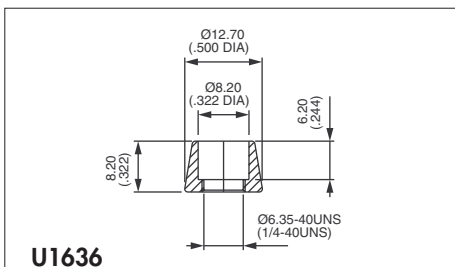
U2020

Square

Cap colours	
Replace last "0" by number	
1	blue
1/4	dark blue
2	black
3	green
4	grey
5	yellow
6	red
7	ivory
7/1	white
9	orange

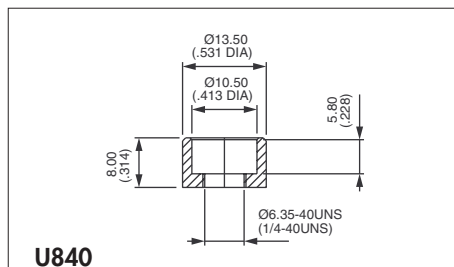
DRESS NUTS

Chrome plated



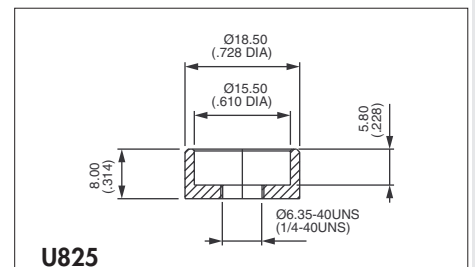
U1636

For cap U1140



U840

For cap U480



U825

For cap U630

Dress nuts are to be ordered separately.

9000 series

Alternate action or momentary pushbutton switches

Distinctive features and specifications

Bushing Ø 6,35 (1/4) and 11,9 (15/32)

Three electrical functions

B

ELECTRICAL SPECIFICATIONS

- Max. current/voltage rating with resistive load and electrical life :
 - silver contacts (A) : 0,5A 250VAC - 1A 28VDC - 250.000 cycles
1,5A 250VAC - 3A 28VDC - 10.000 cycles
 - gold plated contacts (CD) : 0,4VA 20V max. AC or DC
- Initial contact resistance : 10 mΩ max. at 0,1A 3VDC
- Insulation resistance : 10.000 MΩ min.
- Dielectric strength :
1.000 Vrms 50 Hz min.

MATERIALS

- Case : diallylphthalate
- Actuator : nylon
black for series 9630M
white for series 9631
- Bushing : brass, nickel plated
- Contacts :
 - A** : silver
 - CD** : brass, gold plated
- Terminal seal : epoxy

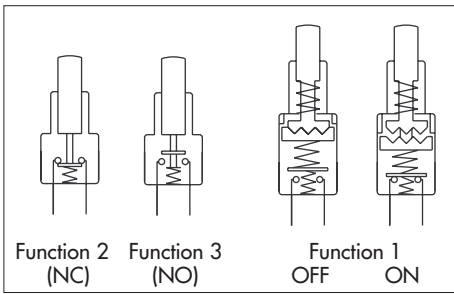
GENERAL SPECIFICATIONS

- Operating temperature : -30°C to +85°C
- Travels : see table below.

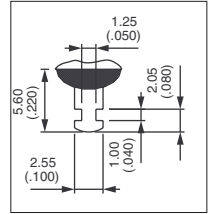
MODELS	9631	9633M	9632M
Total travel	3,48 (.137)	2,79 (.110)	1,40 (.055)
Pre-travel	0,66 (.026)	-	0,51 (.020)
Over travel	2,69 (.106)	0,51 (.020)	-

9000 series

Alternate action or momentary pushbutton switches



- Single pole
- Solder lug terminals
- Epoxy sealed terminals

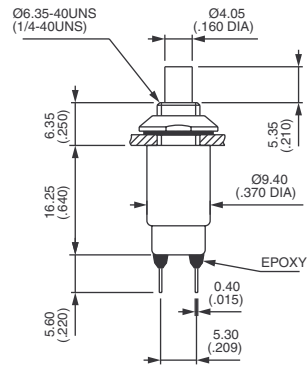


B

Bushing Ø 6,35 (1/4) - Alternate action - tactile feedback



Gold plated contacts 9631CDB	ON	-	OFF
Silver contacts 9631AB	ON	-	OFF

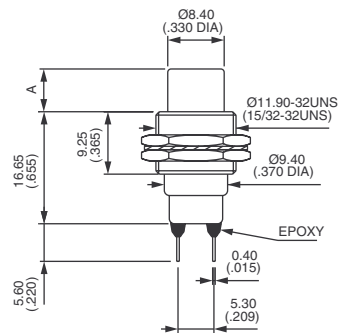


Standard hardware : 1 conic nut and 1 lockwasher

Bushing Ø 11,9 (15/32) - front or rear mounting - NO or NC



9633MCDB		Normally open
9632MCDB		Normally closed



MODEL	A
9633M	6.35 (.250)
9632M	5.70 (.225)

Standard hardware : 2 hex nuts 14 mm (.551) across flats and 1 lockwasher

X-ON Electronics

Largest Supplier of Electrical and Electronic Components

Click to view similar products for [apem](#) manufacturer:

Other Similar products are found below :

[48](#) [TW11GRY1](#) [SLB13814](#) [SLC120025](#) [DA04T](#) [Q6F1CXXB24](#) [SLG12004](#) [SLB1281R5](#) [DPL-02](#) [DA08](#) [5D15F1534](#) [M11L0A1M](#)
[M11L0B1M](#) [M21L0E1C](#) [M31L0M1M](#) [CW-A0BK1A00A0](#) [MAB6B](#) [A019101](#) [A019305](#) [A019409](#) [A029301](#) [A1PCA0X106J103](#)
[Q16F1BXXR12E](#) [Q22F1BXXY12E](#) [Q22F1CXXB24E](#) [Q22F1CXXG12E](#) [Q8P1BXXY110E](#) [Q8P3BXXG12E](#) [Q8P7BZZRYG12E](#)
[Q8R3BXXG02E](#) [121442RA](#) [HF-33S10](#) [HF44R11](#) [HF45R10](#) [HFX44S00](#) [DMR10](#) [DSR04T](#) [AV0830C900](#) [AV19810KMZB](#) [MSS22](#)
[BD150A01RE0000](#) [BD150D02BK1200](#) [HS1T24GA](#) [1D09034](#) [1Z03](#) [1ZZ](#) [NZAA0477](#) [NZAA1475](#) [NZAB1475](#) [NZAB1477](#)