



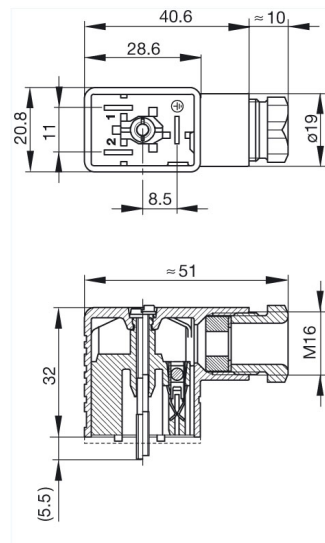
GM 216 NJ schwarz/black

Industrial Connectors:Rectangular connectors GDM-series:Type B Industrial standard:Cable socket

Product description

| | |
|----------------------|--|
| Description | cable socket with central screw M 3 x 35 |
| Type | GM 216 NJ schwarz/black |
| Order No. | 934 456-100 |
| Other standard types | grey housing, Order No. 934 456-106 |
| Number of contacts | 2 + PE |
| Cable gland | M 16 |
| Conductor size | max. 1.5 mm ² |
| Standard | industrial standard (11 mm) |
| Housing Color | black |
| Construction type | B |

Drawing



Zeichnung wird verwendet für:
934 456-106
934 456-100

Technical data

| | |
|---------------------|--------------------------------|
| Pin dimensions | 6.3 mm x 0.8 mm |
| Rated voltage | UC 250 V |
| Rated current | 16 A |
| Contact resistance | ≤ 4 mOhm |
| Type of termination | screw / cable shoe / cable eye |
| Suitable cables | 4.5 mm to 7 mm diameter |
| Mounting | central screw |

Material

| | |
|--------------------------|----|
| Contact surface material | Sn |
| Contact bearer material | PA |
| Housing material | PA |

Environmental conditions

| | |
|------------------------------|-------|
| Protection class (IEC 60529) | IP 65 |
| Pollution severity | 3 |

| | |
|--|--|
| Temperature range | -40 °C to +125 °C |
| Inflammability class | |
| Housing | 94 V-1 |
| Contact bearer | 94 HB |
| Approvals | |
| UR | in preparation |
| VDE | in preparation |
| SEV | in preparation |
| CSA | in preparation |
| Packaging unit | |
| Packaging unit | 200 pieces |
| Scope of delivery and accessories | |
| Accessories to order separately | (NBR) flat gasket GMN 207-3, Order No. 731 423-002; (ECO) flat gasket GMN 207-7, Order No. 731 755-002; knurled screw GDM 3011-8, Order No. 732 574-001; stainless steel screw GDM 3011 RF-1, Order No. 734 363-001 |

X-ON Electronics

Largest Supplier of Electrical and Electronic Components

Click to view similar products for [hirschmann](#) manufacturer:

Other Similar products are found below :

[931298001 GSP 211 PG11](#) [934828001 BRSCIS 4D/9](#) [AK2B2540I SW](#) [BUELA300KSW](#) [BUELA30KBL](#) [BUELA30KGE](#) [930011200 MAB 6](#)
[933116100 GSSA 300](#) [AK2BSW](#) [G 30 KW 3 M](#) [BNC-AL0.64](#) [BUELA300KBL](#) [BUELA300KRT](#) [BUELA30KGN](#) [BUELA30KRT](#)
[934066788](#) [934061103](#) [934059104](#) [972425002](#) [943301-001](#) [934061704](#) [STAK2](#) [AK2B2540I GN](#) [PRUEF1SW](#) [SPIDER-PL-20-](#)
[05T1999999TZ9HHHH](#) [BAT867-RUSW99AU999AT199L999ZHX](#) [930136106](#) [930317804](#) [934066105](#) [934072100](#) [934076103](#) [934086104](#)
[934086188](#) [973929000](#) [934157101](#) [930014517 MAS 30](#) [934077106](#) [934077105](#) [934064104](#) [932794001](#) [GECKO 4TX](#) [972309101](#)
[934100707](#) [975695700](#) [975455709](#) [975455701](#) [973528101](#) [MESAP 43650](#) [KLEPS1600SW](#) [932140100 STAK 3 N SCHWARZ](#)