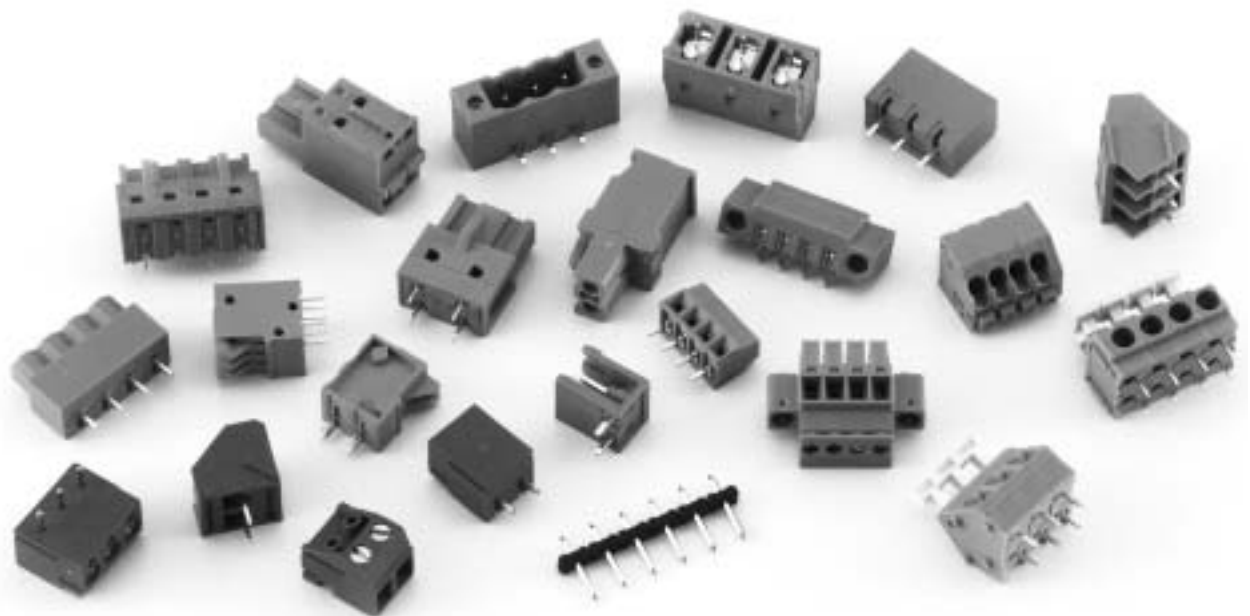




Terminal Block WR-TBL





Terminal Block WR-TBL

Würth Elektronik WR-TBL are available in many different connection types and offer large and modular terminal block possibilities in order to fulfill most of the requirements which can be found in the industrial marketplace.

- Wire protector system → the cost effective solution for a secure connection
- Rising clamp system → the quality screwed connection
- Pluggable system → easy mating/un-mating
- Spring clamp system → the screwless solution

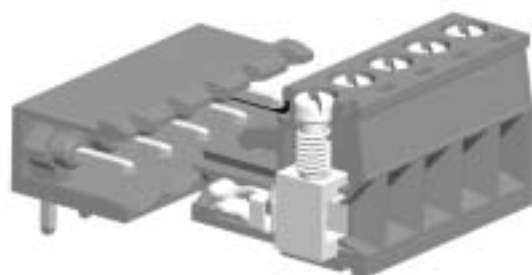
Wire protector system



Rising clamp system



Pluggable system



Spring clamp system



Approval n°


UL File E315414
VDE 40022614
VDE 40022612

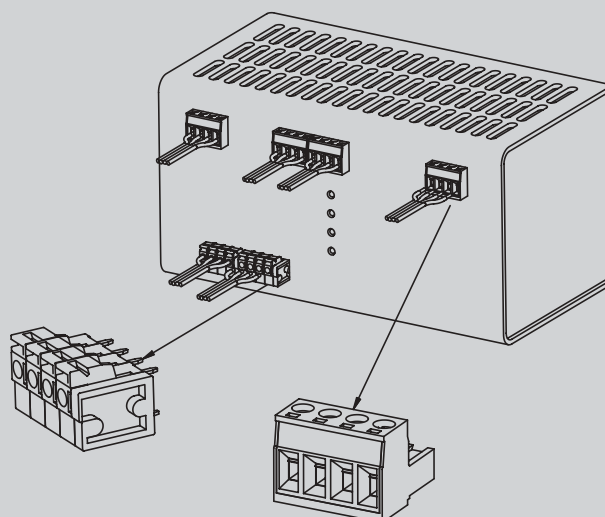
VDE 40022608
VDE 40024437
VDE 40023195

VDE 40023402
VDE 40023651
VDE 40023652
VDE 40023353



Terminal Block WR-TBL

NEW		3.50mm Wire protector system	14-06
		5.00mm Wire protector system	14-07 to 14-11
NEW		3.50mm Rising clamp system	14-12
		5.00mm Rising clamp system	14-13 to 14-17
NEW		5.08mm Rising clamp system	14-18
NEW		7.50mm Rising clamp system	14-19
NEW		7.62mm Rising clamp system	14-20
NEW		10.16mm Rising clamp system	14-21
NEW		3.50mm Pluggable system	14-22 to 14-31
		3.81mm Pluggable system	14-32 to 14-41
		5.00mm Pluggable system	14-42 & 14-43
NEW		5.00mm Pluggable system	14-44 to 14-53
		5.08mm Pluggable system	14-54 to 14-70
NEW		7.62mm Pluggable system	14-71 to 14-85
NEW		Coding key	14-86 & 14-87
NEW		2.54mm Spring clamp system	14-88 & 14-89
NEW		3.50mm Spring clamp system	14-90
		5.00mm Spring clamp system	14-91 to 14-95
NEW		Design Kit	14-96





Terminal Block WR-TBL

Sub-family	Pitch	PCB/Cable	Modularity	Type	Colour	Option	Wire/Height	p/n	page				
Pressure clamp system	3.5mm pitch	PCB	Modular	Horizontal cable entry	Blue		1,5mm ²	691 103 110 0xx	14-6	NEW			
	5.0mm pitch			Vertical cable entry			2,5mm ²	691 101 710 0xx	14-7				
				Not modular	Horizontal cable entry		1,5mm ²	691 102 710 0xx	14-8				
	Rising cage clamp system				5.0mm pitch		Modular	Vertical cable entry	Green	1,5mm ²	691 104 700 0xx	14-9	NEW
Horizontal cable entry			2,0mm ²	691 111 710 0xx				14-10					
5.08mm pitch			Horizontal entry	Blue	1,5mm ²			691 121 710 0xx	14-11				
			45° cable entry		3,0mm ²			691 121 710 0xx	14-12				
			7.5mm pitch	Green	Horizontal cable entry			1,5mm ²	691 214 110 0xx	14-13			
		Vertical cable entry			3,5mm ²	691 201 720 0xx		14-14					
7.62mm pitch	Green	Horizontal cable entry	3,5mm ² /15,5mm	691 211 720 0xx	14-14								
		Vertical cable entry	3,5mm ² /14,3mm	691 212 710 0xx	14-15								
	10.16mm pitch	Green	Horizontal cable entry	1,5mm ² /10,0mm	691 213 710 0xx	14-16							
			Vertical cable entry	3,5mm ²	691 215 700 0xx	14-17							
Pluggable system	3.5mm pitch	Cable	Not modular	Vertical cable entry	Green	Flanges	1,5mm ²	691 361 100 0xx	14-22	NEW			
				Horizontal cable entry		Flanges	691 364 100 0xx	14-23					
						Hook BS	691 363 110 0xx	14-24					
				PCB		Hook/Flanges	691 365 110 0xx	14-25					
						Close ends	691 366 110 0xx	14-26					
		Close ends/Flanges				691 367 110 0xx	14-27						
		3.81mm pitch		Cable		Vertical	-	691 321 100 0xx	14-28				
						Close ends/Flanges	-	691 323 100 0xx	14-29				
						Close ends	-	691 322 110 0xx	14-30				
						Close ends/Flanges	-	691 325 110 0xx	14-31				
	Horizontal RA		-		691 325 110 0xx	14-31							
	5.0mm pitch	Cable	Vertical cable entry	Not modular	Vertical	Green	Flanges	1,5mm ²	691 361 300 0xx	14-32	NEW		
			Horizontal cable entry		Flanges		691 364 300 0xx	14-33					
					Hook WS		691 363 310 0xx	14-34					
			PCB		Hook/Flanges		691 365 310 0xx	14-35					
					Hook BS		691 366 310 0xx	14-36					
		Hook/Flanges			691 367 310 0xx		14-37						
		5.08mm pitch	Cable		Vertical		-	691 321 300 0xx	14-38				
					Close ends/Flanges		-	691 323 300 0xx	14-39				
					Close ends		-	691 322 310 0xx	14-40				
Close ends/Flanges					-		691 325 310 0xx	14-41					
Horizontal RA	-			691 325 310 0xx	14-41								
5.08mm pitch	Cable	Modular	Not modular	Horizontal	Blue		2,0mm ²	691 301 710 0xx	14-42				
		PCB		Modular			Pin header	Black	Divisible manually	-	691 300 700 0xx	14-43	
	Cable	Vertical cable entry		Green	Vertical cable entry		Green	3,0mm ²	691 352 710 0xx	14-44	NEW		
					Flanges				691 343 710 0xx	14-45			
		Horizontal cable entry			Hook WS				691 351 700 0xx	14-46			
					Hook/Flanges				691 340 700 0xx	14-47			
		PCB			Vertical				Close ends	-	691 311 700 1xx	14-48	
									Open ends	-	691 311 700 0xx	14-49	
									Close ends/Flanges	-	691 318 700 0xx	14-50	
		5.08mm pitch			Cable				Vertical	Close ends	-	691 313 710 0xx	14-51
	Open ends			-			691 312 710 0xx	14-52					
	Close ends/Flanges			-			691 317 710 0xx	14-53					
	Flanges			3,0mm ²			691 351 500 0xx	14-54					
									Flanges	3,0mm ²	691 340 500 0xx	14-55	NEW
											691 353 500 0xx	14-56	



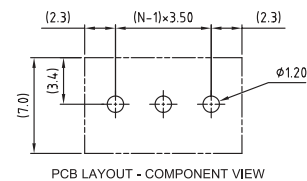
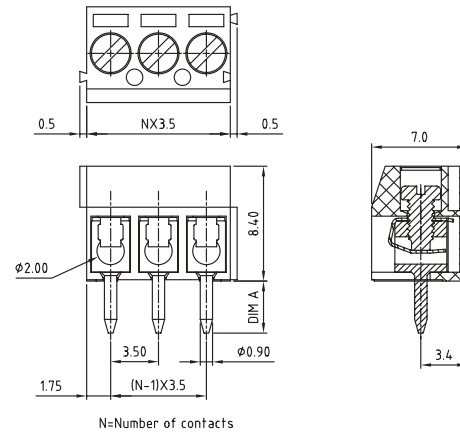
Terminal Block WR-TBL

Sub-family	Pitch	PCB/Cable	Modularity	Type	Colour	Option	Wire/Height	p/n	page			
Pluggable system	5.08mm pitch	Cable	Not modular	Horizontal cable entry	Green	Hook WS	3.0mm ²	691 352 510 0xx	14-57	NEW		
						Hook WS/Flanges		691 343 510 0xx	14-58			
						Hook BS		691 344 510 0xx	14-59			
						Hook BS/Flanges		691 345 510 0xx	14-60			
		PCB		Vertical		Close ends	-	691 311 500 1xx	14-61	NEW		
							Open ends	-	691 311 500 0xx		14-62	
						Close ends/Flanges	-	691 318 500 0xx	14-63	NEW		
							Close ends	-	691 313 510 0xx		14-64	
						Horizontal RA	Open ends	-	691 312 510 0xx	14-65	NEW	
								Close ends/Flanges	-	691 317 510 0xx		14-66
						45°	Close ends	-	691 314 520 1xx	14-67	NEW	
								Vertical cable entry	2.5mm ²	691 348 500 0xx		14-68
						Vertical	-			691 307 500 0xx	14-69	NEW
							Horizontal RA	-	691 309 510 0xx	14-70	NEW	
	Cable	Vertical cable entry	Green	Vertical cable entry	3.0mm ²	691 351 400 0xx		14-71	NEW			
						Flanges	691 340 400 0xx	14-72				
						Hook WS	691 352 410 0xx	14-73				
						Hook WS/Flanges	691 343 410 0xx	14-74				
						Hook BS	691 344 410 0xx	14-75				
						Hook BS/Flanges	691 345 410 0xx	14-76				
						Close ends	-	691 311 400 1xx		14-77		
						Open ends	-	691 311 400 0xx		14-78		
						Close ends/Flanges	-	691 318 400 0xx		14-79		
						PCB	Vertical	Green		Horizontal RA	3.0mm ²	691 313 410 0xx
	Open ends	-	691 312 410 0xx	14-81								
	Close ends/Flanges	-	691 317 410 0xx	14-82								
	Vertical cable entry	3.0mm ²	691 348 400 0xx	14-83								
			Vertical	-	691 307 400 0xx				14-84			
Horizontal RA	-	691 309 410 0xx	14-85	NEW								
3.5 & 3.81mm	Coding key	-	-		-	691 399 900 0xx	14-86	NEW				
		5.0/5.08/7.62mm	-	-	-	691 399 900 0xx	14-87					
Screwless	2.54mm pitch	PCB	Not modular	Horizontal cable	Green		0.5mm ²	691 402 910 0xx	14-88	NEW		
				Vertical cable entry				691 403 900 0xx	14-89			
	3.5mm pitch			45° cable entry	Grey		1.5mm ²	691 412 120 0xx	14-90	NEW		
					Horizontal cable			Green/Orange	2.0mm ²		691 401 710 0xx	14-91
	Vertical cable entry			691 401 700 0xx			14-92					
	5.0mm pitch			45° cable entry	Grey		3.0mm ²	691 414 720 0xx	14-93	NEW		
					Horizontal cable			Grey/White	2.0mm ²		691 411 710 0xx	14-94
											45° cable entry	Grey
Design kit		-	-		-	-		691 001	14-96			



NEW

Serie 1031 - 3.5mm Horizontal Entry Modular with Pressure Clamp - 1.5mm² Wires WR-TBL



MATERIAL

- Insulator material: PA 66
- Flammability rating: UL94-V0
- Colour: Blue
- Metal housing: Brass (CuZn)
- Terminal screw: Steel Zinc plating "–" slot type
- Wire guard: Stainless steel
- Surface of solder tail plating: Tin

ENVIRONMENTAL

- Operating temperature: –40 °C up to 105 °C
- Compliance: Lead free & RoHS
- Safety approval: See table

SOLDERING

- Solder temperature: JEDEC lead free wave soldering

ELECTRICAL

- Current rating: 10A
- Working voltage: 125Vac
- Withstanding voltage: 1.25kV
- Contact resistance: 20 mOhm max

MECHANICAL

- Solid wire: 26 - 16AWG / 0.13 - 1.5mm²
- Stranded wire: 26 - 16AWG / 0.13 - 1.5mm²
- Torque: 1.7Lb-In / 0.2Nm

- Wire strip length: 5 - 6mm
- Screw: M2
- Pitch: 3.5mm

PACKAGING

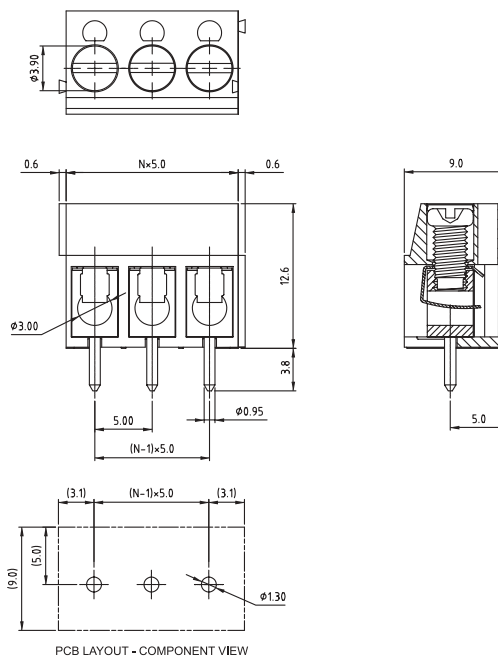
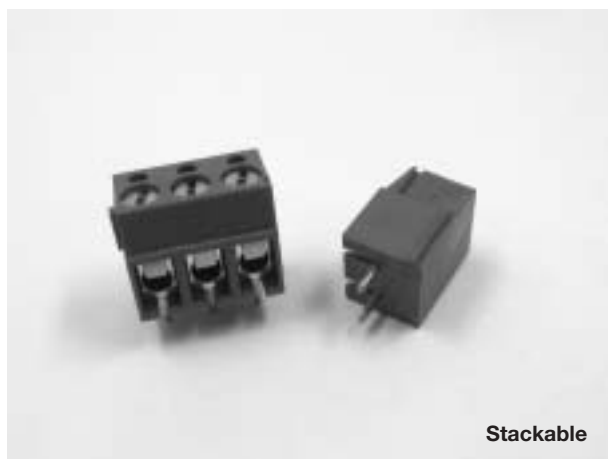
- Box

Note: Other pin number are available, based on combinations of 2 & 3pins, but they are not kept in stock and are subject to MOQ

Order Code	Pins	AWG	Approval Certification
691 103 110 002	2	See Mechanical characteristics	
691 103 110 003	3		



Serie 101 - 5.0mm Horizontal Entry Modular with Pressure Clamp - 2.5mm² Wires WR-TBL



MATERIAL

- Insulator material: PA 66
- Flammability rating: UL94-V0
- Colour: Blue
- Metal housing: Brass (CuZn)
- Terminal screw: Steel Zinc plating "–" slot type
- Wire guard: Stainless steel
- Surface of solder tail plating: Tin

ENVIRONMENTAL

- Operating temperature: –40 °C up to 105 °C
- Compliance: Lead free & RoHS
- Safety approval: See table

SOLDERING

- Solder temperature: JEDEC lead free wave soldering

ELECTRICAL

- Current rating: 16A
- Working voltage: 250Vac
- Withstanding voltage: 1.5kV
- Contact resistance: 20 mOhm max

MECHANICAL

- Solid wire: 26 - 14AWG / 1.0 - 2.5mm²
- Stranded wire: 26 - 14AWG / 1.0 - 2.5mm²
- Torque: 2.6Lb-In / 0.6Nm

- Wire strip length: 6 - 7mm
- Screw: M3
- Pitch: 5.0mm

PACKAGING

- Box

Note: Other pin number are available, based on combinations of 2 & 3pins, but they are not kept in stock and are subject to MOQ

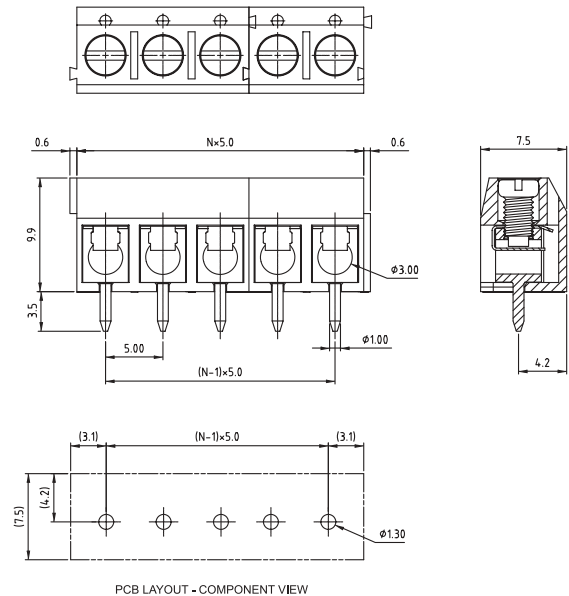
Order Code	Pins	AWG	Approval Certification
691 101 710 002	2	See Mechanical characteristics	
691 101 710 003	3		



Serie 102 - 5.0mm Horizontal Entry Modular with Pressure Clamp - 1.5mm² Wires WR-TBL



Stackable



PCB LAYOUT - COMPONENT VIEW



MATERIAL

- Insulator material: PA 66
- Flammability rating: UL94-V0
- Colour: Blue
- Metal housing: Brass (CuZn)
- Terminal screw: Steel Zinc plating "–" slot type
- Wire guard: Stainless steel
- Surface of solder tail plating: Tin

ENVIRONMENTAL

- Operating temperature: –40 °C up to 105 °C
- Compliance: Lead free & RoHS
- Safety approval: See table

SOLDERING

- Solder temperature: JEDEC lead free wave soldering

ELECTRICAL

- Current rating: 15A
- Working voltage: 300Vac
- Withstanding voltage: 1.6kV
- Contact resistance: 20 mOhm max

MECHANICAL

- Solid wire: 22 - 14AWG / 0.75 - 1.5mm²
- Stranded wire: 22 - 14AWG / 0.75 - 1.5mm²
- Torque: 2.6Lb-In / 0.4Nm

- Wire strip length: 5 - 6mm
- Screw: M2.6
- Pitch: 5.0mm

PACKAGING

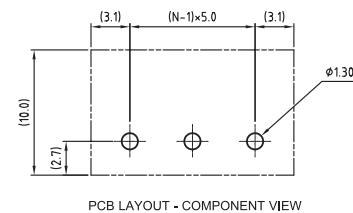
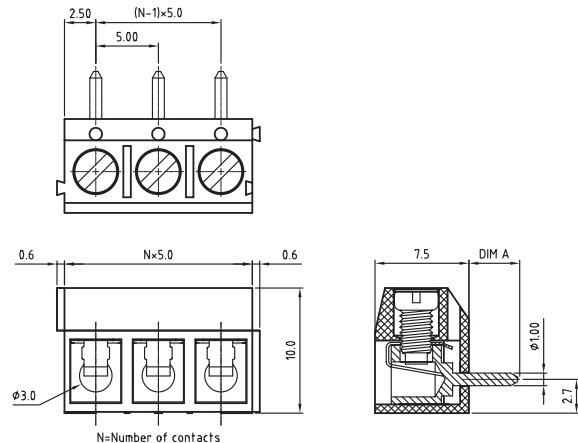
- Box

Note: Other pin number are available, based on combinations of 2 & 3pins, but they are not kept in stock and are subject to MOQ

Order Code	Pins	AWG	Approval Certification
691 102 710 002	2	See Mechanical characteristics	
691 102 710 003	3		

NEW

Serie 1047 - 5.0mm Vertical Entry Modular with Pressure Clamp - 1.5mm² Wires WR-TBL



MATERIAL

- Insulator material: PA 66
- Flammability rating: UL94-V0
- Colour: Blue
- Metal housing: Brass (CuZn)
- Terminal screw: Steel Zinc plating "L" slot type
- Wire guard: Stainless steel
- Surface of solder tail plating: Tin

ENVIRONMENTAL

- Operating temperature: -40 °C up to 105 °C
- Compliance: Lead free & RoHS
- Safety approval: See table

SOLDERING

- Solder temperature: JEDEC lead free wave soldering

ELECTRICAL

- Current rating: 16A
- Working voltage: 250Vac
- Withstanding voltage: 1.5kV
- Contact resistance: 20 mOhm max

MECHANICAL


- Solid wire: 22 - 14AWG / 0.75 - 1.5mm²
- Stranded wire: 22 - 16AWG / 1.31 - 1.5mm²
- Torque: 2.6Lb-In / 0.4Nm

- Wire strip length: 5 - 6mm
- Screw: M2.6
- Pitch: 5.0mm

PACKAGING

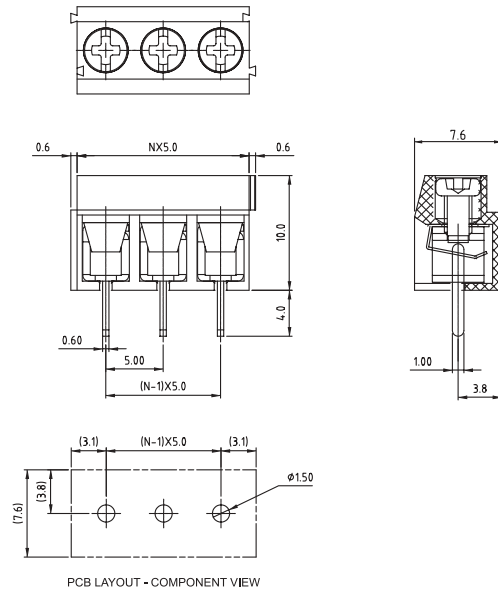
- Box

Note: Other pin number are available, based on combinations of 2 & 3pins, but they are not kept in stock and are subject to MOQ

Order Code	Pins	AWG	Approval Certification
691 104 700 002	2	See Mechanical characteristics	
691 104 700 003	3		



Serie 111 - 5.0mm Horizontal Entry Modular with Pressure Clamp - 2.0mm² Wires WR-TBL



MATERIAL

- Insulator material: PA 66
- Flammability rating: UL94-V0
- Colour: Green
- Metal housing: Brass (CuZn)
- Terminal screw: Steel Zinc plating "+/-" slot type
- Wire guard: Stainless steel
- Surface of solder tail plating: Tin

ENVIRONMENTAL

- Operating temperature: -40 °C up to 105 °C
- Compliance: Lead free & RoHS
- Safety approval: See table

SOLDERING

- Solder temperature: JEDEC lead free wave soldering

ELECTRICAL

- Current rating: 8A
- Working voltage: 300Vac
- Withstanding voltage: 1.6kV
- Contact resistance: 20 mOhm max

MECHANICAL

- Solid wire: 26 - 14AWG / 0.13 - 2.0mm²
- Stranded wire: 26 - 14AWG / 0.13 - 2.0mm²
- Torque: 2.6Lb-In - 0.4Nm

- Wire strip length: 5 - 6mm
- Screw: M2.5
- Pitch: 5.0mm

PACKAGING

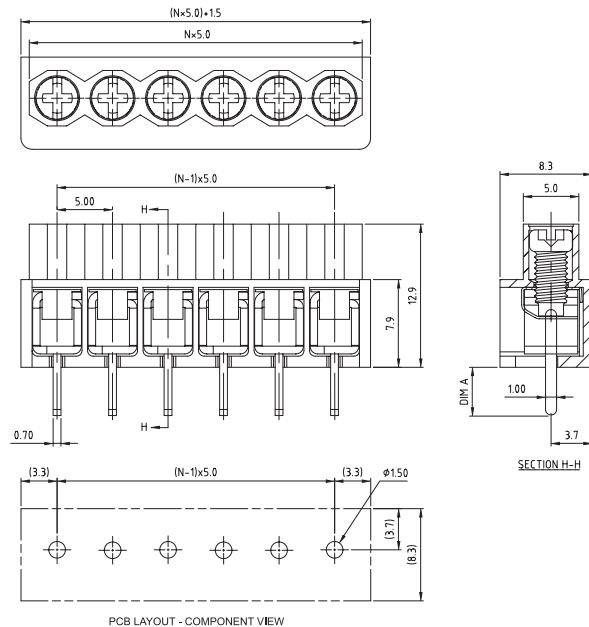
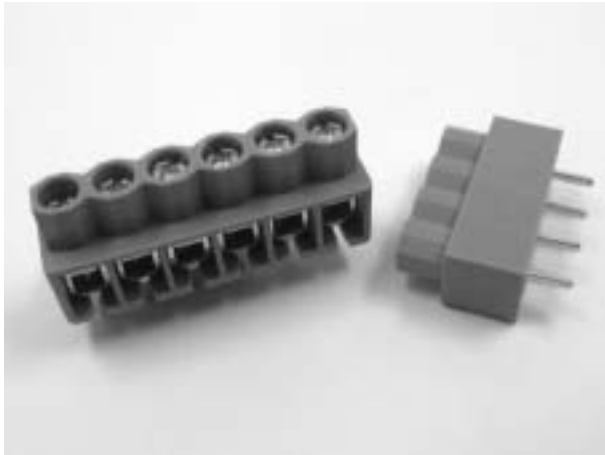
- Box

Note: Other pin number are available, based on combinations of 2 & 3pins, but they are not kept in stock and are subject to MOQ

Order Code	Pins	AWG	Approval Certification
691 111 710 002	2	See Mechanical characteristics	
691 111 710 003	3		



Serie 121 - 5.0mm Horizontal Entry with Pressure Clamp - 3.3mm² Wires WR-TBL



MATERIAL

- Insulator material: PA 66
- Flammability rating: UL94-V0
- Colour: Green
- Metal housing: Brass (CuZn)
- Terminal screw: Steel Zinc plating "+/-" slot type
- Wire guard: Stainless steel
- Surface of solder tail plating: Tin

ENVIRONMENTAL

- Operating temperature: -40 °C up to 105 °C
- Compliance: Lead free & RoHS
- Safety approval: See table

SOLDERING

- Solder temperature: JEDEC lead free wave soldering

ELECTRICAL

- Current rating: 10A
- Working voltage: 300Vac
- Withstanding voltage: 1.6kV
- Contact resistance: 20 mOhm max

MECHANICAL

- Solid wire: 20 - 12AWG / 0.5 - 3.3mm²
- Stranded wire: 20 - 12AWG / 0.5 - 3.3mm²
- Torque: 3.5Lb-In / 0.4Nm

- Wire strip length: 6 - 7mm
- Screw: M3
- Pitch: 5.0mm

PACKAGING

- Box

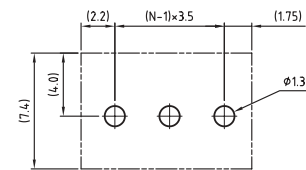
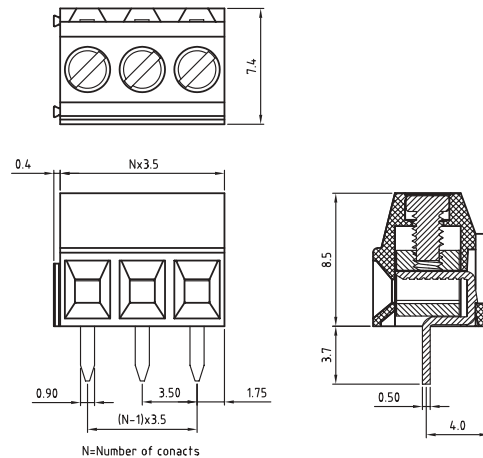
Note: Other pin number are available but subject to MOQ and not kept in stock

Order Code	Pins	AWG	Approval Certification
691 121 710 004	4	See Mechanical characteristics	
691 121 710 006	6		



NEW

Serie 2141 - 3.5mm Horizontal Entry Modular with Rising Cage Clamp - 1.5mm² Wires WR-TBL



PCB LAYOUT - COMPONENT VIEW



MATERIAL

- Insulator material: PA 66
- Flammability rating: UL94-V0
- Colour: Blue
- Metal housing: Brass (CuZn)
- Terminal screw: Steel Zinc plating "–" slot type
- Contacts: Brass

ENVIRONMENTAL

- Operating temperature: –40 °C up to 105 °C
- Compliance: Lead free & RoHS
- Safety approval: See table

SOLDERING

- Solder temperature: JEDEC lead free wave soldering

ELECTRICAL

- Current rating: 10A
- Working voltage: 300Vac
- Withstanding voltage: 1.6kV
- Contact resistance: 20 mOhm max

MECHANICAL

- Solid wire: 24 - 16AWG / 0.2 - 1.5mm²
- Stranded wire: 24 - 16AWG / 0.2 - 1.5mm²
- Torque: 1.7Lb-In / 0.23Nm

- Wire strip length: 5 - 6mm
- Screw: M2.0
- Pitch: 3.5mm

PACKAGING

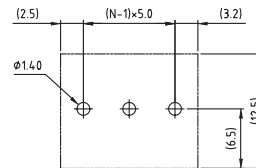
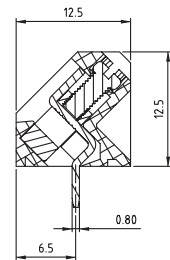
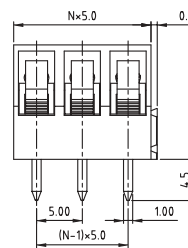
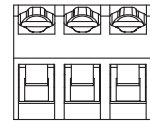
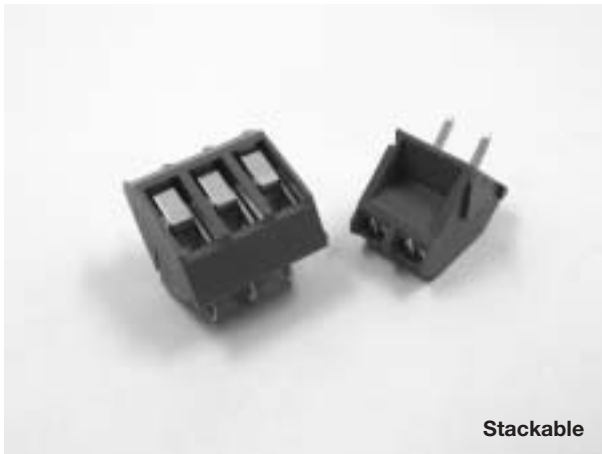
- Box

Note: Other pin number are available, based on combinations of 2 & 3pins, but they are not kept in stock and are subject to MOQ

Order Code	Pins	AWG	Approval Certification
691 214 110 002	2	See Mechanical characteristics	
691 214 110 003	3		



Serie 201 - 5.0mm 45° Entry Modular with Rising Cage Clamp - 3.5mm² Wires WR-TBL



PCB LAYOUT - COMPONENT VIEW



MATERIAL

- Insulator material: PA 66
- Flammability rating: UL94-V0
- Colour: Blue
- Metal housing: Brass (CuZn)
- Terminal screw: Steel Zinc plating "-" slot type
- Contacts: Brass

ENVIRONMENTAL

- Operating temperature: -40 °C up to 105 °C
- Compliance: Lead free & RoHS
- Safety approval: See table

SOLDERING

- Solder temperature: JEDEC lead free wave soldering

ELECTRICAL

- Current rating: 15A
- Working voltage: 300Vac
- Withstanding voltage: 1.6kV
- Contact resistance: 20 mOhm max

MECHANICAL

- Solid wire: 24 - 12AWG / 0.2 - 3.5mm²
- Stranded wire: 24 - 12AWG / 0.2 - 3.5mm²
- Torque: 3.5Lb-In / 0.4Nm

- Wire strip length: 6 - 7mm
- Screw: M2.5
- Pitch: 5.0mm

PACKAGING

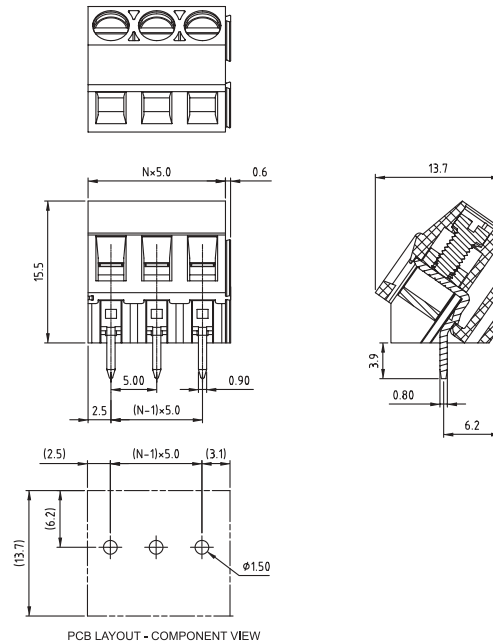
- Box

Note: Other pin number are available, based on combinations of 2 & 3pins, but they are not kept in stock and are subject to MOQ

Order Code	Pins	AWG	Approval Certification
691 201 720 002	2	See Mechanical characteristics	
691 201 720 003	3		



Serie 211 - 5.0mm 45° Entry Modular with Rising Cage Clamp - 15.5mm Height - 3.5mm² Wires WR-TBL



MATERIAL

- Insulator material: PA 66
- Flammability rating: UL94-V0
- Colour: Green
- Metal housing: Brass (CuZn)
- Terminal screw: Steel Zinc plating "–" slot type
- Contact: Brass
- Surface of solder tail plating: Tin

ENVIRONMENTAL

- Operating temperature: –40 °C up to 105 °C
- Compliance: Lead free & RoHS
- Safety approval: See table

SOLDERING

- Solder temperature: JEDEC lead free wave soldering

ELECTRICAL

- Current rating: 10A
- Working voltage: 300Vac
- Withstanding voltage: 1.6kV
- Contact resistance: 20 mOhm max

MECHANICAL

- Solid wire: 24 - 12AWG / 0.2 - 3.5mm²
- Stranded wire: 24 - 12AWG / 0.2 - 3.5mm²
- Torque: 3.5Lb-In / 0.4Nm

- Wire strip length: 6 - 7mm
- Screw: M2.5
- Pitch: 5.0mm

PACKAGING

- Box

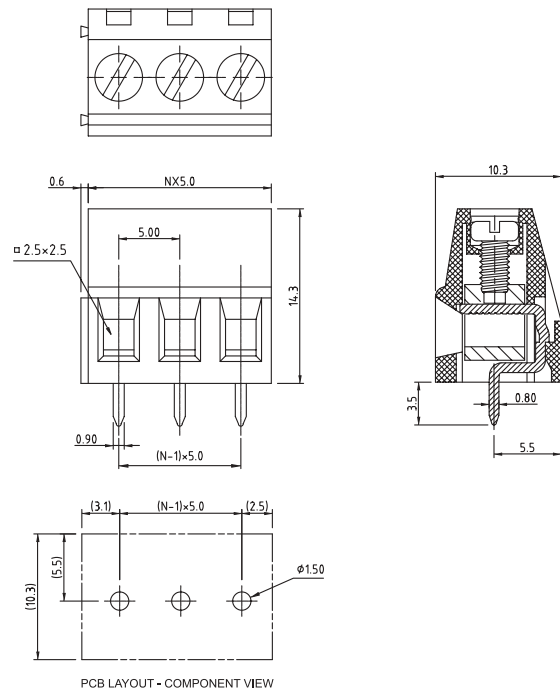
Note: Other pin number are available, based on combinations of 2 & 3pins, but they are not kept in stock and are subject to MOQ

Order Code	Pins	AWG	Approval Certification
691 211 720 002	2	See Mechanical characteristics	
691 211 720 003	3		

Serie 212 - 5.0mm Horizontal Entry Modular with Rising Cage Clamp - 3.5mm² Wires WR-TBL



Stackable



MATERIAL

- Insulator material: PA 66
- Flammability rating: UL94-V0
- Colour: Green
- Metal housing: Brass (CuZn)
- Terminal screw: Steel Zinc plating "–" slot type
- Contacts: Brass
- Surface of solder tail plating: Tin

ENVIRONMENTAL

- Operating temperature: –40 °C up to 105 °C
- Compliance: Lead free & RoHS
- Safety approval: See table

SOLDERING

- Solder temperature: JEDEC lead free wave soldering

ELECTRICAL

- Current rating: 10A
- Working voltage: 300Vac
- Withstanding voltage: 1.6kV
- Contact resistance: 20 mOhm max

MECHANICAL


- Solid wire: 22 - 12 AWG / 0.3 - 3.5mm²
- Stranded wire: 22 - 12 AWG / 0.3 - 3.5mm²
- Torque: 3.5Lb-In / 0.4Nm

- Wire strip length: 6 - 7mm
- Screw: M2.5
- Pitch: 5.0mm

PACKAGING

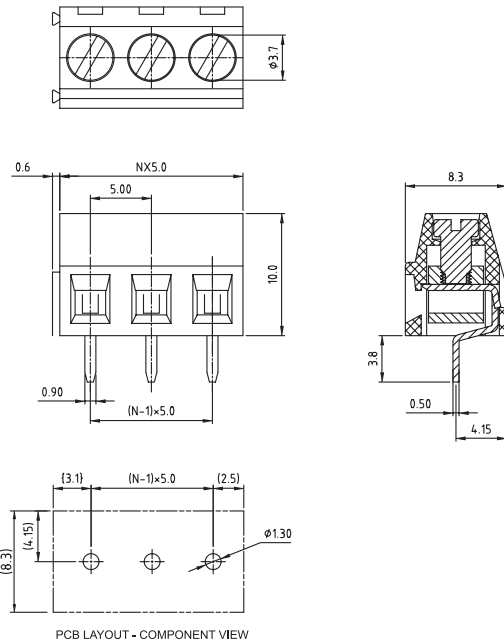
- Box

Note: Other pin number are available, based on combinations of 2 & 3pins, but they are not kept in stock and are subject to MOQ

Order Code	Pins	AWG	Approval Certification
691 212 710 002	2	See Mechanical characteristics	
691 212 710 003	3		



Serie 213 - 5.0mm Horizontal Entry Modular with Rising Cage Clamp - 1.5mm² Wires WR-TBL



MATERIAL

- Insulator material: PA 66
- Flammability rating: UL94-V0
- Colour: Green
- Metal housing: Brass (CuZn)
- Terminal screw: Steel Zinc plating "–" slot type
- Contacts: Brass
- Surface of solder tail plating: Tin

ENVIRONMENTAL

- Operating temperature: –40 °C up to 105 °C
- Compliance: Lead free & RoHS
- Safety approval: See table

SOLDERING

- Solder temperature: JEDEC lead free wave soldering

ELECTRICAL

- Current rating: 10A
- Working voltage: 300Vac
- Withstanding voltage: 1.6kV
- Contact resistance: 20 mOhm max

MECHANICAL

- Solid wire: 26 - 16AWG / 0.13 - 1.5mm²
- Stranded wire: 26 - 16AWG / 0.13 - 1.5mm²
- Torque: 3.5Lb-In / 0.4Nm

- Wire strip length: 5 - 6mm
- Screw: M2.5
- Pitch: 5.0mm

PACKAGING

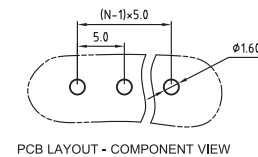
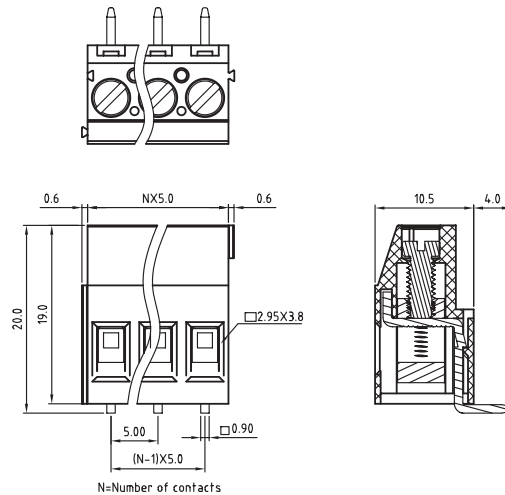
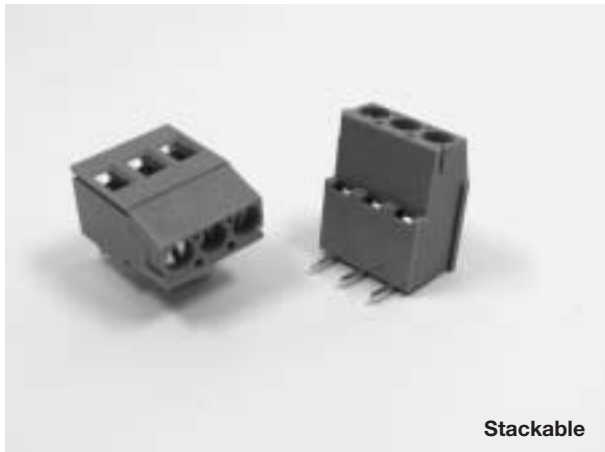
- Box

Note: Other pin number are available, based on combinations of 2 & 3pins, but they are not kept in stock and are subject to MOQ

Order Code	Pins	AWG	Approval Certification
691 213 710 002	2	See Mechanical characteristics	
691 213 710 003	3		

NEW

Serie 2157 - 5.0mm Vertical Entry Modular with Rising Cage Clamp - 3.5mm² Wires WR-TBL



MATERIAL

- Insulator material: PA 66
- Flammability rating: UL94-V0
- Colour: Green
- Metal housing: Brass (CuZn)
- Terminal screw: Steel Zinc plating "–" slot type
- Contacts: Brass
- Surface of solder tail plating: Tin

ENVIRONMENTAL

- Operating temperature: –40 °C up to 105 °C
- Compliance: Lead free & RoHS
- Safety approval: See table

SOLDERING

- Solder temperature: JEDEC lead free wave soldering

ELECTRICAL

- Current rating: 20A
- Working voltage: 300Vac
- Withstanding voltage: 1.6kV
- Contact resistance: 20 mOhm max

MECHANICAL


- Solid wire: 30 - 12AWG / 0.05 - 3.5mm²
- Stranded wire: 30 - 12AWG / 0.05 - 3.5mm²
- Torque: 3.5Lb-In / 0.4Nm

- Wire strip length: 6 - 7mm
- Screw: M3.0
- Pitch: 5.0mm

PACKAGING

- Box

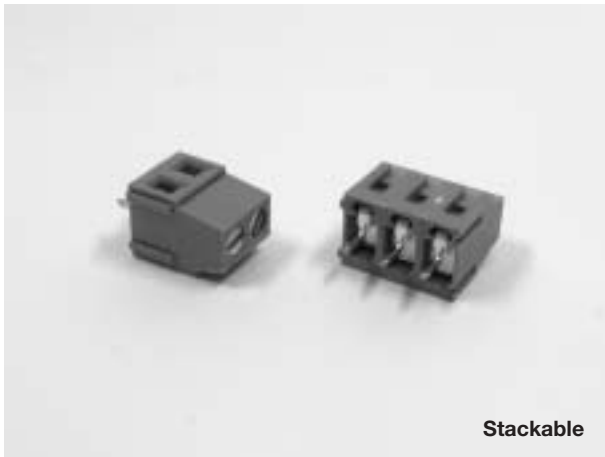
Note: Other pin number are available, based on combinations of 2 & 3pins, but they are not kept in stock and are subject to MOQ

Order Code	Pins	AWG	Approval Certification
691 215 700 002	2	See Mechanical characteristics	
691 215 700 003	3		

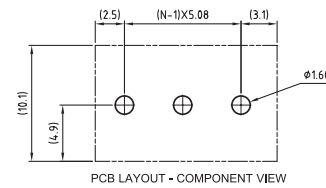
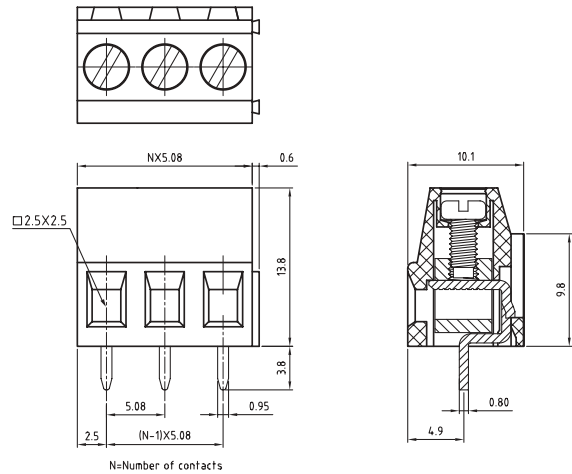


NEW

Serie 2165 - 5.08mm Horizontal Entry Modular with Rising Cage Clamp - 3.5mm² Wires WR-TBL



Stackable



MATERIAL

- Insulator material: To define
- Flammability rating: UL94-V0
- Colour: Green
- Metal housing: Brass (CuZn)
- Terminal screw: Steel Zinc plating "-” slot type
- Contacts: Brass
- Surface of solder tail plating: Tin

ENVIRONMENTAL

- Operating temperature: -40 °C up to 105 °C
- Compliance: Lead free & RoHS
- Safety approval: See table

SOLDERING

- Solder temperature: JEDEC lead free wave soldering

ELECTRICAL

- Current rating: 10A
- Working voltage: 300Vac
- Withstanding voltage: 1.6kV
- Contact resistance: 20 mOhm max

MECHANICAL

- Solid wire: 24 - 12AWG / 0.20 - 3.5mm²
- Stranded wire: 24 - 12AWG / 0.20 - 3.5mm²
- Torque: 3.5Lb-In / 0.4Nm

- Wire strip length: 6 - 7mm
- Screw: M2.5
- Pitch: 5.08mm

PACKAGING

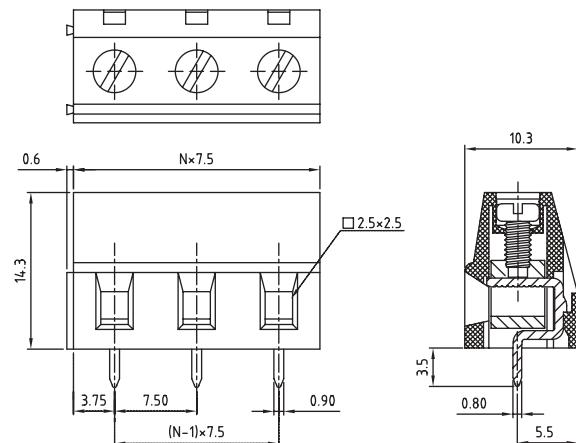
- Box

Note: Other pin number are available, based on combinations of 2 & 3pins, but they are not kept in stock and are subject to MOQ

Order Code	Pins	AWG	Approval Certification
691 216 510 002	2	See Mechanical characteristics	
691 216 510 003	3		

NEW

Serie 2179 - 7.50mm Horizontal Entry Modular with Rising Cage Clamp - 4.0mm² Wires WR-TBL



PCB LAYOUT - COMPONENT VIEW

**MATERIAL**

- Insulator material: PA 66
- Flammability rating: UL94-V0
- Colour: Green
- Metal housing: Brass (CuZn)
- Terminal screw: Steel Zinc plating "–" slot type
- Contacts: Brass
- Surface of solder tail plating: Tin

ENVIRONMENTAL

- Operating temperature: –40 °C up to 105 °C
- Compliance: Lead free & RoHS
- Safety approval: See table

SOLDERING

- Solder temperature: JEDEC lead free wave soldering

ELECTRICAL

- Current rating: 10A
- Working voltage: 300Vac
- Withstanding voltage: 1.6kV
- Contact resistance: 20 mOhm max

MECHANICAL

- Solid wire: 22 - 12AWG / 0.34 - 4.0mm²
- Stranded wire: 22 - 12AWG / 0.34 - 4.0mm²
- Torque: 3.5Lb-In / 0.4Nm



- Wire strip length: 6 - 7mm

- Screw: M2.5
- Pitch: 7.50mm

PACKAGING

- Box

Note: Other pin number are available, based on combinations of 2 & 3pins, but they are not kept in stock and are subject to MOQ

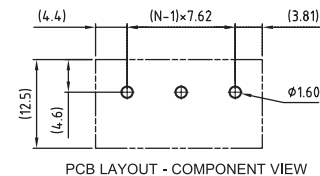
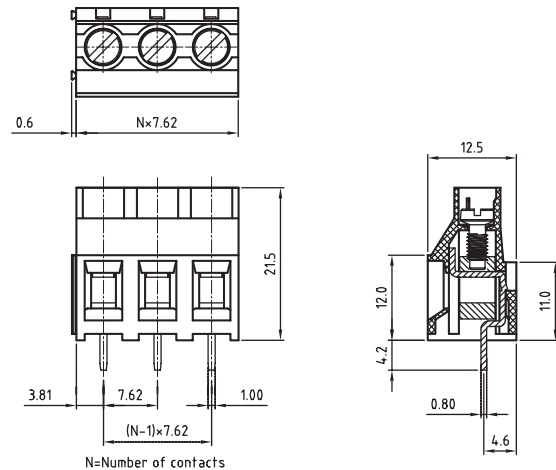
Order Code	Pins	AWG	Approval Certification
691 217 910 002	2	See Mechanical characteristics	 
691 217 910 003	3		

NEW

Serie 2184 - 7.62mm Horizontal Entry Modular with Rising Cage Clamp - 5.3mm² Wires WR-TBL



Stackable



MATERIAL

- Insulator material: PA 66
- Flammability rating: UL94-V0
- Colour: Green
- Metal housing: Brass (CuZn)
- Terminal screw: Steel Zinc plating "–" slot type
- Contacts: Brass
- Surface of solder tail plating: Tin

ENVIRONMENTAL

- Operating temperature: –40 °C up to 105 °C
- Compliance: Lead free & RoHS
- Safety approval: See table

SOLDERING

- Solder temperature: JEDEC lead free wave soldering

ELECTRICAL

- Current rating: 30A
- Working voltage: 300Vac
- Withstanding voltage: 1.6kV
- Contact resistance: 20 mOhm max

MECHANICAL


- Solid wire: 24 - 10AWG / 0.20 - 5.3mm²
- Stranded wire: 24 - 10AWG / 0.20 - 5.3mm²
- Torque: 8.9Lb-In / 1.0Nm

- Wire strip length: 6 - 7mm
- Screw: M3.5
- Pitch: 7.62mm

PACKAGING

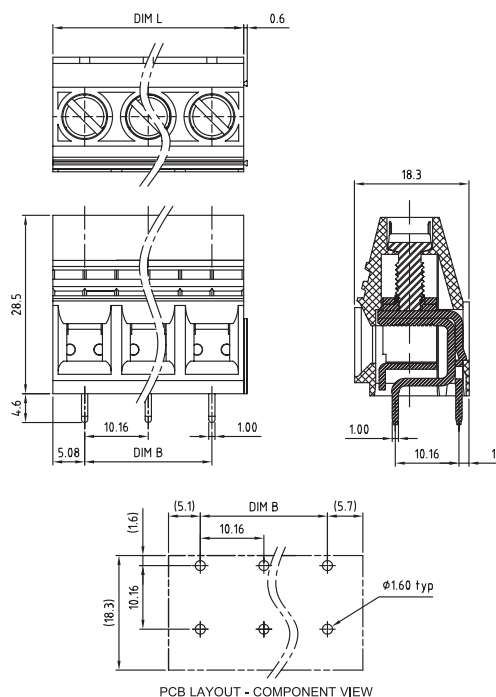
- Box

Note: Other pin number are available, based on combinations of 2 & 3pins, but they are not kept in stock and are subject to MOQ

Order Code	Pins	AWG	Approval Certification
691 218 410 002	2	See Mechanical characteristics	
691 218 410 003	3		

NEW

Serie 2196 - 10.16mm Horizontal Entry Modular with Rising Cage Clamp - 8.5mm² Wires WR-TBL



MATERIAL

- Insulator material: PA 66
- Flammability rating: UL94-V0
- Colour: Grey
- Metal housing: Brass (CuZn)
- Terminal screw: Steel Zinc plating "-"- slot type
- Contacts: Brass
- Surface of solder tail plating: Tin

ENVIRONMENTAL

- Operating temperature: -40 °C up to 105 °C
- Compliance: Lead free & RoHS
- Safety approval: See table

SOLDERING

- Solder temperature: JEDEC lead free wave soldering

ELECTRICAL

- Current rating: 57A
- Working voltage: 300Vac
- Withstanding voltage: 1.6kV
- Contact resistance: 20 mOhm max

MECHANICAL


- Solid wire: 22 - 8AWG / 0.30 - 8.5mm²
- Stranded wire: 22 - 8AWG / 0.30 - 8.5mm²
- Torque: 19Lb-In / 2.15Nm

- Wire strip length: 10 - 11mm
- Screw: M4.5
- Pitch: 10.16mm

PACKAGING

- Box

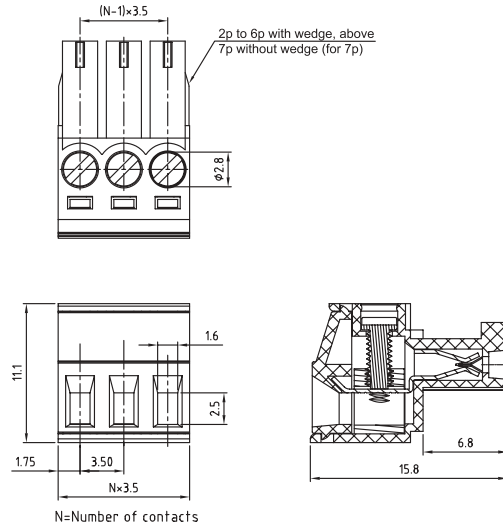
Note: Other pin number are available, based on combinations of 2 & 3pins, but they are not kept in stock and are subject to MOQ

Order Code	Pins	AWG	Approval Certification
691 219 610 002	2	See Mechanical characteristics	
691 219 610 003	3		



NEW

Serie 3611 - 3.50mm Vertical Cable Entry Plug - 1.5mm² Wires WR-TBL



MATERIAL

- Insulator material: PA 66
- Flammability rating: UL94-V0
- Colour: Green
- Metal housing: Brass (CuZn)
- Terminal screw: Steel Zinc plating “-” slot type
- Wire guard: PhBz, Tin plated

ENVIRONMENTAL

- Operating temperature: -40 °C up to 105 °C
- Compliance: Lead free & RoHS
- Safety approval: See table

ELECTRICAL

- Current rating: cULus 10A, VDE 10.5A
- Working voltage: 300Vac, 300Vac
- Withstanding voltage: 1.6kV, 2.5kV
- Contact resistance: 20 mOhm max

MECHANICAL

- Solid wire: 26 - 16AWG / 0.13 - 1.5mm²
- Stranded wire: 26 - 16AWG / 0.13 - 1.5mm²
- Torque: 3Lb-In / 0.2Nm
- Wire strip length: 6 - 7mm
- Screw: M2
- Pitch: 3.50mm

PACKAGING

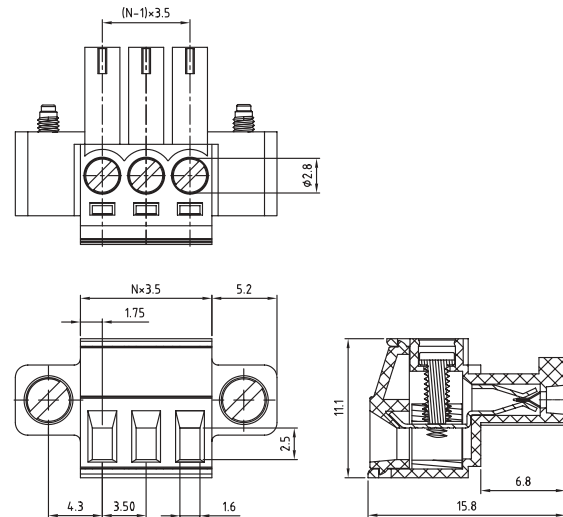
- Box

Note: Other pin number, 07 and 09 to 24, can be delivered but they are not kept in stock and are subject to MOQ

Order Code	Pins	AWG	Approval Certification
691 361 100 002	2	See Mechanical characteristics	
691 361 100 003	3		
691 361 100 004	4		
691 361 100 005	5		
691 361 100 006	6		
691 361 100 008	8		

NEW

Serie 3641 - 3.50mm Vertical Cable Entry Plug with Flanges - 1.5mm² Wires WR-TBL



N=Number of contacts



MATERIAL

- Insulator material: PA 66
- Flammability rating: UL94-V0
- Colour: Green
- Metal housing: Brass (CuZn)
- Terminal screw: Steel Zinc plating "L" slot type
- Wire guard: PhBz, Tin plated
- Flange screw: Steel M2.5

ENVIRONMENTAL

- Operating temperature: -40 °C up to 105 °C
- Compliance: Lead free & RoHS
- Safety approval: See table

ELECTRICAL

- Current rating: 10A
- Working voltage: 300Vac
- Withstanding voltage: 1.6kV
- Contact resistance: 20 mOhm max

MECHANICAL



- Solid wire: 26 - 16AWG / 0.13 - 1.5mm²
- Stranded wire: 26 - 16AWG / 0.13 - 1.5mm²
- Torque: 3Lb-In / 0.2Nm

- Wire strip length: 6 - 7mm
- Screw: M2
- Pitch: 3.50mm

PACKAGING

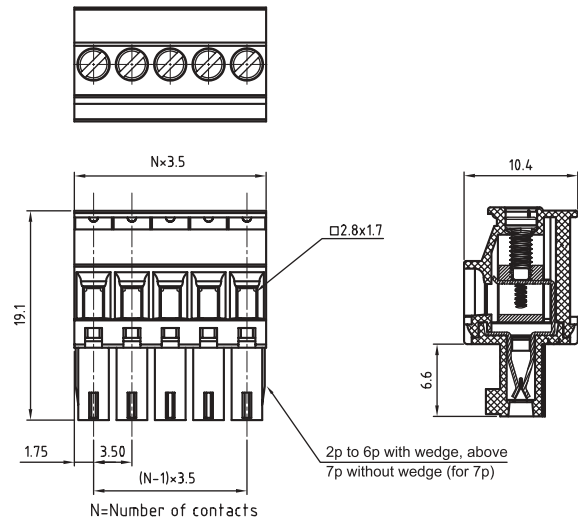
- Box

Note: Other pin number, 07 and 09 to 24, can be delivered but they are not kept in stock and are subject to MOQ

Order Code	Pins	AWG	Approval Certification
691 364 100 002	2	See Mechanical characteristics	 
691 364 100 003	3		
691 364 100 004	4		
691 364 100 005	5		
691 364 100 006	6		
691 364 100 008	8		

NEW

Serie 3631 - 3.50mm Horizontal Cable Entry Plug with Hook on Wire Side - 1.5mm² Wires WR-TBL



MATERIAL

- Insulator material: PA 66
- Flammability rating: UL94-V0
- Colour: Green
- Metal housing: Brass (CuZn)
- Terminal screw: Steel Zinc plating "-" slot type
- Wire guard: PhBz, Tin plated

ENVIRONMENTAL

- Operating temperature: -40 °C up to 105 °C
- Compliance: Lead free & RoHS
- Safety approval: See table

ELECTRICAL

- Current rating: 8A
- Working voltage: 300Vac
- Withstanding voltage: 1.6kV
- Contact resistance: 20 mOhm max

MECHANICAL


- Solid wire: 28 - 16AWG / 0.08 - 1.5mm²
- Stranded wire: 28 - 16AWG / 0.08 - 1.5mm²
- Torque: 1.7Lb-In / 0.2Nm

- Wire strip length: 6 - 7mm
- Screw: M2
- Pitch: 3.50mm

PACKAGING

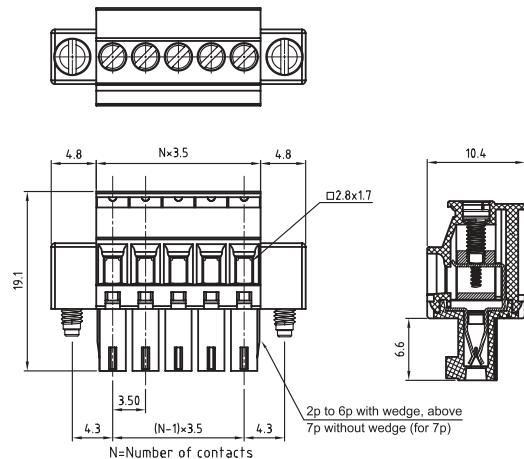
- Box

Note: Other pin number, 07 and 09 to 24, can be delivered but they are not kept in stock and are subject to MOQ

Order Code	Pins	AWG	Approval Certification
691 363 110 002	2	See Mechanical characteristics	
691 363 110 003	3		
691 363 110 004	4		
691 363 110 005	5		
691 363 110 006	6		
691 363 110 008	8		

NEW

Serie 3651 - 3.50mm Horizontal Cable Entry Plug with Hook on Wire Side - 1.5mm² Wires WR-TBL



MATERIAL

- Insulator material: PA 66
- Flammability rating: UL94-V0
- Colour: Green
- Metal housing: Brass (CuZn)
- Terminal screw: Steel Zinc plating "–" slot type
- Wire guard: PhBz, Tin plated
- Flange screw: Steel M2.5

ENVIRONMENTAL

- Operating temperature: –40 °C up to 105 °C
- Compliance: Lead free & RoHS
- Safety approval: See table

ELECTRICAL

- Current rating: 8A
- Working voltage: 300Vac
- Withstanding voltage: 1.6kV
- Contact resistance: 20 mOhm max

MECHANICAL


- Solid wire: 26 - 16AWG / 0.13 - 1.5mm²
- Stranded wire: 26 - 16AWG / 0.13 - 1.5mm²
- Torque: 1.7Lb-In / 0.2Nm

- Wire strip length: 6 - 7mm
- Screw: M2
- Pitch: 3.50mm

PACKAGING

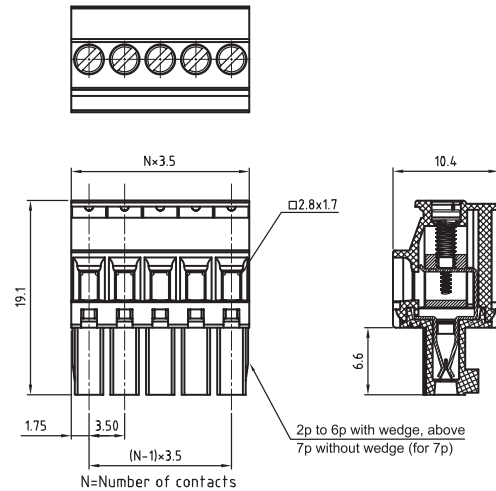
- Box

Note: Other pin number, 07 and 09 to 24, can be delivered but they are not kept in stock and are subject to MOQ

Order Code	Pins	AWG	Approval Certification
691 365 110 002	2	See Mechanical characteristics	
691 365 110 003	3		
691 365 110 004	4		
691 365 110 005	5		
691 365 110 006	6		
691 365 110 008	8		

NEW

Serie 3661 - 3.50mm Horizontal Cable Entry Plug with Hook on Back Side - 1.5mm² Wires WR-TBL



MATERIAL

- Insulator material: PA 66
- Flammability rating: UL94-V0
- Colour: Green
- Metal housing: Brass (CuZn)
- Terminal screw: Steel Zinc plating “-” slot type
- Wire guard: PhBz, Tin plated

ENVIRONMENTAL

- Operating temperature: -40 °C up to 105 °C
- Compliance: Lead free & RoHS
- Safety approval: See table

ELECTRICAL

- Current rating: 8A
- Working voltage: 300Vac
- Withstanding voltage: 1.6kV
- Contact resistance: 20 mOhm max

MECHANICAL


- Solid wire: 28 - 16AWG / 0.08 - 1.5mm²
- Stranded wire: 28 - 16AWG / 0.08 - 1.5mm²
- Torque: 1.7Lb-In / 0.2Nm

- Wire strip length: 6 - 7mm
- Screw: M2
- Pitch: 3.50mm

PACKAGING

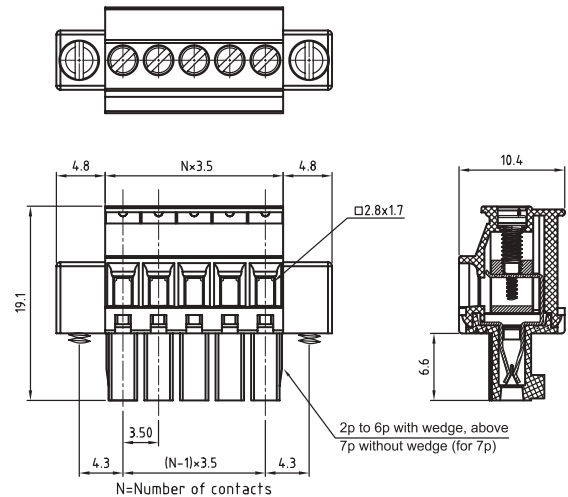
- Box

Note: Other pin number, 07 and 09 to 24, can be delivered but they are not kept in stock and are subject to MOQ

Order Code	Pins	AWG	Approval Certification
691 366 110 002	2	See Mechanical characteristics	
691 366 110 003	3		
691 366 110 004	4		
691 366 110 005	5		
691 366 110 006	6		
691 366 110 008	8		

NEW

Serie 3671 - 3.50mm Horiz. Cable Entry Plug with Flanges & Hook on Back Side - 1.5mm² Wires WR-TBL



MATERIAL

- Insulator material: PA 66
- Flammability rating: UL94-V0
- Colour: Green
- Metal housing: Brass (CuZn)
- Terminal screw: Steel Zinc plating "L" slot type
- Wire guard: PhBz, Tin plated
- Flange screw: Steel M2.5

ENVIRONMENTAL

- Operating temperature: -40 °C up to 105 °C
- Compliance: Lead free & RoHS
- Safety approval: See table

ELECTRICAL

- Current rating: 8A
- Working voltage: 300Vac
- Withstanding voltage: 1.6kV
- Contact resistance: 20 mOhm max

MECHANICAL


- Solid wire: 26 - 16AWG / 0.13 - 1.5mm²
- Stranded wire: 26 - 16AWG / 0.13 - 1.5mm²
- Torque: 1.7Lb-In / 0.2Nm

- Wire strip length: 6 - 7mm
- Screw: M2
- Pitch: 3.50mm

PACKAGING

- Box

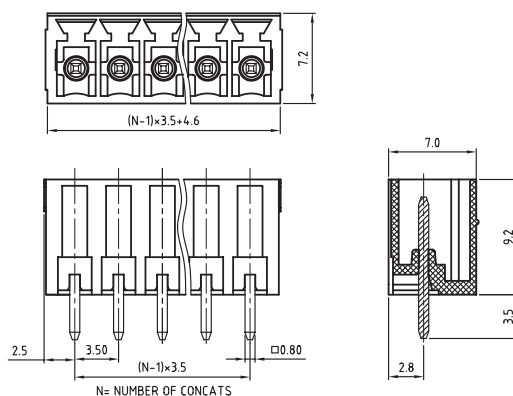
Note: Other pin number, 07 and 09 to 24, can be delivered but they are not kept in stock and are subject to MOQ

Order Code	Pins	AWG	Approval Certification
691 367 110 002	2	See Mechanical characteristics	
691 367 110 003	3		
691 367 110 004	4		
691 367 110 005	5		
691 367 110 006	6		
691 367 110 008	8		



NEW

Serie 3211 - 3.50mm Vertical PCB Header WR-TBL



PCB LAYOUT - COMPONENT VIEW



MATERIAL

- Insulator material: PA 66
- Flammability rating: UL94-V0
- Colour: Green
- Contact PIN: Brass (CuZn)
- Surface of solder tail plating: Tin

ENVIRONMENTAL

- Operating temperature: -40 °C up to 105 °C
- Compliance: Lead free & RoHS
- Safety approval: See table

SOLDERING

- Solder temperature: JEDEC lead free wave soldering

ELECTRICAL

- | | | |
|-------------------------|-------------|--------|
| | cULus | VDE |
| • Current rating: | 10A | 10.5A |
| • Working voltage: | 300Vac | 300Vac |
| • Withstanding voltage: | 1.6kV | 2.5kV |
| • Contact resistance: | 20 mOhm max | |

MECHANICAL

- Pitch: 3.50mm

PACKAGING

- Box

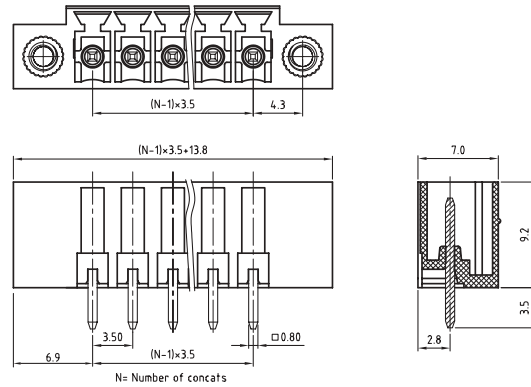
Note: Other pin number, 07 and 09 to 24, can be delivered but they are not kept in stock and are subject to MOQ

Order Code	Pins	AWG	Approval Certification
691 321 100 002	2	See Mechanical characteristics	
691 321 100 003	3		
691 321 100 004	4		
691 321 100 005	5		
691 321 100 006	6		
691 321 100 008	8		



NEW

Serie 3231 - 3.50mm Vertical PCB Header with Flanges WR-TBL



MATERIAL

- Insulator material: PA 66
- Flammability rating: UL94-V0
- Colour: Green
- Contact PIN: Brass (CuZn)
- Surface of solder tail plating: Tin
- Flange screw nut: Brass M2.5

ENVIRONMENTAL

- Operating temperature: -40 °C up to 105 °C
- Compliance: Lead free & RoHS
- Safety approval: See table

SOLDERING

- Solder temperature: JEDEC lead free wave soldering

ELECTRICAL

- Current rating: cULus 10A, VDE 10.5A
- Working voltage: 300Vac, 300Vac
- Withstanding voltage: 1.6kV, 2.5kV
- Contact resistance: 20 mOhm max

MECHANICAL

- Pitch: 3.50mm

PACKAGING

- Box

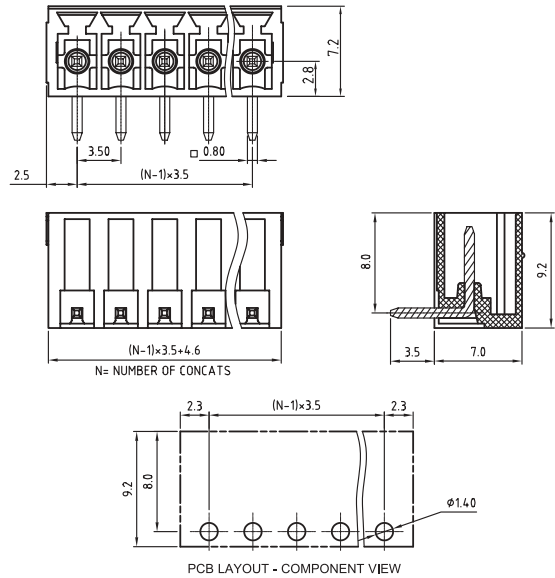
Note: Other pin number, 07 and 09 to 24, can be delivered but they are not kept in stock and are subject to MOQ

Order Code	Pins	AWG	Approval Certification
691 323 100 002	2	See Mechanical characteristics	
691 323 100 003	3		
691 323 100 004	4		
691 323 100 005	5		
691 323 100 006	6		
691 323 100 008	8		



NEW

Serie 3221 - 3.50mm Horizontal PCB Header WR-TBL



MATERIAL

- Insulator material: PA 66
- Flammability rating: UL94-V0
- Colour: Green
- Contact PIN: Brass (CuZn)
- Surface of solder tail plating: Tin

ENVIRONMENTAL

- Operating temperature: -40 °C up to 105 °C
- Compliance: Lead free & RoHS
- Safety approval: See table

SOLDERING

- Solder temperature: JEDEC lead free wave soldering

ELECTRICAL

- Current rating: cULus 10A, VDE 10.5A
- Working voltage: 300Vac, 300Vac
- Withstanding voltage: 1.6kV, 2.5kV
- Contact resistance: 20 mOhm max

MECHANICAL

- Pitch: 3.50mm

PACKAGING

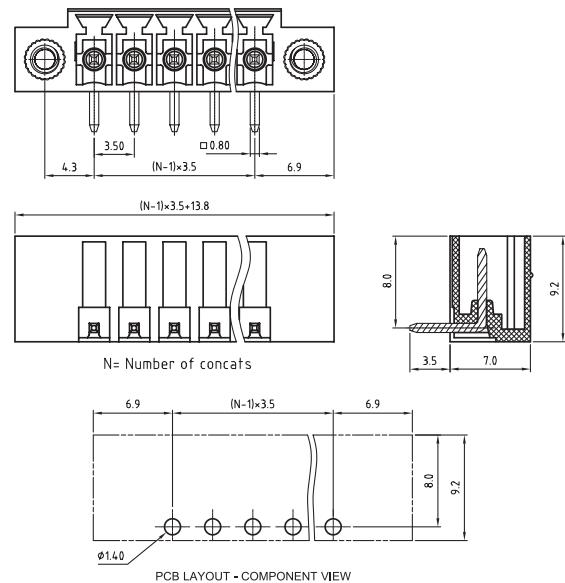
- Box

Note: Other pin number, 07 and 09 to 24, can be delivered but they are not kept in stock and are subject to MOQ

Order Code	Pins	AWG	Approval Certification
691 322 110 002	2	See Mechanical characteristics	
691 322 110 003	3		
691 322 110 004	4		
691 322 110 005	5		
691 322 110 006	6		
691 322 110 008	8		

NEW

Serie 3251 - 3.50mm Horizontal PCB Header with Flanges WR-TBL



MATERIAL

- Insulator material: PA 66
- Flammability rating: UL94-V0
- Colour: Green
- Contact PIN: Brass (CuZn)
- Surface of solder tail plating: Tin
- Flange screw nut: Brass M2.5

ENVIRONMENTAL

- Operating temperature: -40 °C up to 105 °C
- Compliance: Lead free & RoHS
- Safety approval: See table

SOLDERING

- Solder temperature: JEDEC lead free wave soldering

ELECTRICAL

- | | | |
|-------------------------|-------------|--------|
| | cULus | VDE |
| • Current rating: | 10A | 10.5A |
| • Working voltage: | 300Vac | 300Vac |
| • Withstanding voltage: | 1.6kV | 2.5kV |
| • Contact resistance: | 20 mOhm max | |



MECHANICAL

- Pitch: 3.50mm

PACKAGING

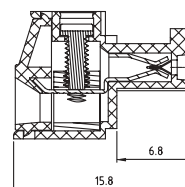
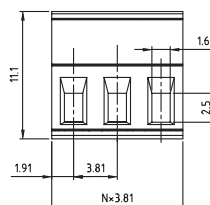
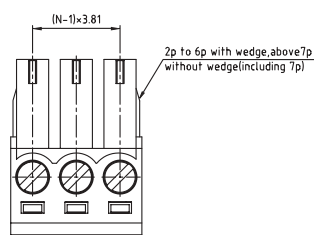
- Box

Note: Other pin number, 07 and 09 to 24, can be delivered but they are not kept in stock and are subject to MOQ

Order Code	Pins	AWG	Approval Certification
691 325 110 002	2	See Mechanical characteristics	 
691 325 110 003	3		
691 325 110 004	4		
691 325 110 005	5		
691 325 110 006	6		
691 325 110 008	8		

EXTENDED
RANGE

Serie 361 - 3.81mm Vertical Cable Entry Plug - 1.5mm² Wires WR-TBL



MATERIAL

- Insulator material: PA 66
- Flammability rating: UL94-V0
- Colour: Green
- Metal housing: Brass (CuZn)
- Terminal screw: Steel Zinc plating "-" slot type
- Wire guard: PhBz Tin plated

ENVIRONMENTAL

- Operating temperature: -40 °C up to 105 °C
- Compliance: Lead free & RoHS
- Safety approval: See table

ELECTRICAL

- Current rating: 10A
- Working voltage: 300Vac
- Withstanding voltage: 1.6kV
- Contact resistance: 20 mOhm max

cULus	VDE
10A	10.5A
300Vac	300Vac
1.6kV	2.5kV

MECHANICAL



- Solid wire: 26 - 16AWG / 0.13 - 1.5mm²
- Stranded wire: 26 - 16AWG / 0.13 - 1.5mm²
- Torque: 3.0Lb-In / 0.2Nm

- Wire strip length: 6 - 7mm
- Screw: M2
- Pitch: 3.81mm

PACKAGING

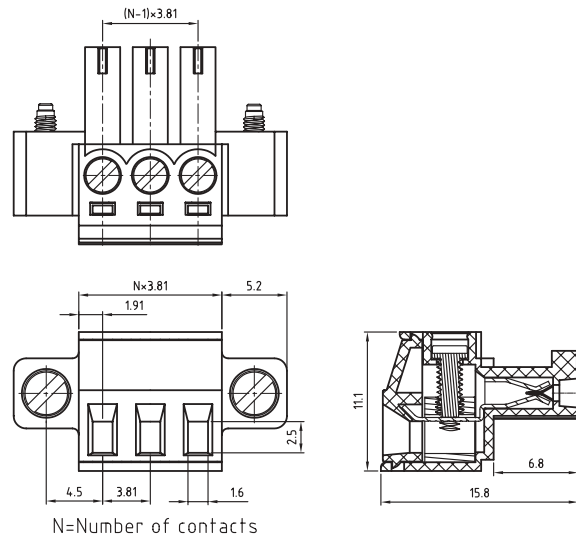
- Box

0 xx = 02 to 24pin

Order Code	Pins	AWG	Approval Certification
691 361 300 0 xx	2 to 24	See Mechanical characteristics	 

NEW

Serie 3643 - 3.81mm Vertical Cable Entry Plug with Flanges Screw - 1.5mm² Wires WR-TBL



MATERIAL

- Insulator material: PA 66
- Flammability rating: UL94-V0
- Colour: Green
- Metal housing: Brass (CuZn)
- Terminal screw: Steel Zinc plating "L" slot type
- Wire guard: PhBz, Tin plated
- Flange screw: Steel M2.5

ENVIRONMENTAL

- Operating temperature: -40 °C up to 105 °C
- Compliance: Lead free & RoHS
- Safety approval: See table

ELECTRICAL

- Current rating: 10A
- Working voltage: 300Vac
- Withstanding voltage: 1.6kV
- Contact resistance: 20 mOhm max

MECHANICAL


- Solid wire: 26 - 16AWG / 0.13 - 1.5mm²
- Stranded wire: 26 - 16AWG / 0.13 - 1.5mm²
- Torque: 3Lb-In / 0.2Nm

- Wire strip length: 6 - 7mm
- Screw: M2
- Pitch: 3.81mm

PACKAGING

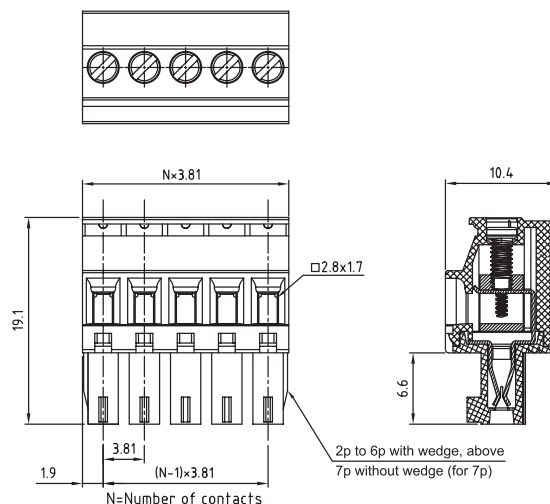
- Box

Note: Other pin number, 07 and 09 to 24, can be delivered but they are not kept in stock and are subject to MOQ

Order Code	Pins	AWG	Approval Certification
691 364 300 002	2	See Mechanical characteristics	
691 364 300 003	3		
691 364 300 004	4		
691 364 300 005	5		
691 364 300 006	6		
691 364 300 008	8		

NEW

Serie 3633 - 3.81mm Horizontal Cable Entry Plug with Hook on Wire Side - 1.5mm² Wires WR-TBL



MATERIAL

- Insulator material: PA 66
- Flammability rating: UL94-V0
- Colour: Green
- Metal housing: Brass (CuZn)
- Terminal screw: Steel Zinc plating “-” slot type
- Wire guard: PhBz, Tin plated

ENVIRONMENTAL

- Operating temperature: -40 °C up to 105 °C
- Compliance: Lead free & RoHS
- Safety approval: See table

ELECTRICAL

- Current rating: 8A
- Working voltage: 300Vac
- Withstanding voltage: 1.6kV
- Contact resistance: 20 mOhm max

MECHANICAL


- Solid wire: 28 - 16AWG / 0.08 - 1.5mm²
- Stranded wire: 28 - 16AWG / 0.08 - 1.5mm²
- Torque: 1.7Lb-In / 0.2Nm

- Wire strip length: 6 - 7mm
- Screw: M2
- Pitch: 3.81mm

PACKAGING

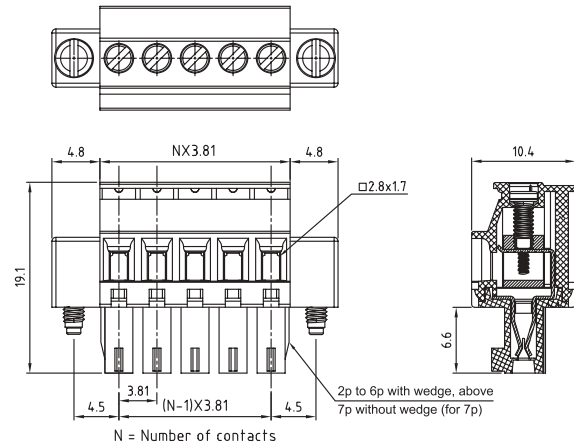
- Box

Note: Other pin number, 07 and 09 to 24, can be delivered but they are not kept in stock and are subject to MOQ

Order Code	Pins	AWG	Approval Certification
691 363 310 002	2	See Mechanical characteristics	
691 363 310 003	3		
691 363 310 004	4		
691 363 310 005	5		
691 363 310 006	6		
691 363 310 008	8		

NEW

Serie 3653 - 3.81mm Horizontal Cable Entry Plug with Flanges & Hook on Wire Side - 1.5mm² Wires WR-TBL



MATERIAL

- Insulator material: PA 66
- Flammability rating: UL94-V0
- Colour: Green
- Metal housing: Brass (CuZn)
- Terminal screw: Steel Zinc plating "–" slot type
- Wire guard: PhBz, Tin plated
- Flange screw: Steel M2.5

ENVIRONMENTAL

- Operating temperature: –40 °C up to 105 °C
- Compliance: Lead free & RoHS
- Safety approval: See table

ELECTRICAL

- Current rating: 8A
- Working voltage: 300Vac
- Withstanding voltage: 1.6kV
- Contact resistance: 20 mOhm max

MECHANICAL


- Solid wire: 28 - 16AWG / 0.08 - 1.5mm²
- Stranded wire: 28 - 16AWG / 0.08 - 1.5mm²
- Torque: 1.7Lb-In / 0.2Nm

- Wire strip length: 6 - 7mm
- Screw: M2
- Pitch: 3.81mm

PACKAGING

- Box

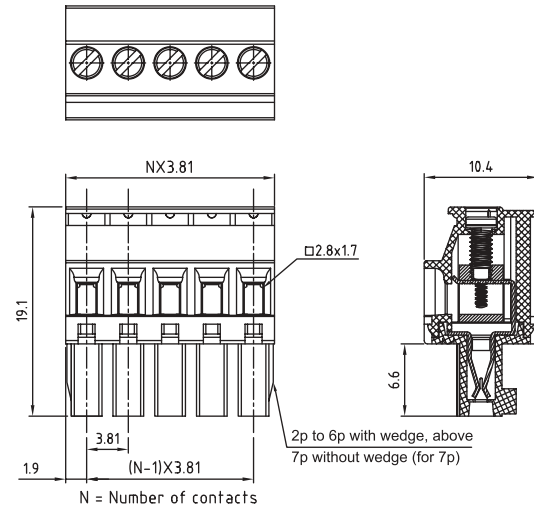
Note: Other pin number, 07 and 09 to 24, can be delivered but they are not kept in stock and are subject to MOQ

Order Code	Pins	AWG	Approval Certification
691 365 310 002	2	See Mechanical characteristics	
691 365 310 003	3		
691 365 310 004	4		
691 365 310 005	5		
691 365 310 006	6		
691 365 310 008	8		



NEW

Serie 3663 - 3.81mm Horizontal Cable Entry Plug with Hook on Back Side - 1.5mm² Wires WR-TBL



MATERIAL

- Insulator material: PA 66
- Flammability rating: UL94-V0
- Colour: Green
- Metal housing: Brass (CuZn)
- Terminal screw: Steel Zinc plating "-" slot type
- Wire guard: PhBz, Tin plated

ENVIRONMENTAL

- Operating temperature: -40 °C up to 105 °C
- Compliance: Lead free & RoHS
- Safety approval: See table

ELECTRICAL

- Current rating: 8A
- Working voltage: 300Vac
- Withstanding voltage: 1.6kV
- Contact resistance: 20 mOhm max

MECHANICAL

- Solid wire: 28 - 16AWG / 0.08 - 1.5mm²
- Stranded wire: 28 - 16AWG / 0.08 - 1.5mm²
- Torque: 1.7Lb-In / 0.2Nm

- Wire strip length: 6 - 7mm
- Screw: M2
- Pitch: 3.81mm

PACKAGING

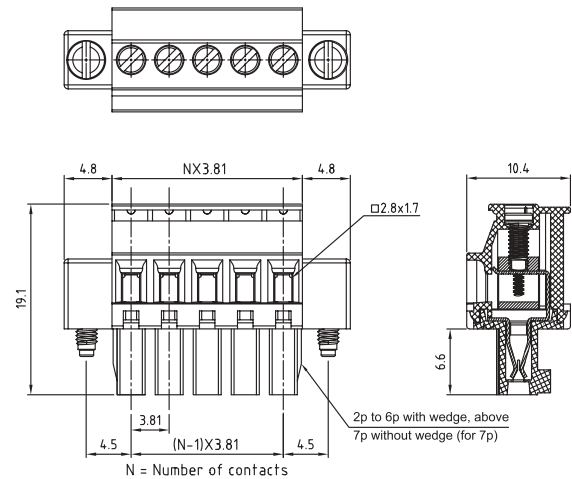
- Box

Note: Other pin number, 07 and 09 to 24, can be delivered but they are not kept in stock and are subject to MOQ

Order Code	Pins	AWG	Approval Certification
691 366 310 002	2	See Mechanical characteristics	
691 366 310 003	3		
691 366 310 004	4		
691 366 310 005	5		
691 366 310 006	6		
691 366 310 008	8		

NEW

Serie 3673 - 3.81mm Horizontal Cable Entry Plug with Flanges & Hook on Back Side - 1.5mm² Wires WR-TBL



MATERIAL

- Insulator material: PA 66
- Flammability rating: UL94-V0
- Colour: Green
- Metal housing: Brass (CuZn)
- Terminal screw: Steel Zinc plating “-” slot type
- Wire guard: PhBz, Tin plated
- Flange screw: Steel M2.5

ENVIRONMENTAL

- Operating temperature: -40 °C up to 105 °C
- Compliance: Lead free & RoHS
- Safety approval: See table

ELECTRICAL

- Current rating: 8A
- Working voltage: 300Vac
- Withstanding voltage: 1.6kV
- Contact resistance: 20 mOhm max

MECHANICAL



- Solid wire: 26 - 16AWG / 0.13 - 1.5mm²
- Stranded wire: 26 - 16AWG / 0.13 - 1.5mm²
- Torque: 1.7Lb-In / 0.2Nm

- Wire strip length: 6 - 7mm
- Screw: M2
- Pitch: 3.81mm

PACKAGING

- Box

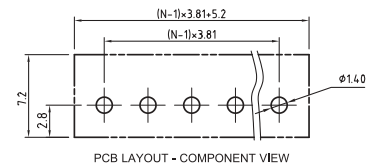
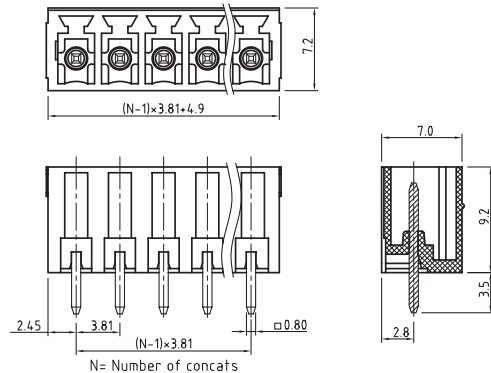
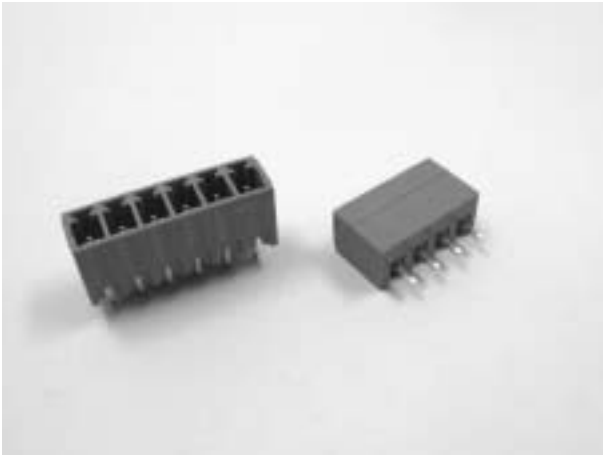
Note: Other pin number, 07 and 09 to 24, can be delivered but they are not kept in stock and are subject to MOQ

Order Code	Pins	AWG	Approval Certification
691 367 310 002	2	See Mechanical characteristics	 
691 367 310 003	3		
691 367 310 004	4		
691 367 310 005	5		
691 367 310 006	6		
691 367 310 008	8		



EXTENDED
RANGE

Serie 321 - 3.81mm Vertical PCB Header WR-TBL



MATERIAL

- Insulator material: PA 66
- Flammability rating: UL94-V0
- Colour: Green
- Metal housing: Brass (CuZn)
- Surface of solder tail plating: Tin

ENVIRONMENTAL

- Operating temperature: -40 °C up to 105 °C
- Compliance: Lead free & RoHS
- Safety approval: See table

SOLDERING

- Solder temperature: JEDEC lead free wave soldering

ELECTRICAL

- | | | |
|-------------------------|-------------|-----------|
| • Current rating: | cULus 10A | VDE 10.5A |
| • Working voltage: | 300Vac | 300Vac |
| • Withstanding voltage: | 1.6kV | 2.5kV |
| • Contact resistance: | 20 mOhm max | |

MECHANICAL

- Pitch: 3.81mm

PACKAGING

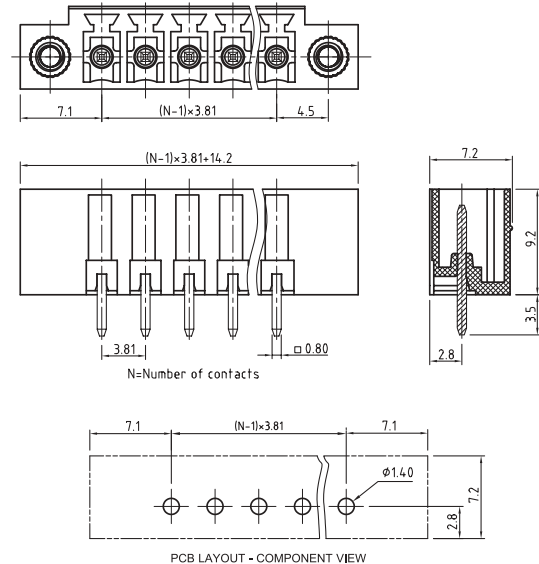
- Box

0 xx = 02 to 24pin

Order Code	Pins	AWG	Approval Certification
691 321 300 0 xx	2 to 24	See Mechanical characteristics	

NEW

Serie 3233 - 3.81mm Vertical PCB Header with Flanges WR-TBL



MATERIAL

- Insulator material: PA 66
- Flammability rating: UL94-V0
- Colour: Green
- Contact PIN: Brass (CuZn)
- Surface of solder tail plating: Tin
- Flange screw nut: Brass M2.5

ENVIRONMENTAL

- Operating temperature: -40 °C up to 105 °C
- Compliance: Lead free & RoHS
- Safety approval: See table

SOLDERING

- Solder temperature: JEDEC lead free wave soldering

ELECTRICAL

- Current rating: cULus 10A
- Working voltage: VDE 10.5A 300Vac
- Withstanding voltage: 1.6kV 2.5kV
- Contact resistance: 20 mOhm max


MECHANICAL

- Pitch: 3.81mm

PACKAGING

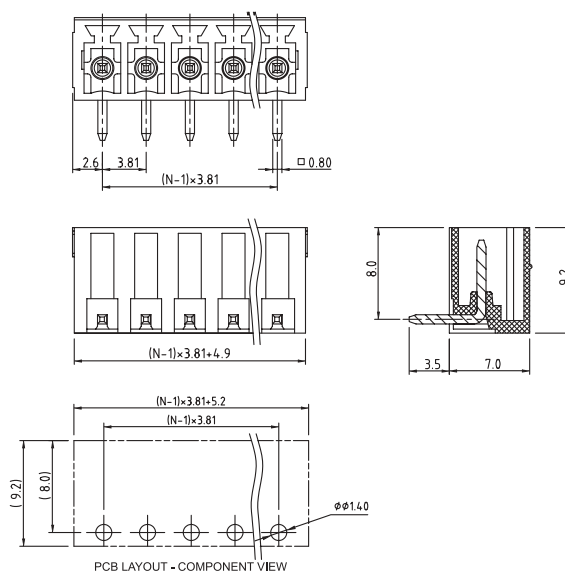
- Box

Note: Other pin number, 07 and 09 to 24, can be delivered but they are not kept in stock and are subject to MOQ

Order Code	Pins	AWG	Approval Certification
691 323 300 002	2	See Mechanical characteristics	
691 323 300 003	3		
691 323 300 004	4		
691 323 300 005	5		
691 323 300 006	6		
691 323 300 008	8		

EXTENDED
RANGE

Serie 322 - 3.81mm Horizontal PCB Header WR-TBL



MATERIAL

- Insulator material: PA 66
- Flammability rating: UL94-V0
- Colour: Green
- Metal housing: Brass (CuZn)
- Surface of solder tail plating: Tin

ENVIRONMENTAL

- Operating temperature: $-40\text{ }^{\circ}\text{C}$ up to $105\text{ }^{\circ}\text{C}$
- Compliance: Lead free & RoHS
- Safety approval: See table

SOLDERING

- Solder temperature: JEDEC lead free wave soldering

ELECTRICAL

- Current rating: cULus 10A, VDE 10.5A
- Working voltage: 300Vac, 300Vac
- Withstanding voltage: 1.6kV, 2.5kV
- Contact resistance: 20 mOhm max



MECHANICAL

- Pitch: 3.81mm

PACKAGING

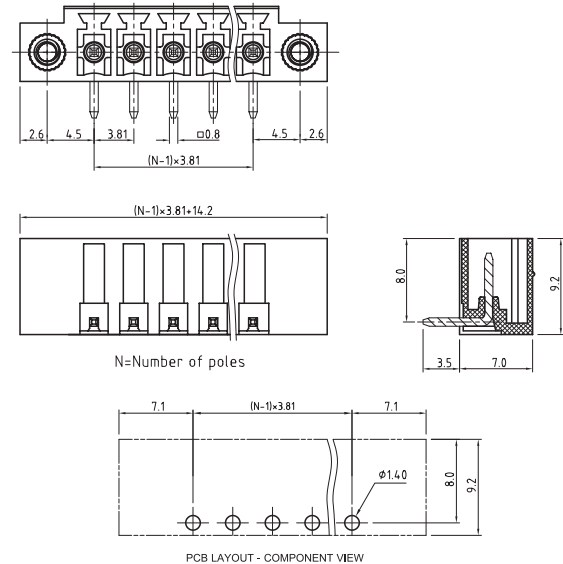
- Box

0 xx = 02 to 24pin

Order Code	Pins	AWG	Approval Certification
691 322 310 0 xx	2 to 24	See Mechanical characteristics	 

NEW

Serie 3253 - 3.81mm Horizontal PCB Header with Flanges WR-TBL



MATERIAL

- Insulator material: PA 66
- Flammability rating: UL94-V0
- Colour: Green
- Contact PIN: Brass (CuZn)
- Surface of solder tail plating: Tin
- Flange screw nut: Brass M2.5

ENVIRONMENTAL

- Operating temperature: -40 °C up to 105 °C
- Compliance: Lead free & RoHS
- Safety approval: See table

SOLDERING

- Solder temperature: JEDEC lead free wave soldering

ELECTRICAL

- | | | |
|-------------------------|-------------|--------|
| | cULus | VDE |
| • Current rating: | 10A | 10.5A |
| • Working voltage: | 300Vac | 300Vac |
| • Withstanding voltage: | 1.6kV | 2.5kV |
| • Contact resistance: | 20 mOhm max | |


MECHANICAL

- Pitch: 3.81mm

PACKAGING

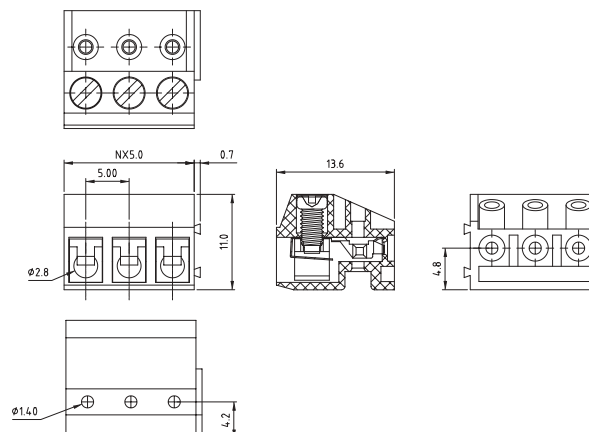
- Box

Note: Other pin number, 07 and 09 to 24, can be delivered but they are not kept in stock and are subject to MOQ

Order Code	Pins	AWG	Approval Certification
691 325 310 002	2	See Mechanical characteristics	
691 325 310 003	3		
691 325 310 004	4		
691 325 310 005	5		
691 325 310 006	6		
691 325 310 008	8		



Serie 301 - 5.0mm Horizontal Entry Modular Plug with Pressure Clamp - 2.0mm² Wires WR-TBL



MATERIAL

- Insulator material: PA 66
- Flammability rating: UL94-V0
- Colour: Blue
- Metal housing: Brass (CuZn)
- Terminal screw: Steel Zinc plating "-" slot type
- Wire guard: PhBz

ENVIRONMENTAL

- Operating temperature: -40 °C up to 105 °C
- Compliance: Lead free & RoHS
- Safety approval: See table

ELECTRICAL

- Current rating: 15A
- Working voltage: 300Vac
- Withstanding voltage: 1.6kV
- Contact resistance: 20 mOhm max

cULus

- 15A
- 300Vac
- 1.6kV

VDE

- 12A
- 300Vac
- 2.5kV

MECHANICAL

- Solid wire: 22 - 14AWG / 0.33 - 2.0mm²
- Stranded wire: 22 - 14AWG / 0.33 - 2.0mm²
- Torque: 3.5Lb-In / 0.4Nm

- Wire strip length: 5 - 6mm

- Screw: M2.6

- Pitch: 5.0mm

PACKAGING

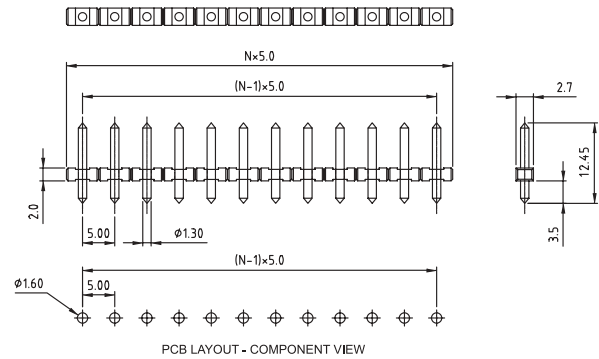
- Box

Note: Other pin number are available, based on combinations of 2 & 3pins, but they are not kept in stock and are subject to MOQ

Order Code	Pins	AWG	Approval Certification
691 301 710 002	2	See Mechanical characteristics	
691 301 710 003	3	See Mechanical characteristics	



Serie 300 - 5.0mm Pin Header WR-TBL



MATERIAL

- Insulator material: PA 66
- Flammability rating: UL94-V0
- Colour: Black
- Solid PIN: Brass (CuZn)
- Surface of solder tail plating: Tin

ENVIRONMENTAL

- Operating temperature: -40 °C up to 105 °C
- Compliance: Lead free & RoHS
- Safety approval: See table

SOLDERING

- Solder temperature: JEDEC lead free wave soldering

ELECTRICAL

- | | | |
|-------------------------|--------|---------|
| • Current rating: | UL 15A | VDE 12A |
| • Working voltage: | 300Vac | 300Vac |
| • Withstanding voltage: | 1.6kV | 2.5kV |

MECHANICAL

- Pitch: 5.0mm

PACKAGING

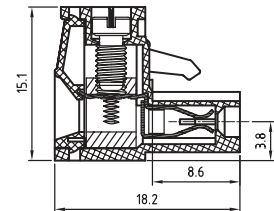
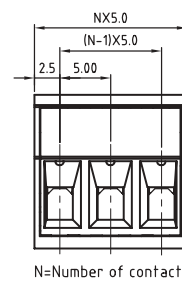
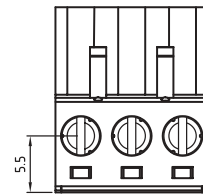
- Box

Note: Other pin number available but subject to MOQ and not kept in stock

Order Code	Pins	AWG	Approval Certification
691 300 700 024	24	See Mechanical characteristics	

NEW

Serie 3527 - 5.00mm Vertical Cable Entry Plug - 3.0mm² Wires WR-TBL



MATERIAL

- Insulator material: PA 66
- Flammability rating: UL94-V0
- Colour: Green
- Metal housing: Brass (CuZn)
- Terminal screw: Steel Zinc plating "-" slot type
- Wire guard: PhBz Tin plated

ENVIRONMENTAL

- Operating temperature: -40 °C up to 105 °C
- Compliance: Lead free & RoHS
- Safety approval: See table

ELECTRICAL

- Current rating: 20A
- Working voltage: 300Vac
- Withstanding voltage: 1.6kV
- Contact resistance: 20 mOhm max

cULus

- 20A
- 300Vac
- 1.6kV

VDE

- 20A
- 300Vac
- 2.5kV

MECHANICAL

- Solid wire: 24 - 12AWG / 0.2 - 3.0mm²
- Stranded wire: 24 - 12AWG / 0.2 - 3.0mm²
- Torque: 5.0Lb-In / 0.5Nm

- Wire strip length: 7 - 8mm


- Screw: M3

- Pitch: 5.00mm

PACKAGING

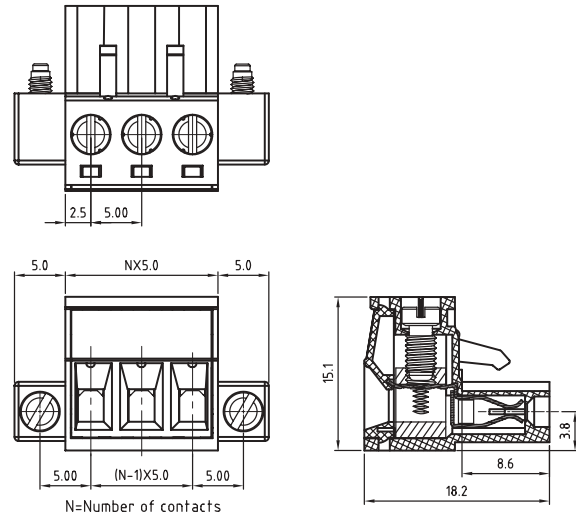
- Box

Note: Other pin number, 07 and 09 to 24, can be delivered but they are not kept in stock and are subject to MOQ

Order Code	Pins	AWG	Approval Certification
691 352 710 002	2	See Mechanical characteristics	
691 352 710 003	3		
691 352 710 004	4		
691 352 710 005	5		
691 352 710 006	6		
691 352 710 008	8		

NEW

Serie 3437 - 5.00mm Vertical Cable Entry Plug with Flanges - 3.0mm² Wires WR-TBL



MATERIAL

- Insulator material: PA 66
- Flammability rating: UL94-V0
- Colour: Green
- Metal housing: Brass (CuZn)
- Terminal screw: Steel Zinc plating "-" slot type
- Wire guard: PhBz Tin plated
- Flange screw: Steel M2.5

ENVIRONMENTAL

- Operating temperature: -40 °C up to 105 °C
- Compliance: Lead free & RoHS
- Safety approval: See table

ELECTRICAL

- Current rating: 20A
- Working voltage: 300Vac
- Withstanding voltage: 1.6kV
- Contact resistance: 20 mOhm max

MECHANICAL


- Solid wire: 24 - 12AWG / 0.2 - 3.0mm²
- Stranded wire: 24 - 12AWG / 0.2 - 3.0mm²
- Torque: 5.0Lb-In / 0.5Nm

- Wire strip length: 7 - 8mm
- Screw: M3
- Pitch: 5.00mm

PACKAGING

- Box

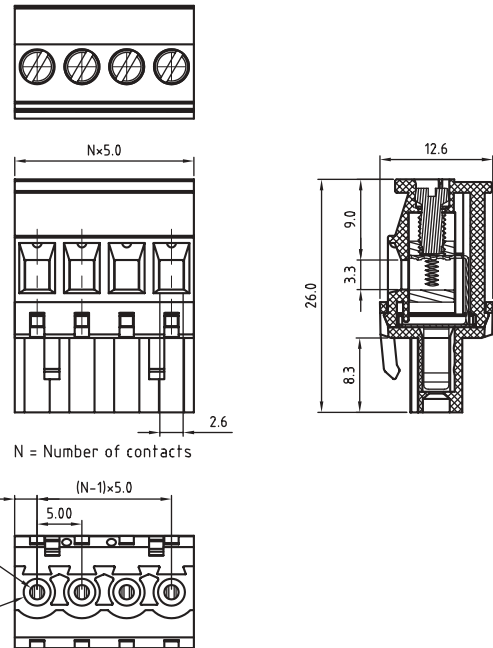
Note: Other pin number, 07 and 09 to 24, can be delivered but they are not kept in stock and are subject to MOQ

Order Code	Pins	AWG	Approval Certification
691 343 710 002	2	See Mechanical characteristics	
691 343 710 003	3		
691 343 710 004	4		
691 343 710 005	5		
691 343 710 006	6		
691 343 710 008	8		



NEW

Serie 3517 - 5.00mm Horizontal Cable Entry Plug with Hook on Wire Side - 3.0mm² Wires WR-TBL



MATERIAL

- Insulator material: PA 66
- Flammability rating: UL94-V0
- Colour: Green
- Metal housing: Brass (CuZn)
- Terminal screw: Steel Zinc plating “-” slot type
- Wire guard: PhBz Tin plated

ENVIRONMENTAL

- Operating temperature: -40 °C up to 105 °C
- Compliance: Lead free & RoHS
- Safety approval: See table

ELECTRICAL

- Current rating: 15A
- Working voltage: 300Vac
- Withstanding voltage: 1.6kV
- Contact resistance: 20 mOhm max

MECHANICAL

- Solid wire: 24 - 12AWG / 0.2 - 3.0mm²
- Stranded wire: 24 - 12AWG / 0.2 - 3.0mm²
- Torque: 3.5Lb-In / 0.5Nm

- Wire strip length: 6 - 7mm
- Screw: M3
- Pitch: 5.00mm

PACKAGING

- Box

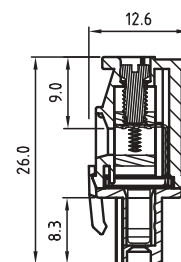
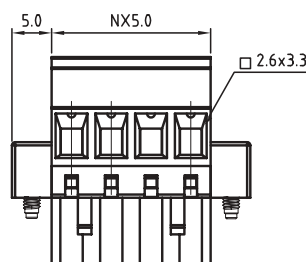
Note: Other pin number, 07 and 09 to 24, can be delivered but they are not kept in stock and are subject to MOQ

Order Code	Pins	AWG	Approval Certification
691 351 700 002	2	See Mechanical characteristics	
691 351 700 003	3		
691 351 700 004	4		
691 351 700 005	5		
691 351 700 006	6		
691 351 700 008	8		

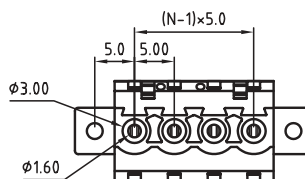


NEW

Serie 3407 - 5.00mm Horiz. Cable Entry Plug with Flanges & Hook on Wire Side - 3.0mm² Wires WR-TBL



N=Number of contacts



MATERIAL

- Insulator material: PA 66
- Flammability rating: UL94-V0
- Colour: Green
- Metal housing: Brass (CuZn)
- Terminal screw: Steel Zinc plating “-” slot type
- Wire guard: PhBz Tin plated
- Flange screw: Steel M2.5

ENVIRONMENTAL

- Operating temperature: -40 °C up to 105 °C
- Compliance: Lead free & RoHS
- Safety approval: See table

ELECTRICAL

- Current rating: 15A
- Working voltage: 300Vac
- Withstanding voltage: 1.6kV
- Contact resistance: 20 mOhm max

MECHANICAL

- Solid wire: 24 - 12AWG / 0.2 - 3.0mm²
- Stranded wire: 24 - 12AWG / 0.2 - 3.0mm²
- Torque: 3.5Lb-In / 0.5Nm

- Wire strip length: 6 - 7mm
- Screw: M3
- Pitch: 5.00mm

PACKAGING

- Box

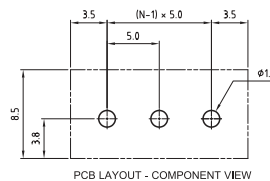
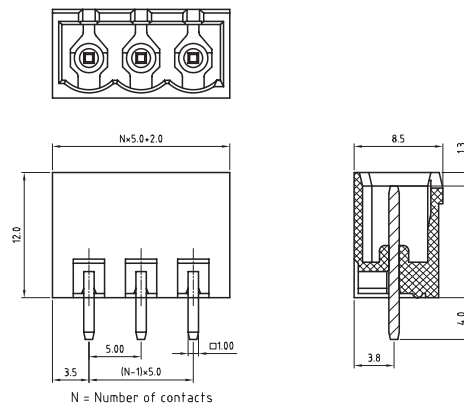
Note: Other pin number, 07 and 09 to 24, can be delivered but they are not kept in stock and are subject to MOQ

Order Code	Pins	AWG	Approval Certification
691 340 700 002	2	See Mechanical characteristics	
691 340 700 003	3		
691 340 700 004	4		
691 340 700 005	5		
691 340 700 006	6		
691 340 700 008	8		



NEW

Serie 3117 - 5.00mm Close Vertical PCB Header WR-TBL



MATERIAL

- Insulator material: PBT
- Flammability rating: UL94-V0
- Colour: Green
- Contact PIN: Brass (CuZn)
- Surface of solder tail plating: Tin

ENVIRONMENTAL

- Operating temperature: -40 °C up to 105 °C
- Compliance: Lead free & RoHS
- Safety approval: See table

SOLDERING

- Solder temperature: JEDEC lead free wave soldering

ELECTRICAL

- Current rating: 20A
- Working voltage: 300Vac
- Withstanding voltage: 1.6kV
- Contact resistance: 20 mOhm max

MECHANICAL

- Pitch: 5.00mm

PACKAGING

- Box

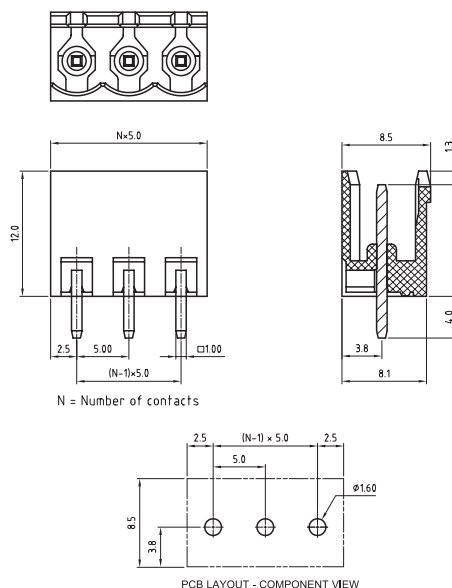
Note: Other pin number, 07 and 09 to 24, can be delivered but they are not kept in stock and are subject to MOQ

Order Code	Pins	AWG	Approval Certification
691 311 700 102	2	See Mechanical characteristics	
691 311 700 103	3		
691 311 700 104	4		
691 311 700 105	5		
691 311 700 106	6		
691 311 700 108	8		



NEW

Serie 3117 - 5.00mm Open Vertical PCB Header WR-TBL



MATERIAL

- Insulator material: PBT
- Flammability rating: UL94-V0
- Colour: Green
- Contact PIN: Brass (CuZn)
- Surface of solder tail plating: Tin

ENVIRONMENTAL

- Operating temperature: -40 °C up to 105 °C
- Compliance: Lead free & RoHS
- Safety approval: See table

SOLDERING

- Solder temperature: JEDEC lead free wave soldering

ELECTRICAL

- | | | |
|-------------------------|-------------|---------|
| • Current rating: | cULus 20A | VDE 20A |
| • Working voltage: | 300Vac | 300Vac |
| • Withstanding voltage: | 1.6kV | 2.5kV |
| • Contact resistance: | 20 mOhm max | |

MECHANICAL

- Pitch: 5.00mm

PACKAGING

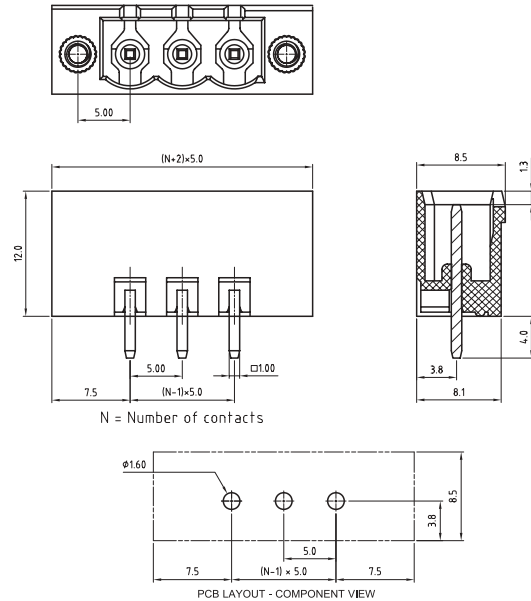
- Box

Note: Other pin number, 07 and 09 to 24, can be delivered but they are not kept in stock and are subject to MOQ

Order Code	Pins	AWG	Approval Certification
691 311 700 002	2	See Mechanical characteristics	
691 311 700 003	3		
691 311 700 004	4		
691 311 700 005	5		
691 311 700 006	6		
691 311 700 008	8		

NEW

Serie 3187 - 5.00mm Close Vertical PCB Header with Flanges WR-TBL



MATERIAL

- Insulator material: PBT
- Flammability rating: UL94-V0
- Colour: Green
- Contact PIN: Brass (CuZn)
- Surface of solder tail plating: Tin
- Flange screw nut: Brass M2.5

ENVIRONMENTAL

- Operating temperature: -40 °C up to 105 °C
- Compliance: Lead free & RoHS
- Safety approval: See table

SOLDERING

- Solder temperature: JEDEC lead free wave soldering

ELECTRICAL

- Current rating: 20A
- Working voltage: 300Vac
- Withstanding voltage: 1.6kV
- Contact resistance: 20 mOhm max


MECHANICAL

- Pitch: 5.00mm

PACKAGING

- Box

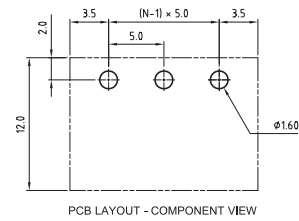
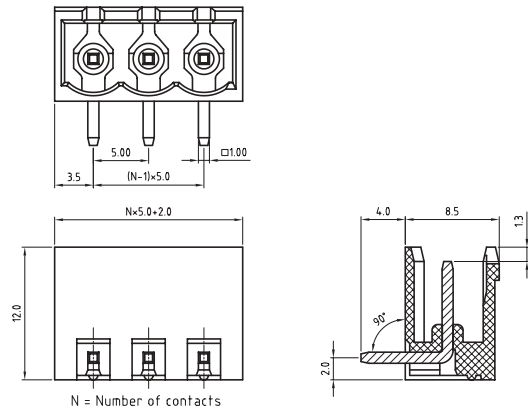
Note: Other pin number, 07 and 09 to 24, can be delivered but they are not kept in stock and are subject to MOQ

Order Code	Pins	AWG	Approval Certification
691 318 700 002	2	See Mechanical characteristics	
691 318 700 003	3		
691 318 700 004	4		
691 318 700 005	5		
691 318 700 006	6		
691 318 700 008	8		



NEW

Serie 3137 - 5.00mm Close Horizontal PCB Header WR-TBL



MATERIAL

- Insulator material: PBT
- Flammability rating: UL94-V0
- Colour: Green
- Contact PIN: Brass (CuZn)
- Surface of solder tail plating: Tin

ENVIRONMENTAL

- Operating temperature: -40 °C up to 105 °C
- Compliance: Lead free & RoHS
- Safety approval: See table

SOLDERING

- Solder temperature: JEDEC lead free wave soldering

ELECTRICAL

- Current rating: cULus 20A
- Working voltage: VDE 20A 300Vac
- Withstanding voltage: 1.6kV 2.5kV
- Contact resistance: 20 mOhm max

MECHANICAL

- Pitch: 5.00mm

PACKAGING

- Box

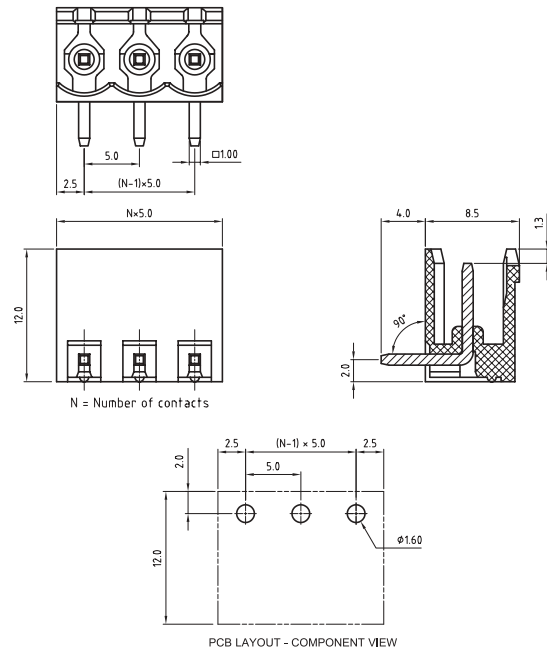
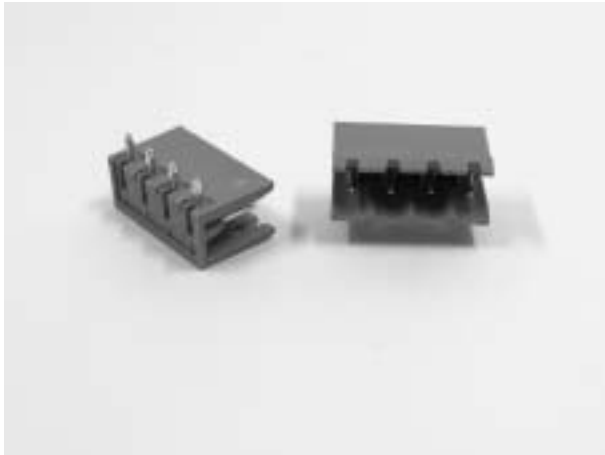
Note: Other pin number, 07 and 09 to 24, can be delivered but they are not kept in stock and are subject to MOQ

Order Code	Pins	AWG	Approval Certification
691 313 710 002	2	See Mechanical characteristics	
691 313 710 003	3		
691 313 710 004	4		
691 313 710 005	5		
691 313 710 006	6		
691 313 710 008	8		



NEW

Serie 3127 - 5.00mm Open Horizontal PCB Header WR-TBL



MATERIAL

- Insulator material: PBT
- Flammability rating: UL94-V0
- Colour: Green
- Contact PIN: Brass (CuZn)
- Surface of solder tail plating: Tin

ENVIRONMENTAL

- Operating temperature: -40 °C up to 105 °C
- Compliance: Lead free & RoHS
- Safety approval: See table

SOLDERING

- Solder temperature: JEDEC lead free wave soldering

ELECTRICAL

- Current rating: 20A
- Working voltage: 300Vac
- Withstanding voltage: 1.6kV
- Contact resistance: 20 mOhm max

MECHANICAL

- Pitch: 5.00mm

PACKAGING

- Box

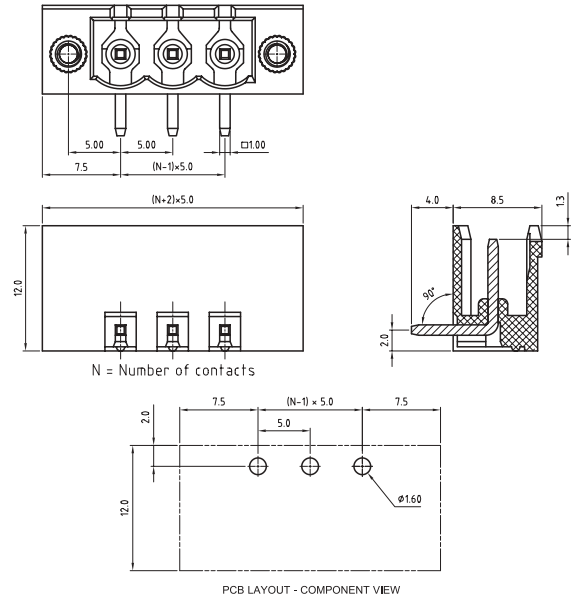
Note: Other pin number, 07 and 09 to 24, can be delivered but they are not kept in stock and are subject to MOQ

Order Code	Pins	AWG	Approval Certification
691 312 710 002	2	See Mechanical characteristics	
691 312 710 003	3		
691 312 710 004	4		
691 312 710 005	5		
691 312 710 006	6		
691 312 710 008	8		



NEW

Serie 3177 - 5.00mm Close Horizontal PCB Header with Flanges WR-TBL



MATERIAL

- Insulator material: PBT
- Flammability rating: UL94-V0
- Colour: Green
- Contact PIN: Brass (CuZn)
- Surface of solder tail plating: Tin
- Flange screw nut: Brass M2.5

ENVIRONMENTAL

- Operating temperature: -40 °C up to 105 °C
- Compliance: Lead free & RoHS
- Safety approval: See table

SOLDERING

- Solder temperature: JEDEC lead free wave soldering

ELECTRICAL

- Current rating: 20A
- Working voltage: 300Vac
- Withstanding voltage: 1.6kV
- Contact resistance: 20 mOhm max

MECHANICAL

- Pitch: 5.00mm

PACKAGING

- Box

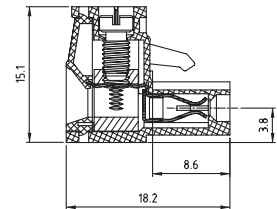
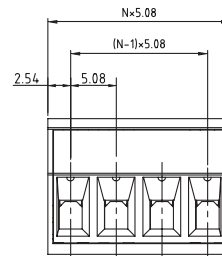
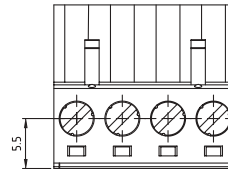
Note: Other pin number, 07 and 09 to 24, can be delivered but they are not kept in stock and are subject to MOQ

Order Code	Pins	AWG	Approval Certification
691 317 710 002	2	See Mechanical characteristics	
691 317 710 003	3		
691 317 710 004	4		
691 317 710 005	5		
691 317 710 006	6		
691 317 710 008	8		



EXTENDED
RANGE

Serie 351 - 5.08mm Vertical Cable Entry Plug - 3.0mm² Wires WR-TBL



MATERIAL

- Insulator material: PA 66
- Flammability rating: UL94-V0
- Colour: Green
- Metal housing: Brass (CuZn)
- Terminal screw: Steel Zinc plating "-" slot type
- Wire guard: PhBz, Tin plated

ENVIRONMENTAL

- Operating temperature: -40 °C up to 105 °C
- Compliance: Lead free & RoHS
- Safety approval: See table

ELECTRICAL

- Current rating: 20A
- Working voltage: 300Vac
- Withstanding voltage: 1.6kV
- Contact resistance: 20 mOhm max

MECHANICAL

- Solid wire: 24 - 12AWG / 0.2 - 3.0mm²
- Stranded wire: 24 - 12AWG / 0.2 - 3.0mm²
- Torque: 5Lb-In / 0.5Nm

- Wire strip length: 7 - 8mm
- Screw: M3
- Pitch: 5.08mm

PACKAGING

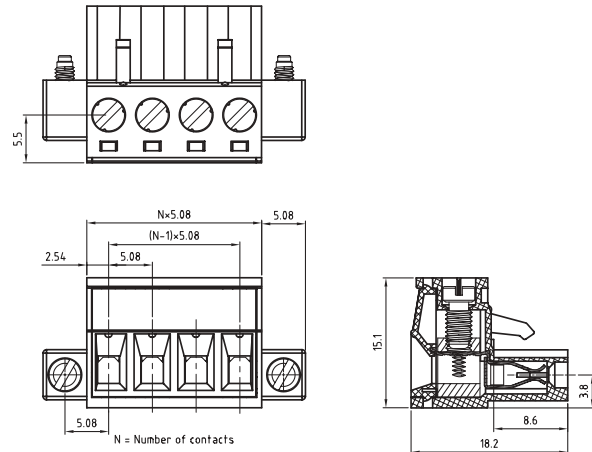
- Box

0 xx = 02 to 24pin

Order Code	Pins	AWG	Approval Certification
691 351 500 0 xx	2 to 24	See Mechanical characteristics	

NEW

Serie 3405 - 5.08mm Vertical Cable Entry Plug with Flanges - 3.0mm² Wires WR-TBL



MATERIAL

- Insulator material: PA 66
- Flammability rating: UL94-V0
- Colour: Green
- Metal housing: Brass (CuZn)
- Terminal screw: Steel Zinc plating "L" slot type
- Wire guard: PhBz, Tin plated
- Flange screw: Steel M2.5

ENVIRONMENTAL

- Operating temperature: -40 °C up to 105 °C
- Compliance: Lead free & RoHS
- Safety approval: See table

ELECTRICAL

- Current rating: 20A
- Working voltage: 300Vac
- Withstanding voltage: 1.6kV
- Contact resistance: 20 mOhm max

MECHANICAL



- Solid wire: 24 - 12AWG / 0.2 - 3.0mm²
- Stranded wire: 24 - 12AWG / 0.2 - 3.0mm²
- Torque: 5Lb-In / 0.5Nm

- Wire strip length: 7 - 8mm
- Screw: M3
- Pitch: 5.08mm

PACKAGING

- Box

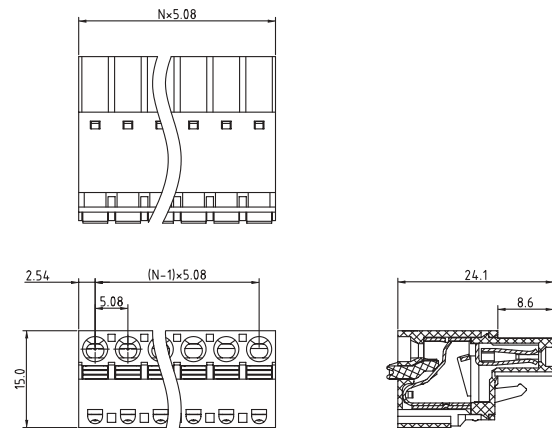
Note: Other pin number, 07 and 09 to 24, can be delivered but they are not kept in stock and are subject to MOQ

Order Code	Pins	AWG	Approval Certification
691 340 500 002	2	See Mechanical characteristics	 
691 340 500 003	3		
691 340 500 004	4		
691 340 500 005	5		
691 340 500 006	6		
691 340 500 008	8		



EXTENDED
RANGE

Serie 353 - 5.08mm Screwless Vertical Cable Entry Plug - 3.0mm² Wires WR-TBL



MATERIAL

- Insulator material: PA 66
- Flammability rating: UL94-V0
- Colour: Green
- Contact: PhBz, Tin plated
- Wire guard: Stainless Steel

ENVIRONMENTAL

- Operating temperature: -40 °C up to 105 °C
- Compliance: Lead free & RoHS
- Safety approval: See table

ELECTRICAL

- Current rating: 10A
- Working voltage: 300Vac
- Withstanding voltage: 1.6kV
- Contact resistance: 20 mOhm max

MECHANICAL

- Solid wire: 26 - 12AWG / 0.13 to 3.0mm²
- Stranded wire: 26 - 12AWG / 0.13 to 3.0mm²

- Wire strip length: 6 - 7mm
- Pitch: 5.08mm

PACKAGING

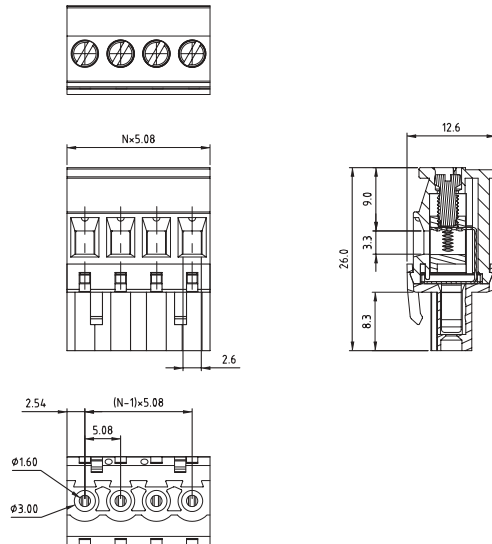
- Box

0 xx = 02 to 24pin

Order Code	Pins	AWG	Approval Certification
691 353 500 0 xx	2 to 24	See Mechanical characteristics	

EXTENDED
RANGE

Serie 352 - 5.08mm Horizontal Cable Entry Plug with Hook on Wire Side - 3.0mm² Wires WR-TBL



MATERIAL

- Insulator material: PA 66
- Flammability rating: UL94-V0
- Colour: Green
- Metal housing: Brass (CuZn)
- Terminal screw: Steel Zinc plating "-" slot type
- Wire guard: PhBz Tin plated

ENVIRONMENTAL

- Operating temperature: -40 °C up to 105 °C
- Compliance: Lead free & RoHS
- Safety approval: See table

ELECTRICAL

- Current rating: 15A
- Working voltage: 300Vac
- Withstanding voltage: 1.6kV
- Contact resistance: 20 mOhm max

MECHANICAL



- Solid wire: 24 - 12AWG / 0.20 - 3.0mm²
- Stranded wire: 24 - 12AWG / 0.20 - 3.0mm²
- Torque: 3.5Lb-In / 0.5Nm

- Wire strip length: 6 - 7mm
- Screw: M3
- Pitch: 5.08mm

PACKAGING

- Box

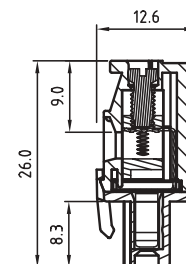
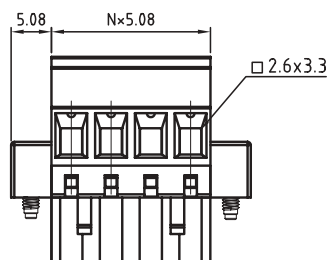
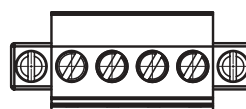
0 xx = 02 to 24pin

Order Code	Pins	AWG	Approval Certification
691 352 510 0 xx	2 to 24	See Mechanical characteristics	 

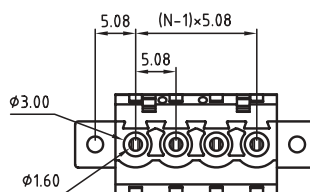


NEW

Serie 3435 - 5.08mm Horizontal Cable Entry Plug with Hook on Wire Side & Flanges - 3.0mm² WR-TBL



N=Number of contacts



MATERIAL

- Insulator material: PA 66
- Flammability rating: UL94-V0
- Colour: Green
- Metal housing: Brass (CuZn)
- Terminal screw: Steel Zinc plating “-” slot type
- Wire guard: PhBz Tin plated
- Flange screw: Steel M2.5

ENVIRONMENTAL

- Operating temperature: -40 °C up to 105 °C
- Compliance: Lead free & RoHS
- Safety approval: See table

ELECTRICAL

- | | | |
|-------------------------|-------------|---------|
| • Current rating: | cULus 15A | VDE 17A |
| • Working voltage: | 300Vac | 300Vac |
| • Withstanding voltage: | 1.6kV | 2.5kV |
| • Contact resistance: | 20 mOhm max | |

MECHANICAL

- Solid wire: 24 - 12AWG / 0.20 - 3.0mm²
- Stranded wire: 24 - 12AWG / 0.20 - 3.0mm²
- Torque: 3.5Lb-In / 0.5Nm
- Wire strip length: 6 - 7mm
- Screw: M3
- Pitch: 5.08mm

PACKAGING

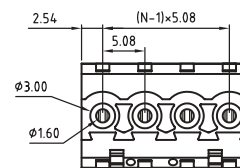
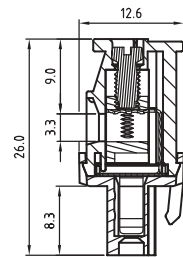
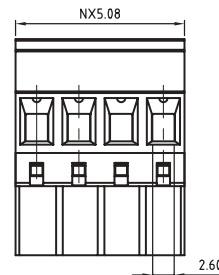
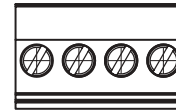
- Box

Note: Other pin number, 07 and 09 to 24, can be delivered but they are not kept in stock and are subject to MOQ

Order Code	Pins	AWG	Approval Certification
691 343 510 002	2	See Mechanical characteristics	
691 343 510 003	3		
691 343 510 004	4		
691 343 510 005	5		
691 343 510 006	6		
691 343 510 008	8		

NEW

Serie 3445 - 5.08mm Horizontal Cable Entry Plug with Hook on Back Side - 3.0mm² Wires WR-TBL



MATERIAL

- Insulator material: PA 66
- Flammability rating: UL94-V0
- Colour: Green
- Metal housing: Brass (CuZn)
- Terminal screw: Steel Zinc plating "-" slot type
- Wire guard: PhBz Tin plated

ENVIRONMENTAL

- Operating temperature: -40 °C up to 105 °C
- Compliance: Lead free & RoHS
- Safety approval: See table

ELECTRICAL

- Current rating: 15A
- Working voltage: 300Vac
- Withstanding voltage: 1.6kV
- Contact resistance: 20 mOhm max

MECHANICAL


- Solid wire: 24 - 12AWG / 0.20 - 3.0mm²
- Stranded wire: 24 - 12AWG / 0.20 - 3.0mm²
- Torque: 3.5Lb-In / 0.5Nm

- Wire strip length: 6 - 7mm
- Screw: M3
- Pitch: 5.08mm

PACKAGING

- Box

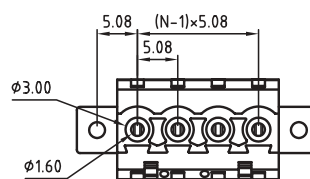
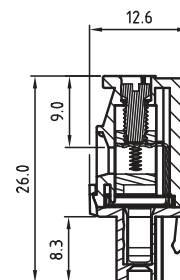
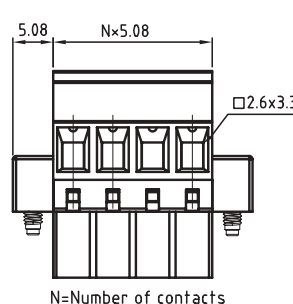
Note: Other pin number, 07 and 09 to 24, can be delivered but they are not kept in stock and are subject to MOQ

Order Code	Pins	AWG	Approval Certification
691 344 510 002	2	See Mechanical characteristics	
691 344 510 003	3		
691 344 510 004	4		
691 344 510 005	5		
691 344 510 006	6		
691 344 510 008	8		



NEW

Serie 3455 - 5.08mm Horizontal Cable Entry Plug with Hook Back Wire Side & Flanges - 3.0mm² Wires WR-TBL



MATERIAL

- Insulator material: PA 66
- Flammability rating: UL94-V0
- Colour: Green
- Metal housing: Brass (CuZn)
- Terminal screw: Steel Zinc plating “-” slot type
- Wire guard: PhBz Tin plated
- Flange screw: Steel M2.5

ENVIRONMENTAL

- Operating temperature: -40 °C up to 105 °C
- Compliance: Lead free & RoHS
- Safety approval: See table

ELECTRICAL

- Current rating: 15A
- Working voltage: 300Vac
- Withstanding voltage: 1.6kV
- Contact resistance: 20 mOhm max

MECHANICAL

- Solid wire: 24 - 12AWG / 0.20 - 3.0mm²
- Stranded wire: 24 - 12AWG / 0.20 - 3.0mm²
- Torque: 3.5Lb-In / 0.5Nm
- Wire strip length: 6 - 7mm
- Screw: M3
- Pitch: 5.08mm

PACKAGING

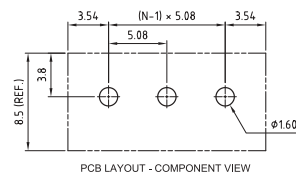
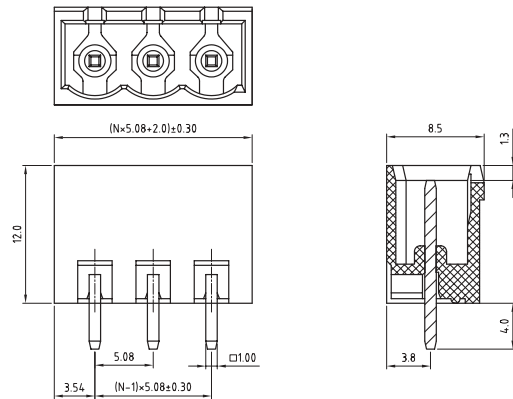
- Box

Note: Other pin number, 07 and 09 to 24, can be delivered but they are not kept in stock and are subject to MOQ

Order Code	Pins	AWG	Approval Certification
691 345 510 002	2	See Mechanical characteristics	
691 345 510 003	3		
691 345 510 004	4		
691 345 510 005	5		
691 345 510 006	6		
691 345 510 008	8		

NEW

Serie 311 - 5.08mm Close Vertical PCB Header WR-TBL



MATERIAL

- Insulator material: PBT
- Flammability rating: UL94-V0
- Colour: Green
- Contact PIN: Brass (CuZn)
- Surface of solder tail plating: Tin

ENVIRONMENTAL

- Operating temperature: -40 °C up to 105 °C
- Compliance: Lead free & RoHS
- Safety approval: See table

SOLDERING

- Solder temperature: JEDEC lead free wave soldering

ELECTRICAL

- Current rating: 20A
- Working voltage: 300Vac
- Withstanding voltage: 1.6kV
- Contact resistance: 20 mOhm max



MECHANICAL

- Pitch: 5.08mm

PACKAGING

- Box

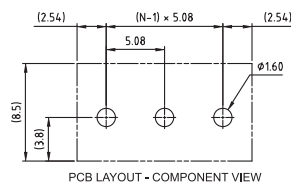
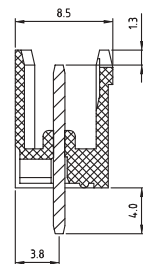
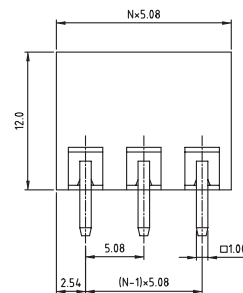
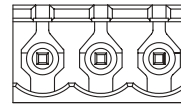
xx = 02 to 24pin

Order Code	Pins	AWG	Approval Certification
691 311 500 1 xx	2 to 24	See Mechanical characteristics	 



EXTENDED
RANGE

Serie 311 - 5.08mm Open Vertical PCB Header WR-TBL



MATERIAL

- Insulator material: PBT
- Flammability rating: UL94-V0
- Colour: Green
- Contact PIN: Brass (CuZn)
- Surface of solder tail plating: Tin

ENVIRONMENTAL

- Operating temperature: -40 °C up to 105 °C
- Compliance: Lead free & RoHS
- Safety approval: See table

SOLDERING

- Solder temperature: JEDEC lead free wave soldering

ELECTRICAL

- Current rating: 20A
- Working voltage: 300Vac
- Withstanding voltage: 1.6kV
- Contact resistance: 20 mOhm max

cULus

20A
300Vac
1.6kV

VDE

20A
300Vac
2.5kV

MECHANICAL

- Pitch: 5.08mm

PACKAGING

- Box

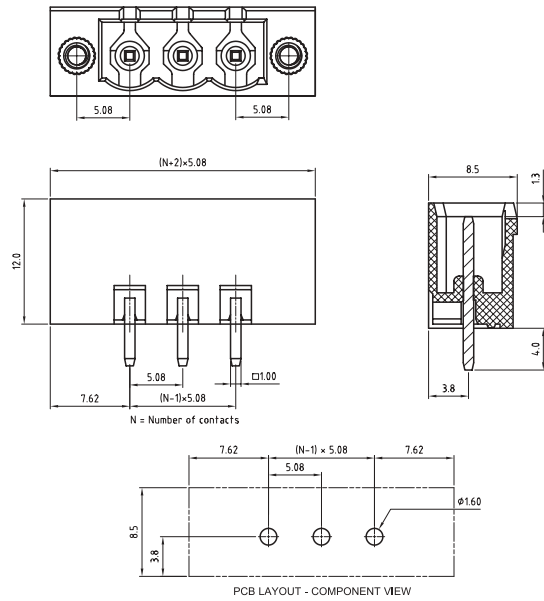
xx = 02 to 24pin

Order Code	Pins	AWG	Approval Certification
691 311 500 0 xx	2 to 24	See Mechanical characteristics	



NEW

Serie 3185 - 5.08mm Close Vertical PCB Header with Flanges WR-TBL



MATERIAL

- Insulator material: PBT
- Flammability rating: UL94-V0
- Colour: Green
- Contact PIN: Brass (CuZn)
- Surface of solder tail plating: Tin
- Flange screw nut: Brass M2.5

ENVIRONMENTAL

- Operating temperature: -40 °C up to 105 °C
- Compliance: Lead free & RoHS
- Safety approval: See table

SOLDERING

- Solder temperature: JEDEC lead free wave soldering

ELECTRICAL

- Current rating: cULus 20A
- Working voltage: 300Vac
- Withstanding voltage: 1.6kV
- Contact resistance: 20 mOhm max

MECHANICAL

- Pitch: 5.08mm

PACKAGING

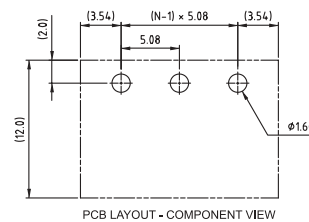
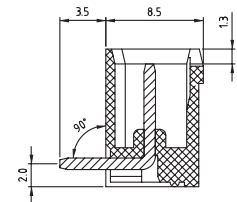
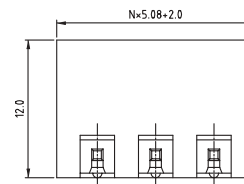
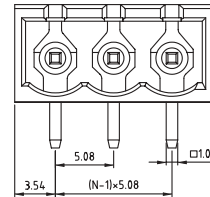
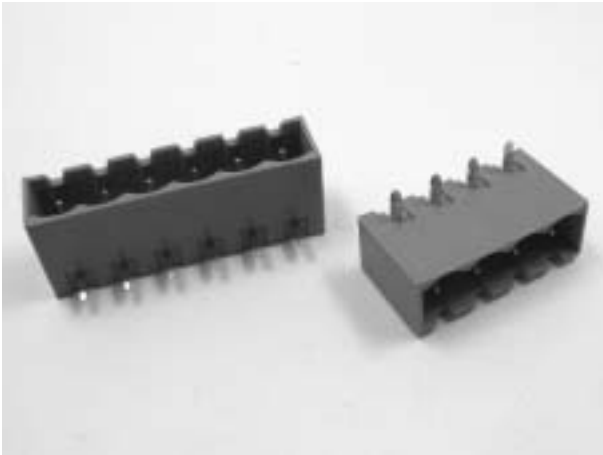
- Box

Note: Other pin number, 07 and 09 to 24, can be delivered but they are not kept in stock and are subject to MOQ

Order Code	Pins	AWG	Approval Certification
691 318 500 002	2	See Mechanical characteristics	
691 318 500 003	3		
691 318 500 004	4		
691 318 500 005	5		
691 318 500 006	6		
691 318 500 008	8		

EXTENDED
RANGE

Serie 313 - 5.08mm Close Horizontal PCB Header WR-TBL



MATERIAL

- Insulator material: PBT
- Flammability rating: UL94-V0
- Colour: Green
- Contact PIN: Brass (CuZn)
- Surface of solder tail plating: Tin

ENVIRONMENTAL

- Operating temperature: -40 °C up to 105 °C
- Compliance: Lead free & RoHS
- Safety approval: See table

SOLDERING

- Solder temperature: JEDEC lead free wave soldering

ELECTRICAL

- Current rating: 20A
- Working voltage: 300Vac
- Withstanding voltage: 1.6kV
- Contact resistance: 20 mOhm max

cULus

20A
300Vac
1.6kV

VDE

20A
300Vac
2.5kV



MECHANICAL

- Pitch: 5.08mm

PACKAGING

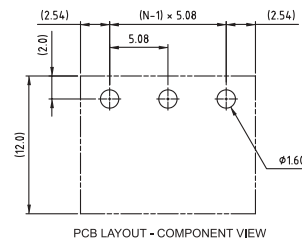
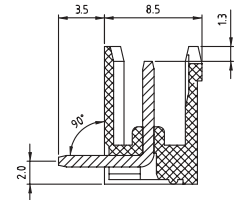
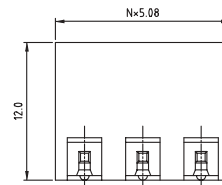
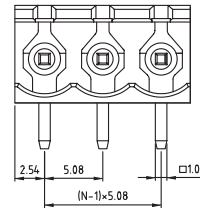
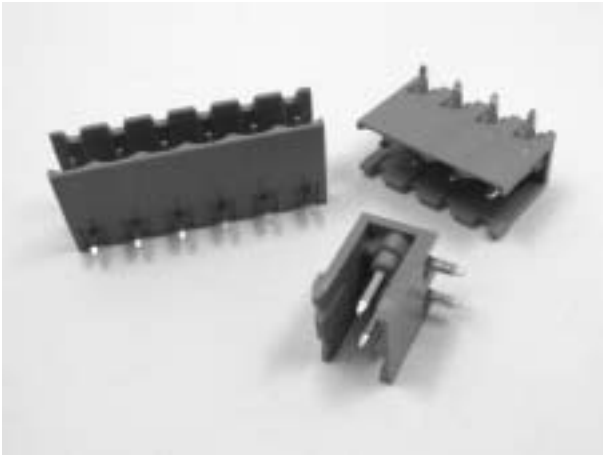
- Box

xx = 02 to 24pin

Order Code	Pins	AWG	Approval Certification
691 313 510 0 xx	2 to 24	See Mechanical characteristics	 

EXTENDED
RANGE

Serie 312 - 5.08mm Open Horizontal PCB Header WR-TBL



MATERIAL

- Insulator material: PBT
- Flammability rating: UL94-V0
- Colour: Green
- Contact PIN: Brass (CuZn)
- Surface of solder tail plating: Tin

ENVIRONMENTAL

- Operating temperature: -40 °C up to 105 °C
- Compliance: Lead free & RoHS
- Safety approval: See table

SOLDERING

- Solder temperature: JEDEC lead free wave soldering

ELECTRICAL

- Current rating: 20A
- Working voltage: 300Vac
- Withstanding voltage: 1.6kV
- Contact resistance: 20 mOhm max

cULus

20A
300Vac
1.6kV

VDE

20A
300Vac
2.5kV



MECHANICAL

- Pitch: 5.08mm

PACKAGING

- Box

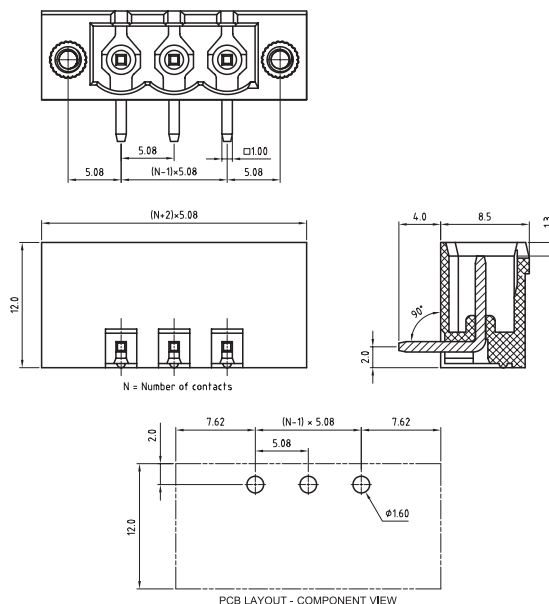
xx = 02 to 24pin

Order Code	Pins	AWG	Approval Certification
691 312 510 0 xx	2 to 24	See Mechanical characteristics	 



NEW

Serie 3175 - 5.08mm Close Horizontal PCB Header with Flanges WR-TBL



MATERIAL

- Insulator material: PBT
- Flammability rating: UL94-V0
- Colour: Green
- Contact PIN: Brass (CuZn)
- Surface of solder tail plating: Tin
- Flange screw nut: Brass M2.5

ENVIRONMENTAL

- Operating temperature: -40 °C up to 105 °C
- Compliance: Lead free & RoHS
- Safety approval: See table

SOLDERING

- Solder temperature: JEDEC lead free wave soldering

ELECTRICAL

- Current rating: 20A
- Working voltage: 300Vac
- Withstanding voltage: 1.6kV
- Contact resistance: 20 mOhm max

MECHANICAL

- Pitch: 5.08mm

PACKAGING

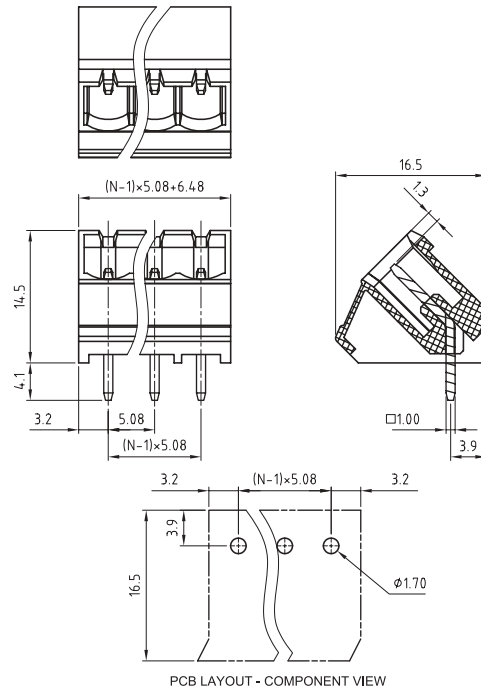
- Box

Note: Other pin number, 07 and 09 to 24, can be delivered but they are not kept in stock and are subject to MOQ

Order Code	Pins	AWG	Approval Certification
691 317 510 002	2	See Mechanical characteristics	
691 317 510 003	3		
691 317 510 004	4		
691 317 510 005	5		
691 317 510 006	6		
691 317 510 008	8		

NEW

Serie 314 - 5.08mm Close 45° PCB Header WR-TBL



MATERIAL

- Insulator material: PA 66
- Flammability rating: UL94-V0
- Colour: Green
- Contact PIN: Brass (CuZn)
- Surface of solder tail plating: Tin

ENVIRONMENTAL

- Operating temperature: -40 °C up to 105 °C
- Compliance: Lead free & RoHS
- Safety approval: See table

SOLDERING

- Solder temperature: JEDEC lead free wave soldering

ELECTRICAL

- Current rating: 20A
- Working voltage: 300Vac
- Withstanding voltage: 1.6kV
- Contact resistance: 20 mOhm max



MECHANICAL

- Pitch: 5.08mm

PACKAGING

- Box

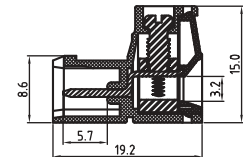
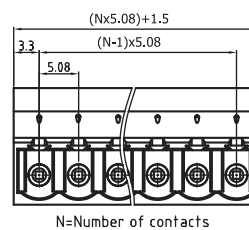
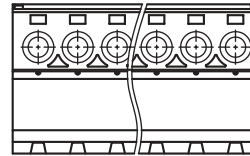
xx = 02 to 24pin

Order Code	Pins	AWG	Approval Certification
691 314 520 1 xx	2 to 24	See Mechanical characteristics	 



NEW

Serie 3485 - 5.08mm Reversed Gender Vertical cable Entry Plug - 3.0mm² Wires WR-TBL



MATERIAL

- Insulator material: PA 66
- Flammability rating: UL94-V0
- Colour: Green
- Metal housing: Brass (CuZn)
- Terminal screw: Steel Zinc plating "-" slot type
- Wire guard: PhBz Tin plated

ENVIRONMENTAL

- Operating temperature: -40 °C up to 105 °C
- Compliance: Lead free & RoHS
- Safety approval: See table

ELECTRICAL

- Current rating: 20A
- Working voltage: 300Vac
- Withstanding voltage: 1.6kV
- Contact resistance: 20 mOhm max

MECHANICAL

- Solid wire: 22 - 12AWG / 0.30 - 3.0mm²
- Stranded wire: 22 - 12AWG / 0.30 - 3.0mm²
- Torque: 5Lb-In / 0.57Nm

- Wire strip length: 7 - 8mm
- Screw: M3
- Pitch: 5.08mm

PACKAGING

- Box

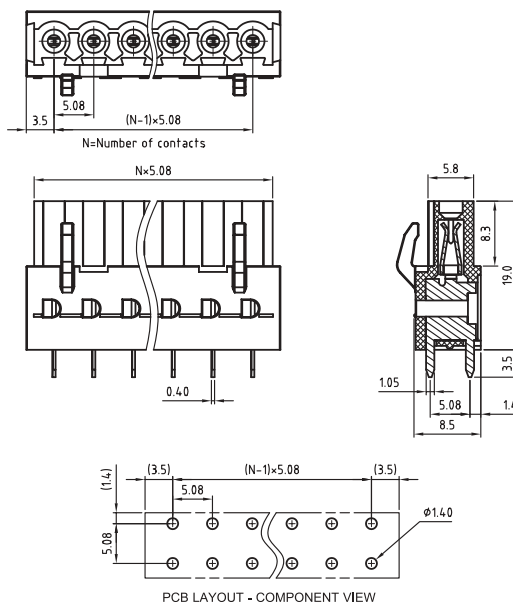
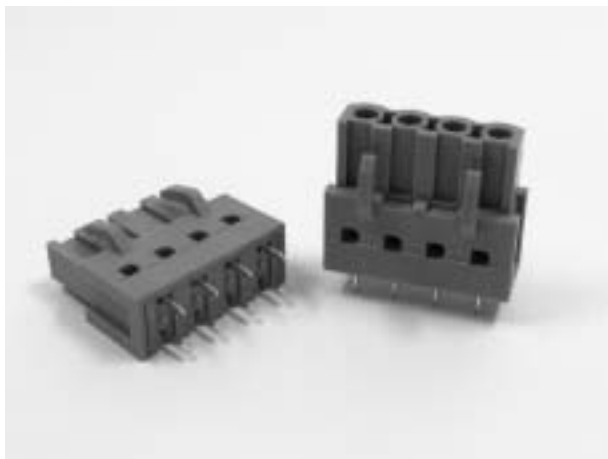
Note: Other pin number, 07 and 09 to 24, can be delivered but they are not kept in stock and are subject to MOQ

Order Code	Pins	AWG	Approval Certification
691 348 500 002	2	See Mechanical characteristics	Under Processing
691 348 500 003	3		
691 348 500 004	4		
691 348 500 005	5		
691 348 500 006	6		
691 348 500 008	8		



NEW

Serie 3075 - 5.08mm Reversed Gender Vertical PCB Header WR-TBL



MATERIAL

- Insulator material: PA 66
- Flammability rating: UL94-V0
- Colour: Green
- Contact PIN: Brass (CuZn)
- Surface of solder tail plating: Tin

ENVIRONMENTAL

- Operating temperature: -40 °C up to 105 °C
- Compliance: Lead free & RoHS
- Safety approval: See table

SOLDERING

- Solder temperature: JEDEC lead free wave soldering

ELECTRICAL

- Current rating: cULus 10A
- Working voltage: 300Vac
- Withstanding voltage: 1.6kV
- Contact resistance: 20 mOhm max

MECHANICAL

- Pitch: 5.08mm

PACKAGING

- Box

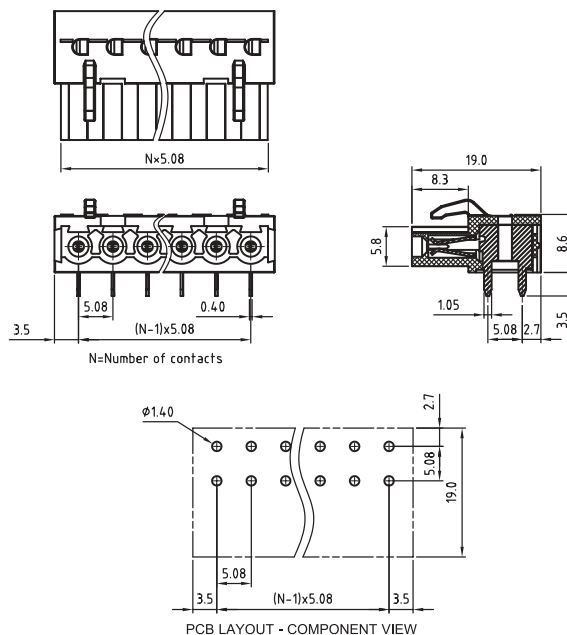
Note: Other pin number, 07 and 09 to 24, can be delivered but they are not kept in stock and are subject to MOQ

Order Code	Pins	AWG	Approval Certification
691 307 500 002	2	See Mechanical characteristics	Under Processing
691 307 500 003	3		
691 307 500 004	4		
691 307 500 005	5		
691 307 500 006	6		
691 307 500 008	8		



NEW

Serie 3095 - 5.08mm Reversed Gender Horizontal PCB Header WR-TBL



MATERIAL

- Insulator material: PA 66
- Flammability rating: UL94-V0
- Colour: Green
- Contact PIN: Brass (CuZn)
- Surface of solder tail plating: Tin

ENVIRONMENTAL

- Operating temperature: -40 °C up to 105 °C
- Compliance: Lead free & RoHS
- Safety approval: See table

SOLDERING

- Solder temperature: JEDEC lead free wave soldering

ELECTRICAL

- Current rating: cULus 10A
- Working voltage: 300Vac
- Withstanding voltage: 1.6kV
- Contact resistance: 20 mOhm max

MECHANICAL

- Pitch: 5.08mm

PACKAGING

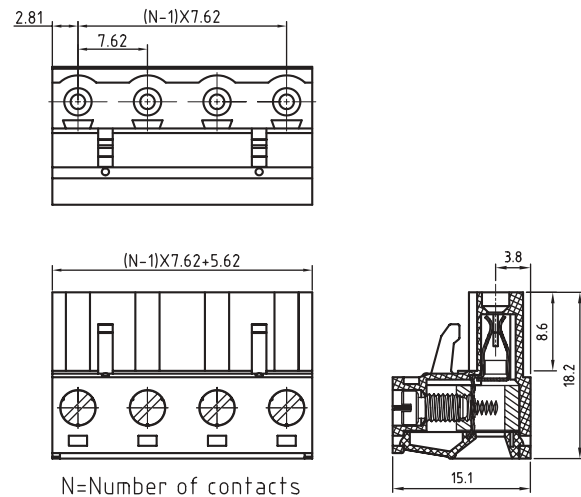
- Box

Note: Other pin number, 07 and 09 to 24, can be delivered but they are not kept in stock and are subject to MOQ

Order Code	Pins	AWG	Approval Certification
691 309 510 002	2	See Mechanical characteristics	Under Processing
691 309 510 003	3		
691 309 510 004	4		
691 309 510 005	5		
691 309 510 006	6		
691 309 510 008	8		

NEW

Serie 3514 - 7.62mm Vertical Cable Entry Plug - 3.0mm² Wires WR-TBL



MATERIAL

- Insulator material: PA 66
- Flammability rating: UL94-V0
- Colour: Green
- Metal housing: Brass (CuZn)
- Terminal screw: Steel Zinc plating "-" slot type
- Wire guard: PhBz Tin plated

ENVIRONMENTAL

- Operating temperature: -40 °C up to 105 °C
- Compliance: Lead free & RoHS
- Safety approval: See table

ELECTRICAL

- Current rating: 20A
- Working voltage: 300Vac
- Withstanding voltage: 1.6kV
- Contact resistance: 20 mOhm max

MECHANICAL


- Solid wire: 24 - 12AWG / 0.2 -3.0mm²
- Stranded wire: 24 - 12AWG / 0.2 -3.0mm²
- Torque: 5.0Lb-In / 0.5Nm

- Wire strip length: 7 - 8mm
- Screw: M3
- Pitch: 7.62mm

PACKAGING

- Box

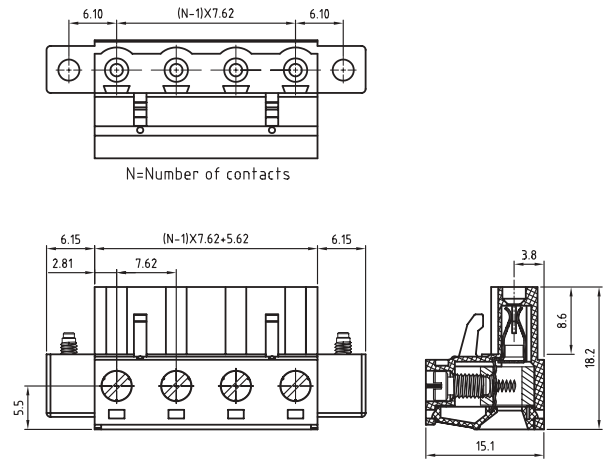
Note: Other pin number, 07 and 09 to 16, can be delivered but they are not kept in stock and are subject to MOQ

Order Code	Pins	AWG	Approval Certification
691 351 400 002	2	See Mechanical characteristics	
691 351 400 003	3		
691 351 400 004	4		
691 351 400 005	5		
691 351 400 006	6		
691 351 400 008	8		



NEW

Serie 3404 - 7.62mm Vertical Cable Entry Plug with Flanges - 3.0mm² Wires WR-TBL



MATERIAL

- Insulator material: PA 66
- Flammability rating: UL94-V0
- Colour: Green
- Metal housing: Brass (CuZn)
- Terminal screw: Steel Zinc plating “-” slot type
- Wire guard: PhBz Tin plated
- Flange screw: Stel M2.5

ENVIRONMENTAL

- Operating temperature: -40 °C up to 105 °C
- Compliance: Lead free & RoHS
- Safety approval: See table

ELECTRICAL

- Current rating: 20A
- Working voltage: 300Vac
- Withstanding voltage: 1.6kV
- Contact resistance: 20 mOhm max

MECHANICAL

- Solid wire: 24 - 12AWG / 0.2 -3.0mm²
- Stranded wire: 24 - 12AWG / 0.2 -3.0mm²
- Torque: 5.0Lb-In / 0.5Nm

- Wire strip length: 7 - 8mm
- Screw: M3
- Pitch: 7.62mm

PACKAGING

- Box

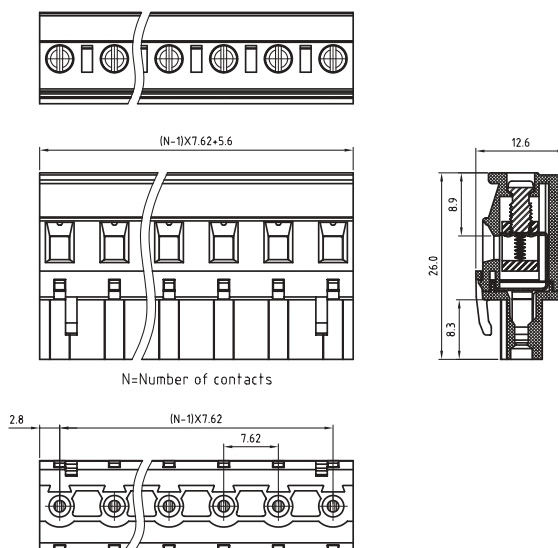
Note: Other pin number, 07 and 09 to 16, can be delivered but they are not kept in stock and are subject to MOQ

Order Code	Pins	AWG	Approval Certification
691 340 400 002	2	See Mechanical characteristics	
691 340 400 003	3		
691 340 400 004	4		
691 340 400 005	5		
691 340 400 006	6		
691 340 400 008	8		



NEW

Serie 3524 - 7.62mm Horizontal Cable Entry Plug with Hook on Wire Side - 3.0mm² Wires WR-TBL



MATERIAL

- Insulator material: PA 66
- Flammability rating: UL94-V0
- Colour: Green
- Metal housing: Brass (CuZn)
- Terminal screw: Steel Zinc plating “-” slot type
- Wire guard: PhBz Tin plated

ENVIRONMENTAL

- Operating temperature: -40 °C up to 105 °C
- Compliance: Lead free & RoHS
- Safety approval: See table

ELECTRICAL

- Current rating: 15A
- Working voltage: 300Vac
- Withstanding voltage: 1.6kV
- Contact resistance: 20 mOhm max

MECHANICAL

- Solid wire: 24 - 12AWG / 0.2 -3.0mm²
- Stranded wire: 24 - 12AWG / 0.2 -3.0mm²
- Torque: 4.3Lb-In / 0.49Nm
- Wire strip length: 6 - 7mm
- Screw: M3
- Pitch: 7.62mm

PACKAGING

- Box

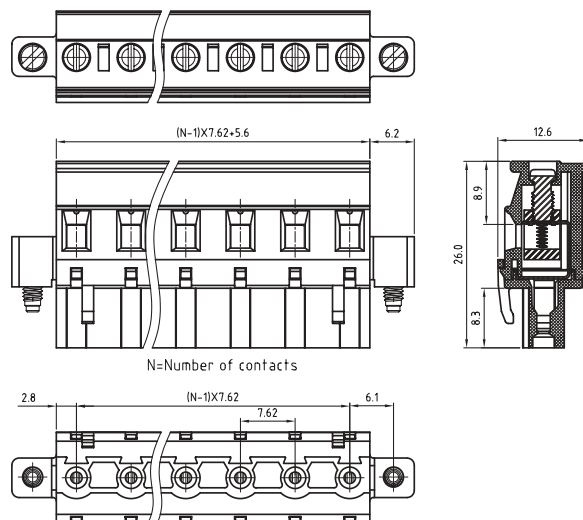
Note: Other pin number, 07 and 09 to 16, can be delivered but they are not kept in stock and are subject to MOQ

Order Code	Pins	AWG	Approval Certification
691 352 410 002	2	See Mechanical characteristics	
691 352 410 003	3		
691 352 410 004	4		
691 352 410 005	5		
691 352 410 006	6		
691 352 410 008	8		



NEW

Serie 3434 - 7.62mm Horiz. Cable Entry Plug with Flanges & Hook on Wire Side - 3.0mm² Wires WR-TBL



MATERIAL

- Insulator material: PA 66
- Flammability rating: UL94-V0
- Colour: Green
- Metal housing: Brass (CuZn)
- Terminal screw: Steel Zinc plating “-” slot type
- Wire guard: PhBz Tin plated
- Flange screw: Steel M2.5

ENVIRONMENTAL

- Operating temperature: -40 °C up to 105 °C
- Compliance: Lead free & RoHS
- Safety approval: See table

ELECTRICAL

- Current rating: 15A
- Working voltage: 300Vac
- Withstanding voltage: 1.6kV
- Contact resistance: 20 mOhm max

MECHANICAL

- Solid wire: 24 - 12AWG / 0.2 -3.0mm²
- Stranded wire: 24 - 12AWG / 0.2 -3.0mm²
- Torque: 4.3Lb-In / 0.49Nm
- Wire strip length: 6 - 7mm
- Screw: M3
- Pitch: 7.62mm

PACKAGING

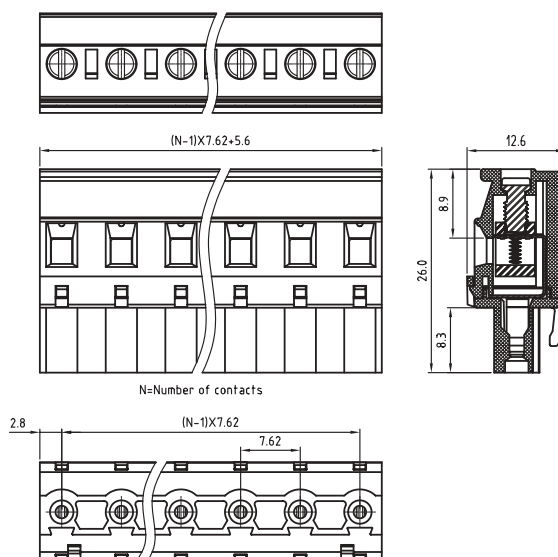
- Box

Note: Other pin number, 07 and 09 to 16, can be delivered but they are not kept in stock and are subject to MOQ

Order Code	Pins	AWG	Approval Certification
691 343 410 002	2	See Mechanical characteristics	
691 343 410 003	3		
691 343 410 004	4		
691 343 410 005	5		
691 343 410 006	6		
691 343 410 008	8		

NEW

Serie 3444 - 7.62mm Horizontal Cable Entry Plug with Hook on Back Side - 3.0mm² Wires WR-TBL



MATERIAL

- Insulator material: PA 66
- Flammability rating: UL94-V0
- Colour: Green
- Metal housing: Brass (CuZn)
- Terminal screw: Steel Zinc plating "-" slot type
- Wire guard: PhBz Tin plated

ENVIRONMENTAL

- Operating temperature: -40 °C up to 105 °C
- Compliance: Lead free & RoHS
- Safety approval: See table

ELECTRICAL

- Current rating: 15A
- Working voltage: 300Vac
- Withstanding voltage: 1.6kV
- Contact resistance: 20 mOhm max

MECHANICAL


- Solid wire: 24 - 12AWG / 0.2 - 3.0mm²
- Stranded wire: 24 - 12AWG / 0.2 - 3.0mm²
- Torque: 4.3Lb-In / 0.49Nm

- Wire strip length: 6 - 7mm
- Screw: M3
- Pitch: 7.62mm

PACKAGING

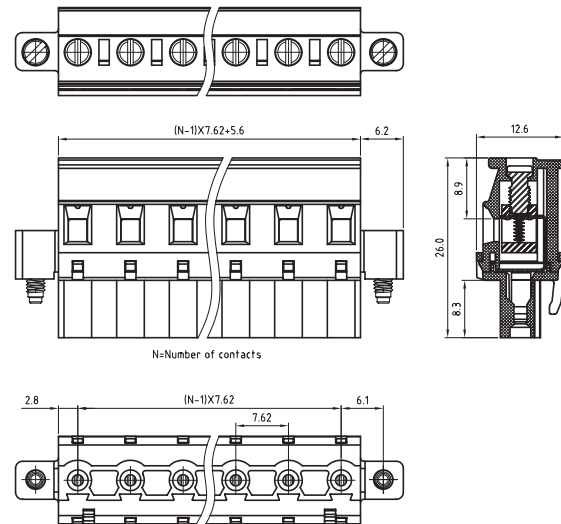
- Box

Note: Other pin number, 07 and 09 to 16, can be delivered but they are not kept in stock and are subject to MOQ

Order Code	Pins	AWG	Approval Certification
691 344 410 002	2	See Mechanical characteristics	
691 344 410 003	3		
691 344 410 004	4		
691 344 410 005	5		
691 344 410 006	6		
691 344 410 008	8		

NEW

Serie 3454 - 7.62mm Horiz. Cable Entry Plug with Flanges & Hook on Back Side - 3.0mm² Wires WR-TBL



MATERIAL

- Insulator material: PA 66
- Flammability rating: UL94-V0
- Colour: Green
- Metal housing: Brass (CuZn)
- Terminal screw: Steel Zinc plating “-” slot type
- Wire guard: PhBz Tin plated
- Flange screw: Steel M2.5

ENVIRONMENTAL

- Operating temperature: -40 °C up to 105 °C
- Compliance: Lead free & RoHS
- Safety approval: See table

ELECTRICAL

- Current rating: 15A
- Working voltage: 300Vac
- Withstanding voltage: 1.6kV
- Contact resistance: 20 mOhm max

MECHANICAL


- Solid wire: 24 - 12AWG / 0.2 -3.0mm²
- Stranded wire: 24 - 12AWG / 0.2 -3.0mm²
- Torque: 4.3Lb-In / 0.49Nm

- Wire strip length: 6 - 7mm
- Screw: M3
- Pitch: 7.62mm

PACKAGING

- Box

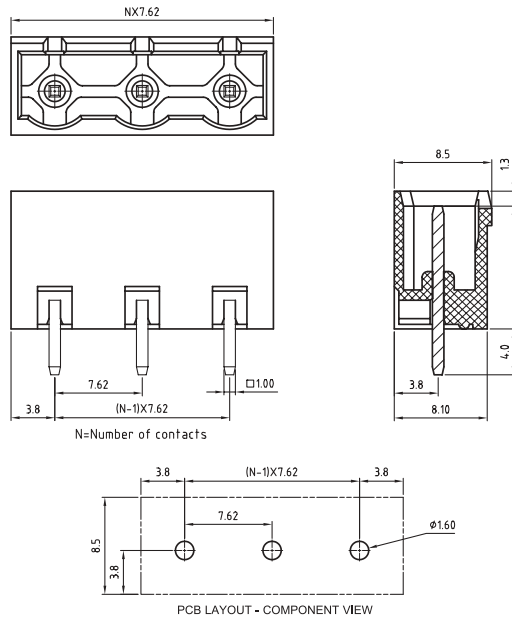
Note: Other pin number, 07 and 09 to 16, can be delivered but they are not kept in stock and are subject to MOQ

Order Code	Pins	AWG	Approval Certification
691 345 410 002	2	See Mechanical characteristics	
691 345 410 003	3		
691 345 410 004	4		
691 345 410 005	5		
691 345 410 006	6		
691 345 410 008	8		



NEW

Serie 3114 - 7.62mm Close Vertical PCB Header WR-TBL



MATERIAL

- Insulator material: PBT
- Flammability rating: UL94-V0
- Colour: Green
- Contact PIN: Brass (CuZn)
- Surface of solder tail plating: Tin

ENVIRONMENTAL

- Operating temperature: -40 °C up to 105 °C
- Compliance: Lead free & RoHS
- Safety approval: See table

SOLDERING

- Solder temperature: JEDEC lead free wave soldering

ELECTRICAL

- Current rating: 20A
- Working voltage: 300Vac
- Withstanding voltage: 1.6kV
- Contact resistance: 20 mOhm max

MECHANICAL

- Pitch: 7.62mm

PACKAGING

- Box

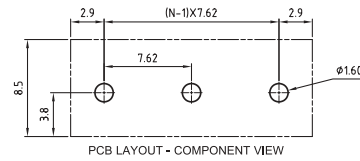
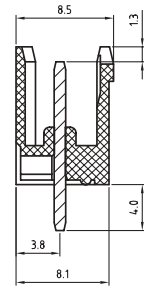
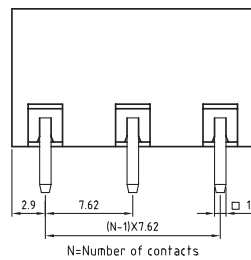
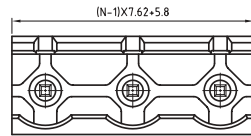
Note: Other pin number, 07 and 09 to 16, can be delivered but they are not kept in stock and are subject to MOQ

Order Code	Pins	AWG	Approval Certification
691 311 400 102	2	See Mechanical characteristics	
691 311 400 103	3		
691 311 400 104	4		
691 311 400 105	5		
691 311 400 106	6		
691 311 400 108	8		



NEW

Serie 3114 - 7.62mm Open Vertical PCB Header WR-TBL



MATERIAL

- Insulator material: PBT
- Flammability rating: UL94-V0
- Colour: Green
- Contact PIN: Brass (CuZn)
- Surface of solder tail plating: Tin

ENVIRONMENTAL

- Operating temperature: -40 °C up to 105 °C
- Compliance: Lead free & RoHS
- Safety approval: See table

SOLDERING

- Solder temperature: JEDEC lead free wave soldering

ELECTRICAL

- Current rating: 20A
- Working voltage: 300Vac
- Withstanding voltage: 1.6kV
- Contact resistance: 20 mOhm max

MECHANICAL

- Pitch: 7.62mm

PACKAGING

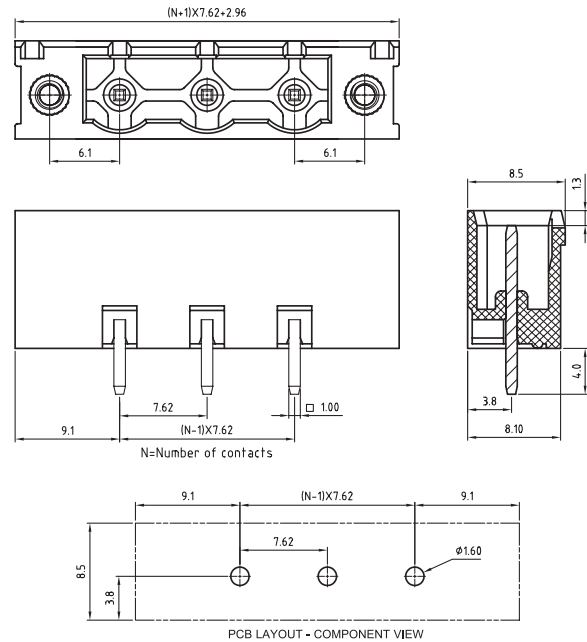
- Box

Note: Other pin number, 07 and 09 to 16, can be delivered but they are not kept in stock and are subject to MOQ

Order Code	Pins	AWG	Approval Certification
691 311 400 002	2	See Mechanical characteristics	
691 311 400 003	3		
691 311 400 004	4		
691 311 400 005	5		
691 311 400 006	6		
691 311 400 008	8		

NEW

Serie 3184 - 7.62mm Close Vertical PCB Header with Flanges WR-TBL



MATERIAL

- Insulator material: PBT
- Flammability rating: UL94-V0
- Colour: Green
- Contact PIN: Brass (CuZn)
- Surface of solder tail plating: Tin
- Flange screw nut: Brass M2.5

ENVIRONMENTAL

- Operating temperature: -40 °C up to 105 °C
- Compliance: Lead free & RoHS
- Safety approval: See table

SOLDERING

- Solder temperature: JEDEC lead free wave soldering

ELECTRICAL

- Current rating: cULus 20A
- Working voltage: 300Vac
- Withstanding voltage: 1.6kV
- Contact resistance: 20 mOhm max


MECHANICAL

- Pitch: 7.62mm

PACKAGING

- Box

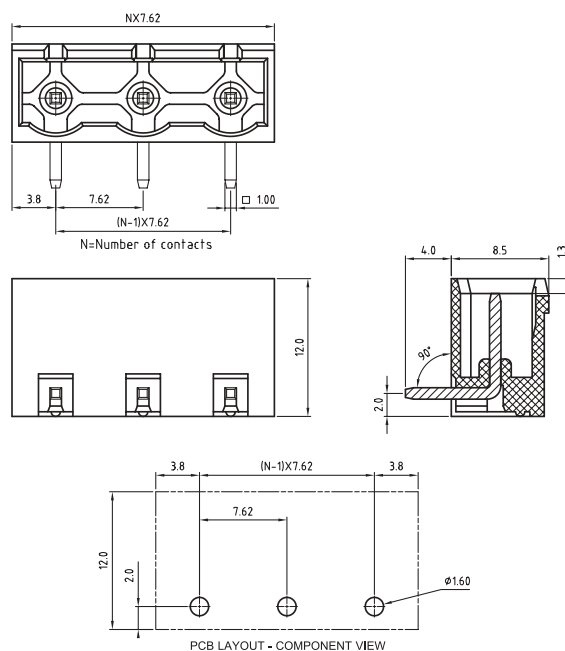
Note: Other pin number, 07 and 09 to 16, can be delivered but they are not kept in stock and are subject to MOQ

Order Code	Pins	AWG	Approval Certification
691 318 400 002	2	See Mechanical characteristics	
691 318 400 003	3		
691 318 400 004	4		
691 318 400 005	5		
691 318 400 006	6		
691 318 400 008	8		



NEW

Serie 3134 - 7.62mm Close Horizontal PCB Header WR-TBL



MATERIAL

- Insulator material: PBT
- Flammability rating: UL94-V0
- Colour: Green
- Contact PIN: Brass (CuZn)
- Surface of solder tail plating: Tin

ENVIRONMENTAL

- Operating temperature: -40 °C up to 105 °C
- Compliance: Lead free & RoHS
- Safety approval: See table

SOLDERING

- Solder temperature: JEDEC lead free wave soldering

ELECTRICAL

- Current rating: 20A
- Working voltage: 300Vac
- Withstanding voltage: 1.6kV
- Contact resistance: 20 mOhm max

MECHANICAL

- Pitch: 7.62mm

PACKAGING

- Box

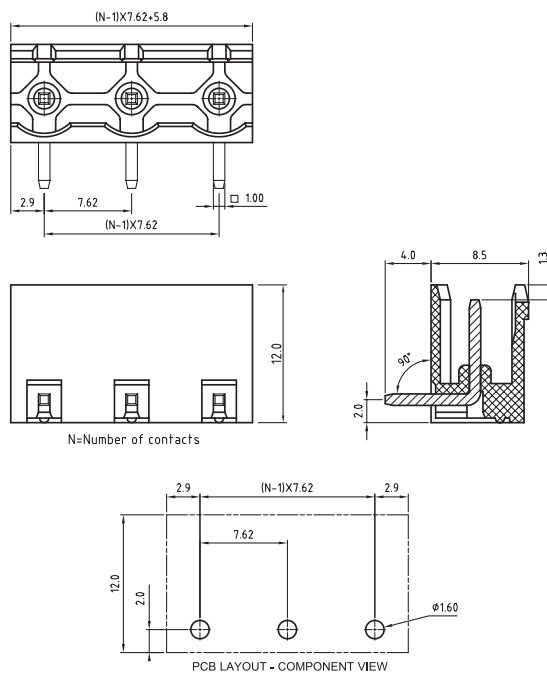
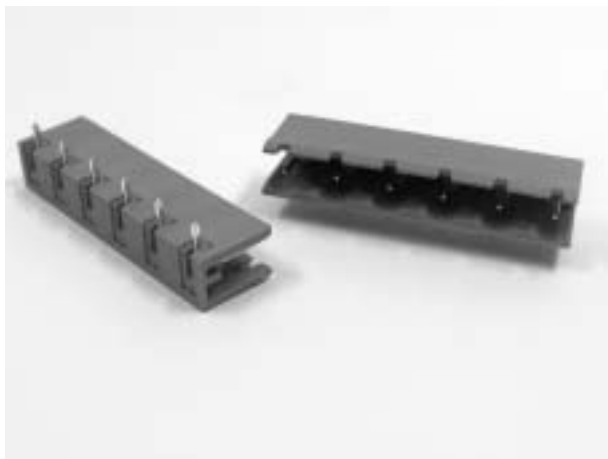
Note: Other pin number, 07 and 09 to 16, can be delivered but they are not kept in stock and are subject to MOQ

Order Code	Pins	AWG	Approval Certification
691 313 410 002	2	See Mechanical characteristics	
691 313 410 003	3		
691 313 410 004	4		
691 313 410 005	5		
691 313 410 006	6		
691 313 410 008	8		



NEW

Serie 3124 - 7.62mm Open Horizontal PCB Header WR-TBL



MATERIAL

- Insulator material: PBT
- Flammability rating: UL94-V0
- Colour: Green
- Contact PIN: Brass (CuZn)
- Surface of solder tail plating: Tin

ENVIRONMENTAL

- Operating temperature: -40 °C up to 105 °C
- Compliance: Lead free & RoHS
- Safety approval: See table

SOLDERING

- Solder temperature: JEDEC lead free wave soldering

ELECTRICAL

- Current rating: 20A
- Working voltage: 300Vac
- Withstanding voltage: 1.6kV
- Contact resistance: 20 mOhm max

MECHANICAL

- Pitch: 7.62mm

PACKAGING

- Box

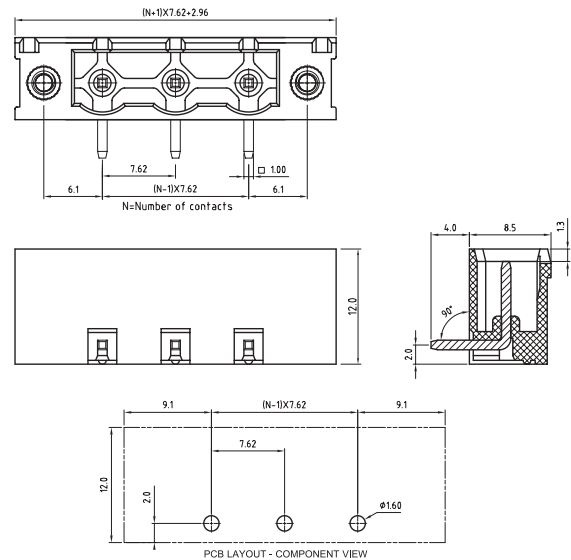
Note: Other pin number, 07 and 09 to 16, can be delivered but they are not kept in stock and are subject to MOQ

Order Code	Pins	AWG	Approval Certification
691 312 410 002	2	See Mechanical characteristics	
691 312 410 003	3		
691 312 410 004	4		
691 312 410 005	5		
691 312 410 006	6		
691 312 410 008	8		



NEW

Serie 3174 - 7.62mm Close Horizontal PCB Header with Flanges WR-TBL



MATERIAL

- Insulator material: PBT
- Flammability rating: UL94-V0
- Colour: Green
- Contact PIN: Brass (CuZn)
- Surface of solder tail plating: Tin
- Flange screw nut: Brass M2.5

ENVIRONMENTAL

- Operating temperature: -40 °C up to 105 °C
- Compliance: Lead free & RoHS
- Safety approval: See table

SOLDERING

- Solder temperature: JEDEC lead free wave soldering

ELECTRICAL

- Current rating: 20A
- Working voltage: 300Vac
- Withstanding voltage: 1.6kV
- Contact resistance: 20 mOhm max

MECHANICAL

- Pitch: 7.62mm

PACKAGING

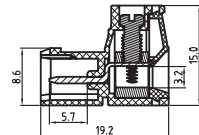
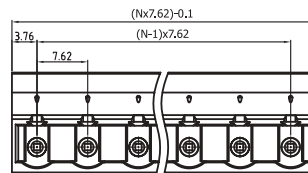
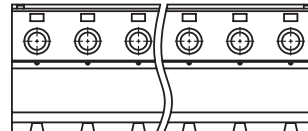
- Box

Note: Other pin number, 07 and 09 to 16, can be delivered but they are not kept in stock and are subject to MOQ

Order Code	Pins	AWG	Approval Certification
691 317 410 002	2	See Mechanical characteristics	
691 317 410 003	3		
691 317 410 004	4		
691 317 410 005	5		
691 317 410 006	6		
691 317 410 008	8		

NEW

Serie 3484 - 7.62mm Reversed Gender Vertical Cable Entry Plug - 3.0mm² Wires WR-TBL



MATERIAL

- Insulator material: PA 66
- Flammability rating: UL94-V0
- Colour: Green
- Metal housing: Brass (CuZn)
- Terminal screw: Steel Zinc plating "L" slot type
- Wire guard: PhBz Tin plated

ENVIRONMENTAL

- Operating temperature: -40 °C up to 105 °C
- Compliance: Lead free & RoHS
- Safety approval: See table

ELECTRICAL

- Current rating: 10A
- Working voltage: 300Vac
- Withstanding voltage: 1.6kV
- Contact resistance: 20 mOhm max

MECHANICAL

- Solid wire: 24 - 12AWG / 0.2 - 3.0mm²
- Stranded wire: 24 - 12AWG / 0.2 - 3.0mm²
- Torque: 5.0Lb-In / 0.5Nm

- Wire strip length: 7 - 8mm
- Screw: M3
- Pitch: 7.62mm

PACKAGING

- Box

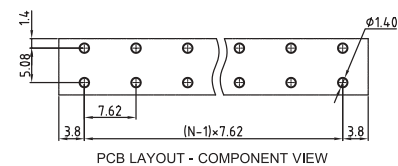
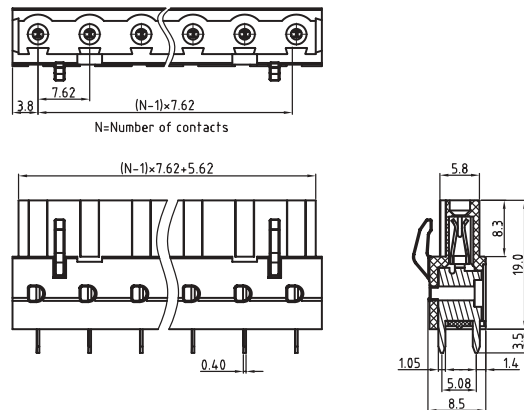
Note: Other pin number, 07 and 09 to 16, can be delivered but they are not kept in stock and are subject to MOQ

Order Code	Pins	AWG	Approval Certification
691 348 400 002	2	See Mechanical characteristics	Under Processing
691 348 400 003	3		
691 348 400 004	4		
691 348 400 005	5		
691 348 400 006	6		
691 348 400 008	8		



NEW

Serie 3074 - 7.62mm Reversed Gender Vertical PCB Header WR-TBL



MATERIAL

- Insulator material: PA 66
- Flammability rating: UL94-V0
- Colour: Green
- Contact PIN: Brass (CuZn)
- Surface of solder tail plating: Tin

ENVIRONMENTAL

- Operating temperature: -40 °C up to 105 °C
- Compliance: Lead free & RoHS
- Safety approval: See table

SOLDERING

- Solder temperature: JEDEC lead free wave soldering

ELECTRICAL

- Current rating: 10A
- Working voltage: 300Vac
- Withstanding voltage: 1.6kV
- Contact resistance: 20 mOhm max

- Pitch: 7.62mm

PACKAGING

- Box

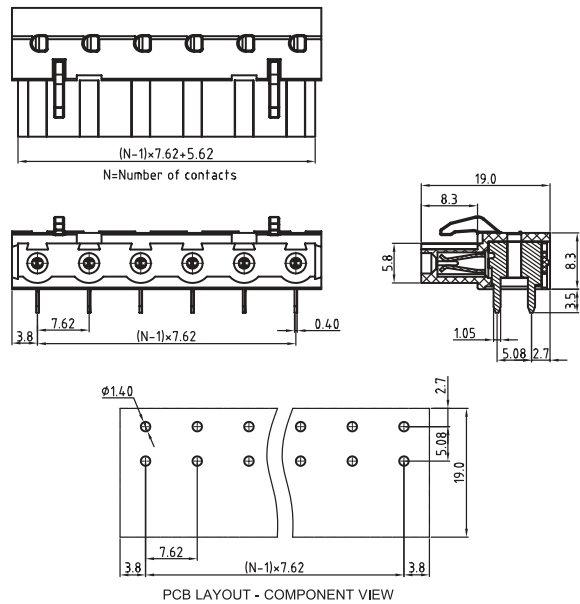
Note: Other pin number, 07 and 09 to 16, can be delivered but they are not kept in stock and are subject to MOQ

Order Code	Pins	AWG	Approval Certification
691 307 400 002	2	See Mechanical characteristics	Under Processing
691 307 400 003	3		
691 307 400 004	4		
691 307 400 005	5		
691 307 400 006	6		
691 307 400 008	8		



NEW

Serie 3094 - 7.62mm Reversed Gender Horizontal PCB Header WR-TBL



MATERIAL

- Insulator material: PA 66
- Flammability rating: UL94-V0
- Colour: Green
- Contact PIN: Brass (CuZn)
- Surface of solder tail plating: Tin

ENVIRONMENTAL

- Operating temperature: -40 °C up to 105 °C
- Compliance: Lead free & RoHS
- Safety approval: See table

SOLDERING

- Solder temperature: JEDEC lead free wave soldering

ELECTRICAL

- Current rating: cULus 10A
- Working voltage: 300Vac
- Withstanding voltage: 1.6kV
- Contact resistance: 20 mOhm max

MECHANICAL

- Pitch: 7.62mm

PACKAGING

- Box

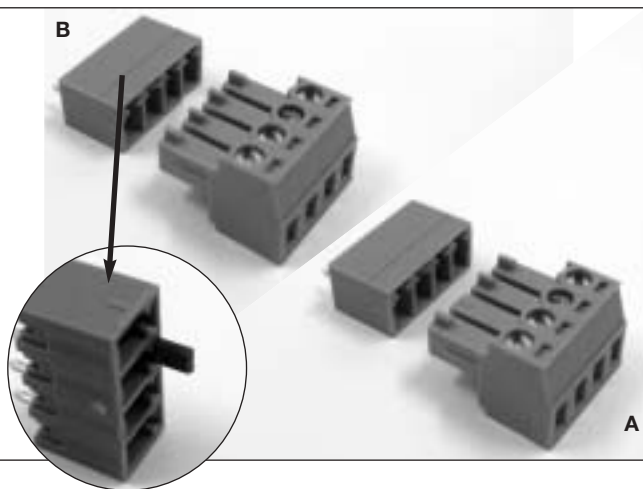
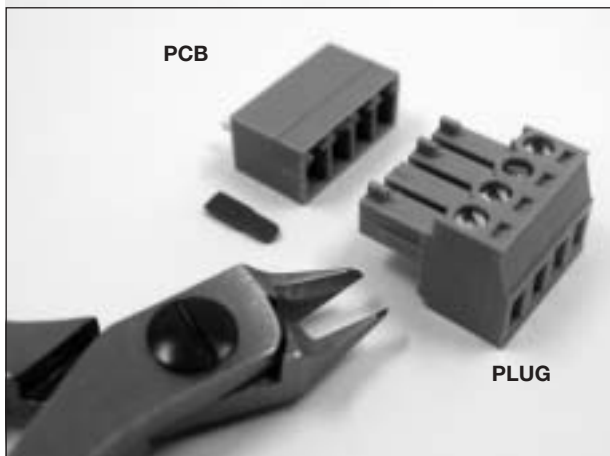
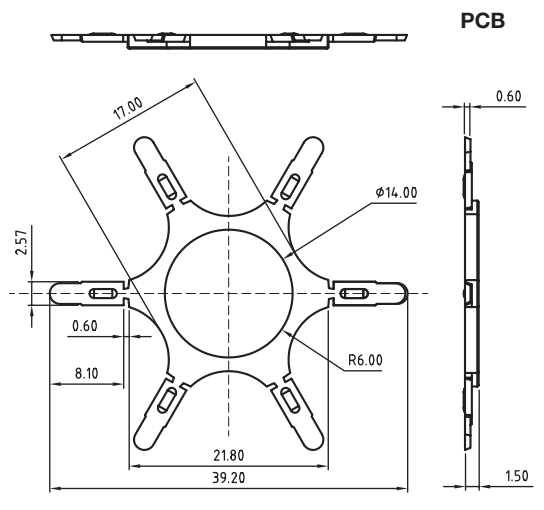
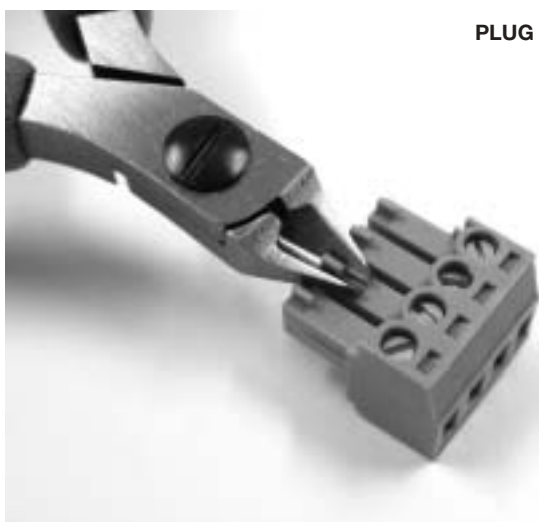
Note: Other pin number, 07 and 09 to 16, can be delivered but they are not kept in stock and are subject to MOQ

Order Code	Pins	AWG	Approval Certification
691 309 410 002	2	See Mechanical characteristics	Under Processing
691 309 410 003	3		
691 309 410 004	4		
691 309 410 005	5		
691 309 410 006	6		
691 309 410 008	8		



NEW

Coding Key For 3.5 and 3.81mm Pitch Series WR-TBL



MATERIAL

- Insulator material: PA 66
- Flammability rating: UL94-V0
- Colour: Red

MECHANICAL

- Applicable pitch: 3.50/3.81mm

ENVIRONMENTAL

- Operating temperature: -40°C up to 105°C
- Compliance: Lead free & RoHS

PACKAGING

- Box

By using a coding key you avoid any risk of mis-plugging

For this you must add/break one part of the **691 399 900 003** in the PCB connector.

To cut the plug's nose on the corresponding pin n° makes the connection possible (see photo A)

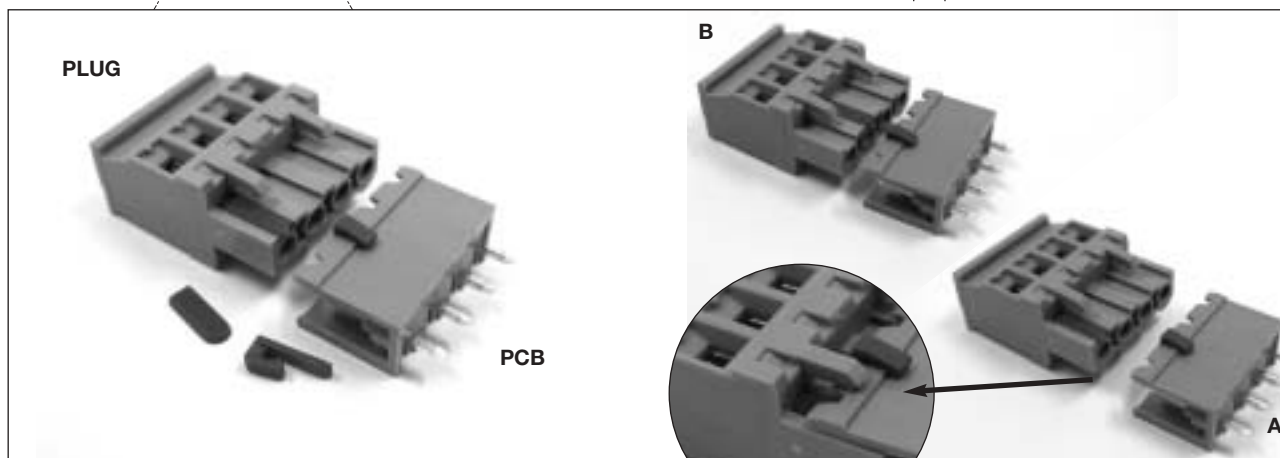
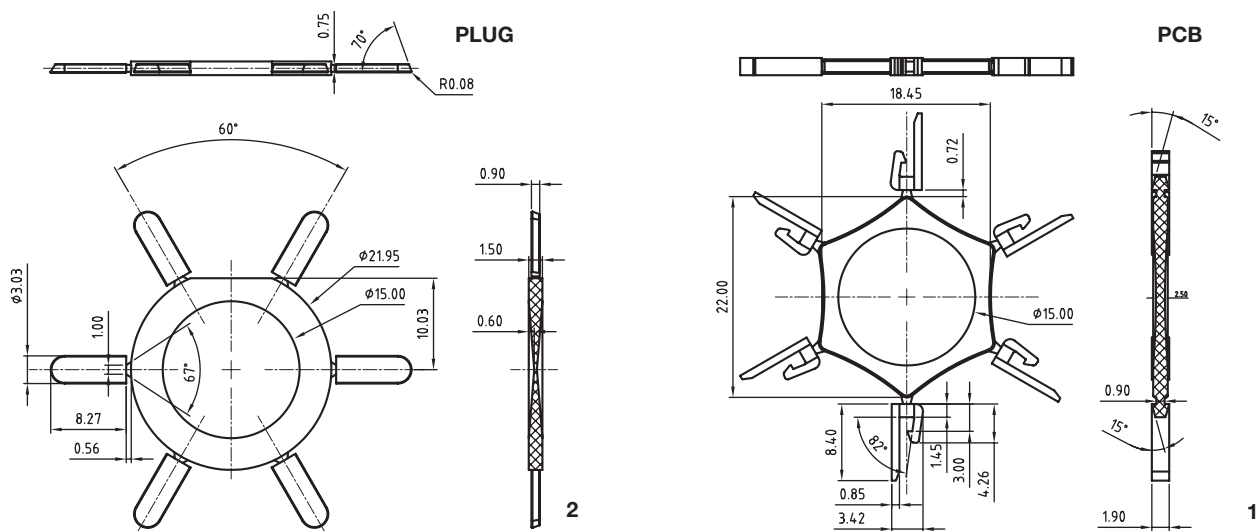
Without cutting the plug's nose on the corresponding pin n° the connection becomes impossible (see photo B)

Order Code	Figure	To be used with following TBL
691 399 900 003	1	691 3xx 1...(3,5mm pitch) / 691 3xx 3... (3,81mm pitch) on the PCB side
600 691 000 001	2	Cutting plier



NEW

Coding Key For 5.0 / 5.08 and 7.62mm Pitch Series WR-TBL



MATERIAL

- Insulator material: PA 66
- Flammability rating: UL94-V0
- Colour: Red

MECHANICAL

- Pitch: 5.0/5.08/7.62mm

ENVIRONMENTAL

- Operating temperature: -40°C up to 105°C
- Compliance: Lead free & RoHS

PACKAGING

- Box

By using a coding key you avoid any risk of mis-plugging

For this you must add/break one part of the:

- 691 399 900 002 in the PCB connector
- 691 399 900 001 in the plug

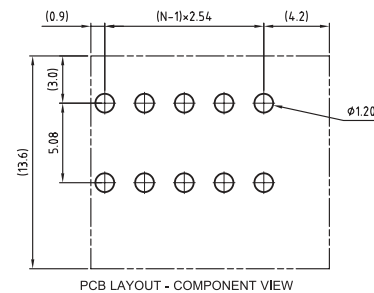
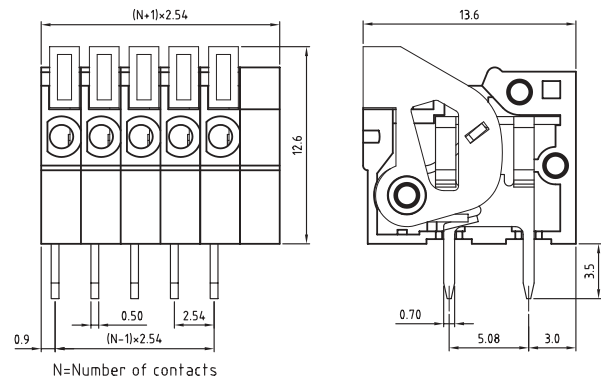
If keys are on different pin n° (on the plug and PCB connector) mating remains possible (see photo A)

If keys are on the same pin ° (on the plug and PCB connector) mating becomes not possible anymore (see photo B)

Order Code	Figure	To be used
691 399 900 002	1	691 3xx 7... (5,0mm pitch) / 691 3xx 5... (5,08mm pitch) / 691 3xx 4... (7,62mm pitch) on the PCB side
691 399 900 001	2	691 3xx 7... (5,0mm pitch) / 691 3xx 5... (5,08mm pitch) / 691 3xx 4... (7,62mm pitch) on the plug

NEW

Serie 4029 - 2.54mm Screwless Horizontal Entry - 0.5mm² Wires WR-TBL



MATERIAL

- Insulator material: PBT
- Flammability rating: UL94-V0
- Colour: Green/Orange
- Wire guard: Stainless steel
- Contact pin: Brass
- Surface of solder tail plating: Tin

ENVIRONMENTAL

- Operating temperature: -40 °C up to 105 °C
- Compliance: Lead free & RoHS
- Safety approval: See table

SOLDERING

- Solder temperature: JEDEC lead free wave soldering

ELECTRICAL

- Current rating: 2A
- Working voltage: 150Vac
- Withstanding voltage: 1.3kV
- Contact resistance: 20 mOhm max


MECHANICAL

- Solid wire: 26 - 20AWG / 0.13 - 0.52mm²
- Stranded wire: 26 - 20AWG / 0.13 - 0.52mm²
- Wire strip length: 9 - 10mm
- Pitch: 2.54mm

PACKAGING

- Box

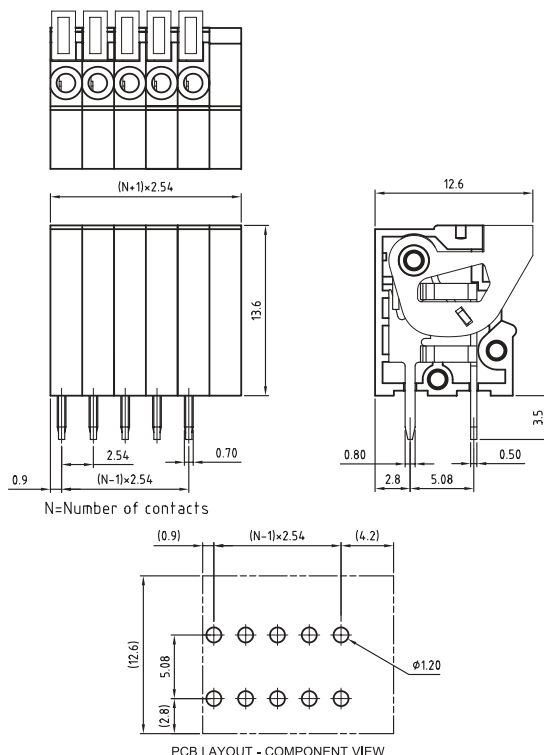
Note: Other pin number, 07 and 09 to 24, can be delivered but they are not kept in stock and are subject to MOQ

Order Code	Pins	AWG	Approval Certification
691 402 910 002	2	See Mechanical characteristics	
691 402 910 003	3		
691 402 910 004	4		
691 402 910 005	5		
691 402 910 006	6		
691 402 910 008	8		



NEW

Serie 4039 - 2.54mm Screwless Vertical Entry - 0.5mm² Wires WR-TBL



MATERIAL

- Insulator material: PBT
- Flammability rating: UL94-V0
- Colour: Green/Orange
- Wire guard: Stainless steel
- Metal housing: Brass
- Surface of solder tail plating: Tin

ENVIRONMENTAL

- Operating temperature: -40 °C up to 105 °C
- Compliance: Lead free & RoHS
- Safety approval: See table

SOLDERING

- Solder temperature: JEDEC lead free wave soldering

ELECTRICAL

- Current rating: 2A
- Working voltage: 150Vac
- Withstanding voltage: 1.3kV
- Contact resistance: 20 mOhm max

MECHANICAL

- Solid wire: 26 - 20AWG / 0.13 - 0.52mm²
- Stranded wire: 26 - 20AWG / 0.13 - 0.52mm²
- Wire strip length: 9 - 10mm
- Pitch: 2.54mm

PACKAGING

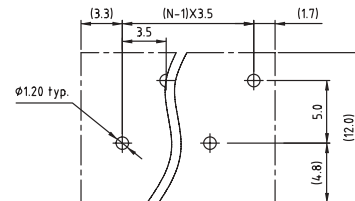
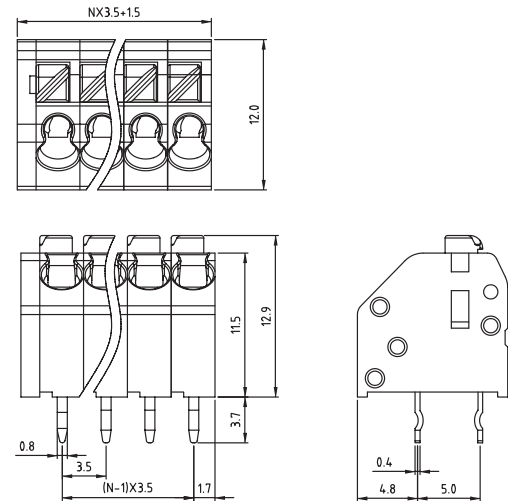
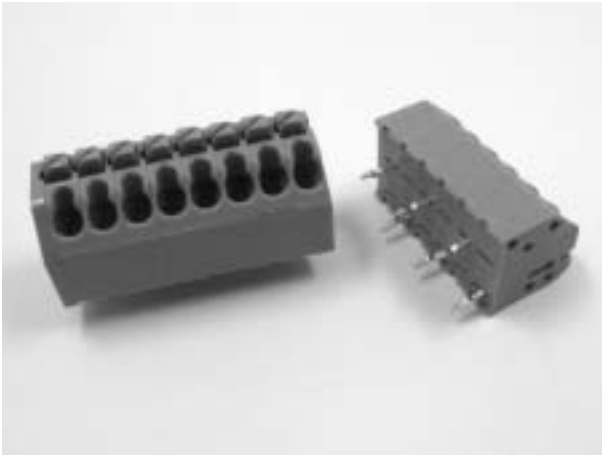
- Box

Note: Other pin number, 07 and 09 to 24, can be delivered but they are not kept in stock and are subject to MOQ

Order Code	Pins	AWG	Approval Certification
691 403 900 002	2	See Mechanical characteristics	
691 403 900 003	3		
691 403 900 004	4		
691 403 900 005	5		
691 403 900 006	6		
691 403 900 008	8		

EXTENDED
RANGE

Serie 412 - 3.5mm Screwless 45° Entry Grey - 1.5mm² Wires WR-TBL



PCB LAYOUT - COMPONENT VIEW



MATERIAL

- Insulator material: PA 66
- Flammability rating: UL94-V0
- Colour: Grey
- Metal housing: PhBz
- Surface of solder tail plating: Tin

ENVIRONMENTAL

- Operating temperature: -40 °C up to 105 °C
- Compliance: Lead free & RoHS
- Safety approval: See table

SOLDERING

- Solder temperature: JEDEC lead free wave soldering

ELECTRICAL

- Current rating: 6A
- Working voltage: 300Vac
- Withstanding voltage: 1.6kV
- Contact resistance: 20 mOhm max

cULus

VDE

MECHANICAL



- Solid wire: 20 - 16AWG / 0.5 - 1.50mm²
- Stranded wire: 20 - 16AWG / 0.5 - 1.50mm²

- Wire strip length: 6 - 7mm
- Pitch: 3.5mm

PACKAGING

- Box

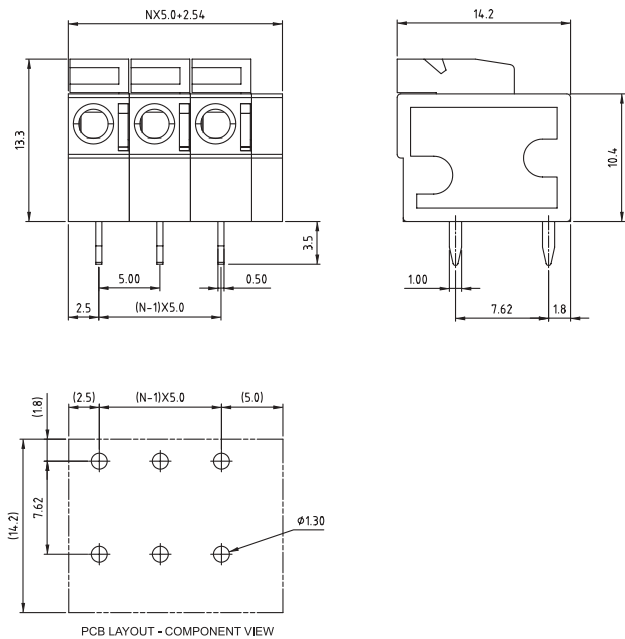
xx = 02 to 24pin

Order Code	Pins	AWG	Approval Certification
691 412 120 0 xx	2 to 24	See Mechanical characteristics	 



EXTENDED
RANGE

Serie 401 - 5.00mm Screwless Horizontal Entry - 2.0mm² Wires WR-TBL



MATERIAL

- Insulator material: PBT
- Flammability rating: UL94-V0
- Colour: Green/Orange
- Metal housing: Brass (CuZn)
- Wire guard: Stainless steel
- Surface of solder tail plating: Tin

ENVIRONMENTAL

- Operating temperature: -40 °C up to 105 °C
- Compliance: Lead free & RoHS
- Safety approval: See table

SOLDERING

- Solder temperature: JEDEC lead free wave soldering

ELECTRICAL

- Current rating: 10A
- Working voltage: 300Vac
- Withstanding voltage: 1.6kV
- Contact resistance: 20 mOhm max

cULus

VDE

10A

10A

300Vac

250Vac

1.6kV

2.0kV

20 mOhm max

MECHANICAL

- Solid wire: 24 - 14AWG / 0.20 - 2.0mm²
- Stranded wire: 24 - 14AWG / 0.20 - 2.0mm²

- Wire strip length: 6 - 7mm
- Pitch: 5.0mm

PACKAGING

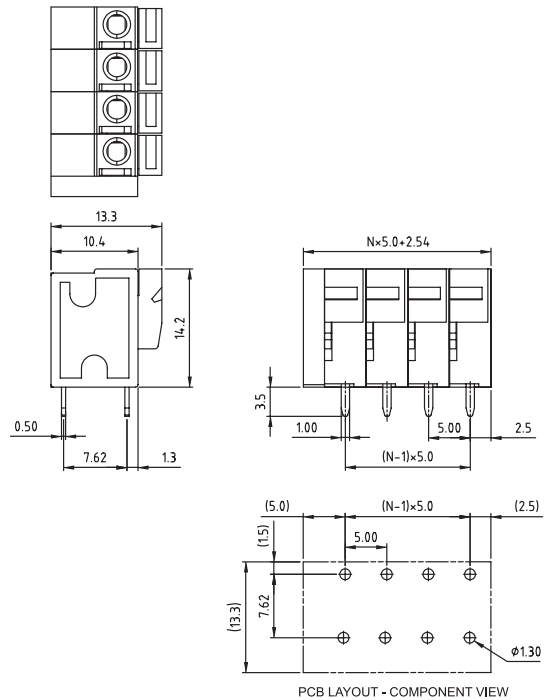
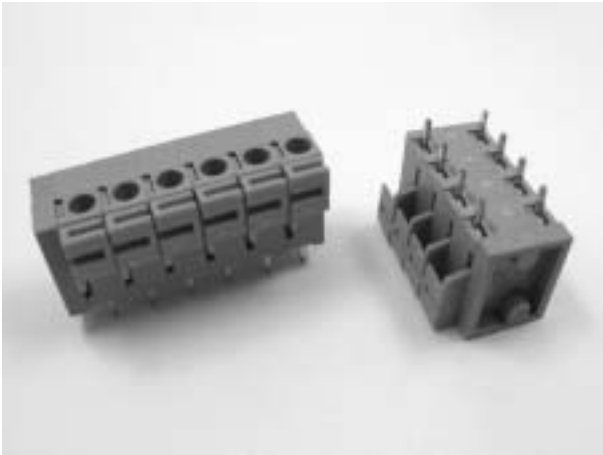
- Box

xx = 02 to 24pin

Order Code	Pins	AWG	Approval Certification
691 401 710 0 xx	2 to 24	See Mechanical characteristics	

EXTENDED
RANGE

Serie 401 - 5.00mm Screwless Vertical Entry - 2.0mm² Wires WR-TBL



MATERIAL

- Insulator material: PBT
- Flammability rating: UL94-V0
- Colour: Green/Orange
- Metal housing: Brass (CuZn)
- Wire guard: Stainless steel
- Surface of solder tail plating: Tin

ENVIRONMENTAL

- Operating temperature: -40 °C up to 105 °C
- Compliance: Lead free & RoHS
- Safety approval: See table

SOLDERING

- Solder temperature: JEDEC lead free wave soldering

ELECTRICAL

- Current rating: 10A
- Working voltage: 300Vac
- Withstanding voltage: 1.6kV
- Contact resistance: 20 mOhm max

MECHANICAL



- Solid wire: 24 - 14 / 0.20 - 2.0mm²
- Stranded wire: 24 - 14 / 0.20 - 2.0mm²

- Wire strip length: 6 - 7mm
- Pitch: 5.0mm

PACKAGING

- Box

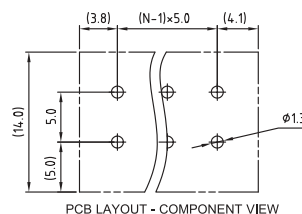
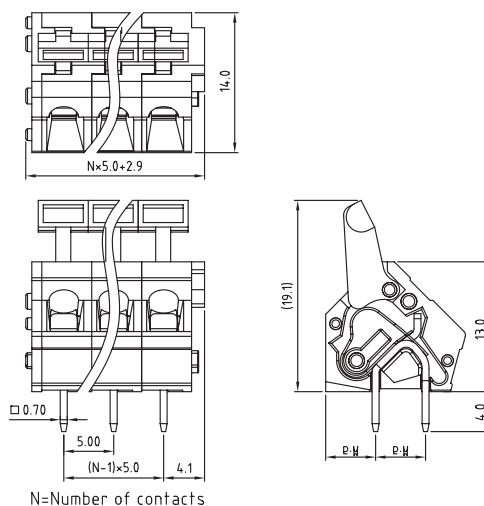
xx = 02 to 24pin

Order Code	Pins	AWG	Approval Certification
691 401 700 0 xx	2 to 24	See Mechanical characteristics	 



NEW

Serie 4147 - 5.00mm Screwless 45° Entry - 3.0mm² Wires WR-TBL



MATERIAL

- Insulator material: PA 66
- Flammability rating: UL94-V0
- Colour: Grey/White
- Wire guard: Stainless steel
- Metal housing: Brass
- Surface of solder tail plating: Tin

ENVIRONMENTAL

- Operating temperature: -40 °C up to 105 °C
- Compliance: Lead free & RoHS
- Safety approval: See table

SOLDERING

- Solder temperature: JEDEC lead free wave soldering

ELECTRICAL

- Current rating: 15A
- Working voltage: 300Vac
- Withstanding voltage: 1.3kV
- Contact resistance: 20 mOhm max

MECHANICAL

- Solid wire: 28 - 12AWG / 0.08 - 3.0mm²
- Stranded wire: 28 - 12AWG / 0.08 - 3.0mm²
- Wire strip length: 6 - 7mm
- Pitch: 5.00mm

PACKAGING

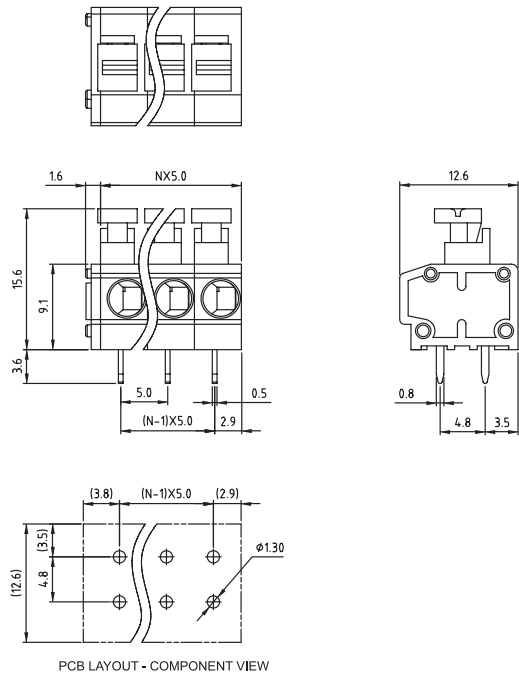
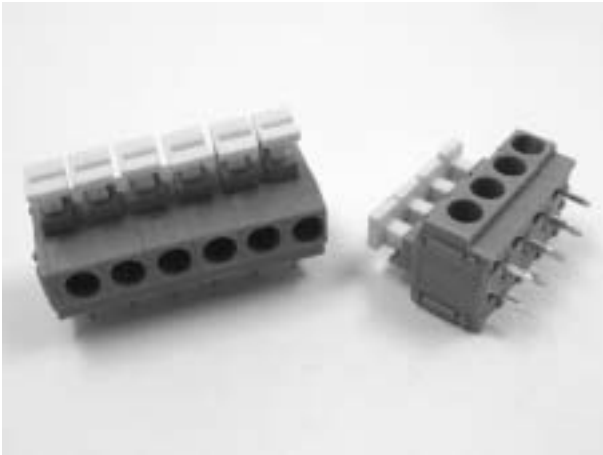
- Box

Note: Other pin number, 07 and 09 to 24, can be delivered but they are not kept in stock and are subject to MOQ

Order Code	Pins	AWG	Approval Certification
691 414 720 002	2	See Mechanical characteristics	Under Processing
691 414 720 003	3		
691 414 720 004	4		
691 414 720 005	5		
691 414 720 006	6		
691 414 720 008	8		

EXTENDED
RANGE

Serie 411 - 5.00mm Screwless Horizontal Entry - 2.0mm² Wires WR-TBL



MATERIAL

- Insulator material: PA 66
- Flammability rating: UL94-V0
- Colour: Grey/White
- Metal housing: Brass (CuZn)
- Wire guard: Stainless steel
- Surface of solder tail plating: Tin

ENVIRONMENTAL

- Operating temperature: -40 °C up to 105 °C
- Compliance: Lead free & RoHS
- Safety approval: See table

SOLDERING

- Solder temperature: JEDEC lead free wave soldering

ELECTRICAL

- Current rating: 10A
- Working voltage: 300Vac
- Withstanding voltage: 1.6kV
- Contact resistance: 20 mOhm max

MECHANICAL



- Solid wire: 14 - 20AWG / 0.5 - 2.0mm²
- Stranded wire: 14 - 20AWG / 0.5 - 2.0mm²

- Wire strip length: 6 - 7mm
- Pitch: 5.0mm

PACKAGING

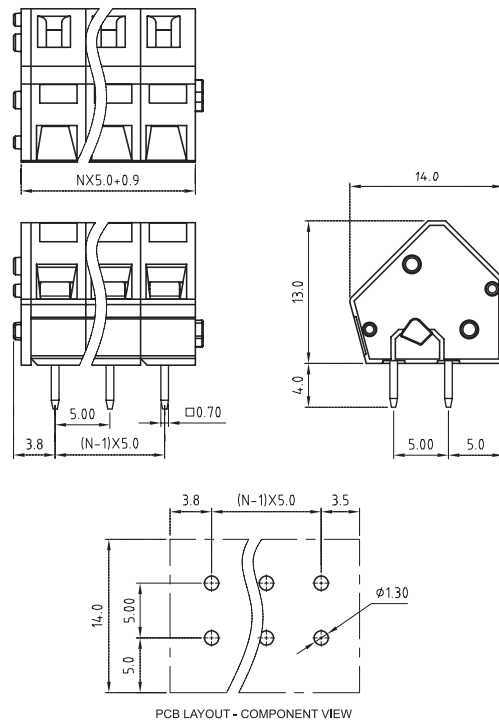
- Box

xx = 02 to 24pin

Order Code	Pins	AWG	Approval Certification
691 411 710 0 xx	2 to 24	See Mechanical characteristics	 

NEW

Serie 4137- 5.00mm Screwless 45° Entry - 3.0mm² Wires WR-TBL



MATERIAL

- Insulator material: PA 66
- Flammability rating: UL94-V0
- Colour: Grey
- Wire guard: Stainless steel
- Metal housing: Brass
- Surface of solder tail plating: Tin

ENVIRONMENTAL

- Operating temperature: -40 °C up to 105 °C
- Compliance: Lead free & RoHS
- Safety approval: See table

SOLDERING

- Solder temperature: JEDEC lead free wave soldering

ELECTRICAL

- Current rating: 15A
- Working voltage: 300Vac
- Withstanding voltage: 1.6kV
- Contact resistance: 20 mOhm max

MECHANICAL

- Solid wire: 28 - 12AWG / 0.08 - 3.0mm²
- Stranded wire: 28 - 12AWG / 0.08 - 3.0mm²
- Wire strip length: 6 - 7mm
- Pitch: 5.00mm

PACKAGING

- Box

xx = 02 to 24pin

Order Code	Pins	AWG	Approval Certification
691 413 720 0 xx	2 to 24	See Mechanical characteristics	Under Processing

NEW

Design Kit WR-TBL



Order Code 691 001

Design Kit WR-TBL

All the parts of the assortment are detailed below

P/N in the Kit	Pins	Pitch	Description
691 101 710 0xx	2 & 3	5.0mm	Horizontal Entry With Pressure Clamp - 2.5mm ² Wires
691 102 710 0xx	2 & 3	5.0mm	Horizontal Entry With Pressure Clamp - 1.5mm ² Wires
691 111 710 0xx	2 & 3	5.0mm	Horizontal Entry With Pressure Clamp - 2.5mm ² Wires
691 121 710 0xx	4 & 6	5.0mm	Horizontal Entry With Pressure Clamp - 4.0mm ² Wires
691 201 720 0xx	2 & 3	5.0mm	45° Entry With Rising Cage Clamp - 2.5mm ² Wires
691 211 720 0xx	2 & 3	5.0mm	45° Entry With Rising Cage Clamp 15.5mm Height - 2.5mm ² Wires
691 212 710 0xx	2 & 3	5.0mm	45° Entry With Rising Cage Clamp 14.3mm Height - 2.5mm ² Wires
691 213 710 0xx	2 & 3	5.0mm	Horizontal Entry With Rising Cage Clamp 10.0mm Height - 1.5mm ² Wires
691 301 710 0xx	2 & 3	5.0mm	Plug Horizontal Entry With Pressure Clamp - 1.5mm ² Wires
691 300 700 024	24	5.0mm	Pin Header
691 351 500 0xx	2-3-4-5-6-8	5.08mm	Plug Vertical Cable Entry With Screw - 2.5mm ² Wires
691 353 500 0xx	2-3-4-5-6-8	5.08mm	Plug Vertical Cable Entry With Screwless - 2.5mm ² Wires
691 352 510 0xx	2-3-4-5-6-8	5.08mm	Plug Horizontal Front Cable Entry With Screw - 2.5mm ² Wires
691 311 500 0xx	2-3-4-5-6-8	5.08mm	PCB Header Vertical Opened Ends
691 312 510 0xx	2-3-4-5-6-8	5.08mm	PCB Header Horizontal Opened Ends
691 313 510 0xx	2-3-4-5-6-8	5.08mm	PCB Header Horizontal Closed Ends
691 361 300 0xx	2-3-4-5-6-8	3.81mm	Plug Vertical Cable Entry With Screw - 1.5mm ² Wires
691 321 300 0xx	2-3-4-5-6-8	3.81mm	PCB Header Vertical Closed Ends
691 322 310 0xx	2-3-4-5-6-8	3.81mm	PCB Header Horizontal Closed Ends
691 401 710 0xx	4-6-8	5.00mm	Spring Clamp Screwless Horizontal Entry - 1.5mm ² Wires
691 401 700 0xx	4-6-8	5.00mm	Spring Clamp Screwless Vertical Entry - 1.5mm ² Wires
691 411 710 0xx	4-6-8	5.00mm	Spring Clamp Screwless Horizontal Entry - 2.0mm ² Wires
691 412 120 0xx	4-6-8	5.00mm	Spring Clamp Screwless 45° Entry - 0.75mm ² Wires

X-ON Electronics

Largest Supplier of Electrical and Electronic Components

Click to view similar products for [wurth manufacturer](#):

Other Similar products are found below :

[687001](#) [744741101](#) [750314624](#) [750341638](#) [31402](#) [61801525023](#) [686626050001](#) [744741471](#) [744772681](#) [744777](#) [749119950](#) [750312504](#)
[890334025009](#) [IC-744885](#) [875115350002](#) [600690282801](#) [178050601](#) [615008138221](#) [750311898](#) [744999](#) [7446823003](#) [7446323004](#) [744028](#)
[66201621822](#) [7446221012](#) [744720](#) [760895431](#) [760895651](#) [662006236022](#) [64900621822](#) [418117270910](#) [890334026014](#) [744839208072](#)
[744762A/RFI](#) [74651174R](#) [744838180160](#) [885300](#) [750310346](#) [861011384014](#) [750817018](#) [33008](#) [3020903](#) [885342](#) [2603019321001](#)
[2603019021001](#) [2606039021001](#) [2608019324001](#) [2607019213001](#) [2605039241001](#) [2605049281001](#)