

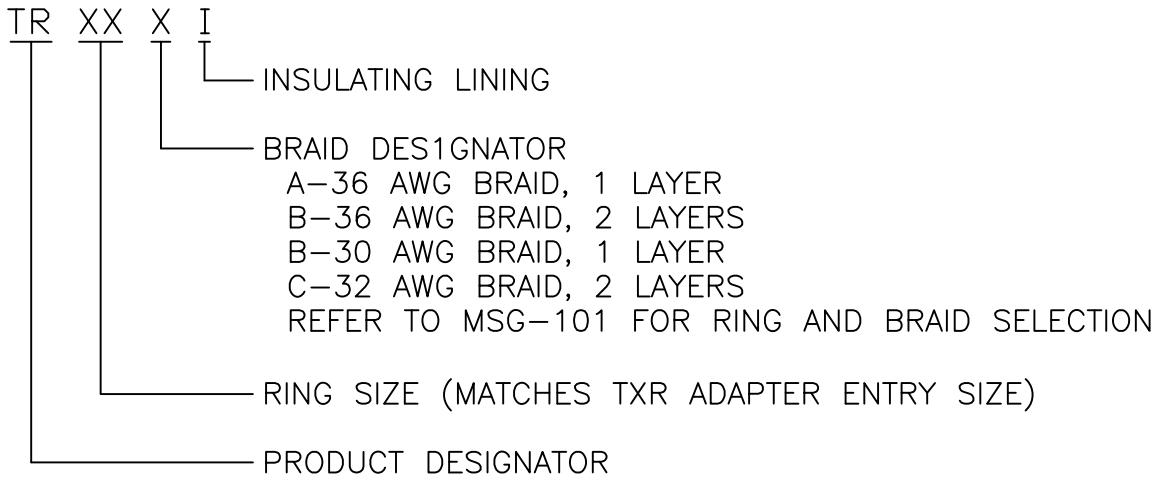
TE CONNECTIVITY (TE) RESERVES THE RIGHT TO CHANGE THIS DRAWING AT ANYTIME. USERS SHOULD EVALUATE THE SUITABILITY OF THE PRODUCT FOR THEIR APPLICATION.

REVISIONS			
LTR	DESCRIPTION	DATE	APPROVED
D	REVISED PER ECO-12-021589	12/11/2012	G.WELLS
E	REVISED PER ECO-15-018009	12/11/2015	I.MYONG

SCOPE:

THIS SPECIFICATION PROVIDES A DESCRIPTION OF HEAT-TO-RECOVER METAL RINGS FOR TERMINATING BRAIDED SHIELD ONTO ADAPTORS DESIGNED FOR THAT PURPOSE.

PART DESCRIPTION:


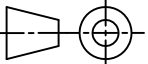


NOTES: UNLESS OTHERWISE SPECIFIED.

- 1. MATERIAL: NICKEL/TITANIUM HEAT-TO-RECOVER SHAP MEMORY ALLOY.
- 2. THE OUTSIDE SURFACE OF THE RING IS MARKED WITH TWO STRIPES OF THERMOCHROMIC PAINT WHICH CHANGE COLOR WHEN THE APPROPRIATE INSTALLATION TEMPERATURE IS REACHED.
- 3. "AI" RINGS ARE IDENTIFIED BY THE ABSENCE OF A RED OR BLUE DOT. REFER TO NOTE 4 BELOW.
- 4. "BI" RINGS ARE MARKED WITH A RED DOT. "CI" RINGS ARE MARKED WITH A BLUE DOT.
- 5. REFER TO MIP-101 FOR INSTALLATION PROCEDURE AND PERFORMANCE REQUIREMENT.
- 6. AVERAGE OF MEASUREMENTS TAKEN AT 3 POINTS, EQUALLY SPACED ON WELD AND OFF WELD.
- 7. SHAPE OF THE RING TO BE MOSTLY CIRCULAR. CERTAIN SIZES (LARGER) MAY HAVE MULTIPLE SIDES.

© 2015 TE CONNECTIVITY LTD. FAMILY OF COMPANIES. ALL RIGHTS RESERVED  
 TE CONNECTIVITY AND TE CONNECTIVITY (LOGO) ARE TRADEMARKS.  
 OTHER LOGOS PRODUCT AND/OR COMPANY NAMES MAY BE TRADEMARKS OF THEIR RESPECTIVE OWNERS.

Raychem Adapters  
 CUSTOMER DRAWING

UNLESS OTHERWISE SPECIFIED DIMENSIONS ARE NOT APPLIED.	DRAWN E. GOLDY	DATE 05-17-93			TE Connectivity	
	REDRAWN T. NGUYEN	DATE 05-17-93				
DECIMAL TOLERANCES .XXX ± -- [ mm ] .XX ± -- [ mm ] .X ± -- [ mm ]	APPROVED I. MYONG	DATE 12-08-15	TITLE TINEL-LOCK RING			
	CAD FILE: TR.dwg					
ANGLE TOLERANCE .X ± --	THIRD ANGLE PROJECTION		SIZE A	CAGE CODE: 06090	DWG. NO. TR	REV: E
			SCALE: NONE		SHEET 1 OF 2	

PART DESCRIPTION	$\phi A$		$\phi D$
	MIN AS SUPPLIED	MAX FREE RECOVERED	
TR04AI	.397 [10.08]	.379 [9.63]	.073±.005 [1.85±.13]
TR04BI	.416 [10.57]	.398 [10.11]	.073±.005 [1.85±.13]
TR05AI	.460 [11.68]	.440 [11.18]	.073±.005 [1.85±.13]
TR05BI	.479 [12.17]	.458 [11.63]	.073±.005 [1.85±.13]
TR06AI	.523 [13.28]	.499 [12.68]	.073±.005 [1.85±.13]
TR06BI	.548 [13.92]	.523 [13.28]	.073±.005 [1.85±.13]
TR07AI	.586 [14.88]	.559 [14.20]	.073±.005 [1.85±.13]
TR07BI	.606 [15.39]	.578 [14.68]	.073±.005 [1.85±.13]
TR08AI	.650 [16.51]	.620 [15.75]	.073±.005 [1.85±.13]
TR08BI	.670 [17.02]	.639 [16.23]	.073±.005 [1.85±.13]
TR10AI	.782 [19.86]	.744 [18.90]	.073±.005 [1.85±.13]
TR10BI	.802 [20.37]	.763 [19.38]	.073±.005 [1.85±.13]
TR10CI	.830 [21.08]	.791 [20.09]	.073±.005 [1.85±.13]
TR12AI	.912 [23.17]	.867 [22.02]	.073±.005 [1.85±.13]
TR12BI	.931 [23.65]	.886 [22.50]	.073±.005 [1.85±.13]
TR12CI	.960 [24.38]	.912 [23.17]	.073±.005 [1.85±.13]
TR14AI	1.040 [26.42]	.988 [25.10]	.073±.005 [1.85±.13]
TR14BI	1.060 [26.92]	1.007 [25.58]	.073±.005 [1.85±.13]
TR14CI	1.089 [27.66]	1.033 [26.24]	.073±.005 [1.85±.13]
TR16AI	1.171 [29.74]	1.111 [28.22]	.073±.005 [1.85±.13]
TR16BI	1.191 [30.25]	1.129 [28.68]	.073±.005 [1.85±.13]
TR16CI	1.216 [30.89]	1.154 [29.31]	.073±.005 [1.85±.13]
TR18AI	1.301 [33.05]	1.234 [31.34]	.073±.005 [1.85±.13]
TR18BI	1.320 [33.53]	1.252 [31.80]	.073±.005 [1.85±.13]
TR20AI	1.430 [36.32]	1.357 [34.47]	.073±.005 [1.85±.13]
TR20BI	1.450 [36.83]	1.376 [34.95]	.073±.005 [1.85±.13]
TR22AI	1.543 [39.19]	1.463 [37.16]	.084±.005 [2.13±.13]
TR22BI	1.561 [39.65]	1.481 [37.62]	.084±.005 [2.13±.13]
TR24AI	1.673 [42.49]	1.587 [40.31]	.084±.005 [2.13±.13]
TR24BI	1.691 [42.95]	1.605 [40.77]	.084±.005 [2.13±.18]
TR28AI	1.932 [49.07]	1.838 [46.68]	.084±.005 [2.13±.13]
TR28BI	1.950 [49.53]	1.858 [47.19]	.084±.005 [2.13±.13]

© 2015 TE CONNECTIVITY LTD. FAMILY OF COMPANIES. ALL RIGHTS RESERVED  
 TE CONNECTIVITY AND TE CONNECTIVITY (LOGO) ARE TRADEMARKS.  
 OTHER LOGOS PRODUCT AND/OR COMPANY NAMES MAY BE TRADEMARKS OF THEIR RESPECTIVE OWNERS.

Raychem Adapters  
 CUSTOMER DRAWING

REDRAWN T. NGUYEN	DATE 12-07-2015	SIZE A	CAGE CODE: 06090	DWG. NO. TR	REV: E
CAD FILE: TR-CD		SCALE: NONE			SHEET 2 OF 2

## X-ON Electronics

Largest Supplier of Electrical and Electronic Components

*Click to view similar products for [Circular MIL Spec Strain Reliefs & Adapters](#) category:*

*Click to view products by [TE Connectivity](#) manufacturer:*

Other Similar products are found below :

[896227-000](#) [899170S004](#) [6000-063-0022](#) [613751-000](#) [CS6624-000](#) [620AB038Z136](#) [620AS001Z108](#) [620AS038Z112](#) [620AS038Z120](#)  
[620AS038Z132](#) [620FB038NF08](#) [620HA038NF13](#) [620HA038NF25](#) [620HA042XM13](#) [620HB049NF17](#) [620HS011NF21](#) [620HS038NF11](#)  
[620HS038Z121](#) [620HS042XM19](#) [620HS042XM25](#) [620HS042XW13](#) [620HS048B17](#) [620MS064NF09](#) [620MS064NF12](#) [620MS065M12](#)  
[620MS065Z107](#) [620MS065ZNU06](#) [630J041M06H](#) [630J041M20H](#) [637S010NF0212H](#) [640830-000](#) [659943-000](#) [66241-10A](#) [CW0597-000](#)  
[CW0598-000](#) [CW0948-000](#) [CY0122-000](#) [M85049/41-6A W/B](#) [M85049/42-12DS](#) [M85049/47N8](#) [M85049/47W18](#) [M85049/51-1-14S](#)  
[M85049/51-1-8W](#) [M85049/51S16S](#) [M85049/60-1N16](#) [M85049/60-2G12W](#) [M85049/69-11N](#) [CZ3661-000](#) [D02922-000](#) [70.360.1628.0](#)