

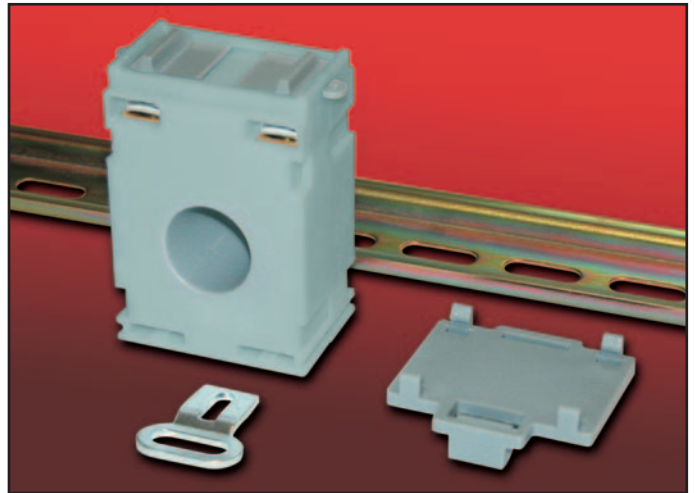
13 SERIES MOULDED CASE CURRENT TRANSFORMERS

DESCRIPTION

A range of compact low cost moulded case current transformers suitable for primary currents from 40A to 300A with built in sealable terminal covers.

APPLICATION

For transforming various primary currents into 5A or 1A standard secondary using up to 20mm diameter cables.



FEATURES

- DIN rail mounting clip supplied.
- Built in sealable terminal covers.
- Mounting feet supplied.
- Narrow width - 45mm.

TECHNICAL SPECIFICATION

- Conforms to IEC185, BS 7626, BSEN 60044-1 and IEC 60044-1.
- Rated system voltage 0.72/3kV.
- Ambient temperature range -30°C to 85°C.
- Continuous current 1.2 x rated current.



Built in sealable terminal covers

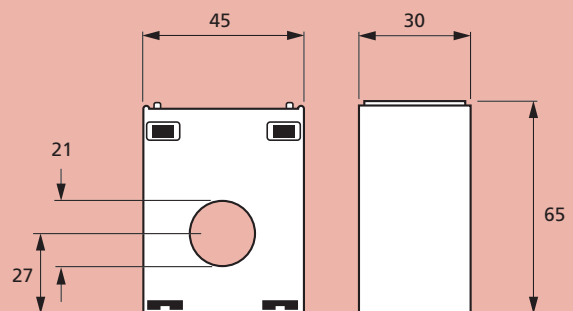
RANGE

VA	Class 3				Class 1				Class 0.5			
	1	1.5	2.5	5	1	1.5	2.5	5	1	1.5	2.5	5
40A	A1	-	-	-	-	-	-	-	-	-	-	-
50A	B1	B2	-	-	B5	-	-	-	-	-	-	-
60A	C1	C2	-	-	C5	C6	-	-	-	-	-	-
75A	D1	D2	D3	-	D5	D6	-	-	-	-	-	-
80A	E1	E2	E3	-	E5	E6	-	-	-	-	-	-
100A	F1	F2	F3	-	F5	F6	F7	-	F9	F10	-	-
120A	G1	G2	G3	-	G5	G6	G7	-	G9	G10	G11	-
150A	H1	H2	H3	H4	H5	H6	H7	-	H9	H10	H11	-
200A	J1	J2	J3	J4	J5	J6	J7	J8	J9	J10	J11	-
250A	K1	K2	K3	K4	K5	K6	K7	K8	K9	K10	K11	K12
300A	L1	L2	L3	L4	L5	L6	L7	L8	L9	L10	L11	L12

1A secondary available by request.

Order Example: A moulded case current transformer type 13, with 5A secondary and 200A primary 2.5VA class 1 is part number 13-5-J7

DIMENSIONS (mm)



Our policy is one of continuous development and therefore specifications may change without notice.

HOWARD BUTLER LTD

CROWN WORKS, LINCOLN ROAD
WALSALL WS1 2EB ENGLAND

Tel: 01922 640003 Fax: 01922 723626

International Tel: +44 1922 640003 E-mail: sales@hobut.co.uk

<http://www.hobut.co.uk>

X-ON Electronics

Largest Supplier of Electrical and Electronic Components

Click to view similar products for [hobut](#) manufacturer:

Other Similar products are found below :

[PD72MIS500V/2/938-658](#) [M850-LTHN-RS-PO](#) [D48A25](#) [SHB60A60-CLASS 1](#) [CT105F-200/5-2.5/1](#) [CT132TRAN10A-5/10V](#) [CT105F-150/5-2.5/1](#) [D72M50](#) [CT105F-100/5-2.5/1](#) [CT160-5-H7](#) [F3PAM602-15V](#) [CT132TRAN20A-4/20MA](#) [D72D60ADC](#) [F3PAM602-10A](#)
[F3PAM602-20A](#) [F3PAM602-5A](#)