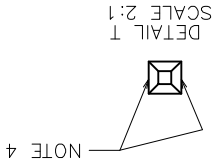
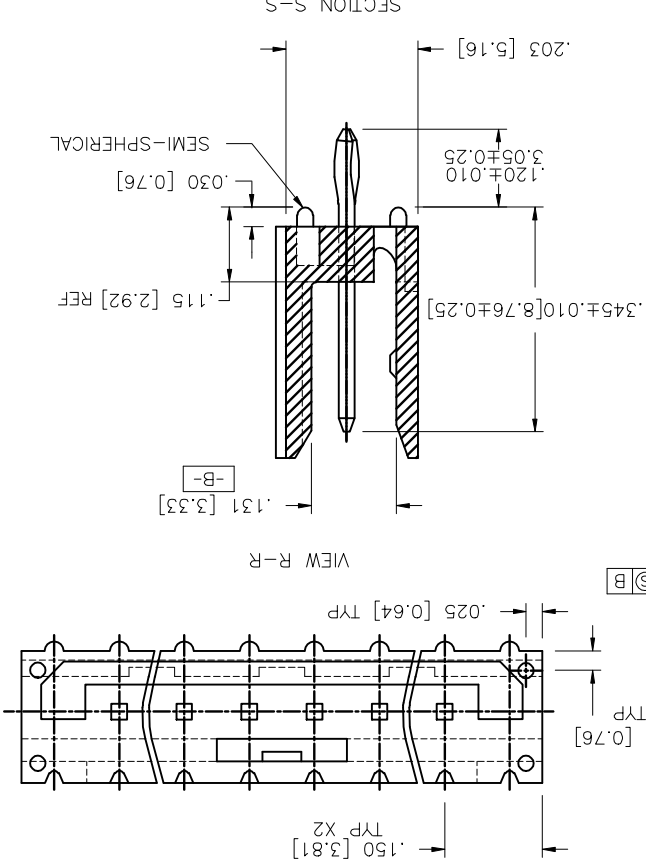
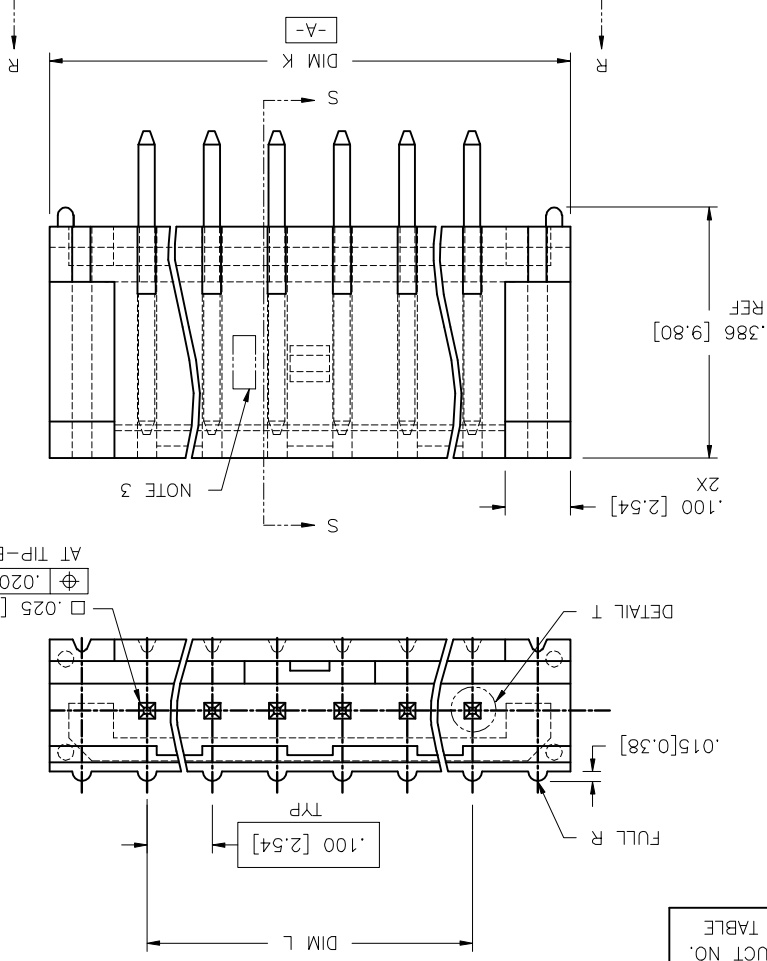


PRODUCT NO.
SEE TABLE.



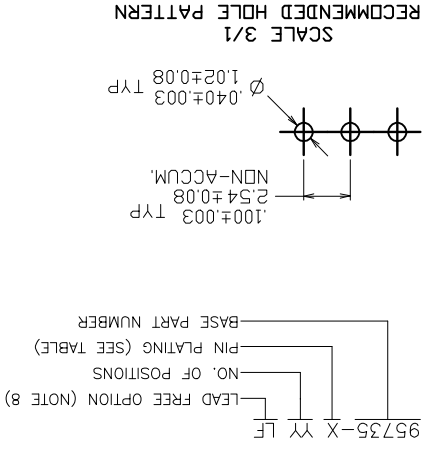
mat'l. code	ISO 1002	ISO 1007	ISO 1001	projection	CLINGER	product family	CLINGER
ltf	ecn no	df	date	tolerances unless otherwise specified	linear	angles	linear
C	V60842	EPR	6/3/96	XXXX.006/XXXX.013	XXXX.006/XXXX.013	0±.2	XXXX.002/XXXX.015
D	V71289	HTB	9/22/97	XXXX.006/XXXX.013	XXXX.006/XXXX.013	0±.2	XXXX.002/XXXX.015
E	M05-0109	MHT	7/15/05	XXXX.002/XXXX.015	XXXX.002/XXXX.015	0±.2	XXXX.002/XXXX.015
F	M06-0052	MHT	1/30/06	XXXX.002/XXXX.015	XXXX.002/XXXX.015	0±.2	XXXX.002/XXXX.015
G	M06-0233	AGS	6/13/06	XXXX.002/XXXX.015	XXXX.002/XXXX.015	0±.2	XXXX.002/XXXX.015
H	M08-0304	MHT	10/16/08	XXXX.002/XXXX.015	XXXX.002/XXXX.015	0±.2	XXXX.002/XXXX.015
J	M09-0079	MHT	5/22/09	XXXX.002/XXXX.015	XXXX.002/XXXX.015	0±.2	XXXX.002/XXXX.015
revision	J	J	appd	T.HANNA	2/17/05		
sheet	1	2					
index							

type	Product Customer Drawing
dwg no	95735
sheet 1 of 2 size	A3
title	CLINGER™ LATCH HEADER
product family	CLINGER
projection	4:1
scale	INCH/MM
vertical SELF-RETAINING	

PRODUCT NUMBER	NO. OF POSITIONS	ENGLISH METRIC	DIM K	DIM L	DIM L	DIM L	RETENTION
95735-X02	1 X 2	0.400	10.16	0.100	2.54	NOTE 5	
95735-X03	1 X 3	0.500	12.70	0.200	5.08	NOTE 6	
95735-X04	1 X 4	0.600	15.24	0.300	7.62	NOTE 7	
95735-X05	1 X 5	0.700	17.78	0.400	10.16		
95735-X06	1 X 6	0.800	20.32	0.500	12.70		
95735-X07	1 X 7	0.900	22.86	0.600	15.24		
95735-X08	1 X 8	1.000	25.40	0.700	17.78		
95735-X09	1 X 9	1.100	27.94	0.800	20.32		
95735-X10	1 X 10	1.200	30.48	0.900	22.86		
95735-X11	1 X 11	1.300	33.02	1.000	25.40		
95735-X12	1 X 12	1.400	35.56	1.100	27.94		
95735-X13	1 X 13	1.500	38.10	1.200	30.48		
95735-X14	1 X 14	1.600	40.64	1.300	33.02		
95735-X15	1 X 15	1.700	43.18	1.400	35.56		
95735-X16	1 X 16	1.800	45.72	1.500	38.10	NOTE 7	

NOTES:

- ① MOLDING MATERIAL: HIGH TEMPERATURE PLASTIC
- ② FLAME RETARDENT PER UL-94V-0. COLOR: NATURAL
- ③ PIN MATERIAL: 3/4 HD PHOS. BRONZE
- ④ LOGO TO BE LOCATED APPROX. AS SHOWN.
- ⑤ TWO NON-CRITICAL SIDES OF PIN TIP NOT PLATED.
- ⑥ BOTH ENDS.
- ⑦ RETENTION LEGS POS. 1 & 2 RETENTION FEATURE
- ⑧ ROTATED 90° FROM THAT SHOWN.
- ⑨ RETENTION LEGS POS. 1 & 3 RETENTION FEATURE
- ⑩ ROTATED 90° FROM THAT SHOWN.
- ⑪ RETENTION LEGS POS. 1 & 2 RETENTION FEATURE
- ⑫ FOR LEAD FREE OPTION ADD "LF" IN THE END OF THE EXISTING PART NUMBERS.
- ⑬ IF "LF" P/N THE PRODUCT MEETS EUROPEAN UNION DIRECTIVES AND OTHER COUNTRY REGULATION AS DESCRIBED IN GS-22-008.
- ⑭ THE HOUSING WILL WITHSTAND EXPOSURE TO 260°C PEAK TEMPERATURE FOR 20-30 SECONDS IN A CONVECTION, INFRA-RED OR VAPOR PHASE REFLOW OVEN. SEE APPLICATION NOTES/PROCEDURES IF THEY ARE AVAILABLE
- ⑮ PLATING OPTIONS:
MAYBE EITHER GOLD OR GXT PLATED AT MANUFACTURER CHOICE



DASH NO	OVERPLATING		UNDERPLATING
	-1YY	-1YYLF	
	30u" / .76u MIN Au OR GXT	100u" / 2.54u MIN PURE TIN	
	-4YY	-4YYLF	

mat'l code	surface	ISO 1302	ISO 1071	tolerance	ISO 1406	projection	product family	CLINGER
ltf	ecn no	dr	date	references unless otherwise specified	XXXXX/XXXX	INCH/MM	title	CLINGER™ LATCH HEADER
J	angles	linear	0°±2'	XXXXX.000/XXXXX.013	XXXXX.000/XXXXX.013	scale	4:1	VERTICAL SELF-RETAINING
dr	T.BREWBAKER	5/23/95				dwg no	95735	sheet 2 of 2 size
enr	T.HANNA	2/17/05				type	Product Customer Drawing	
ctr	T.HANNA	2/17/05				revision		
appd	T.HANNA	2/17/05				sheet		

X-ON Electronics

Largest Supplier of Electrical and Electronic Components

Click to view similar products for [Headers & Wire Housings](#) category:

Click to view products by [FCT Electronics](#) manufacturer:

Other Similar products are found below :

[95000-104TRLF](#) [10135584-644402LF](#) [DF62W-EP2022PCA](#) [95000-106TRLF](#) [DF62W-2022SCA](#) [DF62W-EP2022PC](#) [2203348](#) [DF62W-2022SC](#) [1084018](#) [1029039](#) [1084017](#) [802-10-012-10-002000](#) [1112640](#) [1112639](#) [891-007-9SS-BST1T](#) [000-34000](#) [0008550134](#) [0009482033](#) [0009507031](#) [57102-F02-18ULF](#) [57102-S06-03LF](#) [57202-S52-04LF](#) [PCN6-15S-2.5E](#) [0039019024](#) [58102-G61-06LF](#) [582553-1](#) [0009485154](#) [0009508121](#) [0022285053](#) [0050291907](#) [018731A](#) [LY20-4P-DT1-P1E-BR](#) [02.125.8002.8](#) [60101931](#) [60598-1 \(Cut Strip\)](#) [M1625-3R/100](#) [61062-3](#) [61082-181009](#) [CSU011177004](#) [636-1427](#) [638009-1](#) [641938-9](#) [641991-4](#) [644168-1](#) [644827-2](#) [647662-1](#) [65039-019ELF](#) [65692-001LF](#) [65781-018](#) [65781-047](#)