

FREQUENCIES AVAILABLE	MODEL	OVERALL STABILITY	OPTIONS	
40kHz~150MHz	1211A	± 25PPM	S	0°C to + 70°C
	1211B	± 50PPM	I	-40°C to +105°C
	1211C	±100PPM	M	-55°C to +125°C

**Note 1** Stability options are inclusive of: Calibration Tolerance at 25°C, Operating Temperature Range, Supply Voltage Change, Load Change, Ageing, Shock & Vibration.

Parameter	Code	Value	Unit	Remarks
Storage Temperature Range	Tstg	-65 to +125	°C	
Operating Temperature Range	Top	0 to +70	°C	See Options
Input Voltage	V <sub>cc</sub>	+5	V DC	±10%
Max Input Current	ICC	20	mA Max	500 kHz to 20MHz
		40		20.1MHz to 70MHz
		60		70.1MHz to 150MHz
Duty Ratio	SY	45:55	%	At 50% V <sub>DD</sub>
"0" Level	V <sub>OL</sub>	0.5	V DC	Max
"1" Level	V <sub>OH</sub>	4.5	V DC	Min
Max Rise/Fall Time	Tr:Tf	10	nS Max	500 kHz to 20MHz
		6		20.1MHz to 70MHz
		4		70.1MHz to 150MHz
Start-Up Time	TSTART	5	mS	
		15pF Min		HCmos
		1-10 TTL		TTL

#### MECHANICAL

**Drop Test** - Drop Module onto a hard wooden surface from 20cm 3 times

**Shock Test** - 1500g (Peak) 0.35mS (1/2Sine Wave) 5 Times

**Vibration Test** - Vibrations with an amplitude of 3mm and a sweep from 10-55 Hz duration 1 minute shall be applied for 2 hours in each of the x,y, & z axes

#### ENVIRONMENTAL

**Solder Heat** - Immerse pins to within 1mm of glass stand-offs in solder bath of 280°C ±10°C for 10 secs

**Life Test** - After exposure to +125°C (Power Applied) for 1000 Hrs

**Cold Resistance** - After exposure to -40°C for 2 hrs

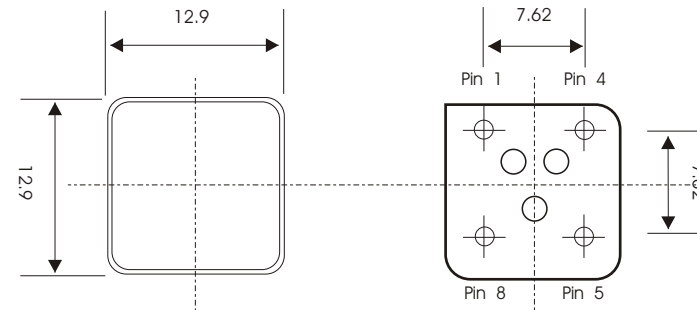
**Humidity** - After exposure to +40°C 90-95% RH for 48 Hrs

**Thermal Shock** - After 10 cycles of exposure to -55°C & 125°C with 10mins exposure at each extreme

**Fine Leak** - Helium leak detector, pressure 5kg.f/cm<sup>3</sup> for 2 Hrs, leakage less than  $1 \times 10^{-8}$  Atm.cc/Sec

**TITLE:** Crystal Oscillator 8-Pin DIL UNIVERSAL O/P With Tri-State(Hcmos & TTL) 40kHz to 150MHz

AEL PART N°	General Specification	Issue Number	Issue Date	Approved
		5	25.04.00	GR



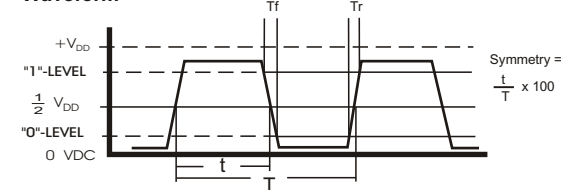
#### Pin Connections

Pin 1 = Enable/Disable  
Pin 4 = Ground  
Pin 5 = Output  
Pin 8 = +V DC

#### Enable/Disable Function

INH (Pin 1)	OUTPUT (Pin 5)
Open	Active
"1" (V <sub>IH</sub> ≥ 2.2V)	Active
"0" (V <sub>IL</sub> ≤ 0.8V)	High Z

#### Waveform



#### Ordering Code

AEL 1211CS (±100PPM over 0°C to +70°C)



Module 'D' Airtech 2  
Jenner Road, Crawley  
W. Sussex. RH10 2GA

Tel: 0 1293 524245  
Fax: 01293 524888

© Not to be reproduced without permission of AEL Crystals Ltd

## X-ON Electronics

Largest Supplier of Electrical and Electronic Components

*Click to view similar products for [ael manufacturer](#):*

Other Similar products are found below :

[O16M000000L021](#) [X9M830400L035](#) [O25M000000L684](#) [O100M000000L010](#) [O16M000000L682](#) [O64M000000L153](#) [O20M000000L046](#)  
[O25M000000L063](#) [X14M000000L001](#) [X32K768L102](#) [O25M000000L059](#) [X5M000000L001](#) [X9M830400L152](#) [X4M194304L056](#)  
[X50M000000L001](#) [X12M000000L188](#) [O3M686400L120](#) [X4M608000L075](#) [O32M000000L097](#) [O40M000000L125](#) [O40M000000L126](#)  
[O4M000000L638](#) [X15M000000L002](#) [O4M000000L134](#) [O20M000000L676](#) [O8M000000L166](#) [X307K200L001](#) [X40M000000L104](#)  
[O8M000000L642](#) [E3SB16.0000F09G11AE](#) [C8M000000L004](#) [X32K768S021](#) [X1M843200L010](#) [C4M000000L001](#) [X19M660800L307](#)  
[X20M000000L010](#) [X32K768S019](#) [X7M372800L027](#) [O10M000000S023](#) [X32K768L009](#) [C8M000000S014](#) [C16M000000L003](#)  
[X32K768L104](#)