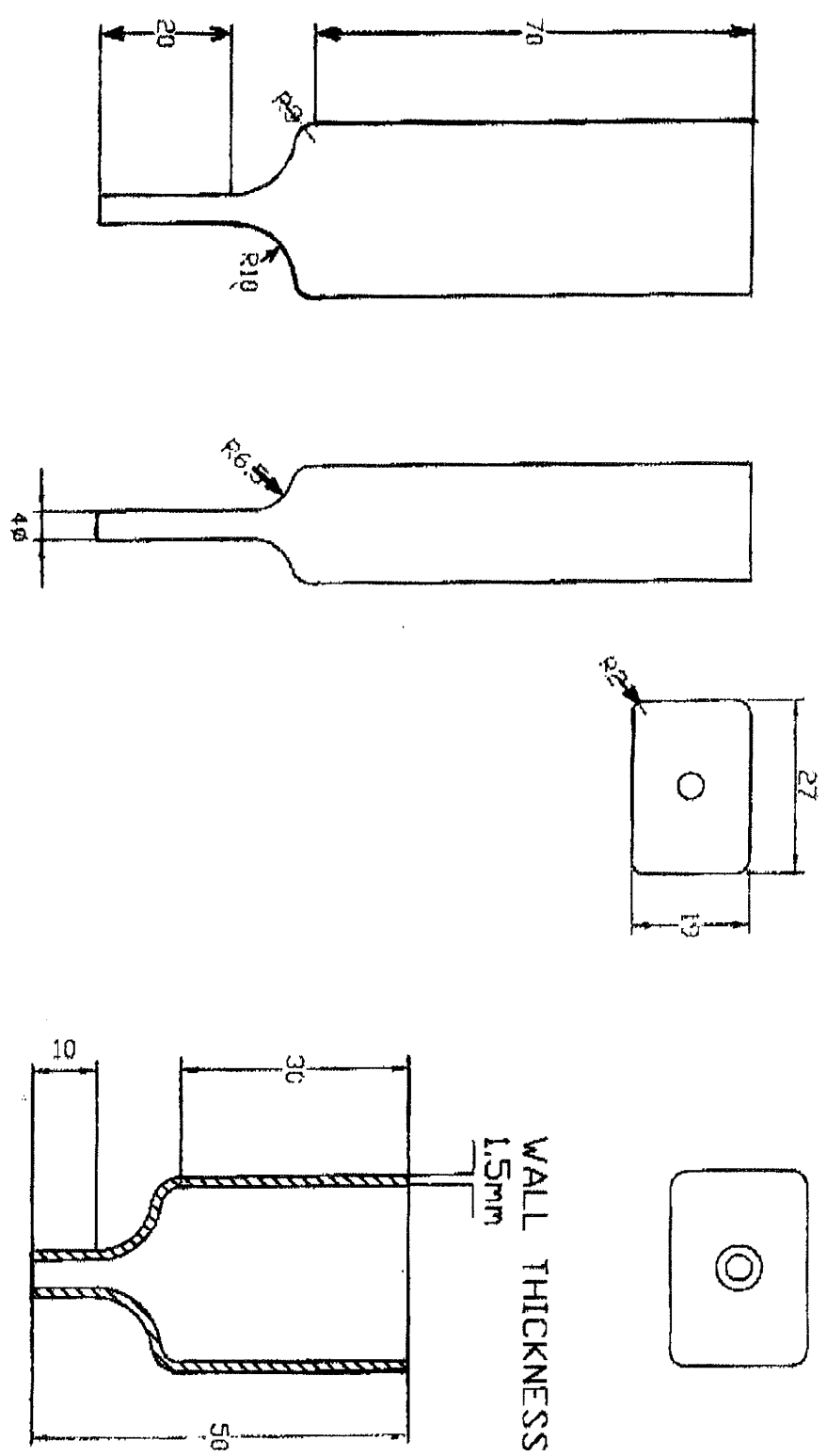


313 798 = DIP-IECS-BK.

MH CONNECTORS ORDER CODE  
P/No. DIP-IECS-BK

TOOL,  
CAST ALUMINIUM



WALL THICKNESS AT DIP LINE  
1.5mm

NOTE: DIM 50 WAS 55



TITLE  
BOOT  
60 SHORE FR  
BLACK

TOOL  
Linear  $\pm 0.25$   
Diameter  $\pm 0.2$   
Concentricity  $\pm 0.2$   
Angular  $\pm 0.5$  Degrees  
REMOVE ALL BURRS & SHARP CORNERS TO  
MIN 1.0 45 DEGREES  
MIN 2.0 RADII

General tolerance unless otherwise stated

MOULDING  
WALL THICKNESS - 0.5 + 1.0  
AT DIP LINE  
DIPPED LENGTH + 0.5 - 1.5  
TRIMMED LENGTH - 0.5 + 1.5

PRDD ISS 1 DC09/10/97  
DESIGNATION  
APPROVED

MH CONNECTORS ORDER CODE  
DIP-IECS-BK

## **X-ON Electronics**

Largest Supplier of Electrical and Electronic Components

*Click to view similar products for [mckee hagborg](#) manufacturer:*

Other Similar products are found below :

[DIP-IMI3A-BK](#) [DIP-IEC6L-BK](#)