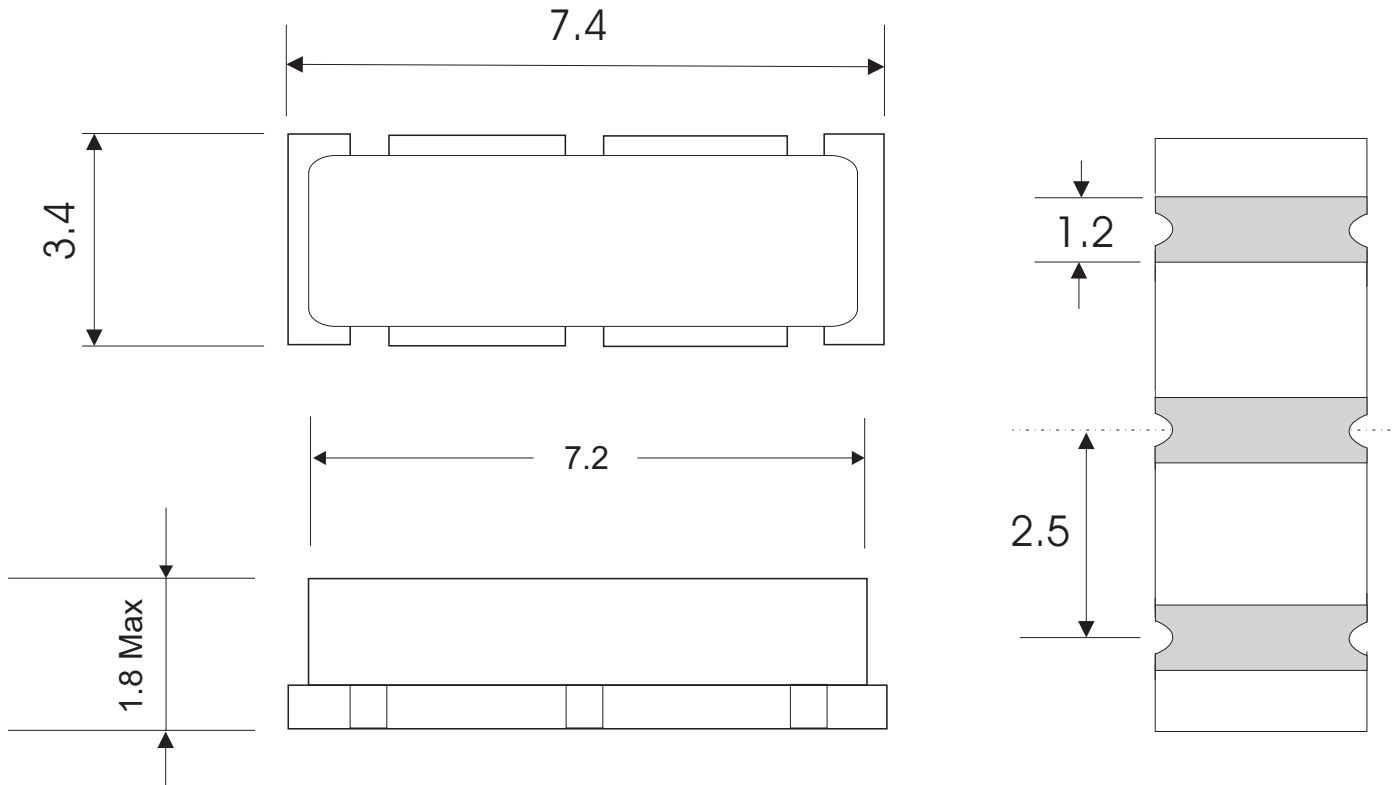
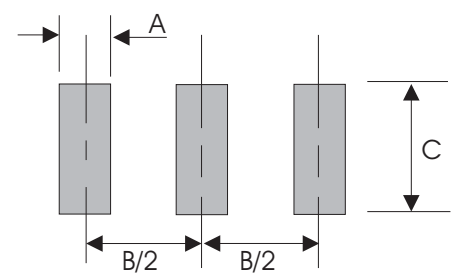


All Dimensions in mm



Product Type		ZTCC		<p>Recommended Land Dimensions</p>  <table border="1" data-bbox="1039 1648 1331 1806"> <tr> <td>A - 1.4 to 2.0</td> </tr> <tr> <td>B - 5.0</td> </tr> <tr> <td>C - 3.7 to 4.3</td> </tr> </table>		A - 1.4 to 2.0	B - 5.0	C - 3.7 to 4.3
A - 1.4 to 2.0								
B - 5.0								
C - 3.7 to 4.3								
Frequency		2.000 ~ 8.000 MHz						
Frequency Accuracy		+/- 0.5% @ 25Deg C						
Temperature Stability		+/- 0.3%						
Temperature Range		-20 to +80 Deg C						
Aging over 10 Years		+/- 0.3%						
Amdt	Change Note	Date	Originator	Issue No 1	AEL Crystals Ltd Specification No ZTCC Series			
		18.06.2002	SDM					
				Dated 18.06.2002				

X-ON Electronics

Largest Supplier of Electrical and Electronic Components

Click to view similar products for [ael manufacturer](#):

Other Similar products are found below :

[O16M000000L021](#) [X9M830400L035](#) [O1M000000L002](#) [O10M000000L004](#) [O25M000000L684](#) [O100M000000L010](#) [O16M000000L682](#)
[O64M000000L153](#) [O20M000000L046](#) [O25M000000L063](#) [X14M000000L001](#) [X32K768L102](#) [O25M000000L059](#) [X5M000000L001](#)
[X9M830400L152](#) [X4M194304L056](#) [X50M000000L001](#) [X12M000000L188](#) [O3M686400L120](#) [X4M608000L075](#) [O32M000000L097](#)
[O40M000000L125](#) [O40M000000L126](#) [O4M000000L638](#) [X15M000000L002](#) [O4M000000L134](#) [O20M000000L676](#) [O8M000000L166](#)
[X307K200L001](#) [X32K768S113](#) [X40M000000L104](#) [O8M000000L642](#) [E3SB16.0000F09G11AE](#) [C8M000000L004](#) [X32K768S021](#)
[C12M000000S004](#) [X1M843200L010](#) [C4M000000L001](#) [X19M660800L307](#) [X20M000000L010](#) [X7M372800L027](#) [O10M000000S023](#)
[X32K768L009](#) [X32K768S019](#) [C8M000000S014](#) [C16M000000L003](#) [X32K768L104](#)