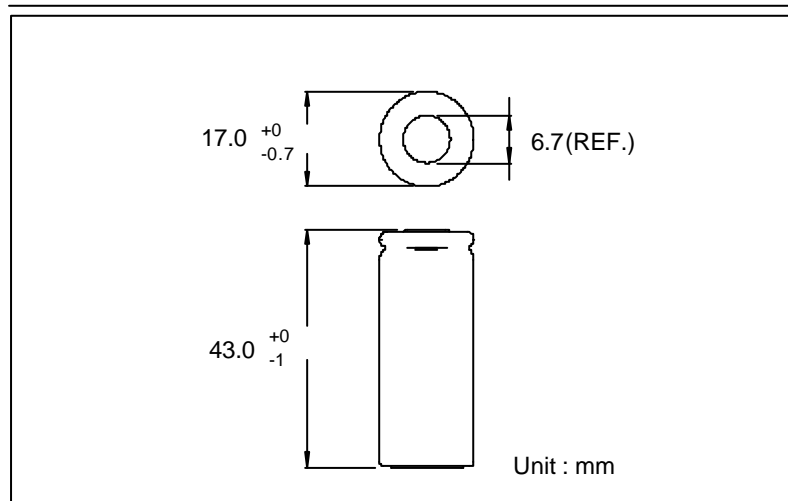


GP Batteries

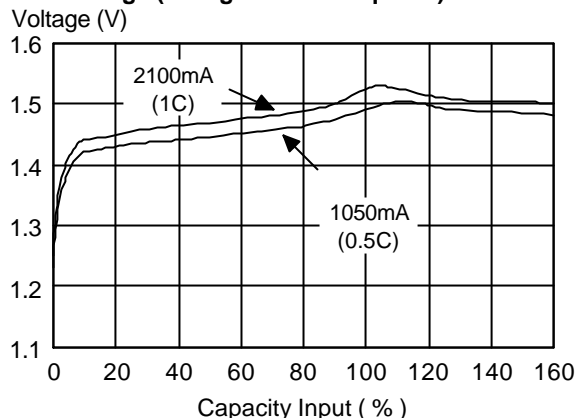
Data Sheet

Model No.: GP211AFH

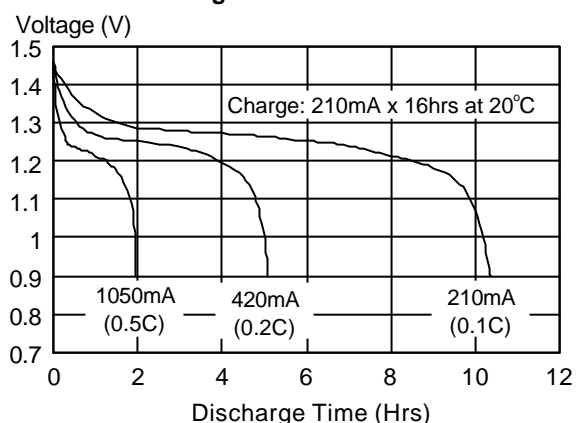
Type	Rechargeable Nickel Metal Hydride Cylindrical Cell	
Nominal Dimension (with Sleeve)	$\Phi = 17.0\text{mm}$	H = 43.0mm
Applications	Recommended discharge current 210 to 6300mA	
Nominal Voltage	1.2V	
Capacity	Minimum: 2100mAh Typical: 2160mAh When discharged at 420mA to 1.0V at 20°C	
Charging Condition	210mA for 16 hrs at 20°C	
Fast Charge	1050mA to 2100mA (0.5 to 1C) charge termination control recommended control parameters: - ΔV : 0 - 5mV DT/dt : 0.8°C/min (0.5 to 0.9C) : 0.8 - 1°C/min (1C) TCO : 45 - 50°C Timer : 105% nominal input	
Service Life	>500 cycles (IEC standard)	
Continuous Overcharge	210mA maximum current for 1 year No conspicuous deformation and/or leakage	
Weight	32.0g	
Internal Resistance	Average 17m Ω upon fully charged (Range 15-25m Ω) at 1000Hz	
Max. Charging Voltage	1.5V at 210mA charging	
Ambient Temperature Range	Standard Charging	0 to 45°C
	Fast Charging	10 to 45°C
	Discharging	-20 to 50°C
	Storage	-20 to 35°C



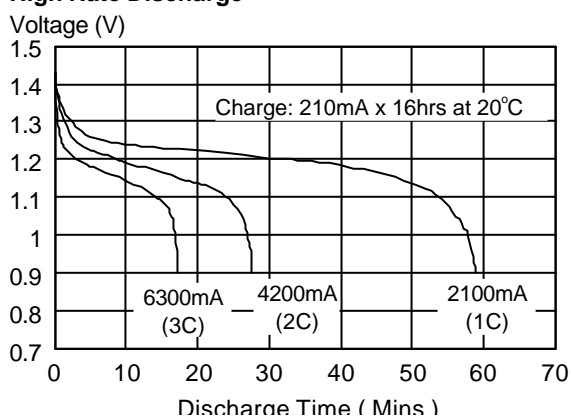
Fast Charge (Charge control required)



Low Rate Discharge



High Rate Discharge



* The information (subject to change without prior notice) contained in this document is for reference only and should not be used as a basis for product guarantee or warranty. For applications other than those described here, please consult your nearest GP Sales and Marketing Office or Distributors.

X-ON Electronics

Largest Supplier of Electrical and Electronic Components

Click to view similar products for [gp batteries manufacturer](#):

Other Similar products are found below :

[GP14A S2](#) [GP 15AU ULTRA PLUS B4](#) [GP15E](#) [GP 1604 ULTRA PLUS](#) [GP 24AU ULTRA PLUS B4](#) [11A B5](#) [A76-U10](#) [13A-U2](#) [15A-U4](#)
[15AU-U4](#) [164-U10](#) [189-U10](#) [24AU S2](#) [27A B5](#) [1604AU](#) [GP14E](#) [GP R20A](#) [312G-U1](#) [ZA13](#) [LR1/910A](#) [CC61W-B1](#) [GPR6AU/FO2](#)
[GP24A/FO2 SUPER](#) [GP X411 AA/AAA + 4X R6 2700MAH RECYKO](#) [PB570 + 4XAA 2700MAH](#) [PB50 H500 + 4X AA](#) [GP U411+ 4 X R6](#)
[2000MAH PRO](#) [GP U421+ 4 X R6 2100MAH](#) [GP U421+ 4 X R6 2600MAH](#) [GP U411+ 4 X R6 2600MAH](#) [GP XPLOR PH14 BB3](#) [PB550 +](#)
[4XAA 2700MAH](#) [PB420 + 4XAA 2500MAH](#) [PB50](#) [ZA10 B6](#) [GP910A-20](#) [186-U10](#) [GP U211+ 2 X R6 2100MAH](#) [GP13G-C20](#) [GP U811+](#)
[4X R6 2100MAH](#) [GP XPLOR PH15 BB3](#) [PB320](#) [PB420 GP](#) [GP1604AU-C1](#) [GP1604-10](#) [13G U2](#) [177-U10](#) [GP1604GLF-2UE1](#) [192-U10](#)
[24G-S2](#)