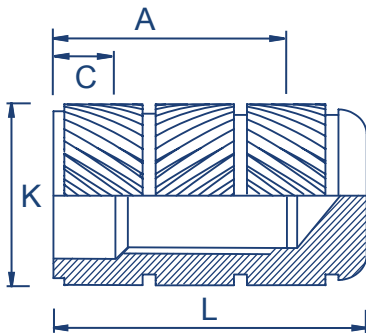


Brass/Self Colour



Metric Dimensions

Thread size	Metric	M2*	M2.5*	M3	M3.5	M4	M5	M6	M8*	M10*
L mm		5.5	6.4	7.3	9.2	10.2	11.2	14.4	16.5	17.9
K mm		3.4	4.3	4.7	5.5	6.3	7.3	9.8	11.4	13.8
A min. mm		3.6	4.0	4.6	6.0	6.7	7.4	8.1	11.1	11.9
C mm		1.0	1.2	1.3	1.6	1.8	2.0	2.0	2.3	2.4

***Non preferred - Please enquire for availability**

Non standard lengths and stud versions available on request
 Unified price and delivery available upon request

Flow-Sert™ Information for designers

The Flow-Sert™ is a blind insert, designed to be installed during the moulding process.

Advantages:

- The blind end prevents plastic ingress during moulding
- Very high pull out and torque resistance

Installation Data

The Flow-Sert™ is designed to be installed during moulding. It is critical that the mould pin used is designed to locate the Flow-Sert™ and prevent plastic ingress.

Please contact your nearest TR location for mould pin design assistance.

Prefix & Suffix Ordering

**For thread size, please refer to the first characters prior to the “-“ on the part number (i.e. M2, M2.5, etc.)*

**SF part number suffix relates to Self Finish*

X-ON Electronics

Largest Supplier of Electrical and Electronic Components

Click to view similar products for [tr fastenings manufacturer](#):

Other Similar products are found below :

[3.030PRST30TC1D](#) [5.020PRST30TC1D](#) [N80.750 PRA2ABS100-](#) [M840 KHHTMCS50-](#) [M830 SOHTCSZ50-](#) [M660 SOHTCSS100-](#) [M620 SOHTCSS100-](#) [M612 KHHTMCZ50-](#) [M610 HHA2SCS100-](#) [M620 KHA2MCS50-](#) [M540 PSSTMCZ100-](#) [M516 PSSTMCZ100-](#) [M525 SOHTCSZ100-](#) [M520 PSSTMCZ100-](#) [M510 KHHTMCZ50-](#) [M4- FABRWAN100-](#) [M440 SOA2CSS50-](#) [M430 SOHTCSZ100-](#) [M3- DNST-Z100-](#) [M26 HSHTPCS25-](#) [M1025 SOHTCSZ50-](#) [TRRLCBSR-7-01](#) [M46PTSTMCZ100-](#) [M412PSSTM CB100-](#) [M6 40 HH88BL Z100](#) [M4 25 M4A2MC S50 BUT T20](#) [M6 16 M4A2MC S50 BUT T30](#) [H0.250 25 M4STPB SF T25](#) [H0.250 M7STPB SF HEX 4.0 W/M8/REDE/OE/ST/KG](#) [W/M6/REDE/OE/ST/PG](#) [W/M5/FLG/CE/ST/KG](#) [N61.250 PRA2ABS100-](#) [M8 8 HSHTKC SF -](#) [N81.250 PRA2ABS100-](#) [TRFAKIT0009](#) [M830 SOHTCSS100-](#) [M820 SOHTCSS100-](#) [M6- N5A4-S50-](#) [M680 SOHTCSS100-](#) [M610 HHHTSCZ100-](#) [M6- DNST-Z100-](#) [M620 PRSTM CB100-](#) [M550 PSSTMCZ100-](#) [M516 PRA2MCS100-](#) [M512 BHHTMCS100-](#) [M530 SOHTCSZ100-](#) [M520 HHHTSCZ100-](#) [M4- DNST-Z100-](#) [M425 PSSTMCZ100-](#)