

Safety Switches

Product Description

SAFETY SWITCH

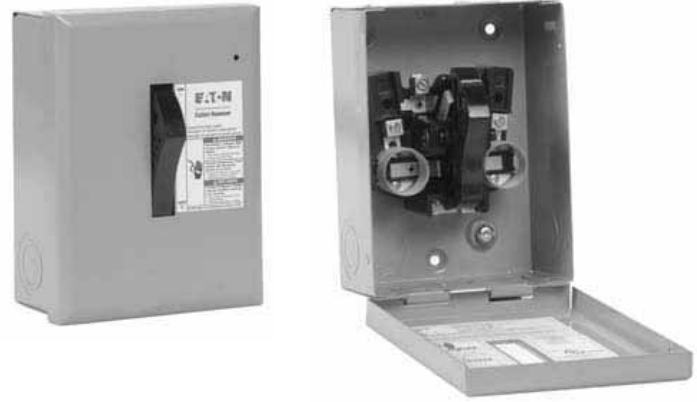
A safety switch is used to open or close an electrical circuit. Non-fusible safety switches provide a means to manually connect or disconnect the equipment from the power source. Fusible safety switches provide a means to manually open and close a circuit and overcurrent protection by using customer-installed fuses. Safety switches are also commonly referred to as a disconnect switch or simply a disconnect.

DOUBLE THROW SAFETY SWITCH

A double throw safety switch is sometimes referred to as a transfer switch. It performs the same function as a safety switch by opening or closing a circuit; however, its primary use is to transfer service from a normal power source to an alternate source (i.e., a residential generator) or to switch from one load circuit to another.

Features, Functions and Benefits

- ✓ 120/240, 240 or 600 volts.
- ✓ Easy to install.
- ✓ Ample wiring space.
- ✓ Padlockable.
- ✓ UL listed.



DP221NGB Plug Fuse Safety Switch, 30 Amperes, 120/240 Volts



DG322URB General-Duty, Non-Fusible Safety Switch, 60 Amperes, 240 Volts



DT224URK-NPS General-Duty, Non-Fusible Double Throw Emergency Power Safety Switch, 200 Amperes, 120/240 Volts



DH362UGK Heavy-Duty, Non-Fusible Safety Switch, 60 Amperes, 600 Volts

Applications

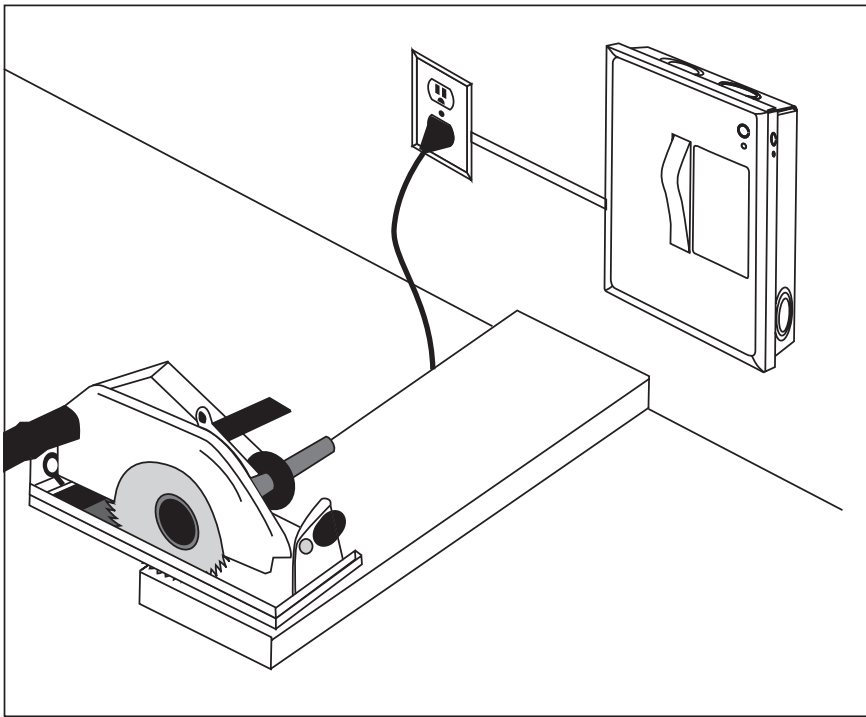


FIGURE 6-2. HOUSEHOLD WORKBENCH APPLICATION

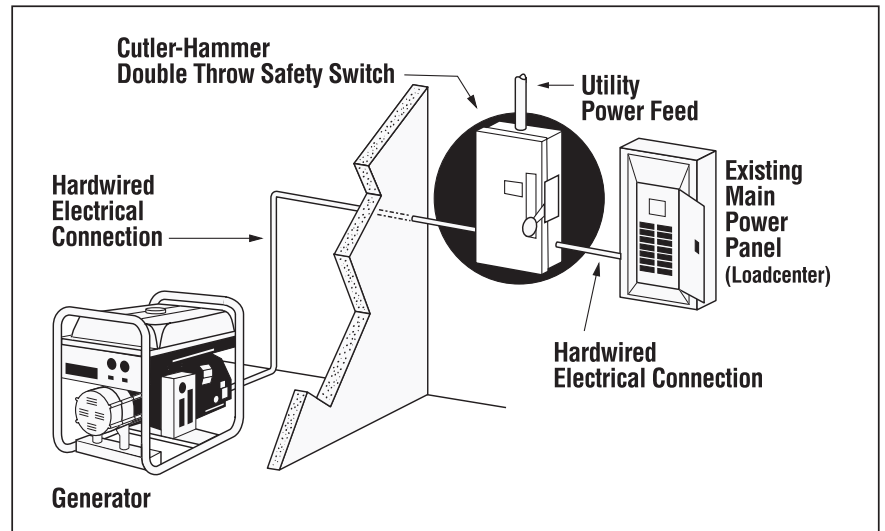


FIGURE 6-3. RESIDENTIAL GENERATOR APPLICATION WITH MANUALLY OPERATED DOUBLE THROW SAFETY SWITCH

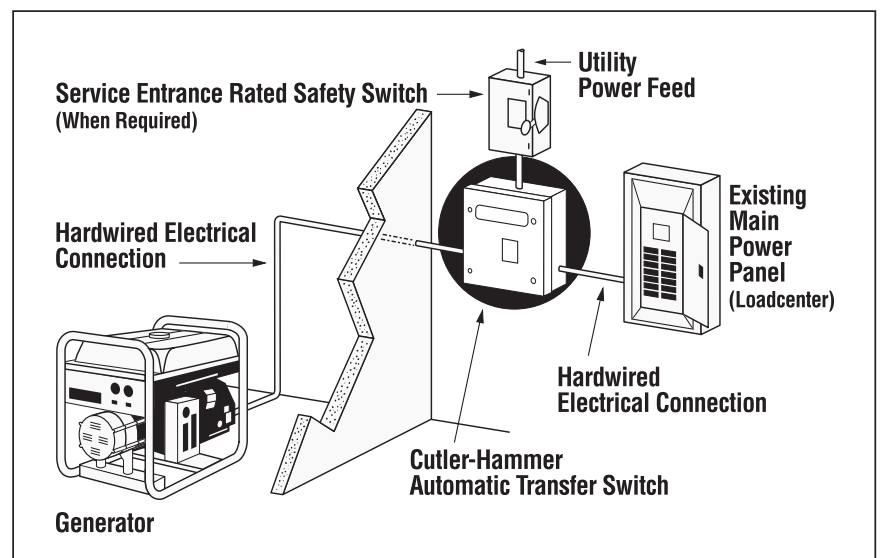
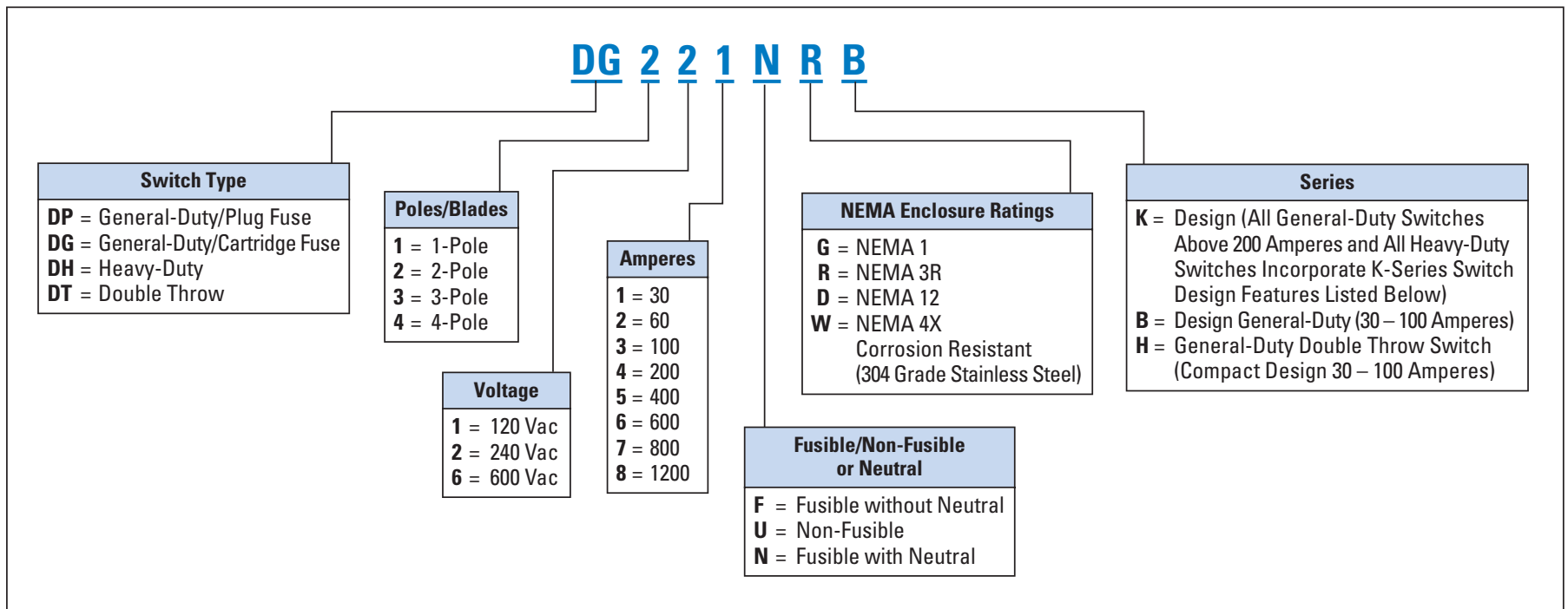


FIGURE 6-4. RESIDENTIAL GENERATOR APPLICATION WITH AUTOMATIC TRANSFER SWITCH AND SERVICE ENTRANCE RATED SAFETY SWITCH

Catalog Numbering System

TABLE 6-14. SAFETY SWITCH CATALOG NUMBERING SYSTEM



600 VAC HEAVY-DUTY, NON-FUSIBLE, SINGLE THROW

Specifications

- ✓ 30 – 1200 amperes.
- ✓ Horsepower rated.

- ✓ Suitable for service entrance use, except 1200 ampere on 480Y/277 or 600Y/347 grounded wye systems, per NEC 215-10 and 230-95, and 4-pole switches.
- ✓ UL listed File No. E5239.

TABLE 6-20. NON-FUSIBLE 277/480 – 600 VOLTS

Ampere Rating	Maximum Horsepower Ratings						Catalog Number							
	1-Phase ac			3-Phase ac			NEMA 1 Enclosure Indoor	UPC Code	NEMA 3R Enclosure Rainproof	UPC Code	NEMA 12 Enclosure Industrial, Dust-tight	UPC Code	NEMA 4X Enclosure Corrosion Resistant, Stainless Steel	UPC Code
	240 V	480 V	600 V	240 V	480 V	600 V								

2-Pole — 480 Vac — 600 Vac or dc ^①

(Suitable for Service Entrance Use with a Neutral or Ground Lug Kit Installed)

30	3	7-1/2	10	—	—	—	15	DH261UGK	782113205472	③	—	DH261UDK	④	782113205571	③	—
60	10	20	25	—	—	—	25	DH262UGK	782114858844	③	—	DH262UDK	④	782113206110	③ or ②	—
100	20	30	40	—	—	—	20	DH263UGK	782113206394	③	—	DH263UDK	④	782113206530	③ or ②	—
200	15	50	50	—	—	—	50	—	—	③	—	DH264UDK	④	782113206851	③ or ②	—
400	—	—	—	—	—	—	50	DH265UGK	782113207193	③	—	DH265UDK	④	782113207308	③ or ②	—
600	—	—	—	—	—	—	—	DH266UGK	782113207544	③	—	DH266UDK	④	782113589633	③ or ②	—
800	—	—	—	—	—	—	—	DH267UGK	782113589695	③	—	DH267UDK	④	782113589800	③ or ②	—
1200	—	—	—	—	—	—	—	②	—	③	—	②	—	—	②	—

3-Pole — 480 Vac — 600 Vac, 250 Vdc

(Suitable for Service Entrance Use with a Neutral or Ground Lug Kit Installed)

30	3	7-1/2	10	10	20	30	5	—	DH361UGK	782113205502	DH361URK	782113205519	DH361UDK	④	782113205601	DH361UWK	782113205724
60	10	20	25	20	50	60	10	—	DH362UGK	782113206004	DH362URK	782113206028	DH362UDK	④	782113206158	DH362UWK	782113206172
100	20	40	50	40	75	100	20	—	DH363UGK	782113206455	DH363URK	782113206479	DH363UDK	④	782113206561	DH363UWK	782113206578
200	15	50	50	60	125	150	40	—	DH364UGK	782113206806	DH364URK	782113206813	DH364UDK	④	782113206882	DH364UWK	782113206899
400	—	—	—	125	250	350	50	—	DH365UGK	782113207223	DH365URK	782113207230	DH365UDK	④	782113207322	DH365UWK	782114366110
600	—	—	—	200	400	500	—	—	DH366UGK	782113207575	DH366URK	782113207582	DH366UDK	④	782113207643	DH366UWK	782114357576
800	—	—	—	—	500	500	—	—	DH367UGK	782113589749	DH367URK	782113589756	DH367UDK	④	782113589862	DH367UWK	782114357651
1200	—	—	—	—	500	500	—	—	DH368UGK	782114312964	DH368URK	782114313077	DH368UDK	—	782116120994	DH368UWK	782116121021

4-Pole/ 2-Phase ac 3-Phase ac

480 Vac/
600 Vac,
250 Vdc

30	10	20	25	10	20	30	5	—	DH461UGK	782113205557	④	—	DH461UDK	④	782113205748	DH461UWK	782113713366
60	20	40	50	20	50	60	10	—	DH462UGK	782113206080	④	—	DH462UDK	④	782113206202	②	—
100	40	50	50	40	75	100	20	—	DH463UGK	782113206516	④	—	DH463UDK	④	782113206622	②	—
200	50	50	50	60	125	150	40	—	DH464UGK	782114121320	④	—	DH464UDK	④	782113207001	②	—
400	50	—	—	125	250	350	50	—	DH465UGK	782113952215	②④	—	②④	—	—	②	—
600	—	—	—	200	400	500	—	—	DH466UGK	782113952239	②④	—	②④	—	—	②	—
800	—	—	—	—	—	—	—	②	—	—	②④	—	②④	—	—	②	—

① dc rating for 400 – 800 ampere switches is 250 volts.

② Contact the Safety Switch Flex Center (1-888-329-9272) for availability of this product.

③ Use 3-pole catalog numbers below.

④ NEMA 12 enclosures (30 – 800 amperes) can be field modified to meet NEMA 3R rainproof requirements when a factory provided drain hole is opened.

X-ON Electronics

Largest Supplier of Electrical and Electronic Components

Click to view similar products for [Limit Switches](#) category:

Click to view products by [Eaton](#) manufacturer:

Other Similar products are found below :

[6LS2-4PG](#) [5ML1-E1](#) [5ML31](#) [LZG1](#) [LZL1-6C](#) [622EN114-R](#) [622EN18-6](#) [622EN224-6B](#) [622EN230](#) [622EN237-R](#) [622EN69-3](#) [622EN85-RB](#)
[MA-10019](#) [6PA109](#) [7LS51](#) [83547001](#) [83725002](#) [83830001](#) [83840001](#) [83840701](#) [83841001](#) [83870104](#) [83881140](#) [8AS42](#) [8LS10](#) [8LS125-](#)
[4PG](#) [8LS152-4PGN20](#) [914CE16-3A](#) [914CE16-AQ](#) [914CE3-3L1](#) [915PA10](#) [91MCE16-P2O](#) [924CE16-Y3](#) [924CE1-S6](#) [924CE1-T25A](#)
[924CE1-T3](#) [924CE1-T9A](#) [924CE2-T9](#) [924CE31-Y20-X5](#) [924CE31-Y3L1](#) [GL-10054](#) [GL-85710](#) [GL-85714](#) [GLAB26J2B](#) [GLDB03C-6](#)
[GLZ324](#) [PS21R-NT11N7-YK0](#) [D4A-1106N](#) [D4A1201N](#) [D4A-3E02N](#)