



## INSTRUMET 19" CASES

[Home Page](#)
[E-Mail Us](#)
[Catalogue PDF](#)
[Get a Catalogue](#)
[Get a Drawing](#)
[Get a Price](#)
[Get a Quote](#)
[Customising](#)
[IP Ratings](#)
[Colour Chart](#)
[Ordering Info](#)
 **01489 583858**
 **01489 583836**

### FEATURES:

- Modern aluminium 19" instrument cases
- Light weight yet robust construction
- Conforms to DIN 41494 & IEC 297-1
- Designed to accept standard 3U x 19" subracks, chassis and front panels
- Attractive design with die-cast front and rear bezels and fabricated case body
- Two versions, in three sizes
- Standard models with ABS side handles
- Portable models with tilt/swivel aluminium carry handle bar
- Supplied fully assembled and ready to use
- Internal subrack/chassis support rails
- Removable rear panel included
- Ventilation holes in base and rear panels
- Three M4 earth studs provided inside
- Moulded ABS non-slip tilt feet included
- Anodised 10.5"/19" front panels available as accessories

### MATERIAL:

- Aluminium

### PROTECTION CLASS:

- < IP 40 (Not rated)

### STANDARD COLOUR:

- Front bezel - window grey, RAL 7040
- Case body - light grey, RAL 7035 (powder polyester paint)

### SUPPLY:

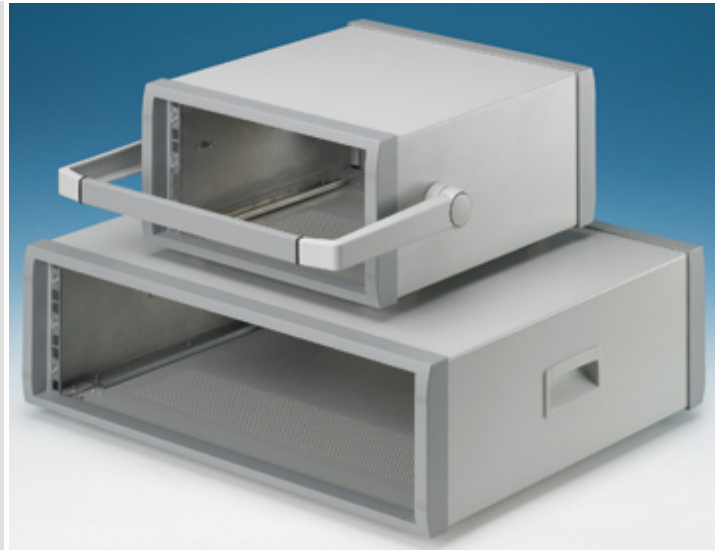
1. Front/rear bezel (x2)
2. Top cover
3. Base panel
4. Rear panel
5. Chassis support
6. ABS Side handle
7. Aluminium carry handle
8. ABS tilt feet
9. M4 x 10 mm (x8)  
M4 x 12 mm (x4)
10. M3 x 8 mm (x12)

### ACCESSORIES:

- 10.5"/19" Front Panel
- 19" Subrack/ Front Panel Mounting Kit

### APPLICATIONS:

- 19" subrack or chassis based electronics such as test and measurement equipment, networking and communications devices, industrial computers, sound and studio systems, laboratory instruments and industrial control systems.

 [Printable Page](#)


Modern 19" Instrument Cases



Subrack Mounting



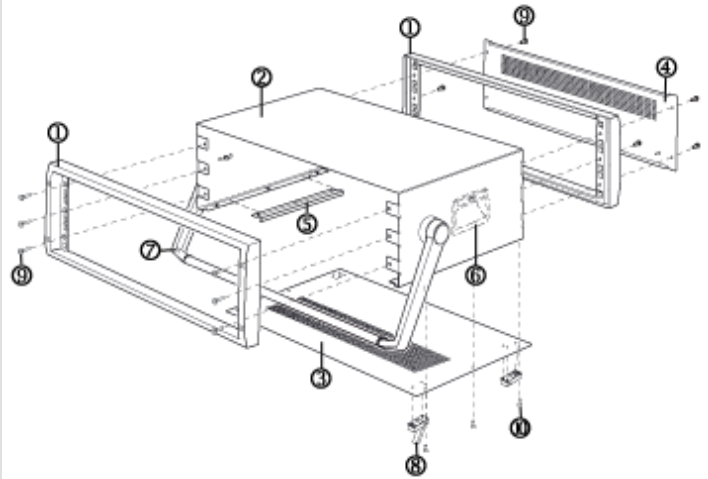
Carry Handle Bar





ABS Tilt Feet



Accessory Front Panels



### INSTRUMET 10.5" CASES

							
Part No. Standard Model	Part No. Portable Model	Type	H	W	D	Drawings	
M6010305		3U x 10.5"	157	303	350	<a href="#">PDF</a>	<a href="#">DWG</a>
	M6010315	3U x 10.5"	157	303	350	<a href="#">PDF</a>	<a href="#">DWG</a>

### INSTRUMET 19" CASES

							
Part No. Standard Model	Part No. Portable Model	Type	H	W	D	Drawings	
M6019305		3U x 19"	157	516	350	<a href="#">PDF</a>	<a href="#">DWG</a>
	M6019315	3U x 19"	157	516	350	<a href="#">PDF</a>	<a href="#">DWG</a>
M6019325		3U x 19"	157	516	450	<a href="#">PDF</a>	<a href="#">DWG</a>
	M6019335	3U x 19"	157	516	450	<a href="#">PDF</a>	<a href="#">DWG</a>

### ACCESSORIES



For case..	Part No. Aluminium Front Panel		Part No. Subrack/Front Panel Mtg Kit*		Drawings	
3U x 10.5"	M6010001	£			PDF	DWG
3U x 19"	M6019001	£			PDF	DWG
All			M6000035	£		

**Notes:**

\* Front Panel Kit - Anodised front panel

\* 19" Subrack/Front Panel Mounting Kit - 4 M6 caged nuts, 4 M6 Screws &amp; 4 ABS plastic washers (RAL 7035)

 [Printable Page](#)
[Customising](#)

Tel: (01489) 583858 Last Updated: 27-Feb-2008 ©OKW Enclosures Ltd. UK. All rights reserved.

## **X-ON Electronics**

Largest Supplier of Electrical and Electronic Components

*Click to view similar products for [metcase](#) manufacturer:*

Other Similar products are found below :

[M5501110](#) [M5623105F](#) [M5513110](#) [M5625305F](#) [M5725207](#) [M6019305](#) [M5506110](#) [M5700615](#) [M5700621](#) [M5505119](#)