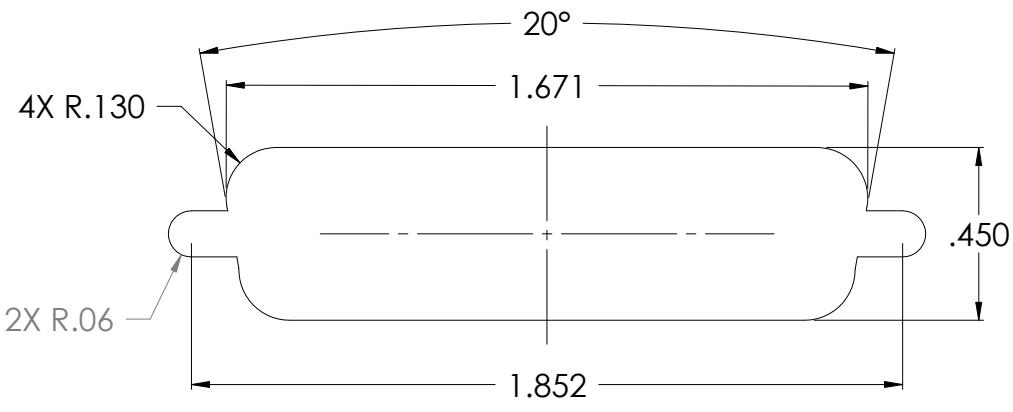
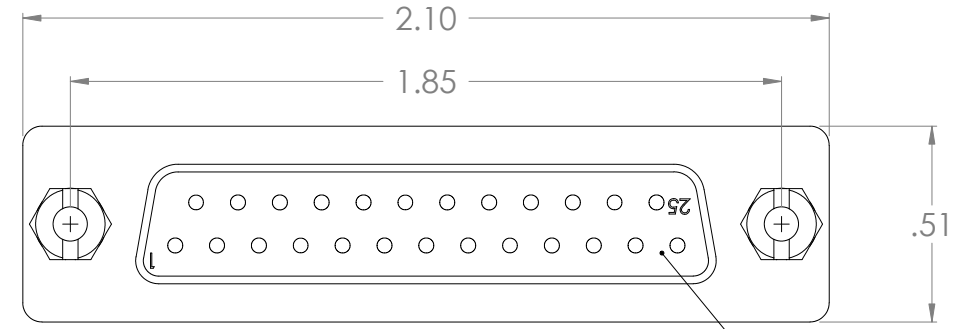
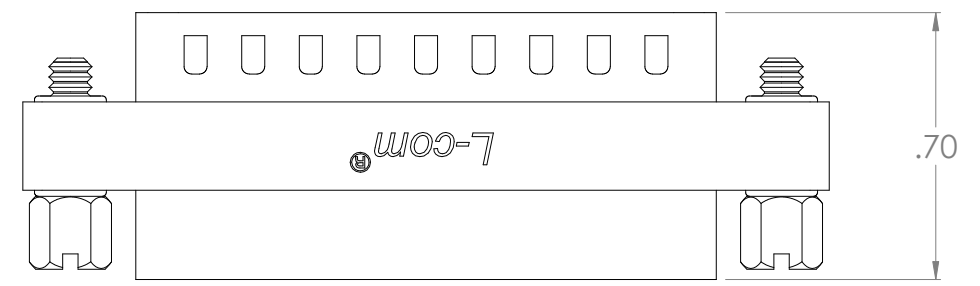


THE INFORMATION CONTAINED IN THIS DRAWING IS THE SOLE PROPERTY OF L-COM, INC. ANY REPRODUCTIONS IN PART OR WHOLE WITHOUT THE WRITTEN PERMISSION OF L-COM, INC. IS PROHIBITED.

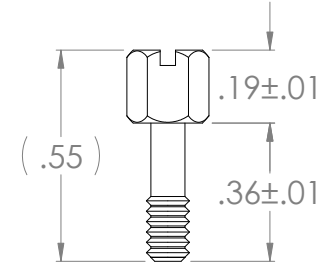
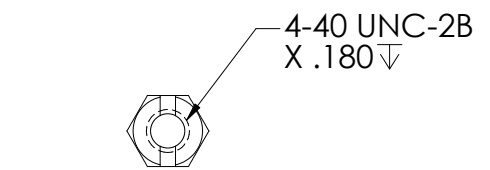
REVISIONS			
REV	DESCRIPTION	DATE	APPROVED
D	ECN #1311 REVISED ELECTRICAL SPECS	02/21/03	MCCORMICK
E	ECN #1613 - ADDED COMPONENT SPECIFICATION TABLE	12/10/03	B.MAZEJKA
F	ECN #1630 - CHG'D COMPONENT SPECIFICATION TABLE	01/05/04	B.MAZEJKA
G	ECN # 1741 REMOVED HEX STANDOFF FROM ASSEMBLY	05/05/04	R.CARRICK



RECOMMENDED PANEL OPENING
(MAX PANEL THICKNESS: 0.06")



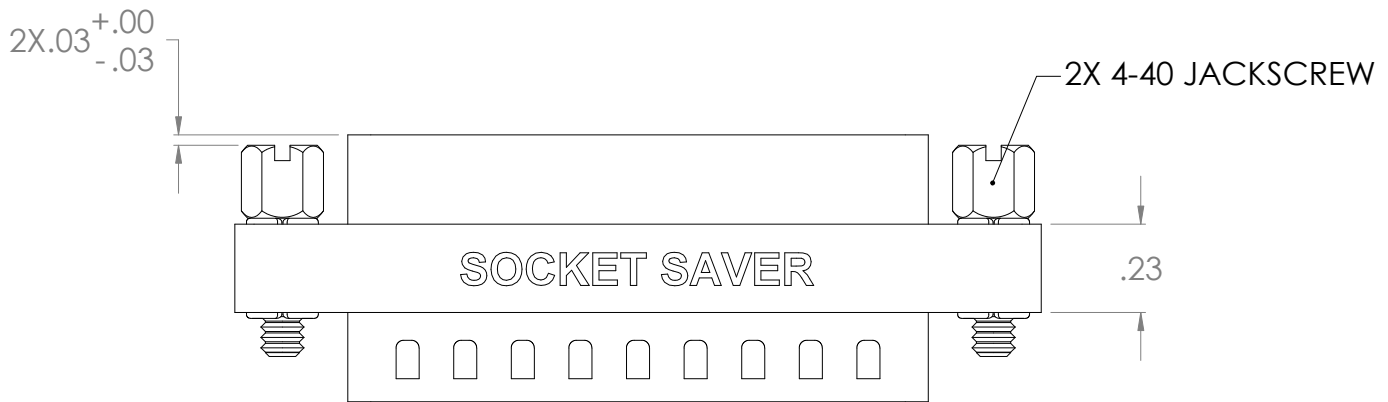
FEMALE, 25 PIN
D-SUB CONNECTOR



JACKSCREW
SPECIFICATION

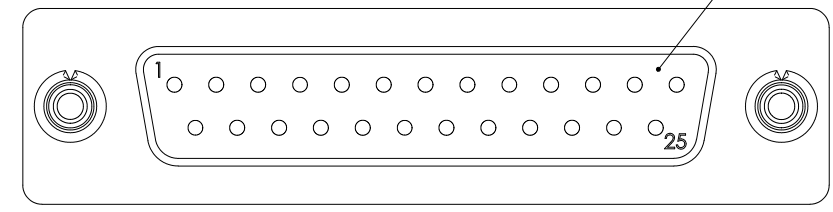
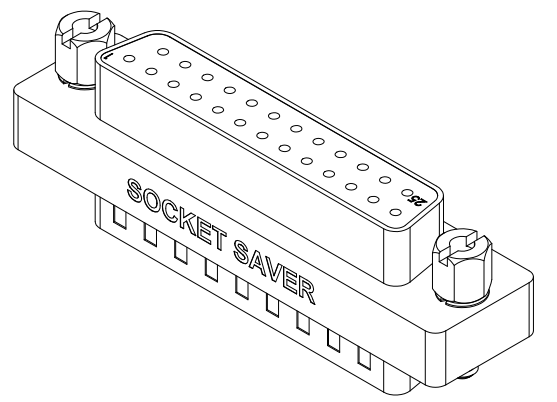
APPLICATION NOTES:
ALL PINS WIRED STRAIGHT THROUGH

LABELING:
PANTONE 2945 BLUE. "L-COM" FONT MyriaMM ITALIC.
"SOCKET SAVER" FONT ARIAL BOLD, TEXT HEIGHTS; .085"
TEXT COLOR; WHITE.



2X 4-40 JACKSCREW

SOCKET SAVER



MALE, 25 PIN
D-SUB CONNECTOR

Component Specifications	
Material	
Shell	Steel
Contacts/Terminals	Copper Alloy
Hardware	Brass
Insulator	PBT Fiber Reinforced (UL 94V-0 Rated)
Finish	
Shell	Tin/Nickel Plated
Contacts/Terminals	Gold Flash Plated: 1 - 1.5µ inches
Hardware	Nickel Plated
Electrical	
Current Rating	3 AMP
Insulation Resistance	1000 MΩ Min @ 500 VDC
Dielectric Withstanding Voltage	1000 VAC (for One minute)
Environmental	
Operational Temperature Range	-55°C to +105°C

CS-131

UNLESS OTHERWISE SPECIFIED
DIMENSIONS ARE IN INCHES
TOLERANCES ARE:
.X ±.1
.XX ±.05
.XXX ±.005
CABLE LENGTH TOLERANCE
<300" ±5% >300" ±2%

APPROVALS	DATE
DRAWN BY R.CARRICK	9/28/2002
CHECKED BY T.CLARK	09/28/2002
APPROVED BY D.PARHAM	9/28/2002

L-com 45 BEECHWOOD DRIVE
NORTH ANDOVER, MA
01845

PRODUCT DESCRIPTION
ADPT, SKT SAVER DB25 SLIM M/F

DRAWING TITLE
OUTLINE DRAWING

SIZE B	FSCM NO. 43321	DWG. NO. DGB25MF-OD1	REV. G
------------------	--------------------------	--------------------------------	------------------

SCALE: 2:1 CAD FILE: DGB25MF-OD1.SLDDRW SHEET 1 OF 1

X-ON Electronics

Largest Supplier of Electrical and Electronic Components

Click to view similar products for [l-com manufacturer](#):

Other Similar products are found below :

[FOA-550A](#) [SDRA15AG](#) [UMC-201](#) [CSMN50MF-5](#) [CSMNB15MF-15](#) [TRD815RA2BL-5](#) [CA3N050](#) [CA3A-90DA-1M](#) [U3A00003-03M](#)
[CTLF3VGAMM-20](#) [HDCAMM-3](#) [U3A00014-03M](#) [ECF-SK-25](#) [CSMT15MF-10](#) [CSMT15MM-15](#) [CSMT15MM-25](#) [CSPL15MF-50](#)
[CSPL25MF-25](#) [CSPL9MF-10](#) [CSPL9MF-5](#) [CSPL25MF-5](#) [CSPL25MF-2.5](#) [AL-IPEPS](#) [NB201611-10F-1](#) [TDG1026KC5-MNL](#) [NB121005-](#)
[10F](#) [TRD855SRA6DBL-05M](#) [TRD855SRA6DBL-10M](#) [TRD855SRA7DBL-1M](#) [TRD855SRA7DBL-10M](#) [PR175SCDLCQ24](#) [TRG508-T4T-](#)
[3M](#) [TRA5261-15F](#) [TRA5261S-1F](#) [TRA6261-1F](#) [TRA6261-10F](#) [USBBFT](#) [DGB25M](#) [CASATAL-18](#) [CSM25MM-10](#) [CSM37MF-10](#)
[CSUSB-100](#) [CA3A-90RA-1M](#) [CA3A-90RMICB-1M](#) [U2A00003-3M](#) [U3A00003-05M](#) [U2A00008-12I](#) [U3A00056-03M](#) [U3A00007-075M](#)
[U3A00007-1M](#)