

DG85

automotive / industrial relays

DURAKOOL



- General purpose automotive or industrial relays
- High resistance to inrush current
- PCB mounting versions available
- Ideal for DC motor control
- Industry standard size and footprint
- High continuous DC current capacity
- RoHS Compliant

Contacts

Contact number & arrangement	SPST-NO (1NO), SPDT (1 C/O)				
Contact material	AgNi, AgNi0.15, AgSnOInO, AgCdO				
Max. switching voltage	30VDC - current dependent - see curve Fig 2				
Max. continuous current	SPST-NO SPDT (NO / NC)	DG85A	DG85B	DG85C	DG85D
		30A 30A/30A	60A 60A/40A	80A 80A/60A	100A ---
Max. switching current - make	SPST-NO SPDT	120A 120A/45A	120A 120A/45A	240A 240A/180A	240A ---
		40A 40A/30A	60A 60A/40A	80A 80A/60A	100A ---
Min. switching current	0.1A 12VDC				
Resistance	< 100mΩ at 0.1A / 6VDC				

Coil

Rated voltage	6, 12 & 24VDC
Must release voltage	$\geq 0.01U_n$
Operating range of supply voltage	See Table 1
Rated power consumption	1.6W (1.81W with resistor)

Insulation

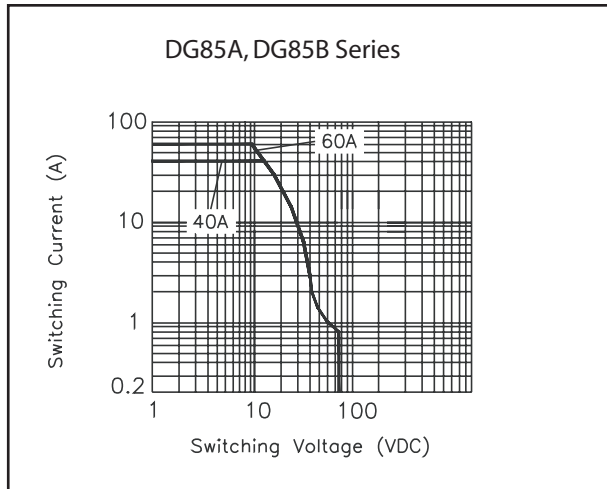
Dielectric strength coil - contact	500Vrms / 1min
---------------------------------------	----------------

General data

Operating time (typical value)	≤ 7 msec
Release Time	≤ 2 msec
Electrical Life resistive	$> 2 \times 10^5$ (DG85A, DG85B); $> 10^5$ (DG85C, DG85D)
Mechanical life	$> 10^7$
Dimensions (L x W x H)	various - see dimensional drawings
Weight	35g approx.
Ambient Temperature storage	-40... + 155°C
operating	-40... + 125°C - see also Fig 1
Cover protection category	IP40, IP67 depending on version
Shock resistance	20g, 11ms
Vibration resistance	10-40Hz: DA 1.27mm; 70-100Hz: DA 0.5mm; 100-500Hz: 10g

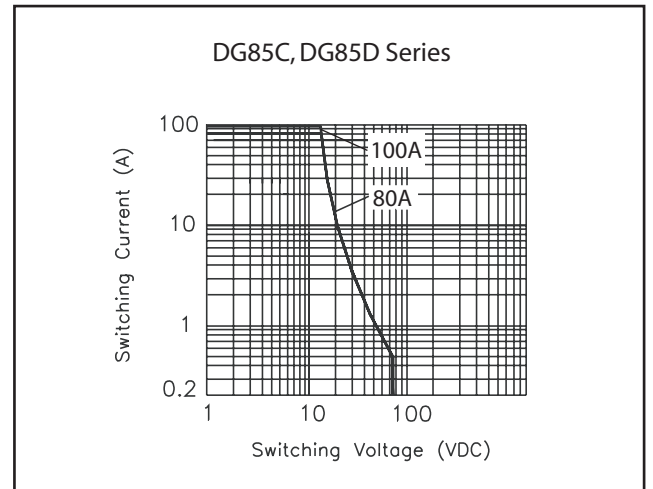
Max. DC resistive load breaking capacity

Fig. 1



Max. DC resistive load breaking capacity

Fig. 2



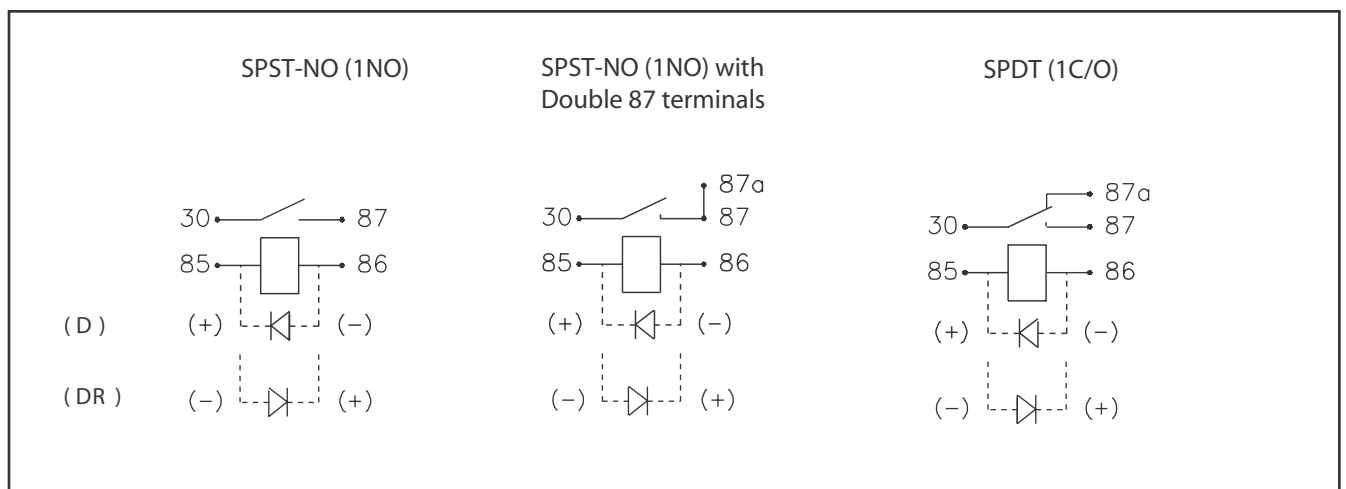
Coil Data - DC voltage version

Table 1

Coil code	Rated voltage V DC	Coil resistance ± 10% at 20°C Ω	Must Operate Voltage Max VDC	Must Release Voltage Min VDC
1006	6	22	3.6	0.6
1012	12	90	7.2	1.2
1024	24	330	14.3	2.4

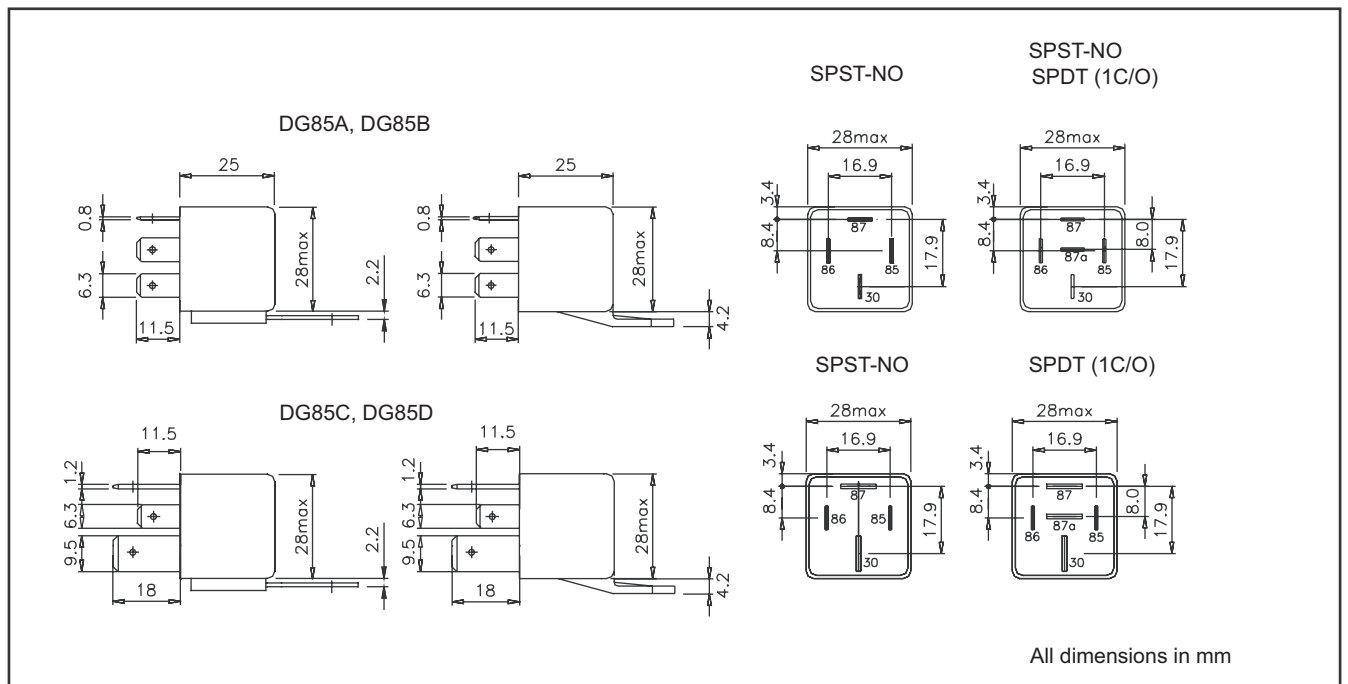
Wiring diagrams

Fig. 3



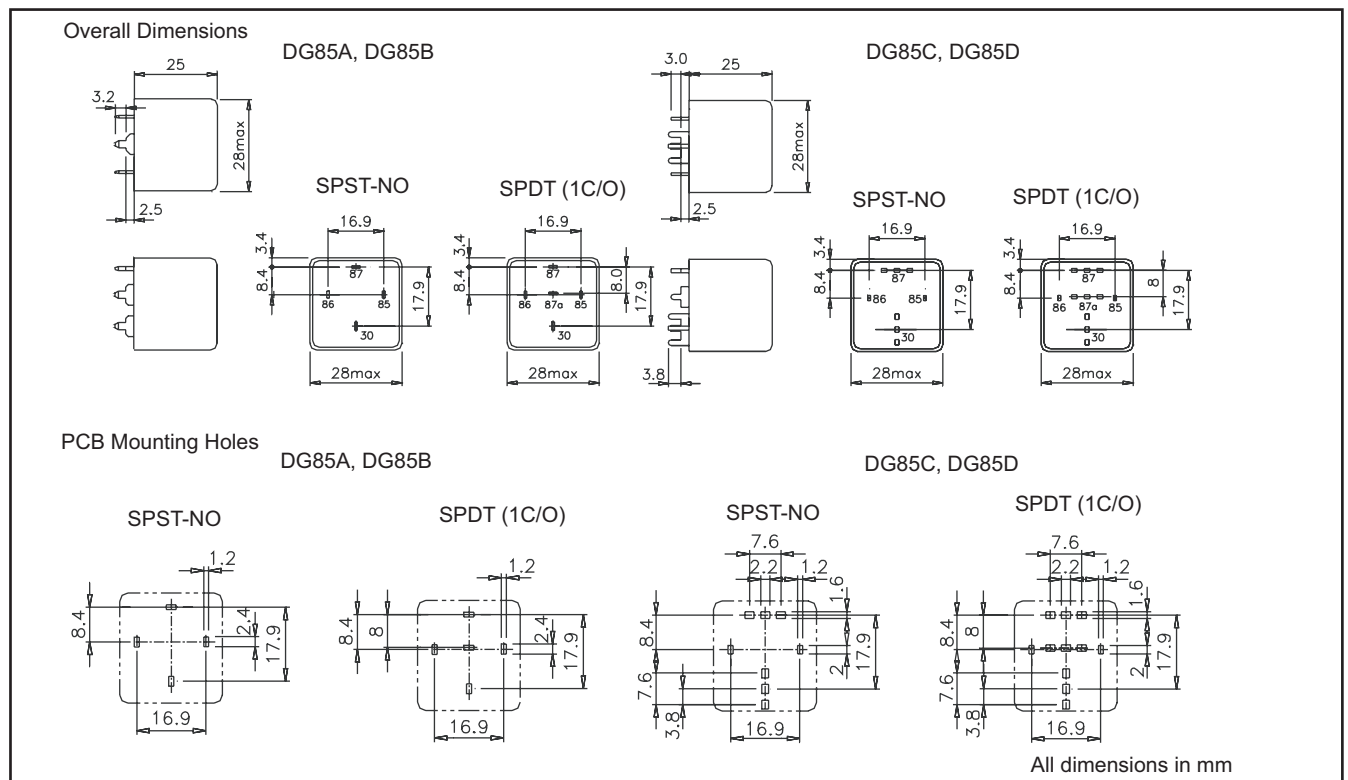
Dimensions - plug-in types

Fig. 4



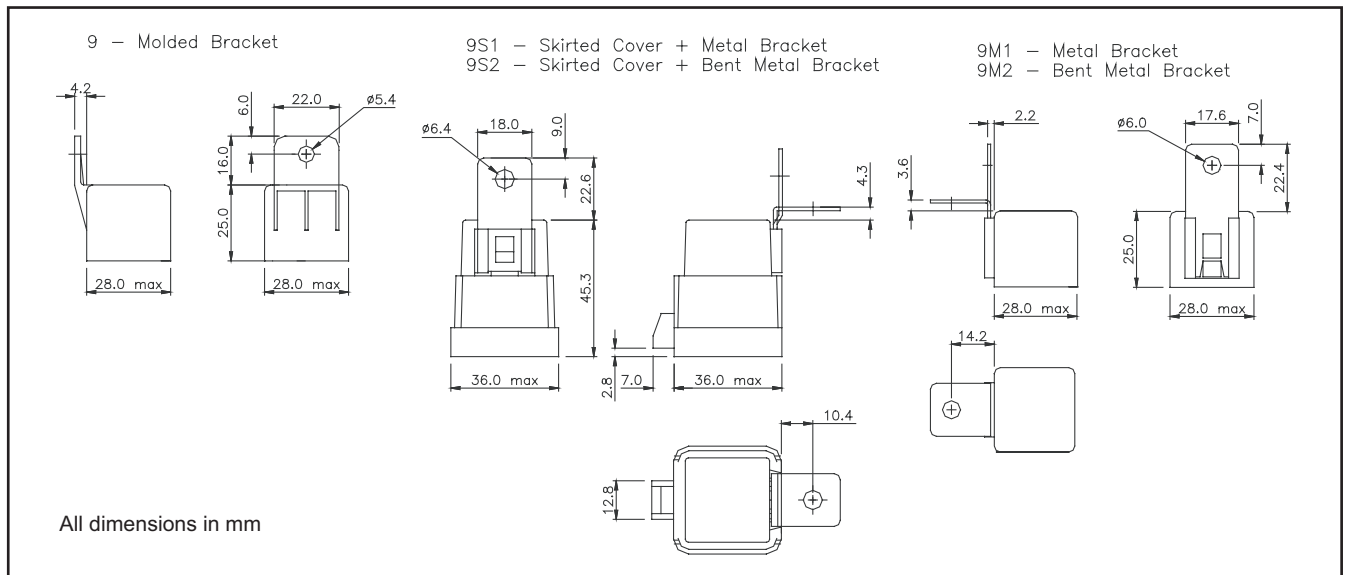
Dimensions - PCB types

Fig. 5

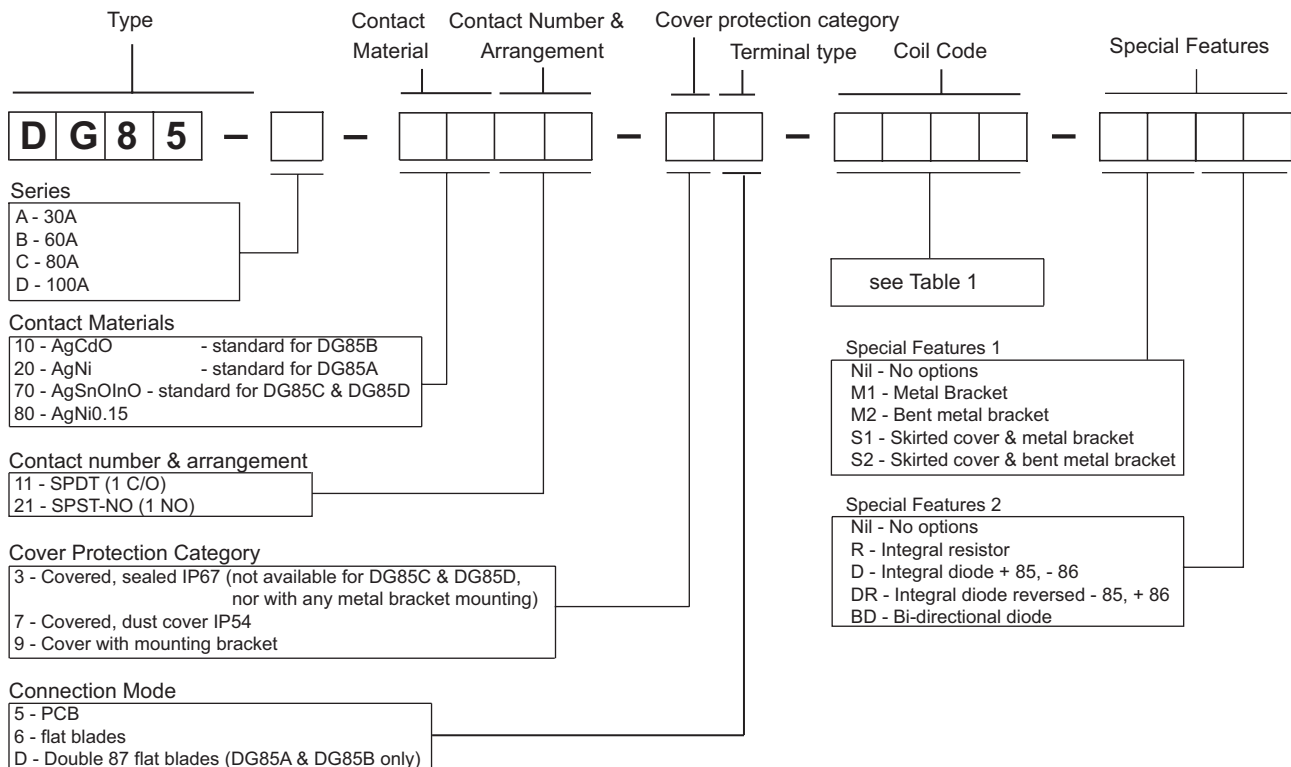


Dimensions - optional covers & brackets

Fig. 6



Ordering Codes



X-ON Electronics

Largest Supplier of Electrical and Electronic Components

Click to view similar products for [Automotive Relays](#) category:

Click to view products by [Durakool](#) manufacturer:

Other Similar products are found below :

[896H-1AH-D1SW-001-24VDC](#) [896H-1AH-D1SW-R1-12VDC](#) [896H-1CH-C1-001-12VDC](#) [896H-1CH-S-24VDC](#) [896HP-1AH-C-12VDC](#)
[G5CE1ASIDC12](#) [AEV31024](#) [1393204-2](#) [1393302-3](#) [13Z99A115-0074](#) [1432872-1](#) [1617057-2](#) [2-1617057-2](#) [CB1F-M-12V-H15](#) [CB1-T-R-M-12V](#) [896H-1CH-D1SF-R1-12VDC](#) [896H-1CH-D1SF-R1-T-12VDC](#) [898H-1AH-D-001-12VDC](#) [24198-1](#) [5-1616920-2](#) [5-1617052-9](#) [5407-0011-HS](#) [CB1AF-M-12V-H59](#) [5-1617346-8](#) [103-1AH-C-12VDC](#) [CF2Q-12V](#) [V23134A1052X299](#) [CP112J](#) [896H-1AH-S1-001-12VDC](#)
[897H-1AH-D-R1-U01-12VDC](#) [896H-1CH-D-U39-24VDC](#) [896HP-1AH-C-U2120VDC](#) [896E-1CH-D1SW-U57-12VDC](#) [896H-1CH-D1SW-R1-U30-12VDC](#) [896H-1AH-C1S-R1-24VDC](#) [102-1CH-C-12VDC](#) [V23076A3001D142T](#) [1-19042-6](#) [3-1393305-1](#) [J7TKNA9](#)
[V23234A1001X043-EV-144](#) [V23086-R1851-A502](#) [898H-1AH-D1SW-R1-12VDC](#) [RH4C1P2607](#) [RE031005](#) [V23134M0052G242](#) [1393204-1](#)
[G8N-1L-AS DC12](#) [V23076A3022D142](#) [V23074A2001A402](#)