

**NEW!**

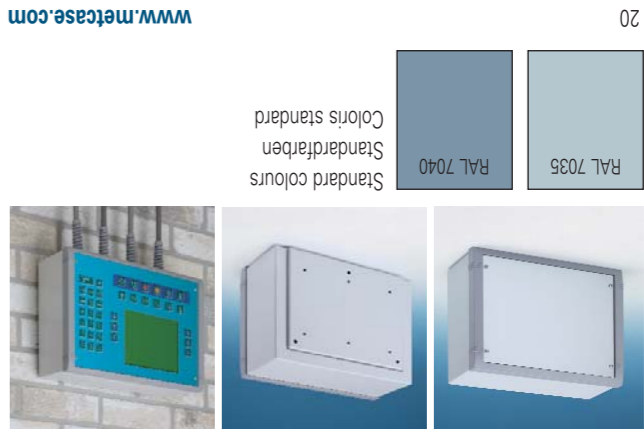


**Datamet Wall Cases**  
 Modern aluminium enclosures designed for indoor applications. Provide total access to the electronics during installation on the wall. Stylish design with die-cast front bezel, top cover and 'L' shape rear panel. Front panels and internal mounting plates ordered separately.

**Datamet Wandgehäuse**  
 Moderne Aluminium-Gehäuse für Innenanwendungen. Elektronik während der Wandinstallation frei zugänglich. Elegantes Design mit Zink-Druckguss Frontrahmen, Haube und Rückplatte in L-Form. Front- und Montageplatten als Zubehör.

**Boîtiers Muraux Datamet**  
 Des boîtiers en aluminium modernes pour des applications dans l'intérieur. Accès à l'électronique sans barrière pendant l'installation au mur. Design élégant avec bandeaux frontaux, partie supérieure et panneau arrière en forme L moulés sous pression. Panneaux frontaux et plaques internes à commander séparément.

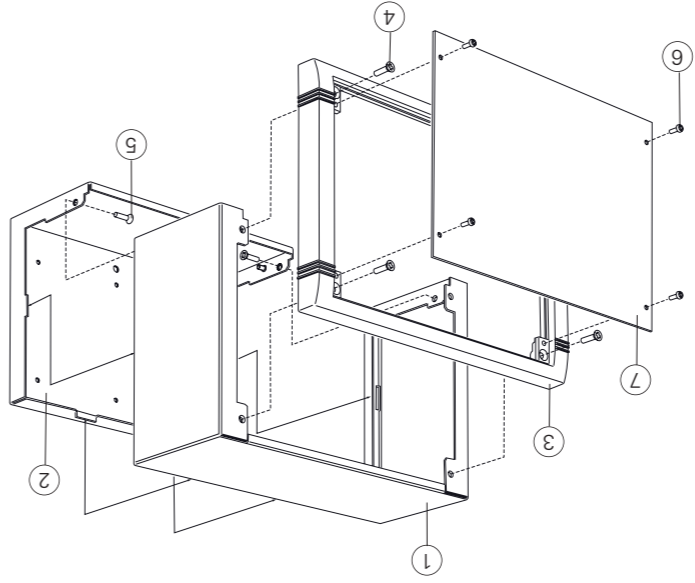
**Datamet**



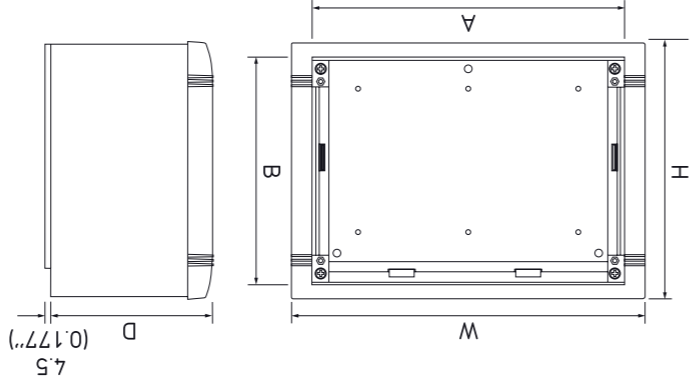
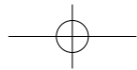
Standard colours  
 Standardfarben  
 Colors standard

RAL 7040

RAL 7035



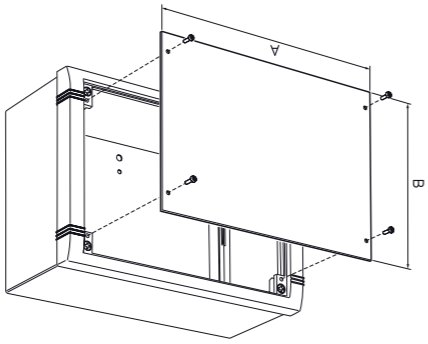
- Supply**
- ① Top cover
  - ② Rear panel
  - ③ Front bezel
  - ④ M4 x 16 mm (x4)
  - ⑤ M4 x 6 mm (x2)
  - ⑥ M3 x 6 mm (x4)
  - ⑦ \*Front panel
- Accessories**
- \*Front panel
  - \*Front plates
- Lieferumfang**
- Oberteil
  - Rückplatte
  - Frontrahmen
  - Frontbezel
  - M4 x 16 mm (x4)
  - M4 x 6 mm (x2)
  - M3 x 6 mm (x4)
  - M3 x 6 mm (x4)
  - \*Plaque avant
  - \* Accessoires



Datamet

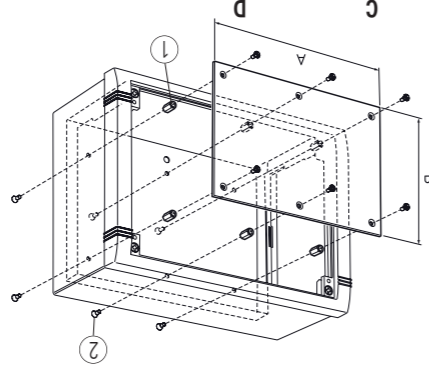
Part No.	Version	W	H	D	A	B
M 58 25 105	S	250 (9.842")	180 (7.086")	116 (4.567")	220.7 (8.689")	160.8 (6.330")
M 58 35 105	M	350 (13.779")	250 (9.842")	116 (4.567")	320.7 (12.625")	230.8 (9.086")
M 58 40 105	L	450 (17.716")	300 (11.811")	116 (4.567")	420.7 (16.563")	280.8 (11.055")

Front Panel



Part No.	Version	A	B
M 58 00 025	S	220 (8.661")	159.5 (6.280")
M 58 00 035	M	320 (12.598")	229.5 (9.035")
M 58 00 040	L	370 (14.567")	279.5 (11.004")

Mounting Plate Kit



**Supply:** Mounting plate + ① x 6 + ② x 12  
**Lieferumfang:** Montageplatten + ① x 6 + ② x 12  
**Fourniture:** Plaque support + ① x 6 + ② x 12

Kit De Plaque Support

Part No.	Version	A	B	C	D
M 58 04 125	S	175 (6.890")	120 (4.724")		
M 58 04 135	M	275 (10.827")	190 (7.480")		
M 58 04 140	L	325 (12.795")	240 (9.449")		

Mounting Plate Kit

Datamet



Front Panel



Mounting Plate Kit

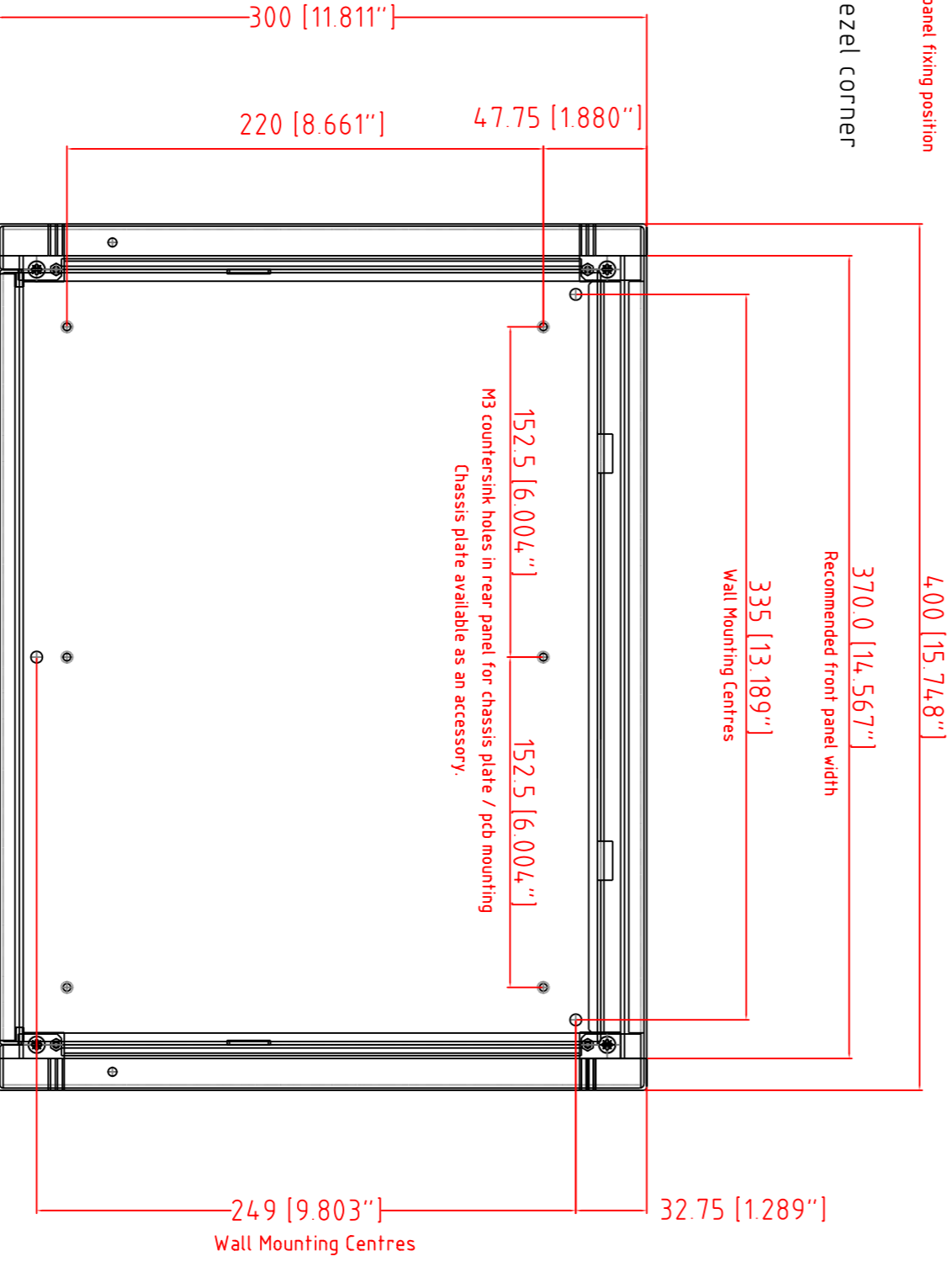
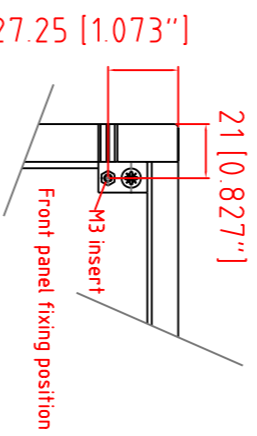


**MET CASE™**



3 4 5 6 7 8 9 10

Modifications	Iss
	1



Assembly Front View

Panel to inside face of rear panel available as an accessory.

ation Side View

**Build & Finish.**  
All parts are made from aluminium, except hardware. The finish is fine texture epoxy polyester powder paint.  
The case body is fabricated from 1.5mm material & then painted RAL 7035. The bezel is aluminium die castings & extrusions & then painted RAL 7040.

Tolerances unless otherwise stated: General tolerances ±0.20 Resultant tolerances between hole centers ±0.15 Tolerances on hole diameters ±0.05 Angles ± 0.5° Surface finish 32/	Required Finish See note	Scale 1:1	ALL DIMENSIONS IN MILLIMETRES (Inches in brackets)		DO NOT SCALE
	Drawn by Ian Cox	Checked By	Drawing Number	Date drawn January '07	Material Spec See note
	<b>METcase</b> www.metcase.com	METCASE ENCLOSURES 15 Brunel Way, Segensworth East, Fareham, Hampshire, PO15 5TX, UK	Part Name Datamet L	Part Number M584.0105	Sheet 1 of 1
<small>OKW ENCLOSURES LTD DATE AS SHOWN. THIS DRAWING CONTAINS PROPRIETARY INFORMATION OF OKW ENCLOSURES LTD AND IS TENDERED SUBJECT TO THE FOLLOWING CONDITIONS: THE INFORMATION BE RETAINED IN CONFIDENCE, NOT BE REPRODUCED OR COPIED, AND NOT BE USED OR INCORPORATED IN ANY PRODUCT, UNLESS PERMISSION IS OBTAINED IN WRITING FROM OKW ENCLOSURES LTD.</small>					
					A0

## **X-ON Electronics**

Largest Supplier of Electrical and Electronic Components

*Click to view similar products for [metcase](#) manufacturer:*

Other Similar products are found below :

[M5501110](#) [M5623105F](#) [M5513110](#) [M5625305F](#) [M5725207](#) [M6019305](#) [M5506110](#) [M5700615](#) [M5700621](#) [M5505119](#)