

NEW!



Datamet

Datamet Wall Cases
 Modern aluminium enclosures designed for indoor applications. Provide total access to the electronics during installation on the wall. Stylish design with die-cast front bezel, top cover and 'L' shape rear panel. Front panels and internal mounting plates ordered separately.

Datamet Wandgehäuse
 Moderne Aluminium-Gehäuse für Innenanwendungen. Elektronik während der Wandinstallation frei zugänglich. Elegantes Design mit Zink-Druckguss Frontrahmen, Haube und Rückplatte in L-Form. Front- und Montageplatten als Zubehör.

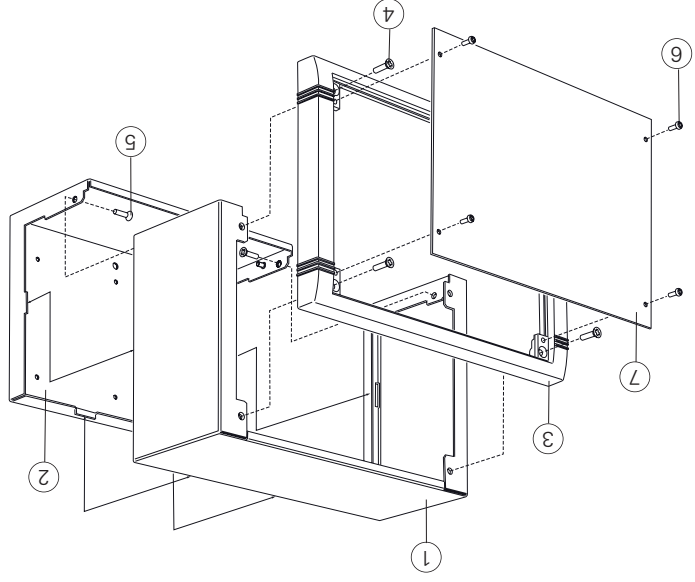
Boîtiers Muraux Datamet
 Des boîtiers en aluminium modernes pour des applications dans l'intérieur. Accès à l'électronique sans barrière pendant l'installation au mur. Design élégant avec bandeaux frontaux, partie supérieure et panneau arrière en forme L moulés sous pression. Panneaux frontaux et plaques internes à commander séparément.



Standard colours
 Standardfarben
 Colors standard

RAL 7040

RAL 7035



Supply

- ① Top cover
- ② Rear panel
- ③ Front bezel
- ④ Front panel
- ⑤ M4 x 6 mm (x2)
- ⑥ M3 x 6 mm (x4)
- ⑦ *Front panel

* Accessoires

Lieferumfang

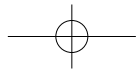
- Frontrahmen
- Rückplatte
- Frontplatten
- M4 x 16 mm (x4)
- M4 x 6 mm (x2)
- M3 x 6 mm (x4)
- * Frontplatten

* Zubehör

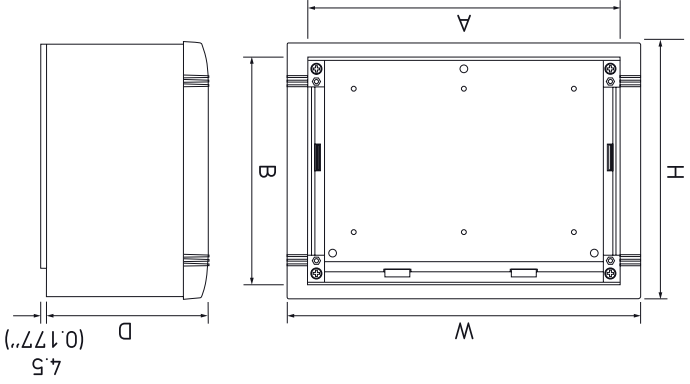
Fourniture

- Partie supérieure
- Plaque arrière
- Cadre frontal
- M4 x 16 mm (x4)
- M4 x 6 mm (x2)
- M3 x 6 mm (x4)
- * Plaque avant

* Accessoires



Datamet

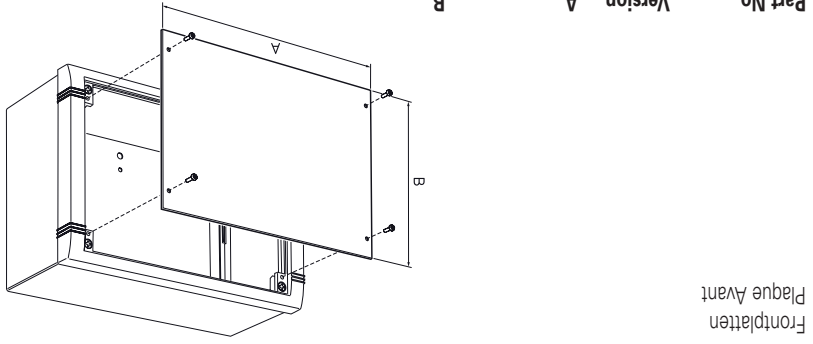


Part No.	Version	W	H	D	A	B
M 58 25 105	S	250 (9.842")	180 (7.086")	116 (4.567")	220.7 (8.689")	160.8 (6.330")
M 58 35 105	M	350 (13.779")	250 (9.842")	116 (4.567")	320.7 (12.625")	230.8 (9.086")
M 58 40 105	L	450 (17.716")	300 (11.811")	116 (4.567")	420.7 (16.563")	280.8 (11.055")

Bestell-Nr./Ref.

Front Panel

Frontplatten
 Plaque Avant

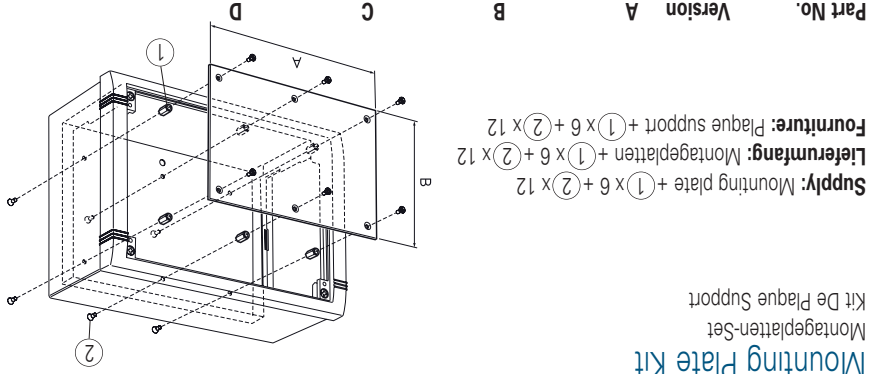


Part No.	Version	A	B
M 58 00 025	S	220 (8.661")	159.5 (6.280")
M 58 00 035	M	320 (12.598")	229.5 (9.035")
M 58 00 040	L	370 (14.567")	279.5 (11.004")

Bestell-Nr./Ref.

Mounting Plate Kit

Montageplatten-Set
 Kit De Plaque Support



Supply: Mounting plate + ① x 6 + ② x 12
Lieferumfang: Montageplatten + ① x 6 + ② x 12
Fourniture: Plaque support + ① x 6 + ② x 12

Part No.

Version	A	B	C
M 58 04 125	S	175 (6.890")	120 (4.724")
M 58 04 135	M	275 (10.827")	190 (7.480")
M 58 04 140	L	325 (12.795")	240 (9.449")

Bestell-Nr./Ref.

Mounting Plate Kit



Front Panel



S



M



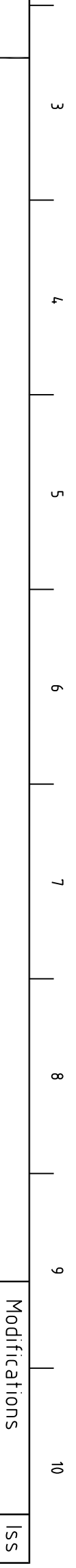
L



Datamet

MET CASE™





5.7") dia

3.70 [14.567"]

6 [0.236"]

6 [0.236"]

2 [0.079"]

This face to be clean & free from marks after anodising.

Tolerances unless otherwise stated:		Required finish		Scale		ALL DIMENSIONS IN MILLIMETRES (Inches in brackets)		DO NOT SCALE	
General tolerances ±0.20		Etch & Clear Anodise		1:1					
Resultant tolerances between hole centers ±0.15		www.metcase.com		Drawn by Ian Cox		Drawing Number 14.49		Date drawn January '07	
Tolerances on hole diameters ±0.05		METcase		Checked by		Part Name Datamet Front Panel L		Material Spec 2.0mm aluminium	
Angles ± 0.5°		METCASE ENCLOSURES 15 Brunel Way Segensworth East, Fareham, Hampshire, PO15 5TX, UK		Drawing Number		Part Number M5800040		Sheet 1 of 1	
Surface finish 32/		©OKW ENCLOSURES LTD DATE AS SHOWN. THIS DRAWING CONTAINS PROPRIETARY INFORMATION OF OKW ENCLOSURES LTD AND IS TENDERED SUBJECT TO THE FOLLOWING CONDITIONS: THE INFORMATION BE RETAINED IN CONFIDENCE, NOT BE REPRODUCED OR COPIED, AND NOT BE USED OR INCORPORATED IN ANY PRODUCT, UNLESS PERMISSION IS OBTAINED IN WRITING FROM OKW ENCLOSURES LTD		Date drawn		Part Name		Sheet 1 of 1	
				January '07		Datamet Front Panel L		A1	

X-ON Electronics

Largest Supplier of Electrical and Electronic Components

Click to view similar products for [metcase](#) manufacturer:

Other Similar products are found below :

[M5501110](#) [M5623105F](#) [M5513110](#) [M5625305F](#) [M5725207](#) [M6019305](#) [M5506110](#) [M5700615](#) [M5700621](#) [M5505119](#)