

PANEL MOUNTED LOOP POWERED INDICATOR

DM720

- PUSH BUTTON PROGRAMMABLE
- COMPACT 48X24mm
- LOOP POWERED
- 4 DIGIT LED DISPLAY
- IP65 FRONT PANEL SEAL



INTRODUCTION

The DM720 is a compact panel mounted loop powered indicator that is designed to connect in series with a 4/20mA current loop and display the value in engineering units.

The DM720 is housed in a 48x24mm DIN standard panel mount case and provides 10mm high LED digits. The engineering range is programmed by using easily accessible push buttons. The design of the product means no external power supply is needed and it requires less than 5V from the current loop.

SPECIFICATIONS @ 23 °C

Input

Current Range	(4 to 20) mA
Resolution	0.01 mA
Input Impedance	10 Ω
Accuracy	$\pm(0.1\%$ of rdg +3 digits)
Temperature coefficient	100 ppm / °C
Warm up	5 minutes
Loop drop (4 to 20) mA	< 5V

Conversion

Technical	Single slope
Resolution	16 bits
Rate	62 / s

Display

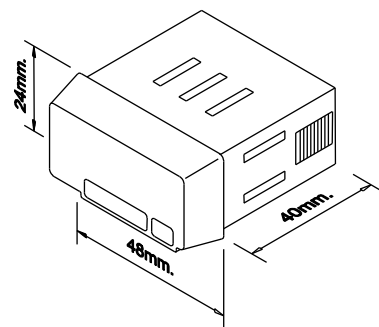
Range	-1999 to 9999
Type	4 red digits 10mm
Reading rate	2 / s
Overflow indication	00E

Environmental

Operating temperature	(-10 to +60) °C
Storage temperature	(-25 to +85) °C
Relative humidity (non condensed)	<95 % at 40 °C
Maximum altitude	2000 M
Panel sealing	IP65

Mechanical

Dimensions	48 x 24 x 40 mm
Panel cutout	22 x 45 mm
Weight	50 g
Case material	Polycarbonate s /UL 94 V-0



KEYBOARD DETAIL



ORDER CODE: DM720

X-ON Electronics

Largest Supplier of Electrical and Electronic Components

Click to view similar products for [status manufacturer](#):

Other Similar products are found below :

[DM650PMBG001620](#) [DM650HMCA162000](#) [DM670/PM/1/3](#) [DM3600U/S1](#) [SEM1605/P](#) [SEM1605/TC](#) [DM650HMCA162000](#) [DM670/TM/J](#)
[USB-CONFIG-MKII](#) [DM650HMBA001620](#) [SEM1630](#) [SEM1600F](#) [SEM1600VI](#) [SEM1000](#) [SEM206TC](#) [SEM1600B](#) [SEM206P](#)