

## UNIMET CASES

[Home Page](#)[E-Mail Us](#)[Catalogue PDF](#)[Get a Catalogue](#)[Get a Drawing](#)[Get a Price](#)[Get a Quote](#)[Customising](#)[IP Ratings](#)[Colour Chart](#)[Ordering Info](#)[Order Form](#)[Distributors](#)[☎ 01489 583858](#)[📠 01489 583836](#)**FEATURES:**

- Stylish aluminium instrument enclosures
- Robust and versatile design in six sizes
- With or without a tilt/swivel carry handle
- Die-cast front bezel is assembled to the folded aluminium case body
- Removable rear panel - recessed for protection of connectors, switches etc.
- Mounting holes in base for PCBs, chassis etc.
- Recessed aluminium front panels (accessory)
- Four non-slip rubber feet included
- Supplied pre-assembled

**MATERIAL:**

- Aluminium

**PROTECTION CLASS:**

- IP 40 (Not rated)

**STANDARD COLOURS:**

- Front bezel - window grey, RAL 7040
- Case body - light grey, RAL 7035 (powder polyester paint)

**SUPPLY:**

1. Top cover
2. Base panel
3. Front bezel
4. Rear panel
5. Carry handle bar
6. M3 x 8 mm (x4)
7. M4 x 16 mm (x4)
8. M3 x 6 mm (x4)
9. M3 x 8 mm (x4)
10. Rubber foot (x4)
11. 'FP' - Front panel kit
12. 'TF' - ABS case feet

**ACCESSORIES:**

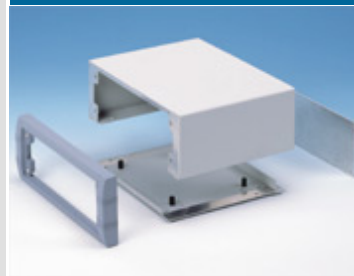
- Front panel kit
- Moulded feet & tilt feet
- PCB mounting pillars

**APPLICATIONS:**

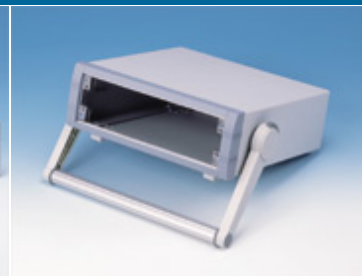
- Medical and wellness devices, test and measurement equipment, industrial control, peripheral devices and interfaces, switchboxes, communications and laboratory equipment.

[🔍 Handle Assembly Instructions](#)[📄 Printable Page](#)

Modern Instrument Cases



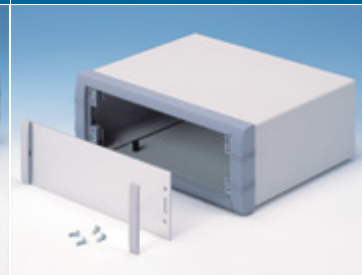
Robust Assembly



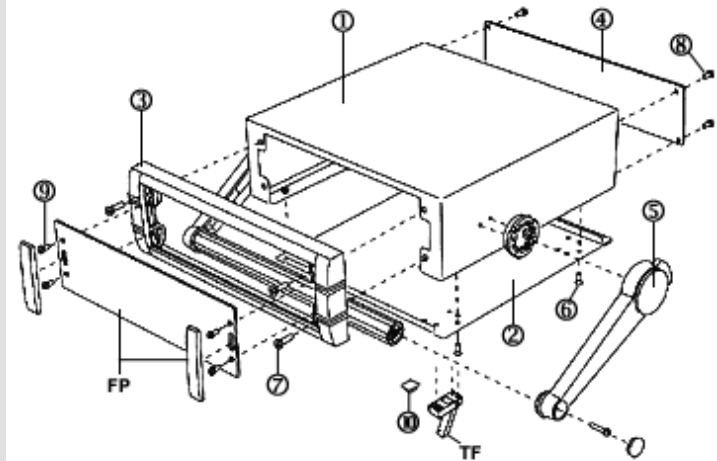
Handle Versions



Removable Rear Panels



Accessory Front Panels



**UNIMET**



Part No. Without Handle	Part No. With Handle*	Description	H	W	D	Drawings
M5623005	£	UNIMET 1	50	230	190	PDF
	M5623025	£ UNIMET 1H	50	230	190	PDF1 PDF2
M5623105	£	UNIMET 2	85	230	190	PDF
	M5623125	£ UNIMET 2H	85	230	190	PDF1 PDF2
M5625105	£	UNIMET 3	85	250	260	PDF
	M5625125	£ UNIMET 3H	85	250	260	PDF1 PDF2
M5635205	£	UNIMET 4	120	350	260	PDF
	M5635225	£ UNIMET 4H	120	350	260	PDF1 PDF2
M5625305	£	UNIMET 5	150	250	260	PDF
	M5625325	£ UNIMET 5H	150	250	260	PDF1 PDF2
M5635305	£	UNIMET 6	150	350	260	PDF
	M5635325	£ UNIMET 6H	150	350	260	PDF1 PDF2

DWG

**Notes:**  
 Order front panels separately  
 \* Handle versions - Supplied with two carry handle side arms, a handle bar extrusion and fixing kit

**ACCESSORIES**

For..	Part No. Front Panel Kit*	Part No. Moulded Tilt Feet Kit*	Part No. Moulded Feet Kit*	Part No. PCB Mounting Pillars Kit*	Drawings
UNIMET 1 & 1H	M5700607	£			PDF
UNIMET 2 & 2H	M5700608	£			PDF
UNIMET 3 & 3H	M5700613	£			PDF
UNIMET 4 & 4H	M5700620	£			PDF
UNIMET 5 & 5H	M5700616	£			PDF
UNIMET 6 & 6H	M5700621	£			PDF
All Models		M5600045	£		PDF
All Models			M5600015	£	PDF
All Models				M5600001	£ PDF

DWG

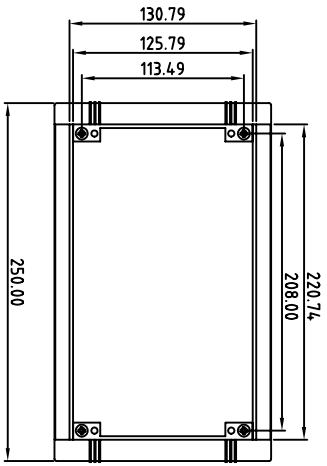
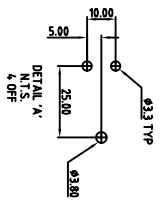
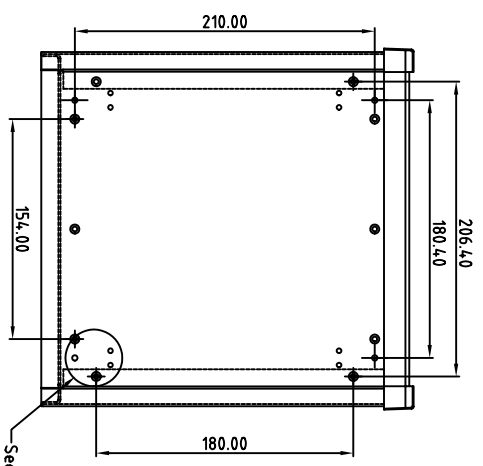
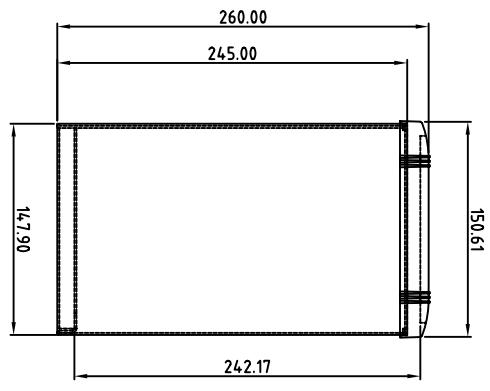
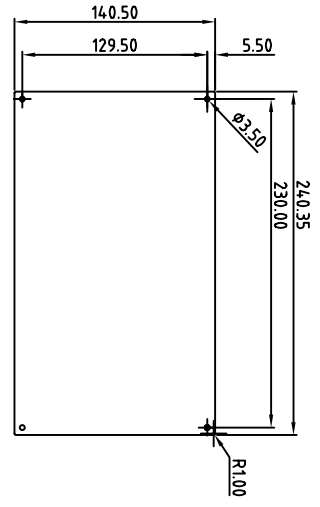
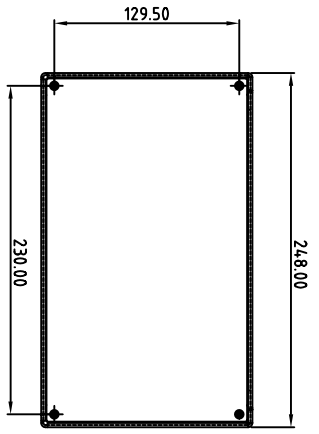
**Notes:**  
 \* Front Panel Kit - Anodised front panel + 2 clip-on ABS trims (fixing screws supplied with case)  
 \* Moulded Tilt Feet Kit - 4 foot mouldings, 2 tilt legs, 4 non-slip inserts, 4 fixing screws  
 \* Moulded Feet Kit - 4 foot mouldings, 4 non-slip inserts, 4 fixing screws  
 \* PCB Mounting Pillars Kit - 10 M3x10 mm moulded pillars, 10 M3 CSK fixing screws

[Printable Page](#)



### Customising

Tel: +44 1489 583858 Last Updated: 31-Oct-2007 ©METcase™ UK. All rights reserved.



Note: Subject to technical modifications without prior notice.  
 Typographical and other errors do not justify any claim for damages.  
 All dimensions should be verified using the actual case.

Tolerances unless otherwise stated:  
 General tolerances ±0.20  
 Resultant tolerances between hole centers ±0.15  
 Tolerances on hole diameters ±0.05  
 Angles ± 0.5°  
 Surface finish 32/

Required Finish:	Scale:	Checked By:	Drawing Number:	Part Name:	Material Spec:
	1:5	Ian Cox	M5625305	UNIMET 5	DO NOT SCALE

ALL DIMENSIONS IN MILLIMETRES	Date drawn:	Material Spec:
	August '05	

**METcase** METCASE ENCLOSURES  
 Unit 3, Mitchell Close  
 Segensworth East, Fareham,  
 Hampshire, PO15 5SE, UK.  
 www.metcase.com  
 Part Number: M5625305  
 Date drawn: August '05  
 Sheet 1 of 1  
 A4

OKW ENCLOSURES LTD. DATE AS SHOWN. THIS DRAWING CONTAINS PROPRIETARY INFORMATION OF OKW ENCLOSURES LTD AND IS TENDERED SUBJECT TO THE FOLLOWING CONDITIONS: THE INFORMATION BE RETAINED IN CONFIDENCE, NOT BE REPRODUCED OR COPIED, AND NOT BE USED OR INCORPORATED IN ANY PRODUCT, UNLESS PERMISSION IS OBTAINED IN WRITING FROM OKW ENCLOSURES LTD.

## **X-ON Electronics**

Largest Supplier of Electrical and Electronic Components

*Click to view similar products for [metcase](#) manufacturer:*

Other Similar products are found below :

[M5501110](#) [M5623105F](#) [M5513110](#) [M5625305F](#) [M5725207](#) [M6019305](#) [M5506110](#) [M5700615](#) [M5700621](#) [M5505119](#)