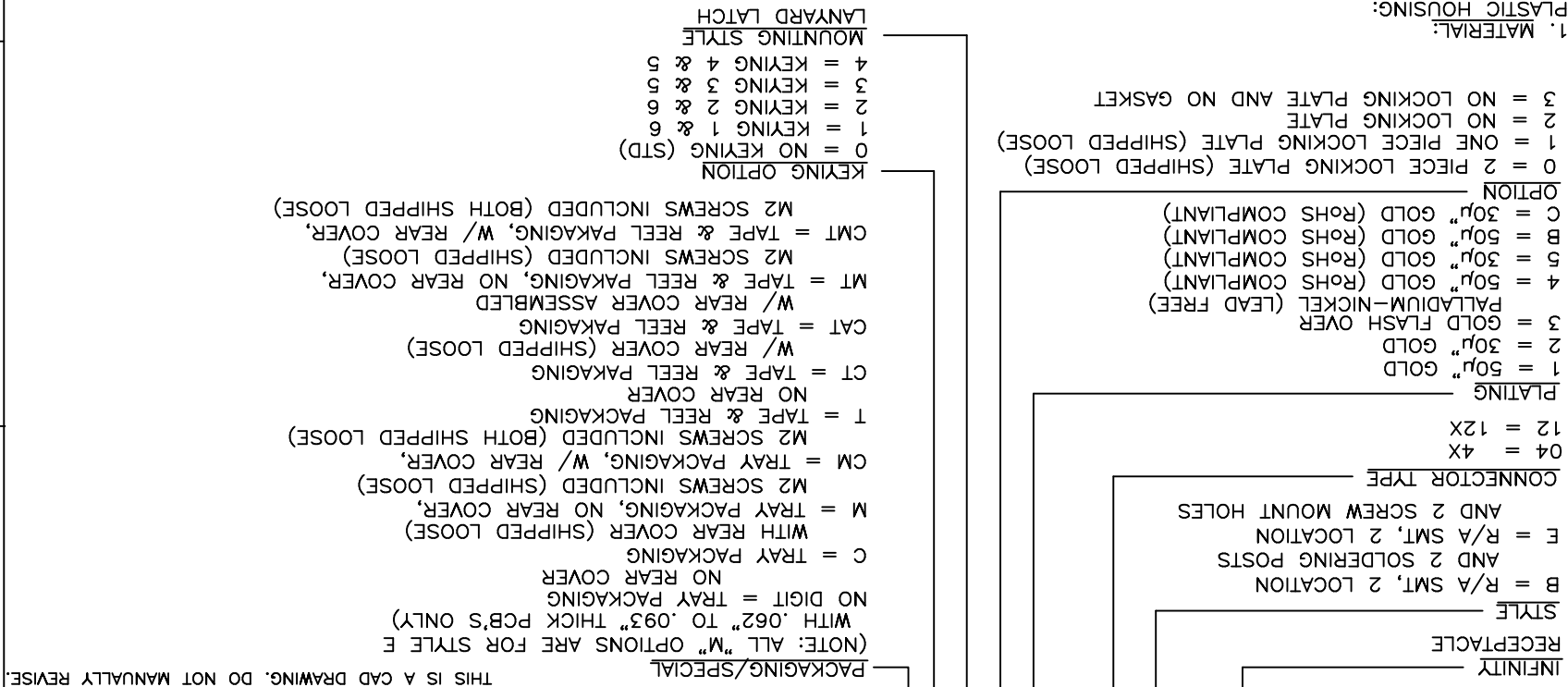


REVISIONS				
SYM	ZONE	Ecn, ERN NO.	DATE	APPRD.
F		NEW OPTION ADDED	JUN/11	Z.L.
E		PROPOSAL	APR/10	Z.L.

THIS IS A CAD DRAWING. DO NOT MANUALLY REVISE

AMPHENOL PART NUMBER CONFIGURATION:

U65 - X XX - X X X X X 1 X X X X



CONTACTS:
HIGH TEMPERATURE POLYMER, FLAMMABILITY RATING UL94V-0.

1. MATERIAL:
PLASTIC HOUSING:
PHOSPHOR BRONZE
PLATING OPTION 1 OR 2 (50µ" OR 30µ" GOLD): 50µ" [1.27 µm] OR 30µ" [0.76 µm] MIN. GOLD OVER 50µ" [1.27 µm] MIN. NICKEL ON CONTACT MATING SURFACES. 150µ" [3.81 µm] MIN. TIN-LEAD (90/10) OVER 50µ" [1.27 µm] MIN. NICKEL ON CONTACT TAILS.
PLATING OPTION 3 (GOLD FLASH OVER PALLADIUM-NICKEL): 2µ" [0.05 µm] MIN. GOLD OVER 25µ" [0.635 µm] MIN. PALLADIUM-NICKEL ON CONTACT MATING SURFACES. 0.3µ" [0.007 µm] MIN. GOLD OVER 1.2µ" [0.03 µm] MIN. PALLADIUM-NICKEL ON CONTACT TAILS. 50µ" [1.27 µm] MIN. NICKEL UNDER PLATING.
PLATING OPTION 4 OR 5 (ROHS) (50µ" OR 30µ" GOLD): 50µ" [1.27 µm] OR 30µ" [0.76 µm] MIN. GOLD OVER 50µ" [1.27 µm] MIN. NICKEL ON CONTACT MATING SURFACES. 2µ" [0.05 µm] MIN. GOLD OVER 50µ" [1.27 µm] MIN. NICKEL ON CONTACT TAILS.
PLATING OPTION B OR C (ROHS) (50µ" OR 30µ" GOLD): 50µ" [1.27 µm] OR 30µ" [0.76 µm] MIN. GOLD OVER 50µ" [1.27 µm] MIN. NICKEL ON CONTACT MATING SURFACES. 100-150µ" [2.54-3.81 µm] MATTE TIN OVER 50µ" [1.27 µm] MIN. NICKEL ON CONTACT TAILS.

2. TEMPERATURE RANGE: -40°C TO +85°C
METAL SHELL: DIE CASTING ALLOY
PLATING: 100µ" [2.54 µm] MIN. NICKEL OVER COPPER UNDER LAYER
GASKET: STAINLESS STEEL
LOCKING PLATE: STAINLESS STEEL
M2 SCREWS: STEEL WITH ZINC PLATING

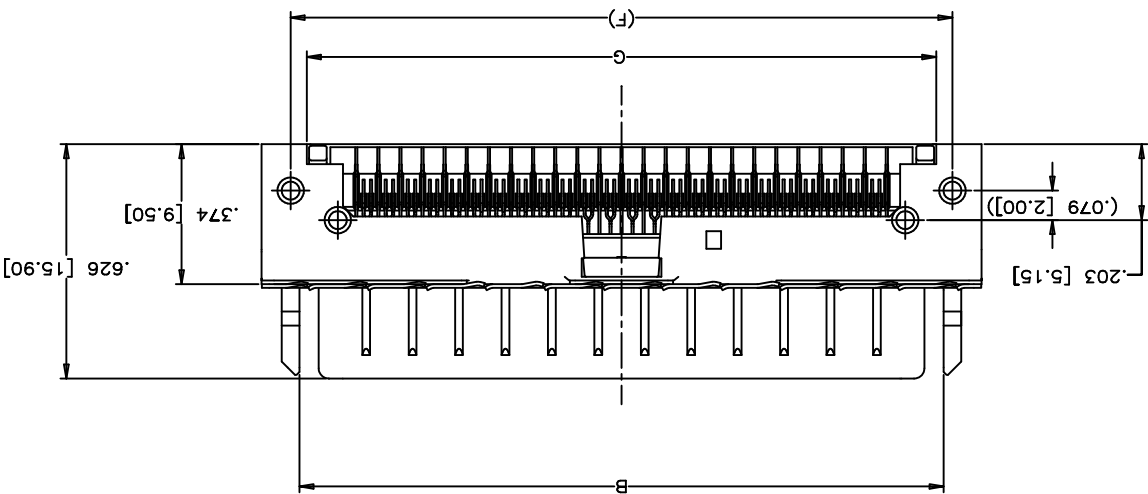
DATE	2005/09/16	M.LONG	DRAWN
DESIGNED	J.SI	2005/09/16	CHECKED
TITLE			
INFINITY 4X/12X RECEPTACLE, LANYARD STYLE, FIXED BOARD, RIGHT ANGLE SMT, LOCATING/SOLDERING POSTS			
REV.	F	DWG	A
DRAWING NO.		P-U65-XXX-XX1XXXX	
REF.			
ENG. REL. NO.			
DWG. APPRD.			
I. E. APPRD.			
D. A. APPRD.			
SCALE		2/1	
NO.		03554	
DIMENSIONS ARE IN		INCHES [mm]	
SHEET		1 OF 4	

Amphenol Canada Corp.

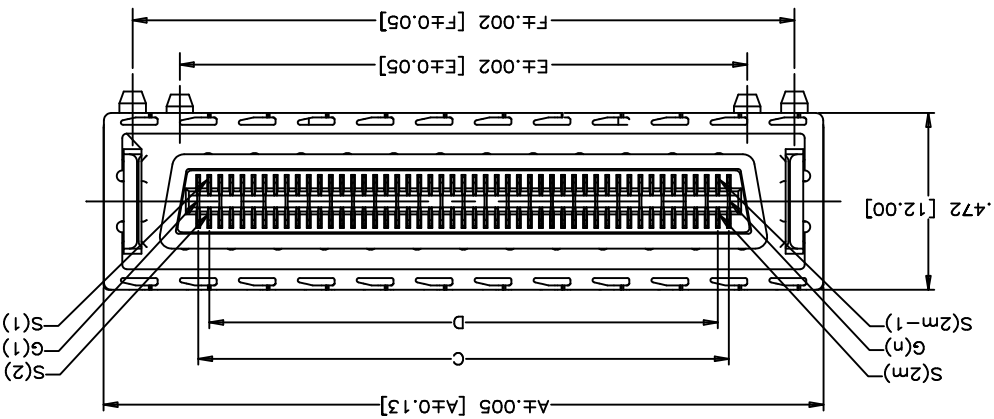
THIS DOCUMENT CONTAINS PROPRIETARY INFORMATION AND SUCH INFORMATION MAY NOT BE DISCLOSED TO OTHERS FOR ANY PURPOSE OR USED FOR MANUFACTURING PURPOSES WITHOUT WRITTEN PERMISSION FROM AMPHENOL CANADA CORP.

THIS DOCUMENT CONTAINS PROPRIETARY INFORMATION AND SUCH INFORMATION MAY NOT BE DISCLOSED TO OTHERS FOR ANY PURPOSE OR USED FOR MANUFACTURING PURPOSES WITHOUT WRITTEN PERMISSION FROM AMPHENOL CANADA CORP.

U65-BXX-XX1XXX
(LOCK PLATE REMOVED)



U65-BXX-XX1XXX
(LOCK PLATE REMOVED)

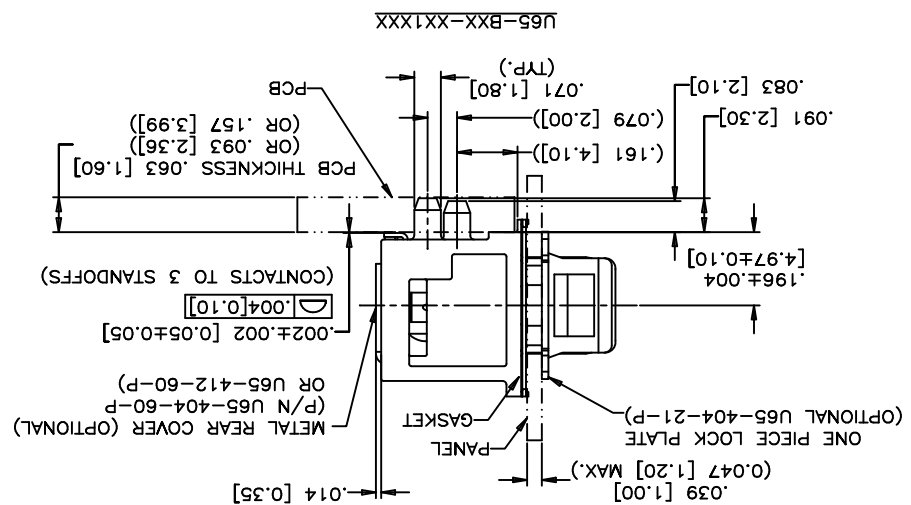


DIMENSION TABLE:

PART NUMBER	U65-X04-XX1XXX	U65-X12-XX1XXX
A	.978 [24.85]	1.923 [48.85]
B	.776 [19.70]	1.720 [43.70]
C	.472 [12.00]	1.417 [36.00]
D	.413 [10.50]	1.358 [34.50]
E	.571 [14.50]	1.516 [38.50]
F	.823 [20.90]	1.768 [44.90]
G	.736 [18.70]	1.681 [42.70]
H	.894 [22.70]	1.839 [46.70]
K	.776 [19.70]	1.720 [43.70]
m	m = 1 - 8	m = 1 - 24
n	n = 1 - 9	n = 1 - 25

** REFER TO [mm] AS PRIMARY DIMENSIONS.

DIMENSION TABLE:



REVISIONS

SYM	ZONE	ECN, ERN NO.	DATE	APPRD.
F		NEW OPTION ADDED	JUN16/11	Z.L.
E		PROPOSAL	APR16/10	Z.L.

THIS IS A CAD DRAWING. DO NOT MANUALLY REVISE.

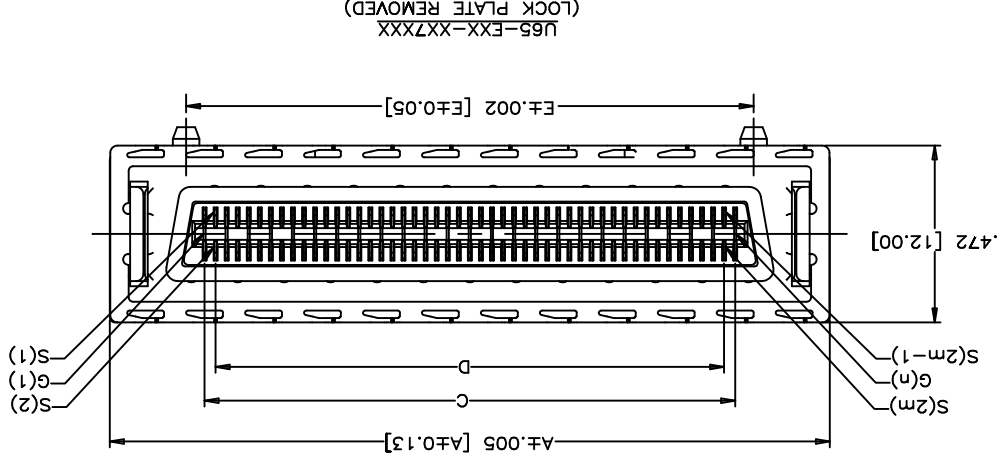
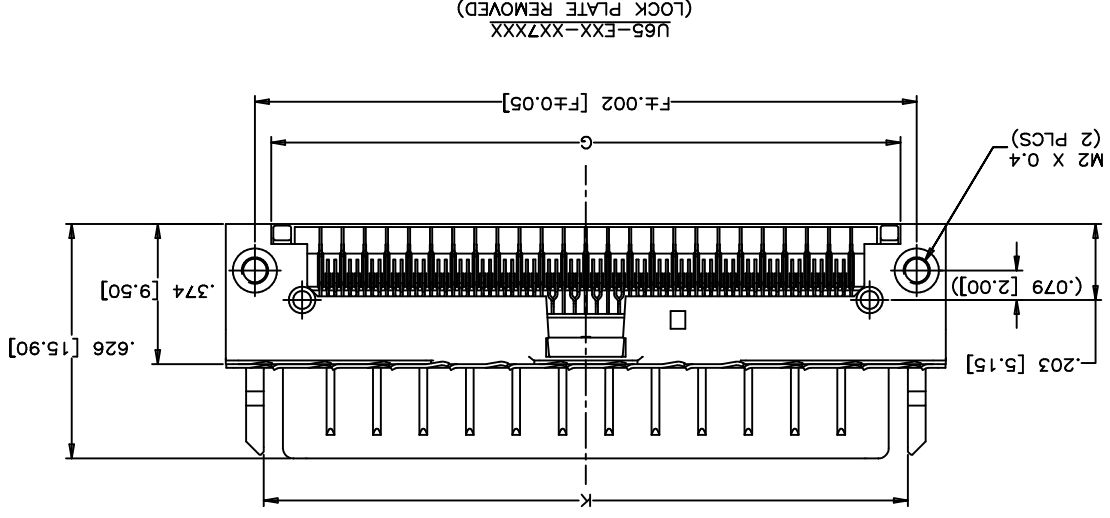
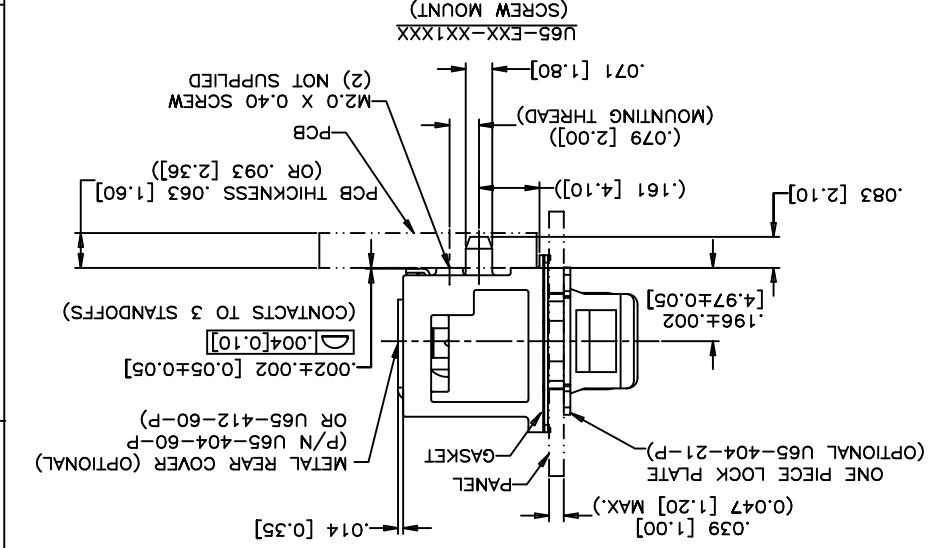
DATE	M.LONG	2005/09/16
DRAWN	M.LONG	2005/09/16
DESIGNED	J.SI	2005/01/07
CHECKED		
L. E. APPRD.		
D. A. APPRD.		
DWG. APPRD.		
ENG. REL. NO.		
REF.		
DWG	A	
DRAWING NO.	P-U65-XXX-XX1XXXX	F
SCALE	2/1	
WT.		
SURF.		
SHEET	2	OF 4

INCHES ARE IN DIMENSIONS ARE IN [mm]

AMPHENOL Canada Corp.

REVISIONS		DATE	ECN, ERN NO.	APPRD.
F	NEW OPTION ADDED	JUN16/11	Z.L.	
E	PROPOSAL	APR16/10	Z.L.	

THIS IS A CAD DRAWING. DO NOT MANUALLY REVISE.



DATE	M.LONG	2005/09/16
DRAWN	M.LONG	2005/09/16
DESIGNED	J.SI	2005/09/16
CHECKED		
L. E. APPRD.		
G. A. APPRD.		
DWG. APPRD.		
ENG. REL. NO.		
REF.		
DIMENSIONS ARE IN INCHES [mm]	03554	NO
SCALE	2/1	WT.
SURF.		
SHEET	3	OF 4

Amphenol Canada Corp.

TITLE
INFINITY 4X/12X RECEPTACLE, LANYARD
STYLE, FIXED BOARD, RIGHT ANGLE SMT,
LOCATING/SOLDERING POSTS

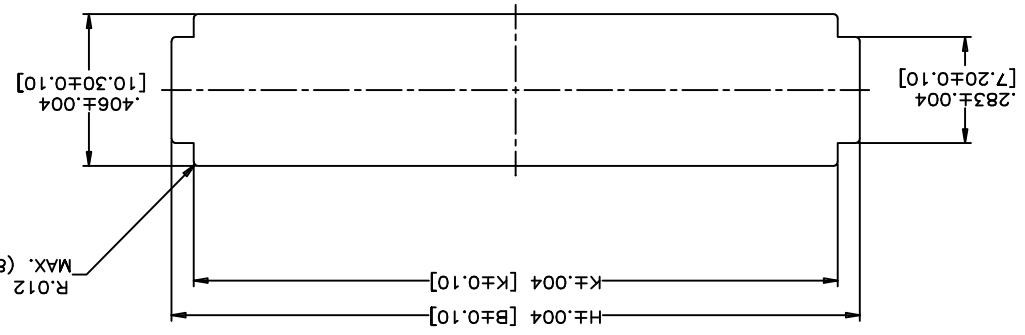
DWG. DRAWING NO. A
P-U65-XXX-XX1XXX

** REFER TO [mm] AS PRIMARY DIMENSIONS.

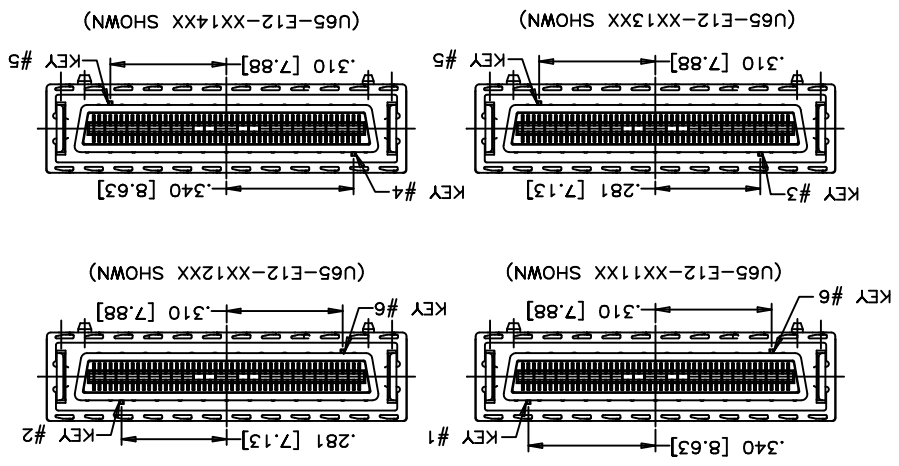
THIS DOCUMENT CONTAINS PROPRIETARY INFORMATION AND SUCH INFORMATION
MAY NOT BE DISCLOSED TO OTHERS FOR ANY PURPOSE OR USED FOR MANUFACTURING
PURPOSES WITHOUT WRITTEN PERMISSION FROM AMPHENOL CANADA CORP.

REVISIONS		
SYM ZONE	ECN, ERN NO.	DATE
F	NEW OPTION ADDED	JUN16/11
E	PROPOSAL	APR16/10

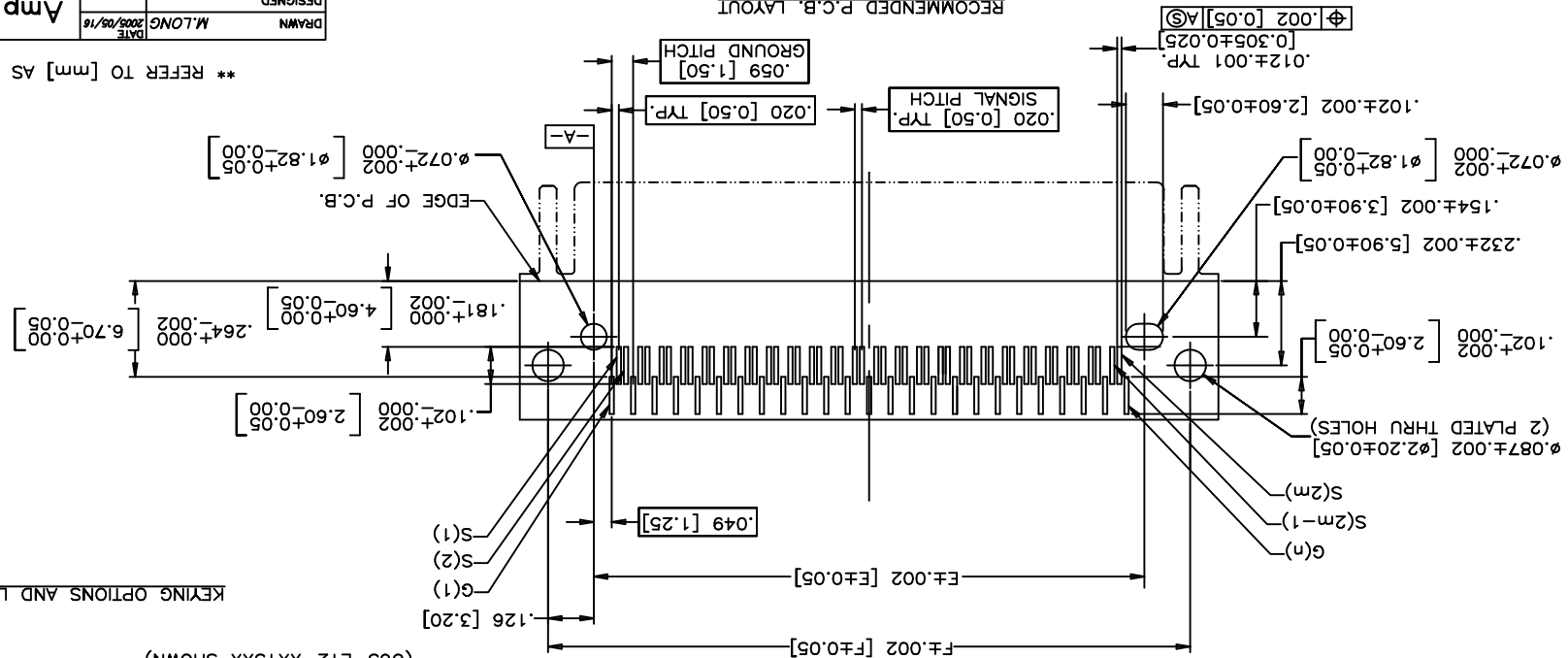
THIS IS A CAD DRAWING. DO NOT MANUALLY REVISE.



RECOMMENDED PANEL CUTOUT



KEYING OPTIONS AND LOCATIONS



RECOMMENDED P.C.B. LAYOUT
(COMPONENTS SIDE OF BOARD)

DATE	M.LONG	2005/09/16
DESIGNED	J.SI	2005/09/16
Amphenol Canada Corp.		
TITLE INFINITY 4X/12X RECEPTACLE, LANYARD STYLE, FIXED BOARD, RIGHT ANGLE SMT, LOCATING/SOLDERING POSTS		
DWG	A	P-U65-XXX-XX1XXXX
REV	F	

THIS DOCUMENT CONTAINS PROPRIETARY INFORMATION AND SUCH INFORMATION MAY NOT BE DISCLOSED TO OTHERS FOR ANY PURPOSE OR USED FOR MANUFACTURING PURPOSES WITHOUT WRITTEN PERMISSION FROM AMPHENOL CANADA CORP.

SCALE	2/1
DIMENSIONS ARE IN	INCHES [mm]
CODE ID. NO.	03554
REF.	
ENG. REL. NO.	
DWG. APPRD.	
D. A. APPRD.	
L. E. APPRD.	
CHECKED	J.SI
DATE	2005/09/16

** REFER TO [mm] AS PRIMARY DIMENSIONS.

X-ON Electronics

Largest Supplier of Electrical and Electronic Components

Click to view similar products for [I/O Connectors](#) category:

Click to view products by [Amphenol](#) manufacturer:

Other Similar products are found below :

[571763P](#) [58098-0628](#) [61-168618-12P](#) [D38999/20FJ24PA L/C](#) [D38999/20FJ29SB L/C](#) [D38999/24FG11SN L/C](#) [72.250.1628.2](#) [72.250.2428.2](#)
[74720-0505](#) [747680210](#) [76.350.0729.0](#) [76871-1403](#) [FCN-244F080-G/1](#) [FCN-260A9920](#) [FCN-268D024-G/2F#10X-R10](#) [MP-5T180MUNNA-](#)
[005](#) [MP-5XRJ45UNNB-003](#) [PCS-E50FA](#) [PCS-XE26LKA](#) [PCS-XE26MA+](#) [PCS-XES68MS+](#) [G38A71314B](#) [91-569719-35R](#) [9776-18-6](#)
[DX40-50P\(55\)](#) [1571250010](#) [157-22500-3](#) [MS3471L14-19P L/C](#) [MS3476W12-10S L/C](#) [171224-6031](#) [1888020-8](#) [91-569786-35H](#) [91-569786-](#)
[35M](#) [91-644626-35P](#) [172501-4002](#) [172501-6002](#) [FCN-260C008-A/L0](#) [FCN-260C024-AL0](#) [FCN-261Z008](#) [FCN-268D008-G/1K](#) [2000314-1](#)
[200331-1](#) [2007498-2](#) [PCR-E28LMDAG1+](#) [PCR-E36FC+](#) [PCS-E28FS+](#) [PCS-XE26SLFD+](#) [PCS-XE26SLFDT+](#) [G38A71214B](#) [HDRA-](#)
[E68W1LFDTC-SL+](#)