



Low Voltage Switches

Switches Switch-disconnectors



Switch-disconnector

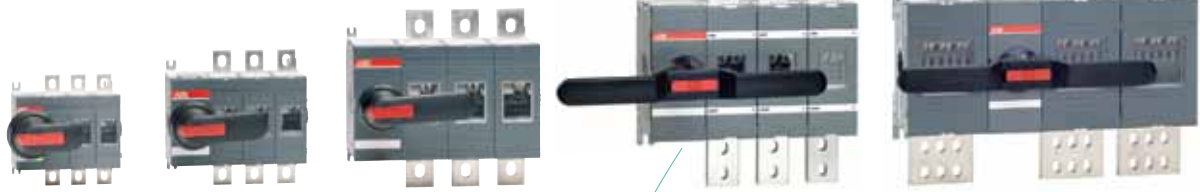
IEC



OT16F OT63F OT100F OT160E
 OT25F OT80F OT125F
 OT40F

lth /A
 le /AC22A, ≤ 415V
 le /AC23A, ≤ 415V

| | | | | | | | |
|----|----|----|----|----|-----|-----|-----|
| 25 | 32 | 40 | 63 | 80 | 115 | 125 | 200 |
| 16 | 25 | 40 | 63 | 80 | 100 | 125 | 160 |
| 16 | 20 | 23 | 45 | 75 | 80 | 90 | 135 |



OT200E OT315E OT630E OT1000_
 OT250E OT400E OT800E OT1250_
 OT1600_ OT2000_
 OT2500_

lth /A
 le /AC22A, ≤ 415V
 le /AC23A, ≤ 415V

| | | | | | | | | | | |
|-----|-----|-----|-----|-----|-----|------|------|------|------|------|
| 200 | 250 | 315 | 400 | 630 | 800 | 1000 | 1250 | 1600 | 2000 | 2500 |
| 200 | 250 | 315 | 400 | 630 | 800 | 1000 | 1250 | 1600 | 2000 | 2500 |
| 200 | 250 | 315 | 400 | 630 | 800 | 1000 | 1250 | 1250 | 2000 | 2500 |

UL / CSA



OT16F OT63F OT30F OT160E
 OT25F OT80F OT60F
 OT40F OT100F

Ampere rating/A

| | | | | | | | | |
|----|----|----|----|----|----|----|-----|-----|
| 20 | 30 | 40 | 60 | 80 | 30 | 60 | 100 | 100 |
|----|----|----|----|----|----|----|-----|-----|



OT200U OT400U OT600U OT800U
 OT1200U

Ampere rating/A

| | | | | |
|-----|-----|-----|-----|------|
| 200 | 400 | 600 | 800 | 1200 |
|-----|-----|-----|-----|------|



Accessories

- Optional handles
- Extended shafts
- Legend plates
- Auxiliary contacts
- Fourth poles
- N & PE terminals

- Terminal shrouds
- Connecting accessories
- Conversion kits
- Locking accessories
- Motor operators



Switch-disconnectors

OT 16...2500
OETL 3150

S 16...3150 A



OETL3150K

3150



OETL-NF1600
OETL-NF2000
1600 2000

Contents:

| | |
|--|--------------|
| Features | 4-5 |
| Technical data | 6-14 |
| Ordering information | 15-41 |
| Switch-disconnectors, base and DIN-rail mounting | 15 |
| Switch-disconnectors, base mounting | 16-19 |
| Switch-disconnectors, door mounting..... | 19 |
| Switch-disconnectors, side operated, earthing switches | 20 |
| UL/CSA Non-fusible disconnect switches..... | 21 |
| Accessories, selection overview | 22-23 |
| Optional handles | 24-28 |
| Legend plates and handle accessories..... | 29 |
| Extended shafts and shaft accessories | 30-31 |
| Auxiliary contacts and mounting accessories..... | 32-33 |
| Fourth poles, neutral and earth terminals, neutral links | 34 |
| Terminal shrouds | 35 |
| Phase separators and connecting accessories | 36-37 |
| Conversion kits | 38-39 |
| Locking and mounting accessories and motor operator | 40 |
| Mechanism interlock kits and electrical interlock | 41 |
| Dimension drawings | 42-62 |
| Contact functions | 63-64 |
| Index | 65-72 |

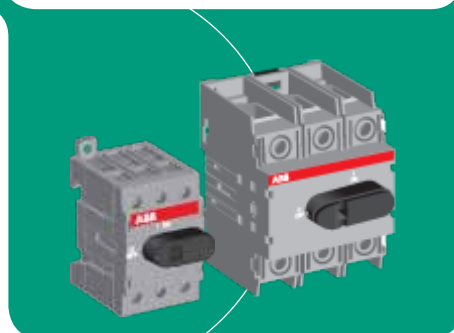
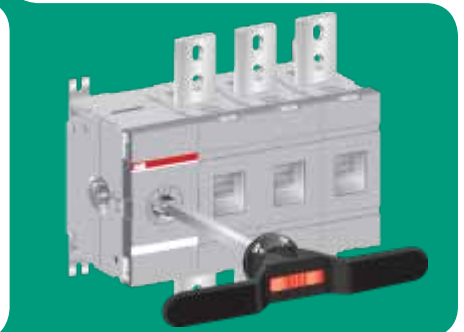
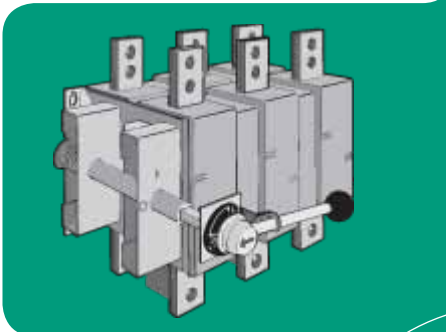
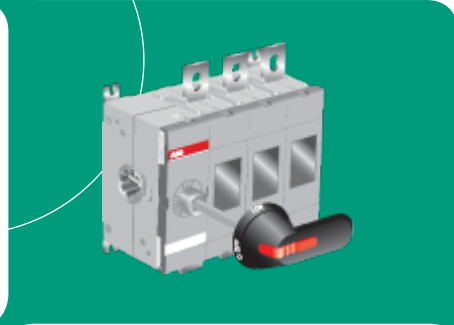
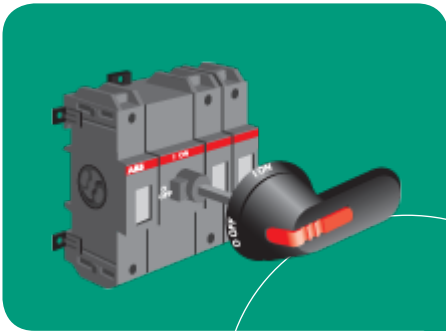


Enhanced range of switch-disconnectors

From 16 to 3150 A, 690 V

The switch-disconnectors are suitable for diverse applications, in motor control centers, in switchboards and as main switches in various equipment and machines. From single to 8-poles front operated switches with pistol handle or direct mounted handle. For installation in enclosures, side operated switches, switches with wide phase distance and combination switches for change-over, bypass, reversing etc.

- Mountable on DIN rails or base plates and on the door, both by snap-on and screw fitting
- Snap-on mounting of accessories



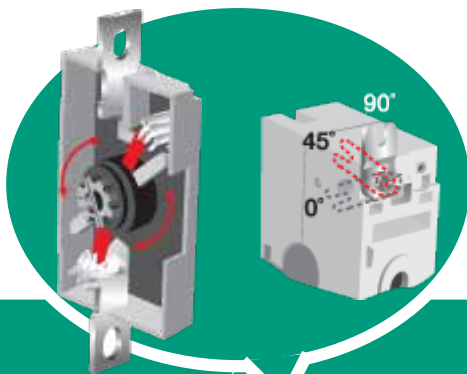
The most compact disconnect (isolation) solution



Optimally designed, the OT switch-disconnector offers an advanced and compact solution, providing you with added value.

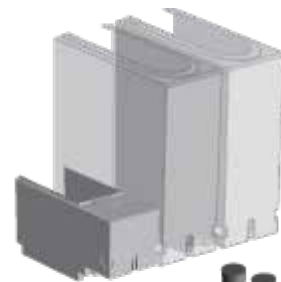
- The new double-sided spring construction in combination with fewer components made an innovative and compact design of the operation mechanism possible.
- The uniquely short current path enabled a small-sized contact construction.

High performance despite the small size



The powerful new construction, with its quick-make and quick-break operation features and two contact points instead of one, adds value to and enhances the performance of the switch-disconnectors.

- The OT range offers you improved power ratings, the highest on the market. Full I_{th} ratings can be used both in open air and in enclosures, without having to derate or enlarge the box.
- User-friendly and flexible, the OT switch-disconnector provides you with full AC-23A current ratings for all the voltages, even up to 690 V.



The OT switch-disconnector is easy to use and a snap to install according to your choice: horizontally or vertically - even in the ceiling! The adjustable mounting feet allow both top and side mounting of the switch. ABB's switch-disconnector range meets disconnect and isolation requirements more effectively than ever, maximizing the benefits and optimizing your use of assets.



Switch-disconnectors OT 16...160

Technical data

Technical data according to IEC 60947-3

| | | Size | A | 16 | 25 |
|--|---|-------------------------|-----------------|---------|---------|
| | | Switch type | | OT16_ | OT25_ |
| Rated insulation voltage and rated operational voltage AC20/DC20 | Pollution degree 3 | | V | 750 | 750 |
| Dielectric strength | | 50 Hz 1min. | kV | 6 | 6 |
| Rated impulse withstand voltage | | | kV | 8 | 8 |
| Rated thermal current and rated operational current AC20/DC20 | ambient 40°C ³⁾ | In open air | A | 25 | 32 |
| | ambient 40°C ³⁾ | In enclosure | A | 25 | 32 |
| | ambient 60°C | In enclosure | A | 20 | 25 |
| ..with minimum conductor cross section | | Cu | mm ² | 4 | 6 |
| Rated operational current, AC-21A | | up to 415 V | A | 16 | 25 |
| | | 440 - 690 V | A | 16 | 25 |
| Rated operational current, AC-22A | | up to 415 V | A | 16 | 25 |
| | | 440 - 500 V | A | 16 | 25 |
| | | 690 V | A | 16 | 25 |
| Rated operational current, AC-23A | | up to 415 V | A | 16 | 20 |
| | | 440 V | A | 16 | 20 |
| | | 500 V | A | 16 | 20 |
| | | 690 V | A | 10 | 11 |
| Rated operational current / poles in series, DC-21A | | 24 - 48 V ¹⁾ | A | 16/1 | 25/1 |
| | | 110 V | A | 16/2 | 25/2 |
| | | 220 V | A | 16/3 | 25/3 |
| | | 440 V | A | 16/4 | 16/4 |
| | | 500 V | A | 16/4 | 16/4 |
| | | 750 V | A | 16/8 | 25/8 |
| Rated operational current / poles in series, DC-22A | | 24 - 48 V ¹⁾ | A | 16/1 | 25/1 |
| | | 110 V | A | 16/2 | 25/2 |
| | | 220 V | A | 16/3 | 25/3 |
| | | 440 V | A | 10/4 | 10/4 |
| | | 750 V | A | 16/8 | 25/8 |
| Rated operational current / poles in series, DC-23A | | 24 - 48 V ¹⁾ | A | 16/1 | 25/1 |
| | | 110 V | A | 16/2 | 25/2 |
| | | 220 V | A | 16/4 | 25/4 |
| | | 440 V | A | 10/4 | 10/4 |
| | | 750 V | A | 16/8 | 16/8 |
| Rated operational power, AC-23A (These values are given for guidance and may vary acc. to the motor manufacturer) | | 220-240 V | kW | 3 | 4 |
| | | 400-415 V | kW | 7.5 | 9 |
| | | 440 V | kW | 7.5 | 9 |
| | | 500 V | kW | 7.5 | 9 |
| | | 690 V | kW | 7.5 | 9 |
| Rated breaking capacity, AC-23A | | up to 415 V | A | 128 | 160 |
| | | 440 V | A | 128 | 160 |
| | | 500 V | A | 128 | 160 |
| | | 690 V | A | 80 | 88 |
| Rated breaking capacity/poles in series, DC-23A | | 24 - 48 V | A | 64/1 | 100/1 |
| | | 110 V | A | 64/2 | 100/2 |
| | | 220 V | A | 64/3 | 100/4 |
| | | 440 V | A | 40/4 | 40/4 |
| | | 750 V | A | 64/8 | 64/8 |
| Rated conditional short-circuit current I _p (r.m.s.) and corresponding max. allowed cut-off current \hat{i}_c | I _p (r.m.s.) | 50 kA | kA | 6.5 | 6.5 |
| | Max. OFA_ fuse size gG/aM | ≤ 415 V | A | 40/32 | 40/32 |
| | I _p (r.m.s.) | 100 kA | kA | | |
| | Max. OFA_ fuse size gG/aM | ≤ 500 V | A | | |
| The cut-off current \hat{i}_c refers to values listed by fuse manufacturers (single phase test acc. to IEC60269) | I _p (r.m.s.) | 10 kA | kA | | |
| | Max. OFA_ fuse size gG/aM | ≤ 690 V | A | | |
| | I _p (r.m.s.) | 50 kA | kA | 4 | 4 |
| | Max. OFA_ fuse size gG/aM | ≤ 690 V | A | 25/16 | 25/16 |
| Rated short-time withstand current | r.m.s. -value I _{cw} | 690V, 0.25 s | kA | | |
| | r.m.s. -value I _{cm} | 690V, 1s | kA | 0.5 | 0.5 |
| Rated short circuit making capacity | Peak value I _{cm} | 690V/500V | kA | 0.705 | 0.705 |
| Rated capacitor power (The capacitor ratings are limited by the fuse link.) | | 400 - 415 V | kVAr | 6.5 | 10 |
| Power loss / pole | At rated operational current | | W | 0.3 | 0.6 |
| Mechanical endurance | Divide by two for operation cycles | | Oper. | 20 000 | 20 000 |
| Weight without accessories | 3-pole | | kg | 0.11 | 0.11 |
| | 4-pole | | kg | 0.15 | 0.15 |
| Cable size | Cu-wire size suitable for terminal clamps | | mm ² | 0.75-10 | 0.75-10 |
| | | | AWG | 18-8 | 18-8 |
| Terminal tightening torque | Counter torque required | | Nm | 0.8 | 0.8 |
| Operating torque | 3-pole switch-disconnector | | Nm | 1 | 1 |

¹⁾ Below 48 V, two poles in parallel up to OT 80 are recommended particularly in polluted atmosphere

²⁾ 200A/min. 95 mm², use busbar connections OEZXX6/13 or OZXT2

³⁾ Acc. to IEC 60947-1, § 6.1.1.



Switch-disconnectors OT 16...160

Technical data

| 40 OT40_ | 63 OT63_ | 80 OT80_ | 100 OT100_ | 125 OT125_ | 160 OT160_ |
|--|--------------------------------------|--------------------------------------|----------------------------|----------------------------|--|
| 750 6 8 | 750 6 8 | 750 6 8 | 750 6 8 | 750 6 8 | 750 10 12 |
| 40 40 32 10 | 63 63 50 16 | 80 80 63 25 | 115 115 80 35 | 125 125 100 50 | 200 160 125 70 |
| 40 40 | 63 63 | 80 80 | 100 100 | 125 125 | 200 ²⁾ 160 |
| 40 40 40 | 63 63 63 | 80 80 80 | 100 100 100 | 125 125 125 | 200 ²⁾ 160 160 |
| 23 23 23 12 | 63 63 45 20 | 75 65 58 20 | 80 65 60 40 | 90 78 70 50 | 135 125 125 80 |
| 32/1 32/2 32/3 16/4 16/4 32/8 | 63/1 63/2 63/4 16/4 16/4 | 80/1 80/2 80/4 16/4 16/4 | 100/1 100/2 100/4 | 125/1 125/2 125/4 | 160/1 160/1 160/2 160/3 125/3 160/4 |
| 32/1 32/2 32/4 10/4 25/8 | 63/1 63/2 45/4 10/4 | 80/1 80/2 45/4 10/4 | 100/1 100/2 63/4 | 125/1 125/2 80/4 | 160/1 160/1 160/2 160/3 |
| 32/1 32/2 32/4 10/4 16/8 | 63/1 63/2 45/4 10/4 | 80/1 80/2 45/4 10/4 | 100/1 100/2 63/4 | 125/1 125/2 63/4 | 160/1 160/1 160/2 160/3 |
| 5.5 11 11 11 11 | 11 22 22 22 15 | 22 37 37 37 18.5 | 22 37 37 37 37 | 22 45 45 45 45 | 45 75 75 75 75 |
| 184 184 184 96 | 360 360 360 160 | 640 448 464 160 | 640 520 480 320 | 720 624 560 400 | 1 080 1 000 1 000 640 |
| 128/1 128/2 128/4 40/4 64/8 | 180/1 180/2 180/4 40/4 | 252/1 252/2 180/4 40/4 | 400/1 400/2 252/4 | 500/1 500/2 252/4 | 640/1 640/1 640/2 640/3 |
| 6.5 40/32 | 13 100/80 | 13 100/80 | 16.5 125/125 | 16.5 125/125 | |
| | 17 100/80 | 17 100/80 | | | 30 200/250 |
| | | | 8.2 125/100 | 8.2 125/100 | |
| 4 25/16 | 11 80/63 | 11 80/63 | 10 63/63 | 10 63/63 | 24 200/250 |
| 0.5 0.705 | 1 1.4 | 1.5 2.1 | 2.5 3.6 | 2.5 3.6 | 7 4 12 |
| 15 1.6 20 000 | 25 2.8 20 000 | 30 4.5 20 000 | 40 4.0 20 000 | 50 6.3 20 000 | 65 6.5 20 000 |
| 0.11 0.15 | 0.27 0.35 | 0.27 0.35 | 0.36 0.50 | 0.36 0.50 | 1.1 1.3 |
| 0.75-10 18-8 | 1.5-35 14-4 | 1.5-35 14-4 | 10-70 8-00 | 10-70 8-00 | 10-70 8-00 |
| 0.8 1 | 2 1.2 | 2 1.2 | 6 2 | 6 2 | 6 6 |



Switch-disconnectors OT 200..800

Technical data

Technical data according to IEC 60947-3

| | | Size | A |
|---|---------------------------------------|------------------------|-------|
| | | Switch type | |
| Rated insulation voltage and rated operational voltage AC-20, DC-20 | Pollution degree 3 | 50 Hz 1min. | V |
| Dielectric strength | | | kV |
| Rated impulse withstand voltage | | | kV |
| Rated thermal current and rated operational current AC-20, DC-20 in ambient 40 °C ⁴⁾ | In open air In enclosure | Cu | A |
| ...with minimum cable cross section | | | A |
| Rated operational current, AC-21A | | ≤ 500 V | A |
| | | 690 V | A |
| | | 1000 V | A |
| Rated operational current, AC-22A | | ≤ 500 V | A |
| | | 690 V | A |
| | | 1000 V | A |
| Rated operational current, AC-23A | | ≤ 500 V | A |
| | | 690 V | A |
| | | 1000 V | A |
| Rated operational current / poles in series, DC-21A...23A ¹⁾ | | 24 - 110 V | A |
| | | 220 V | A |
| | | 440 V | A |
| | | 660 V | A |
| Rated operational current / poles in series, DC-21B | | 800 V | A |
| | | 1000 V | A |
| Rated operational power, AC-23 ²⁾ | | 230 V | kW |
| | | 400 V | kW |
| | | 415 V | kW |
| | | 500 V | kW |
| | | 690 V | kW |
| Rated breaking capacity in category AC-23 | | ≤ 500 V | A |
| | | 690 V | A |
| Rated conditional short-circuit current I_p (r.m.s.) and corresponding max. allowed cut-off current i_c | I_p (r.m.s.) Max. OFA_ fuse size | 100 kA, 500 V gG/aM | kA |
| | | | A |
| The cut-off current i_c refers to values listed by fuse manufacturers (single phase test acc. to IEC60269). | I_p (r.m.s.) Max. OFA_ fuse size | 80 kA, 690 V gG/aM | kA |
| | | | A |
| Rated short-time withstand current | r.m.s. value I_{cw} | ≤ 1000 V 0,15s | kA |
| | | ≤ 1000 V 0,25s | kA |
| | | ≤ 1000 V 1s | kA |
| Rated short-time making capacity | Peak value I_{cm} | ≤ 1000 V | kA |
| Rated capacitor power | The capacitor ratings | 415 V | kVAr |
| When no initial charge on the capacitor | are limited by | 500 V | kVAr |
| | the fuse links | 690 V | kVAr |
| Power loss / pole | With rated current | | W |
| Mechanical endurance | Divide by two for oper. cycles | | Oper. |
| Weight without accessories | 3-pole switch | | kg |
| Terminal bolt size | Metric thread diameter x length | | mm |
| Terminal tightening torque | Counter torque required | | Nm |
| Operating torque | 3-pole switch disconnector | | Nm |

¹⁾ Further ratings on request

²⁾ Category B

³⁾ These values are given for guidance and may vary acc. to the motor manufacturer.

⁴⁾ Acc. to IEC 60947-1, § 6.1.1.

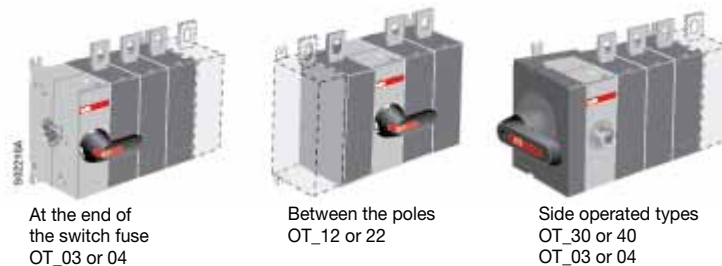


Switch-disconnectors OT 200..800

Technical data

| 200 OT200E | 250 OT250 | 315 OT315 | 400 OT400 | 630 OT630 | 800 OT800 |
|----------------------------------|--|--|--|--|--|
| 1 000 10 12 | 1 000 10 12 | 1 000 10 12 | 1 000 10 12 | 1 000 10 12 | 1 000 10 12 |
| 200 200 95 | 250 250 120 | 315 315 185 | 400 400 240 | 630 630 2x185 | 800 800 2x240 |
| 200 200 200 | 250 250 250 | 315 315 315 | 400 400 400 | 630 630 630 | 800 800 800 |
| 200 200 200 | 250 250 250 | 315 315 315 | 400 400 400 | 630 630 630 | 800 800 800 |
| 200 200 135 | 250 250 135 | 315 315 200 | 400 400 200 | 630 630 400 | 800 800 400 |
| 200/2 200/2 200/3 200/4 | 250/2 250/2 250/3 230/4 ²⁾ | 315/1 ²⁾ 315/2 ²⁾ 315/3 315/4 | 400/1 ²⁾ 400/2 ²⁾ 360/3 360/4 | 630/1 630/1 630/2 630/4 ²⁾ | 800/1 800/1 800/2 650/4 ²⁾ |
| 200/5 200/6 | 250/5 250/6 | 315/5 315/6 | 400/5 400/6 | 600/5 600/6 | 600/5 600/6 |
| 60 110 110 132 200 | 75 140 145 170 250 | 100 160 180 220 315 | 132 220 230 280 400 | 200 355 355 400 630 | 250 450 450 560 800 |
| 1 600 1 600 | 2 000 2 000 | 2 520 2 520 | 3 200 3 200 | 5 040 5 040 | 6 400 6 400 |
| 40.5 315/315 | 40.5 315/315 | 61.5 500/450 | 61.5 500/450 | 90 800/1 000 | 90 800/1 000 |
| 40.5 355/315 | 40.5 355/315 | 59 500/500 | 59 500/500 | 83.5 800/1 000 | 83.5 800/1 000 |
| 15 15 8 30 | 15 15 8 30 | 31 24 15 65 | 31 24 15 65 | 38 36 20 80 | 38 36 20 80 |
| 100 120 160 | 115 135 190 | 145 175 250 | 180 215 325 | 250 300 450 | 310 375 550 |
| 4 | 6.5 | 6.5 | 10 | 25 | 40 |
| 20 000 | 20 000 | 16 000 | 16 000 | 10 000 | 10 000 |
| 1.2 | 1.2 | 2.2 | 2.2 | 5.2 | 5.2 |
| M8x25 15-22 7 | M8x25 15-22 7 | M10x30 30-44 16 | M10x30 30-44 16 | M12x40 50-75 27 | M12x40 50-75 27 |

Placing options of the operating mechanism





Switch-disconnectors OT 1000...2500 and OETL 1250...3150

Technical data

Technical data according to IEC 60947-3

| | | Size | A |
|--|--|---|----------------------|
| | | Switch type | |
| Rated insulation voltage and rated operational voltage AC20/DC20 | Pollution degree 3 | | V |
| Dielectric strength | | 50 Hz 1min. | kV |
| Rated impulse withstand voltage | | | kV |
| Rated thermal current and rated operational current AC20/DC20 | ambient 40°C ⁵⁾ ambient 40°C ⁶⁾ ambient 60°C | In open air In enclosure In enclosure | A A A |
| ...with minimum conductor cross section | Cu | | mm ² |
| Rated operational current, AC-21A | | up to 690 V 1000 V | A A |
| Rated operational current, AC-22A | | up to 500 V 690 V | A A |
| Rated operational current, AC-23A | | up to 500 V 690 V | A A |
| Rated operational current / poles in series, DC-21A | | 24 - 48 V 110 V 220 V | A A A |
| Rated operational power, AC-23A (These values are given for guidance and may vary acc. to the motor manufacturer) | | 400-415 V 440 V 500 V 690 V | kW kW kW kW |
| Rated breaking capacity, AC-23A | | up to 500 V 690 V | A A |
| Rated conditional short-circuit current I_p (r.m.s.) and corresponding max. allowed cut-off current \hat{I}_c | I_p (r.m.s.) Max. OFA fuse size gG/aM | 80 kA ≤ 415 V | kA A |
| The cut-off current \hat{I}_c refers to values listed by fuse manufacturers (single phase test acc. to IEC60269) | I_p (r.m.s.) Max. OFA fuse size gG/aM | 100 kA ≤ 500 V | kA A |
| Rated short-time withstand current | I_p (r.m.s.) Max. OFA fuse size gG/aM | 50 kA ≤ 690 V | kA A |
| Rated short-time withstand current | r.m.s. -value I_{cw} | 690 V 0.25s 690 V 1s | kA kA |
| Rated short circuit making capacity | Peak value I_{cm} | 415 V 500 V 690 V | kA kA kA |
| | Max. distance from switch frame to nearest busbar/cable support | | mm |
| Rated capacitor power | The capacitor ratings | 415 V | kVAr |
| When no initial charge on the capacitor | are limited by the fuse links | 500 V 690 V | kVAr kVAr |
| Power loss / pole | At rated operational current | | W |
| Mechanical endurance | Divide by two for operation cycles | | Oper. |
| Weight without accessories | 3-pole 4-pole | | kg kg |
| Terminal bolt size | Metric thread diameter x length | | mm |
| Terminal tightening torque | Counter torque required | | Nm |
| Operating torque | 3-pole switch-disconnector | | Nm |

¹⁾ Extended phase distance (185 mm)

²⁾ IEC 947-3, utilization category B, infrequent operation

³⁾ Pf. 0.95

⁴⁾ Pf. 0.65

⁵⁾ Maximum distance between busbar support and switch terminal 70 mm.

⁶⁾ 690 V: 2500 A

⁷⁾ The value is 92 kA for 4-pole switch-disconnectors.



Switch-disconnectors OT 1000...2500 and OETL 1250...3150

Technical data

| 1000 OT1000 | 1250 OT1250 | 1600 OT1600 | 1250 OETL1250M | 2000 OT2000 | 2500 OT2500 | 3150 OETL3150 |
|----------------------------|----------------------------|----------------------------|--------------------------------------|--|--|---|
| 1 000 10 12 | 1 000 10 12 | 1 000 10 12 | 1 000 8 8 | 1 000 10 12 | 1 000 10 12 | 1 000 8 8 |
| 1 000 1 000 | 1 250 1 250 | 1 600 1 600 | 1 250 1 250 1 000 | 2 000 | 2 500 | 3 150 2 600 2 300 |
| 2x300 | 2x400 | 2x500 | 2x(80x5) | 3x500 | 4x500 | 3x(100x10) |
| 1 000 1 000 | 1 250 1 250 | 1 600 1 600 | 1 250 1 000 | 2 000 ²⁾ | 2 500 ²⁾ | 3 150 ^{2) 6)} 1 000 ²⁾ |
| 1 000 1 000 | 1 250 1 250 | 1 600 1 600 | 1 250 | 2 000 ^{2) 9)} 2 000 ^{2) 9)} | 2 500 ^{2) 9)} 2 500 ^{2) 9)} | 1 600 ²⁾ |
| 1 000 1 000 | 1 250 1 250 | 1 250 1 250 | 800 1 250/1 1 250/2 1 250/3 | | | |
| 560 630 710 1 000 | 710 800 900 1 200 | 710 800 900 1 200 | 400 400 450 | | | |
| 10 000 10 000 | 10 000 10 000 | 10 000 10 000 | 6 400 2 500 ³⁾ | | | 6 400 4 800 ⁴⁾ |
| 100 1 250/1 250 | 100 1 250/1 250 | 100 1 250/1 250 | 105 | | | 140 |
| 106 1 250/1 250 | 106 1 250/1 250 | 106 1 250/1 250 | 105 | | | 140 |
| | | | 105 | | | 105 |
| 50 50 | 50 50 | 50 50 | 56 ⁵⁾ 50 ⁵⁾ | 80 55 | 80 55 | 80 ⁵⁾ |
| | | | 105 105 105 | | | 176 ¹⁾ 140 105 |
| 110 ⁷⁾ | 110 ⁷⁾ | 110 ⁷⁾ | | 176 | 176 | |
| 150 460 550 750 | 150 575 690 950 | 150 575 690 950 | | 150 | 150 | |
| 19 6 000 | 29 6 000 | 48 6 000 | 40 6 000 | 55 6 000 | 85 6 000 | 140 1 200 |
| 14.1 18 | 14.1 18 | 15.2 19.5 | 16.3 20.5 | 22 28 | 22 28 | 37 47 |
| M12x50 | M12x50 | M12x60 | M12x60 | M12x60 | M12x60 | M12x60 |
| 50...75 65 | 50...75 65 | 50...75 65 | 50...75 24 | 50-75 65 | 50-75 65 | 50...75 50 |

⁸⁾ Acc. to IEC60947-1, § 6.1.1.

⁹⁾ Phase barriers or terminal shrouds must be used on both sides of the switch at voltages ≥ 500 V.



Non fusible disconnect switches OT 16...600

Technical data

| | | | A | 20 OT16 | 30 OT25 |
|-------------------------|--|--|----------------------------|----------------------------|----------------------------|
| Size Switch type | | | 2 pole 3 pole 4 pole | UL508 & IEC UL508 & IEC | UL508 & IEC UL508 & IEC |
| Approvals ¹⁾ | | | | | |

Technical data according to UL/CSA AC ratings

| | | | A | 20 | 30 |
|--|------------------------------|-------------------------|----------------------|----------------------------|--------------------------------|
| General purpose amp rating | pf= 0.7...0.8 | -40° to 40 °C | A | 20 | 30 |
| Max. operating voltage | | | V | 600 | 600 |
| Max. horsepower rating /motor FLA current | pf= 0.4...0.5 Three phase | 240 V 480 V 600 V | HP/A HP/A HP/A | 5/15.2 10/14.0 15/17 | 7.5/22.0 15/21.0 20/22.0 |
| | Single phase | 120 V 240 V | HP/A HP/A | 1/16.0 2/13.2 | 1.5/20.0 3/18.7 |
| Short circuit rating with fuse | Maximum fuse size | | A | 30 | 30 |
| | Fuse type | CC | kA | 10 | 10 |
| | Fuse type | J | kA | 10 | 10 |
| | Fuse type | T | kA | 10 | 10 |
| | Fuse type | RK1 | kA | 10 | 10 |
| | Fuse type | RK5 | kA | 5 | 5 |
| | Fuse type | L H | kA kA | | |

Maximum General Use DC ratings

| | | | A | 20 | 30 |
|---|--|---|---------------------|----|----|
| Current rating | | at 250VDC at 600VDC | A A | | |
| DC horsepower rating for 4-pole switch | | at 600VDC | HP | | |
| DC horsepower rating for 2-pole switch | | at 125VDC at 250VDC | HP HP | | |
| DC short circuit rating for 4-pole switch | | with circuit breaker | kA | | |
| DC short circuit rating for 2-pole switch | | with circuit breaker at 250VDC with circuit breaker at 600VDC with Calss J fuse at 250VDC ... with fuse size | kA kA kA A | | |

Endurances

| | | | oper. cycles operations | 6 000 20 000 | 6 000 20 000 |
|---|---------------------------------|--|----------------------------|-----------------|-----------------|
| Min. electrical endurance, pf. 0,75 - 0,8 | | | | | |
| Mechanical endurance | | | | | |
| Terminal lug kits | | | integral | integral | |
| Wire range | | | AWG | 18-8 | 18-8 |
| Torque | Wire tightening Lug mounting | | lg. in. | 7 | 7 |

Technical data according to IEC 60947-3

| | | | A | 20 | 30 |
|--|--|--|------------------|----------------------|----------------------|
| Rated insulation voltage and rated operational voltage AC20/DC20 | Pollution degree 3 | | V | 750 | 750 |
| Dielectric strength | | 50 Hz 1min. | kV | 6 | 6 |
| Rated impulse withstand voltage | | | kV | 8 | 8 |
| Rated operational current, AC-22A | | up to 415 V 440 - 500 V 690 V | A A A | 16 16 16 | 25 25 25 |
| Rated operational current, AC-23A | | up to 415 V 440 V 500 V 690 V | A A A A | 16 16 16 10 | 20 20 20 11 |
| Rated conditional short-circuit current I_p (r.m.s.) and corresponding max. allowed cut-off current \hat{I}_c | I_p (r.m.s.) Max. OFA_fuse size gG/aM | 50 kA 415 V | kA A | 6.5 40/32 | 6.5 40/32 |
| The cut-off current \hat{I}_c refers to values listed by fuse manufacturers (single phase test acc. to IEC60269) | I_p (r.m.s.) Max. OFA_fuse size gG/aM | 10 kA 690 V | kA A | | |
| | I_p (r.m.s.) Max. OFA_fuse size gG/aM | 50 kA 690 V | kA A | 4 25/16 | 4 25/16 |
| | at prospective SC-current | 80 kA | kA | | |
| | Max. OFA_fuse size gG/aM | 690 V | A | | |
| Rated short-time withstand current | r.m.s. -value I_{cw} | 690V, 1s | kA | 0.5 | 0.5 |
| Rated short circuit making capacity | Peak value I_{cm} | 690V/500V | kA | 0.705 | 0.705 |
| Power loss / pole | | At rated operational current | W | 0.3 | 0.6 |
| Mechanical endurance | | Divide by two for operation cycles | Oper. | 20 000 | 20 000 |
| Weight without accessories | | 3-pole 4-pole | kg kg | 0.11 0.15 | 0.11 0.15 |

¹⁾ UL Listed switches are also CSA Approved

²⁾ Fuse size 70A for RK5

³⁾ 200A/min. 95 mm², use busbar connections OEZXX16/13 or OZXT2



Non fusible disconnect switches OT 16...600

Technical data

| 40 OT40_ | | 60 OT63_ | | 80 OT80_ | | 30 OT30_ | | 60 OT60 | | 100 OT100_ | | 100 OT160_ | | 200 OT200_U | | 400 OT400_U | | 600 OT600_U | |
|-------------------------------|------------------|-------------------------------|-----|-------------------------------|-----|-------------------------------|-----|-------------------------------|-----|-------------------------------|-----|---|-----|---|-----|---|-----|---|--|
| UL508 & IEC UL508 & IEC | | UL508 & IEC UL508 & IEC | | UL508 & IEC UL508 & IEC | | UL 98 & IEC UL 98 & IEC | | UL 98 & IEC UL 98 & IEC | | UL 98 & IEC UL 98 & IEC | | UL 98 & IEC UL 98 & IEC UL 98 & IEC | | UL 98 & IEC UL 98 & IEC UL 98 & IEC | | UL 98 & IEC UL 98 & IEC UL 98 & IEC | | UL 98 & IEC UL 98 & IEC UL 98 & IEC | |
| 40 600 | | 60 600 | | 80 600 | | 30 600 | | 60 600 | | 100 600 | | 100 600 | | 200 600 | | 400 600 | | 600 600 | |
| 10/28.0 20/27.0 25/27.0 | | 15/42.0 30/40.0 30/32.0 | | 20/54.0 40/52.0 40/41.0 | | 10/28.0 20/27.0 30/32.0 | | 20/54.0 40/52.0 40/41.0 | | 30/80.0 50/65.0 50/52.0 | | 40/104.0 75/96.0 100/99.0 | | 75/192.0 150/180.0 200/192.0 | | 125/312.0 250/302.0 350/336.0 | | 200/480.0 450/515.0 500/472.0 | |
| 2/24.0 5/30.8 | | 2/24.0 7.5/40.0 | | 2/24.0 10/57.5 | | 2/24.0 5/28.0 | | 3/34.0 7.5/40.0 | | 5/56.0 15/68.0 | | 7.5/80.0 20/88.0 | | | | | | | |
| 30 | 60 ²⁾ | 100 | 150 | 100 | 150 | 60 | 150 | 150 | 200 | 200 | 400 | 600 | 600 | 800 | | | | | |
| 10 | 10 | 100 | | 100 | | 50 | 50 | 50 | 100 | 200 | 65 | 100 | | | | | | | |
| 10 | 10 | 100 | | 100 | | 50 | 50 | 50 | | | | | | | | | | | |
| 5 | 5 | 10 | 5 | 10 | 5 | | | | | | | | | | | | 100 | 100 | |
| | | | 5 | | 5 | | | | | | | | | | | | | | |
| | | | | | | | | | | | | | | 200 | 400 | 600 | 600 | 800 | |
| | | | | | | | | | | | | | | 100 | 200 | 200 | 200 | 200 | |
| | | | | | | | | | | | | | | 50 | 50 | - | - | - | |
| | | | | | | | | | | | | | | 20 | 40 | - | - | - | |
| | | | | | | | | | | | | | | - | 50 | 50 | 50 | 50 | |
| | | | | | | | | | | | | | | 10 | 10 | 10 | 10 | 10 | |
| | | | | | | | | | | | | | | 14 | 14 | 18 | 18 | 18 | |
| | | | | | | | | | | | | | | 10 | 10 | 10 | 10 | 10 | |
| | | | | | | | | | | | | | | 100 | 100 | 100 | 100 | 100 | |
| | | | | | | | | | | | | | | 200 | 400 | 600 | 600 | 600 | |
| 6 000 20 000 | | 6 000 20 000 | | 6 000 20 000 | | 6 000 20 000 | | 6 000 20 000 | | 6 000 20 000 | | 6 000 20 000 | | 6 000 20 000 | | 1 000 16 000 | | 1 000 10 000 | |
| integral 18-8 | | integral 14-4 | | integral 14-4 | | integral 14-4 | | integral 14-4 | | integral 8-1/0 | | integral 8-1/0 | | OZXA-200 4-300MCM | | OZXA-400 2-600MCM | | OZXA-800 2x2-600MCM | |
| 7 | | 18 | | 18 | | 55 | | 55 | | 55 | | 70 | | 275 72 | | 375 240 | | 500 480 | |
| 750 | | 750 | | 750 | | 750 | | 750 | | 750 | | 750 | | 1 000 | | 1 000 | | 1 000 | |
| 6 | | 6 | | 6 | | 6 | | 6 | | 6 | | 10 | | 10 | | 10 | | 10 | |
| 8 | | 8 | | 8 | | 8 | | 8 | | 8 | | 12 | | 12 | | 12 | | 12 | |
| 40 | | 63 | | 80 | | 40 | | 63 | | 100 | | 200 ³⁾ | | 250 | | 400 | | 800 | |
| 40 | | 63 | | 80 | | 40 | | 63 | | 100 | | 160 | | 250 | | 400 | | 800 | |
| 40 | | 63 | | 80 | | 40 | | 63 | | 100 | | 160 | | 250 | | 400 | | 800 | |
| 23 | | 45 | | 75 | | 40 | | 63 | | 80 | | 135 | | 250 | | 400 | | 800 | |
| 23 | | 45 | | 65 | | 40 | | 63 | | 65 | | 125 | | 250 | | 400 | | 800 | |
| 23 | | 45 | | 58 | | 40 | | 63 | | 60 | | 125 | | 250 | | 400 | | 800 | |
| 12 | | 20 | | 20 | | 40 | | 40 | | 40 | | 80 | | 250 | | 400 | | 800 | |
| 6.5 40/32 | | 13 100/80 | | 13 100/80 | | 16.5 125/125 | | 16.5 125/125 | | 16.5 125/125 | | | | | | | | | |
| | | | | | | 8.2 125/100 | | 8.2 125/100 | | 8.2 125/100 | | | | | | | | | |
| 4 25/16 | | 11 80/63 | | 11 80/63 | | 10 63/63 | | 10 63/63 | | 10 63/63 | | 24 200/250 | | 35 355/315 | | 50.5 500/500 | | 71.5 800/1 000 | |
| | | | | | | | | | | | | | | 40.5 355/315 | | 59 500/500 | | 83.5 800/1 000 | |
| 0.5 | | 1 | | 1.5 | | 2.5 | | 2.5 | | 2.5 | | 4 | | 8 | | 15 | | 20 | |
| 0.705 | | 1.4 | | 2.1 | | 3.6 | | 3.6 | | 3.6 | | 12 | | 30 | | 65 | | 80 | |
| 1.6 | | 2.8 | | 4.5 | | 0.7 | | 1.6 | | 4.0 | | 6.5 | | 6.5 | | 10 | | 40 | |
| 20 000 | | 20 000 | | 20 000 | | 20 000 | | 20 000 | | 20 000 | | 20 000 | | 20 000 | | 16 000 | | 10 000 | |
| 0.11 | | 0.27 | | 0.27 | | 0.36 | | 0.36 | | 0.36 | | 1.1 | | 1.2 | | 2.2 | | 5.2 | |
| 0.15 | | 0.35 | | 0.35 | | 0.50 | | 0.50 | | 0.50 | | 1.3 | | 1.5 | | 2.8 | | 6.4 | |



Non fusible disconnect switches OT 800...1200 and OETL-NF 1600...2000

Technical data

| Size Switch type | A | 800 OT800U | 1200 OT1200U | 1600 OETL -NF1600P | 2000 OETL -NF2000P |
|-------------------------|----------------------------|----------------------------|----------------------------|-----------------------------------|-----------------------------------|
| Approvals ¹⁾ | 2 pole 3 pole 4 pole | UL 98 & IEC UL 98 & IEC | UL 98 & IEC UL 98 & IEC | UL 98 & IEC UL 98 & IEC IEC | UL 98 & IEC UL 98 & IEC IEC |

Technical data according to UL/CSA

AC Ratings

| | | | A | 800 | 1200 | 1600 | 2000 |
|---|------------------------------|-------------------------|----------------------|-------------------------------|------|------|------|
| General purpose amp rating | pf= 0.7...0.8 | -40° to 40 °C | A | 800 | 1200 | 1600 | 2000 |
| Max. operating voltage | | | V | 600 | 600 | 600 | 480 |
| Max. horsepower rating /max. motor FLA current | pf= 0.4...0.5 Three phase | 240 V 480 V 600 V | HP/A HP/A HP/A | 200/602 500/590 500/472 | | | |
| Short circuit rating with fuse | Fuse type | L | kA | 100 | 100 | 100 | 100 |
| Maximum fuse size | | | A | 800 | 1200 | 2000 | 2000 |

Endurances

| | | | | | | | |
|---|-----------------|--|----------------------------|------------|------------|------------|------------|
| Min. electrical endurance, pf. 0.75 - 0,8 | | | oper. cycles operations | 500 | 500 | 500 | 500 |
| Mechanical endurance | | | | 6 000 | 6 000 | 4 000 | 4 000 |
| Terminal lug kits | | | | OZXA-800 | OZXA-1200 | OZXA28 | OZXA28/2 |
| Wire range | | | AWG | 2x2-600MCM | 4x2-600MCM | 4x2-600MCM | 8x2-600MCM |
| Torque | Wire tightening | | lb. in. | 500 | 500 | 375 | 375 |
| | Lug mounting | | lb.in. | 480 | 450-670 | 230 | 230 |

Technical data according to IEC 60947

| | | | | | | | |
|--|--|----------------|---------|-------------------|-------------------|------------------|--------------------|
| Rated insulation voltage and rated operational voltage AC20/DC20 | Pollution degree 3 | | V | 1000 | 1000 | 1000 | 1000 |
| Dielectric strength | 50 Hz 1min. | | kV | 10 | 10 | 8 | 8 |
| Rated impulse withstand voltage | | | kV | 12 | 12 | 8 | 8 |
| Rated operational current, AC-22A | up to 415 V | | A | 1600 | 1600 | 1600 | 1600 ³⁾ |
| | 440 - 500 V | | A | 1600 | 1600 | 1600 | 1600 ³⁾ |
| | 690 V | | A | 1600 | 1600 | | |
| Rated operational current, AC-23A | up to 415 V | | A | 1250 | 1250 | 800 | |
| | 440 V | | A | 1250 | 1250 | 800 | |
| | 500 V | | A | 1250 | 1250 | 800 | |
| | 690 V | | A | 1250 | 1250 | | |
| Rated conditional short-circuit current I_p (r.m.s.) and corresponding max. allowed cut-off current \hat{I}_c | I_p (r.m.s.) Max. OFA_fuse size gG/aM | 50 kA 415 V | kA A | | | 105 | 140 |
| | I_p (r.m.s.) Max. OFA_fuse size gG/aM | 50 kA 500 V | kA A | | | 105 | 140 |
| The cut-off current \hat{I}_c refers to values listed by fuse manufacturers (single phase test acc. to IEC60269) | I_p (r.m.s.) Max. OFA_fuse size gG/aM | 50 kA 690 V | kA A | | | 105 | 105 |
| Rated short-time withstand current | R.M.S. -value I_{cw} | 690V 1s | kA | 50 | 50 | 50 ²⁾ | 80 ³⁾ |
| Rated short circuit making capacity | Peak value I_{cm} | 500/690 V | kA | 110 ⁴⁾ | 110 ⁴⁾ | 105 | 140/105 |
| Power loss / pole | At rated operational current | | W | 29 | 48 | 67 | 90 |
| Weight without accessories | 3-pole | | kg | 15.2 | 15.2 | 17.5 | 37 |
| | 4-pole | | kg | 19.5 | 19.5 | 22.5 | 47 |
| Terminal bolt size | Metric thread diameter x length | | mm | M12x50 | M12x60 | M12x60 | M12x60 |

¹⁾ UL Listed switches are also CSA Approved

²⁾ Max. distance between busbar support and switch terminal 70 mm.

³⁾ IEC60947-3 category B

⁴⁾ The value is 92 kA for 4-pole switch disconnecter

Front operated switch-disconnectors

Types OT 16...125 include protected terminal clamps, IP 20.
The type and the ordering numbers are for one piece.

| Number of [A] | I _{th} (open) [mm ²] | Cable cross section AC22A/AC23A | Rated operat. currents 400V [A/A] | Type | Order number | batch | Delivery unit [pcs] | Weight/ poles [kg] |
|---------------|---|---------------------------------|-----------------------------------|-----------------------|-----------------|-------|---------------------|--------------------|
| 3 | 25 | 0.75...10 | 16 / 16 | OT16F3 | 1SCA104811R1001 | | 10 | 0.11 |
| 4 | 25 | 0.75...10 | 16 / 16 | OT16F4N2 | 1SCA104829R1001 | | 10 | 0.14 |
| 3 | 32 | 0.75...10 | 25 / 20 | OT25F3 | 1SCA104857R1001 | | 10 | 0.11 |
| 4 | 32 | 0.75...10 | 25 / 20 | OT25F4N2 | 1SCA104886R1001 | | 10 | 0.14 |
| 3 | 40 | 0.75...10 | 40 / 23 | OT40F3 | 1SCA104902R1001 | | 10 | 0.11 |
| 4 | 40 | 0.75...10 | 40 / 23 | OT40F4N2 | 1SCA104932R1001 | | 10 | 0.14 |
| 3 | 63 | 1.5...35 | 63 / 45 | OT63F3 | 1SCA105332R1001 | | 10 | 0.27 |
| 4 | 63 | 1.5...35 | 63 / 45 | OT63F4N2 | 1SCA105365R1001 | | 10 | 0.30 |
| 3 | 80 | 1.5...35 | 80 / 75 | OT80F3 | 1SCA105798R1001 | | 10 | 0.27 |
| 4 | 80 | 1.5...35 | 80 / 75 | OT80F4N2 | 1SCA105413R1001 | | 10 | 0.30 |
| 3 | 115 | 10...70 | 100 / 80 | OT100F3 | 1SCA105004R1001 | | 10 | 0.36 |
| 4 | 115 | 10...70 | 100 / 80 | OT100F4N2 | 1SCA105018R1001 | | 10 | 0.50 |
| 3 | 125 | 10...70 | 125 / 90 | OT125F3 | 1SCA105033R1001 | | 10 | 0.36 |
| 4 | 125 | 10...70 | 125 / 90 | OT125F4N2 | 1SCA105051R1001 | | 10 | 0.50 |
| 3 | 200 | | 200 ¹⁾ /135 | OT160E3 ²⁾ | 1SCA022257R5950 | | 1 | 1.2 |
| 4 | 200 | | 200 ¹⁾ /135 | OT160E4 ²⁾ | 1SCA022259R8060 | | 1 | 1.4 |
| 3 | 200 | | 200 ¹⁾ /135 | OT160E3-2 | 1SCA022297R4060 | | 1 | 1.0 |

Shafts and handles included as standard

| Suitable for switches | Included shaft | Included handle |
|-----------------------|----------------|-----------------|
| OT160E3, _E4 | OXF6X210 | OHB65J6 |

Front operated, 6- and 8-pole switch-disconnectors

Including protected terminal clamps, IP 20.

| Number of poles | I _{th} (open) [A] | Cable cross section [mm ²] | Operational currents AC22/AC23 400V [A/A] | Type | Order number | Units/ type [pcs] | Weight/ unit [kg] |
|-----------------|----------------------------|--|---|---------|-----------------|-------------------|-------------------|
| 6 | 25 | 0.75...10 | 16/16 | OT16F6 | 1SCA104834R1001 | 1 | 0.25 |
| 6 | 32 | 0.75...10 | 25/20 | OT25F6 | 1SCA104880R1001 | 1 | 0.25 |
| 6 | 40 | 0.75...10 | 40/23 | OT40F6 | 1SCA104936R1001 | 1 | 0.25 |
| 6 | 63 | 1.5...35 | 63/45 | OT63F6 | 1SCA105379R1001 | 1 | 0.61 |
| 6 | 80 | 1.5...35 | 80/75 | OT80F6 | 1SCA105427R1001 | 1 | 0.61 |
| 6 | 115 | 10...70 | 100/80 | OT100F6 | 1SCA105021R1001 | 1 | 0.81 |
| 6 | 125 | 10...70 | 125/90 | OT125F6 | 1SCA105057R1001 | 1 | 0.81 |
| 8 | 25 | 0.75...10 | 16/16 | OT16F8 | 1SCA104836R1001 | 1 | 0.31 |
| 8 | 32 | 0.75...10 | 25/20 | OT25F8 | 1SCA104882R1001 | 1 | 0.31 |
| 8 | 40 | 0.75...10 | 40/23 | OT40F8 | 1SCA104938R1001 | 1 | 0.31 |
| 8 | 63 | 1.5...35 | 63/45 | OT63F8 | 1SCA105381R1001 | 1 | 0.67 |
| 8 | 80 | 1.5...35 | 80/75 | OT80F8 | 1SCA105429R1001 | 1 | 0.67 |
| 8 | 115 | 10...70 | 100/80 | OT100F8 | 1SCA105022R1001 | 1 | 1.1 |
| 8 | 125 | 10...70 | 125/90 | OT125F8 | 1SCA105059R1001 | 1 | 1.1 |

¹⁾ 200A/min. 95 mm², use busbar connections OEZXX6/13 or OZXT2
²⁾ Handle and shaft included

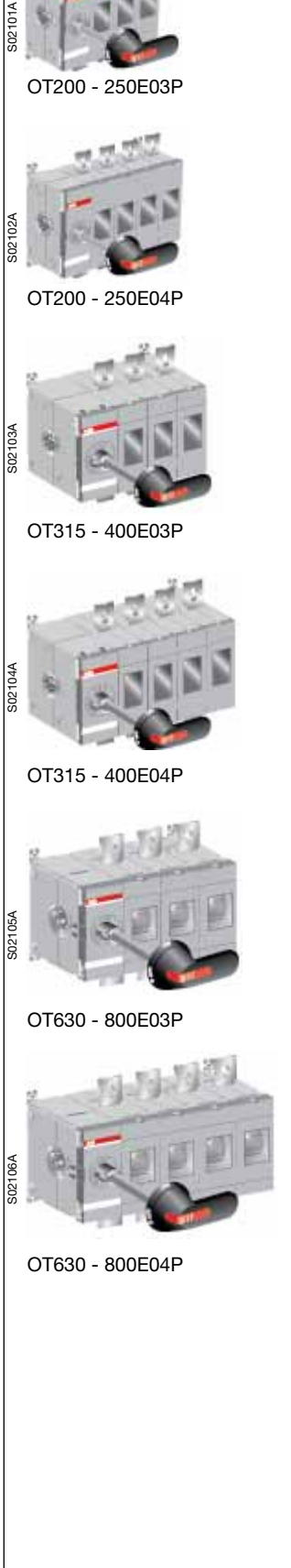


Switch-disconnectors, base mounting

Ordering information

Front operated switch-disconnectors, with pistol handle

Including a black ON-OFF plastic handle and shaft as standard. The handle is IP65 protected, padlockable in the OFF-position and with door interlock in the ON-position. The shaft is adjustable for a range of installation depths.



| Number of poles | I_n (open) [A] | Rated operat. currents AC22A/AC23A 400V [A/A] | Type | Order number | Units/type [pcs] | Weight/unit [kg] |
|-------------------|------------------|---|-------------|-----------------|------------------|------------------|
| 3 | 200 | 200/200 | OT200E03P | 1SCA022712R0800 | 1 | 1.6 |
| 4 | 200 | 200/200 | OT200E04P | 1SCA022713R4930 | 1 | 2.0 |
| 3 | 200 | 200/200 | OT200E12P | 1SCA022721R3990 | 1 | 1.6 |
| 4 | 200 | 200/200 | OT200E22P | 1SCA022721R4020 | 1 | 2.0 |
| 3 | 250 | 250/250 | OT250E03P | 1SCA022710R0100 | 1 | 1.6 |
| 4 | 250 | 250/250 | OT250E04P | 1SCA022710R0520 | 1 | 2.0 |
| 3 | 250 | 250/250 | OT250E12P | 1SCA022721R4110 | 1 | 1.6 |
| 4 | 250 | 250/250 | OT250E22P | 1SCA022721R4290 | 1 | 2.0 |
| 3 | 315 | 315/315 | OT315E03P | 1SCA022718R8510 | 1 | 3.1 |
| 4 | 315 | 315/315 | OT315E04P | 1SCA022719R1730 | 1 | 3.7 |
| 3 | 315 | 315/315 | OT315E12P | 1SCA022727R4190 | 1 | 3.1 |
| 4 | 315 | 315/315 | OT315E22P | 1SCA022727R4270 | 1 | 3.7 |
| 3 | 400 | 400/400 | OT400E03P | 1SCA022718R8780 | 1 | 3.1 |
| 4 | 400 | 400/400 | OT400E04P | 1SCA022719R1810 | 1 | 3.7 |
| 3 | 400 | 400/400 | OT400E12P | 1SCA022727R5750 | 1 | 3.1 |
| 4 | 400 | 400/400 | OT400E22P | 1SCA022727R5830 | 1 | 3.7 |
| 3 | 630 | 630/630 | OT630E03P | 1SCA022718R8940 | 1 | 6.3 |
| 3+N ¹⁾ | 630 | 630/630 | OT630E03N3P | 1SCA022779R4860 | 1 | 6.7 |
| 4 | 630 | 630/630 | OT630E04P | 1SCA022719R2030 | 1 | 7.5 |
| 3 | 630 | 630/630 | OT630E12P | 1SCA022753R4790 | 1 | 6.3 |
| 4 | 630 | 630/630 | OT630E22P | 1SCA022753R4870 | 1 | 7.5 |
| 3 | 800 | 800/800 | OT800E03P | 1SCA022718R9410 | 1 | 6.3 |
| 3+N ¹⁾ | 800 | 800/800 | OT800E03N3P | 1SCA022779R4780 | 1 | 6.7 |
| 4 | 800 | 800/800 | OT800E04P | 1SCA022719R2110 | 1 | 7.5 |
| 3 | 800 | 800/800 | OT800E12P | 1SCA022753R5170 | 1 | 6.3 |
| 4 | 800 | 800/800 | OT800E22P | 1SCA022753R5250 | 1 | 7.5 |

Shafts and handles included as standard

| Suitable for switches | Included shaft | Included handle | Included terminal bolts |
|-----------------------|----------------|-----------------|-------------------------|
| OT200...250_P | OX P6X210 | OHB65J6 | M8x25 |
| OT315...400_P | OX P12X185 | OHB95J12 | M10x30 |
| OT630...800_P | OX P12X185 | OHB125J12 | M12x40 |

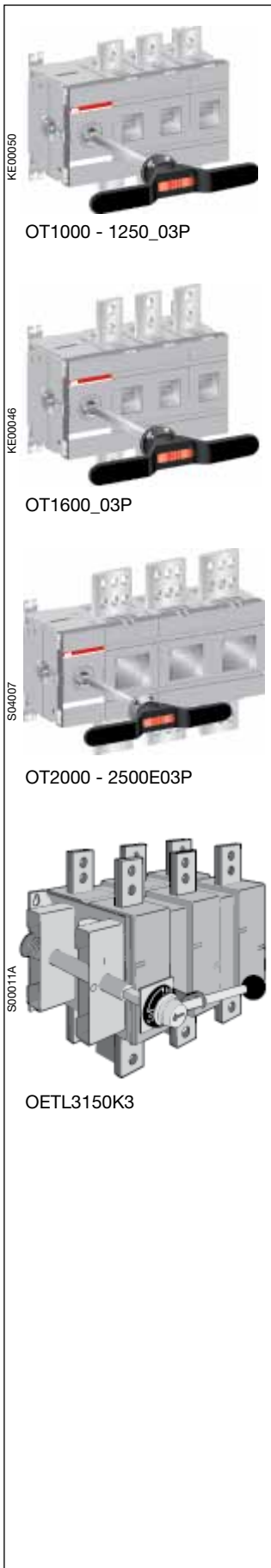
¹⁾ Include a detachable neutral link integrated into the mechanism.



Switch-disconnectors, base mounting

Ordering information

Front operated switch-disconnectors



| Number of poles | I _{th} (open) [A] | Rated oper. currents AC22A/AC23A 400V [A/A] | Type | Order number | Units/ type [pcs] | Weight/ unit [kg] |
|--|----------------------------|---|--------------------------------|-----------------|-------------------|-------------------|
| Including terminal bolt kit, a black ON-OFF plastic handle OHB200J12P and shaft OXP12x280 as standard. The handle is IP65 protected, padlockable in the OFF-position and with door interlock in the ON-position. The shaft is adjustable for a range of installation depths. | | | | | | |
| 3 | 1000 | 1000/1000 | OT1000E03P | 1SCA022860R5930 | 1 | 17.0 |
| 3+N | 1000 | 1000/1000 | OT1000E03N3P | 1SCA100761R1001 | 1 | 17.9 |
| 4 | 1000 | 1000/1000 | OT1000E04P | 1SCA022860R6150 | 1 | 19.5 |
| 3 | 1000 | 1000/1000 | OT1000E12P | 1SCA022871R5520 | 1 | 17.0 |
| 4 | 1000 | 1000/1000 | OT1000E22P | 1SCA022871R5610 | 1 | 19.5 |
| 3 | 1250 | 1250/1250 | OT1250E03P | 1SCA022860R6230 | 1 | 17.0 |
| 3+N | 1250 | 1250/1250 | OT1250E03N3P | 1SCA022865R7060 | 1 | 17.9 |
| 4 | 1250 | 1250/1250 | OT1250E04P | 1SCA022860R6310 | 1 | 19.5 |
| 3 | 1250 | 1250/1250 | OT1250E12P | 1SCA022871R5790 | 1 | 17.0 |
| 4 | 1250 | 1250/1250 | OT1250E22P | 1SCA022871R5870 | 1 | 19.5 |
| 3 | 1600 | 1600/1250 | OT1600E03P | 1SCA022860R6580 | 1 | 19.0 |
| 3+N | 1600 ⁵⁾ | 1600/1250 | OT1600E03N3P | 1SCA022865R6920 | 1 | 19.9 |
| 4 | 1600 | 1600/1250 | OT1600E04P | 1SCA022860R6740 | 1 | 22 |
| 3 | 1600 | 1600/1250 | OT1600E12P | 1SCA022871R5950 | 1 | 19.0 |
| 4 | 1600 | 1600/1250 | OT1600E22P | 1SCA022871R6090 | 1 | 22 |
| 3 | 2000 | 2000/- | OT2000E03P | 1SCA108036R1001 | 1 | 42 |
| 3+N | 2000 ⁵⁾ | 2000/- | OT2000E03N3P | 1SCA108037R1001 | 1 | 42 |
| 4 | 2000 | 2000/- | OT2000E04P | 1SCA108038R1001 | 1 | 48 |
| 3 | 2000 | 2000/- | OT2000E12P | 1SCA108039R1001 | 1 | 42 |
| 4 | 2000 | 2000/- | OT2000E22P | 1SCA108041R1001 | 1 | 48 |
| 3 | 2500 | 2500/- | OT2500E03P | 1SCA104972R1001 | 1 | 42 |
| 3+N | 2500 ⁵⁾ | 2500/- | OT2500E03N3P | 1SCA108035R1001 | 1 | 42 |
| 4 | 2500 | 2500/- | OT2500E04P | 1SCA105140R1001 | 1 | 49 |
| 3 | 2500 | 2500/- | OT2500E12P | 1SCA104978R1001 | 1 | 42 |
| 4 | 2500 | 2500/- | OT2500E22P | 1SCA105156R1001 | 1 | 49 |
| Including an IP54 metallic handle with I-O-indication. Padlockable in the O-position. | | | | | | |
| 3 | 3150 | 1600/- | OETL3150K3 ⁴⁾ | 1SCA022115R6340 | 1 | 37 |
| 3 | 3150 | 1600/- | OETL3150K185 ²⁾⁴⁾ | 1SCA022136R7550 | 1 | 38 |
| 4 | 3150 | 1600/- | OETL3150K4 ⁴⁾ | 1SCA022115R6510 | 1 | 47 |
| 3 | 3150 | 1600/- | OETL3150K3-2 ³⁾⁴⁾ | 1SCA022157R4260 | 1 | 37 |
| 3 | 3150 | 1600/- | OETL3150K3-H20 ⁴⁾¹⁾ | 1SCA022163R8090 | 1 | 37 |
| 3 | 3150 | 1600/- | OETL3150KV12 | 1SCA022290R3390 | 1 | 37 |
| 4 | 3150 | 1600/- | OETL3150KV22 | 1SCA022293R8260 | 1 | 47 |

Shafts and handles included as standard

| Suitable for switches | Included shaft | Included handle | Included terminal bolts |
|-----------------------|----------------|-----------------|-------------------------|
| OT1000...1250_P | OXF12X280 | OHB200J12P | M12x50 |
| OT1600_P | OXF12X280 | OHB200J12P | M12x60 |
| OT2000...2500_P | OXF12X280 | OHB200J12P | M12x60 |
| OETL3150 | OXF12X325 | YASDA7 | M12x60 |

¹⁾ Extra thick (20 μm) silver coating on the contacts.

²⁾ With extended phase distances:
- OETL 2500K185/3150K185:185 mm

³⁾ Handle and shaft have to be ordered separately

⁴⁾ The busbar connections for different busbar arrangements have to be ordered separately.

⁵⁾ I_{th} for N-pole =1250A



Switch-disconnectors, base mounting

Ordering information

Front operated switch-disconnectors with direct mounted handle

Including a black Test-OFF-ON plastic handle and shaft as standard. The handle is padlockable in the OFF-position.

| Number of poles | I_{in} (open) [A] | Rated operat. currents AC22A/AC23A 400V [A/A] | Type | Order number | Units/type [pcs] | Weight/unit [kg] |
|-----------------|---------------------|---|------------|-----------------|------------------|------------------|
| 3 | 200 | 200/200 | OT200E03K | 1SCA022763R4820 | 1 | 1.5 |
| 4 | 200 | 200/200 | OT200E04K | 1SCA022763R4910 | 1 | 1.9 |
| 3 | 250 | 250/250 | OT250E03K | 1SCA022763R5040 | 1 | 1.5 |
| 4 | 250 | 250/250 | OT250E04K | 1SCA022763R5210 | 1 | 1.9 |
| 3 | 315 | 315/315 | OT315E03K | 1SCA022763R5630 | 1 | 2.9 |
| 4 | 315 | 315/315 | OT315E04K | 1SCA022763R5710 | 1 | 3.5 |
| 3 | 400 | 400/400 | OT400E03K | 1SCA022763R5390 | 1 | 2.9 |
| 4 | 400 | 400/400 | OT400E04K | 1SCA022763R5550 | 1 | 3.5 |
| 3 | 630 | 630/630 | OT630E03K | 1SCA022779R4940 | 1 | 6.3 |
| 4 | 630 | 630/630 | OT630E04K | 1SCA022779R5080 | 1 | 7.5 |
| 3 | 800 | 800/800 | OT800E03K | 1SCA022779R5160 | 1 | 6.3 |
| 4 | 800 | 800/800 | OT800E04K | 1SCA022779R5240 | 1 | 7.5 |
| 3 | 1000 | 1000/1000 | OT1000E03K | 1SCA108353R1001 | 1 | 17.5 |
| 4 | 1000 | 1000/1000 | OT1000E04K | 1SCA108355R1001 | 1 | 21.5 |
| 3 | 1250 | 1250/1250 | OT1250E03K | 1SCA108356R1001 | 1 | 17.5 |
| 4 | 1250 | 1250/1250 | OT1250E04K | 1SCA108357R1001 | 1 | 21.5 |
| 3 | 1600 | 1600/1250 | OT1600E03K | 1SCA108352R1001 | 1 | 18.5 |
| 4 | 1600 | 1600/1250 | OT1600E04K | 1SCA108358R1001 | 1 | 21.5 |
| 3 | 2000 | 2000/- | OT2000E03K | 1SCA108359R1001 | 1 | 42.3 |
| 4 | 2000 | 2000/- | OT2000E04K | 1SCA108362R1001 | 1 | 47.8 |
| 3 | 2500 | 2500/- | OT2500E03K | 1SCA108361R1001 | 1 | 42.3 |
| 4 | 2500 | 2500/- | OT2500E04K | 1SCA108363R1001 | 1 | 48.8 |

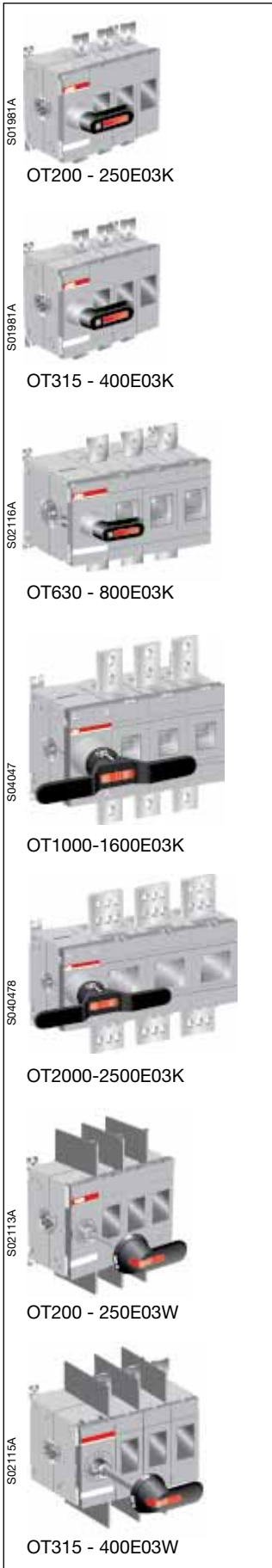
Front operated switch-disconnectors with wide phase distance

The phase barriers are mounted as standard. Including a black ON-OFF plastic handle and shaft as standard. The handle is IP65 protected, padlockable in the OFF-position and with door interlock in the ON-position. The shaft is adjustable for a range of installation depths.

| | | | | | | |
|---|-----|---------|------------|-----------------|---|-----|
| 3 | 200 | 200/200 | OT200E03WP | 1SCA022744R2670 | 1 | 1.8 |
| 4 | 200 | 200/200 | OT200E04WP | 1SCA022744R3130 | 1 | 2.2 |
| 3 | 200 | 200/200 | OT200E12WP | 1SCA022744R2910 | 1 | 1.8 |
| 4 | 200 | 200/200 | OT200E22WP | 1SCA022744R3300 | 1 | 2.2 |
| 3 | 250 | 250/250 | OT250E03WP | 1SCA022744R3560 | 1 | 1.8 |
| 4 | 250 | 250/250 | OT250E04WP | 1SCA022744R3810 | 1 | 2.2 |
| 3 | 250 | 250/250 | OT250E12WP | 1SCA022745R0000 | 1 | 1.8 |
| 4 | 250 | 250/250 | OT250E22WP | 1SCA022745R0180 | 1 | 2.2 |
| 3 | 315 | 315/315 | OT315E03WP | 1SCA022809R8650 | 1 | 3.4 |
| 4 | 315 | 315/315 | OT315E04WP | 1SCA022809R8900 | 1 | 4.0 |
| 3 | 315 | 315/315 | OT315E12WP | 1SCA022809R9380 | 1 | 3.4 |
| 4 | 315 | 315/315 | OT315E22WP | 1SCA022810R0900 | 1 | 4.0 |
| 3 | 400 | 400/400 | OT400E03WP | 1SCA022809R8310 | 1 | 3.4 |
| 4 | 400 | 400/400 | OT400E04WP | 1SCA022809R8810 | 1 | 4.0 |
| 3 | 400 | 400/400 | OT400E12WP | 1SCA022809R9200 | 1 | 3.4 |
| 4 | 400 | 400/400 | OT400E22WP | 1SCA022810R0570 | 1 | 4.0 |

Shafts and handles included as standard

| Suitable for switches | Included shaft | Included handle | Included terminal bolts |
|-----------------------|----------------|-----------------|-------------------------|
| OT200...250_K | | OTV250EK | M8x25 |
| OT315...400_K | | OTV400EK | M10x30 |
| OT630...800_K | | OTV800EK | M12x40 |
| OT1000...1250_K | | OTV1000EK | M12x50 |
| OT1600_K | | OTV1000EK | M12X60 |
| OT2000...2500_K | | OTV1000EK | M12x60 |
| OT200...250_P | OXF6X210 | OHB65J6 | M8x25 |
| OT315...400_P | OXF12X185 | OHB95J12 | M10x30 |



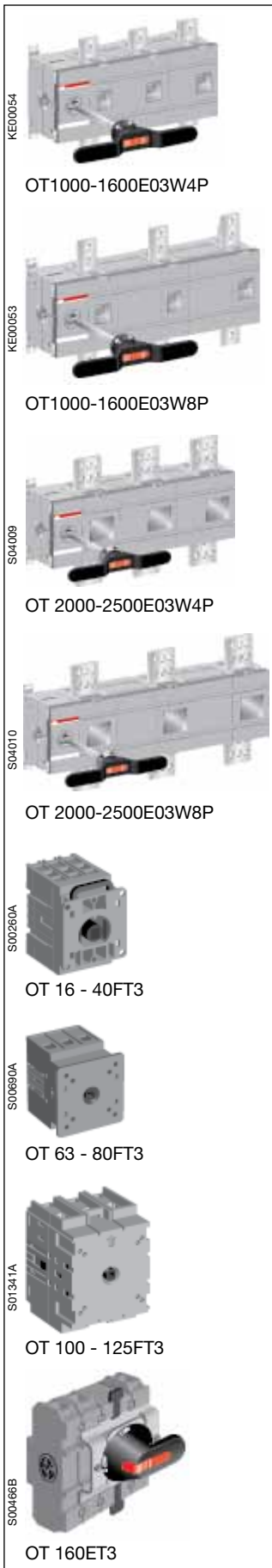


Switch-disconnectors

Ordering information

Front operated switch-disconnectors with wide phase distance

The phase barriers are mounted as standard. Including a black ON-OFF plastic handle and shaft as standard. The handle is IP65 protected, padlockable in the OFF-position and with door interlock in the ON-position. The shaft is adjustable for a range of installation depths.



| Number of poles | I_{th} (open) [A] | Rated operat. currents AC22A/AC23A 400V [A/A] | Type | Order number | Units/type [pcs] | Weight/unit [kg] |
|-----------------|---------------------|---|--------------|-----------------|------------------|------------------|
| 3 | 1000 | 1000/1000 | OT1000E03W4P | 1SCA022871R7310 | 1 | 19.8 |
| 4 | 1000 | 1000/1000 | OT1000E04W4P | 1SCA100762R1001 | 1 | 24 |
| 3 | 1000 | 1000/1000 | OT1000E03W8P | 1SCA022871R8110 | 1 | 22 |
| 3 | 1250 | 1250/1250 | OT1250E03W4P | 1SCA022866R1920 | 1 | 19.8 |
| 4 | 1250 | 1250/1250 | OT1250E04W4P | 1SCA022866R2220 | 1 | 24 |
| 3 | 1250 | 1250/1250 | OT1250E03W8P | 1SCA022871R8540 | 1 | 22 |
| 3 | 1600 | 1600/1250 | OT1600E03W4P | 1SCA022865R9860 | 1 | 22 |
| 4 | 1600 | 1600/1250 | OT1600E04W4P | 1SCA022866R1090 | 1 | 26 |
| 3 | 1600 | 1600/1250 | OT1600E03W8P | 1SCA022871R8970 | 1 | 24 |
| 3 | 2000 | 2000/- | OT2000E03W4P | 1SCA108042R1001 | 1 | 42 |
| 4 | 2000 | 2000/- | OT2000E13W4P | 1SCA109284R1001 | 1 | 48 |
| 3 | 2000 | 2000/- | OT2000E03W8P | 1SCA108045R1001 | 1 | 42 |
| 4 | 2000 | 2000/- | OT2000E13W8P | 1SCA109283R1001 | 1 | 48 |
| 3 | 2500 | 2500/- | OT2500E03W4P | 1SCA108047R1001 | 1 | 49 |
| 4 | 2500 | 2500/- | OT2500E13W4P | 1SCA109285R1001 | 1 | 49 |
| 3 | 2500 | 2500/- | OT2500E03W8P | 1SCA108049R1001 | 1 | 49 |
| 4 | 2500 | 2500/- | OT2500E13W8P | 1SCA109286R1001 | 1 | 49 |

Front operated switch-disconnectors, door mounting

Types OT 16...160 include protected terminal clamps, IP 20. The type and ordering numbers are for one piece.

| Number of poles | I_{th} (open) [A] | Cable cross section [mm ²] | Rated operat. currents AC22A/AC23A 400V [A/A] | Type | Order number | Delivery batch [pcs] | Weight/unit [kg] |
|-----------------|---------------------|--|---|------------|-----------------|----------------------|------------------|
| 3 | 25 | 0.75...10 | 16/16 | OT16FT3 | 1SCA104838R1001 | 10 | 0.13 |
| 4 | 25 | 0.75...10 | 16/16 | OT16FT4N2 | 1SCA105711R1001 | 10 | 0.16 |
| 3 | 32 | 0.75...10 | 25/20 | OT25FT3 | 1SCA104884R1001 | 10 | 0.13 |
| 4 | 32 | 0.75...10 | 25/20 | OT25FT4N2 | 1SCA104900R1001 | 10 | 0.16 |
| 3 | 40 | 0.75...10 | 40/23 | OT40FT3 | 1SCA104940R1001 | 10 | 0.13 |
| 4 | 40 | 0.75...10 | 40/23 | OT40FT4N2 | 1SCA104956R1001 | 10 | 0.16 |
| 3 | 63 | 1.5...35 | 63/45 | OT63FT3 | 1SCA105382R1001 | 10 | 0.28 |
| 4 | 63 | 1.5...35 | 63/45 | OT63FT4N2 | 1SCA105393R1001 | 10 | 0.35 |
| 3 | 80 | 1.5...35 | 80/75 | OT80FT3 | 1SCA105431R1001 | 10 | 0.28 |
| 4 | 80 | 1.5...35 | 80/75 | OT80FT4N2 | 1SCA105499R1001 | 10 | 0.35 |
| 3 | 115 | 10...70 | 100/80 | OT100FT3 | 1SCA105023R1001 | 10 | 0.40 |
| 4 | 115 | 10...70 | 100/80 | OT100FT4N2 | 1SCA105031R1001 | 10 | 0.54 |
| 3 | 125 | 10...70 | 125/90 | OT125FT3 | 1SCA105060R1001 | 10 | 0.40 |
| 4 | 125 | 10...70 | 125/90 | OT125FT4N2 | 1SCA105066R1001 | 10 | 0.54 |
| 3 | 200 | 10...70 | 200 ¹⁾ /135 | OT160ET3 | 1SCA022350R1960 | 1 | 1.0 |
| 4 | 200 | 10...70 | 200 ¹⁾ /135 | OT160ET4 | 1SCA022460R6920 | 1 | 1.3 |

Shafts and handles included as standard

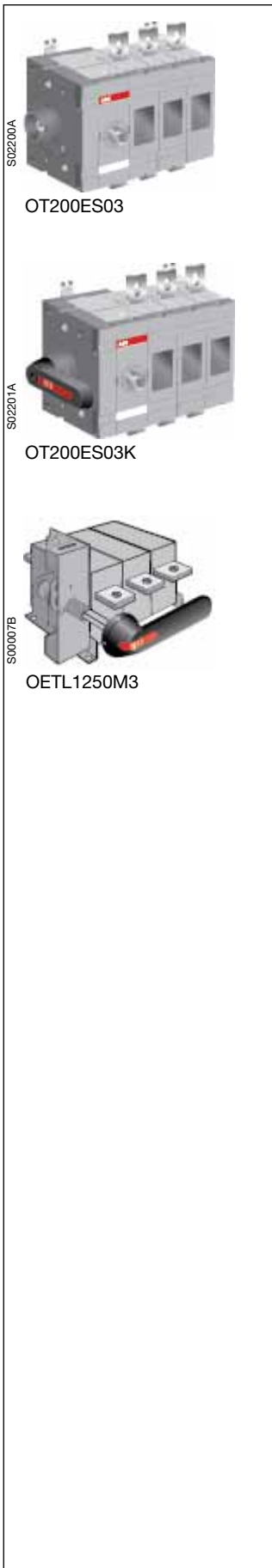
| Suitable for switches | Included shaft | Included handle | Included terminal bolts |
|-----------------------|----------------|-----------------|-------------------------|
| OT1000...1250_P | OXPP12X280 | OHB200J12P | M12X50 |
| OT1600_P | OXPP12X280 | OHB200J12P | M12X60 |
| OT2000...2500_P | OXPP12X280 | OHB200J12P | M12X60 |
| OT160ET | OXPP6X130 | OHB65J6 | |

W4 = Phase distance 140 mm
W8 = Phase distance 185 mm

¹⁾ 200A/min. 95 mm², use busbar connections
OEZXX6/13 or OZXT2



Switch-disconnectors Ordering information



Side operated switch-disconnectors without handle

Including terminal bolt kit, the handle and shaft have to be ordered separately.

| Number of poles | I_{th} (open) [A] | Rated oper. currents AC22A/AC23A 400V [A/A] | Type | Order number | Units/ type [pcs] | Weight/ unit [kg] |
|-----------------|---------------------|---|-----------|-----------------|-------------------|-------------------|
| 3 | 200 | 200/200 | OT200ES03 | 1SCA022860R0200 | 1 | 1.8 |
| 4 | 200 | 200/200 | OT200ES04 | 1SCA022860R0540 | 1 | 2.2 |
| 3 | 250 | 250/250 | OT250ES03 | 1SCA022860R0890 | 1 | 1.8 |
| 4 | 250 | 250/250 | OT250ES04 | 1SCA022860R1010 | 1 | 2.2 |
| 3 | 315 | 315/315 | OT315ES03 | 1SCA022860R1270 | 1 | 3.4 |
| 4 | 315 | 315/315 | OT315ES04 | 1SCA022860R1510 | 1 | 4.0 |
| 3 | 400 | 400/400 | OT400ES03 | 1SCA022860R1780 | 1 | 3.4 |
| 4 | 400 | 400/400 | OT400ES04 | 1SCA022860R1940 | 1 | 4.0 |
| 3 | 630 | 630/630 | OT630ES03 | 1SCA022860R2240 | 1 | 7.0 |
| 4 | 630 | 630/630 | OT630ES04 | 1SCA022860R2410 | 1 | 8.2 |
| 3 | 800 | 800/800 | OT800ES03 | 1SCA022860R2670 | 1 | 7.0 |
| 4 | 800 | 800/800 | OT800ES04 | 1SCA022860R2830 | 1 | 8.2 |

Side operated switch-disconnectors with direct mounted handle

Including terminal bolt kit, a black Test-ON-OFF plastic handle and shaft as standard. The handle is padlockable in the OFF-position.

| Number of poles | I_{th} (open) [A] | Rated oper. currents AC22A/AC23A 400V [A/A] | Type | Order number | Units/ type [pcs] | Weight/ unit [kg] |
|-----------------|---------------------|---|------------|-----------------|-------------------|-------------------|
| 3 | 200 | 200/200 | OT200ES03K | 1SCA022860R0620 | 1 | 1.9 |
| 4 | 200 | 200/200 | OT200ES04K | 1SCA022860R0710 | 1 | 2.3 |
| 3 | 250 | 250/250 | OT250ES03K | 1SCA022860R0970 | 1 | 1.9 |
| 4 | 250 | 250/250 | OT250ES04K | 1SCA022860R1190 | 1 | 2.3 |
| 3 | 315 | 315/315 | OT315ES03K | 1SCA022860R1350 | 1 | 3.5 |
| 4 | 315 | 315/315 | OT315ES04K | 1SCA022860R1600 | 1 | 4.1 |
| 3 | 400 | 400/400 | OT400ES03K | 1SCA022860R1860 | 1 | 3.5 |
| 4 | 400 | 400/400 | OT400ES04K | 1SCA022860R2080 | 1 | 4.1 |
| 3 | 630 | 630/630 | OT630ES03K | 1SCA022860R2320 | 1 | 7.0 |
| 4 | 630 | 630/630 | OT630ES04K | 1SCA022860R2590 | 1 | 8.4 |
| 3 | 800 | 800/800 | OT800ES03K | 1SCA022860R2750 | 1 | 7.2 |
| 4 | 800 | 800/800 | OT800ES04K | 1SCA022860R2910 | 1 | 8.4 |

Earthing switches, base mounting

Including a black IP65 handle with \perp - O -indication, padlockable in both positions, door interlock in O-position.

| Number of poles | Short circuit making capacity r.m.s. [kA] | Short time withstand current/1s [kA] | Type | Order number | Units/ type [pcs] | Weight/ unit [kg] |
|-----------------|---|--------------------------------------|------------------------------|-----------------|-------------------|-------------------|
| 3 | 50/0.4s ²⁾ | 50 | OETL1250M3 | 1SCA022102R1410 | 1 | 16 |
| 4 | 50/0.5s ²⁾ | | OETL1250M4 | 1SCA022189R0930 | 1 | 21 |
| 3 | 110 (Peak) | | OETL1250M140 ¹⁾ | 1SCA022126R6950 | 1 | 21 |
| 4 | | | OETL1250M4-140 ¹⁾ | 1SCA022290R5680 | 1 | 25 |

Shafts and handles included as standard

| Suitable for switches | Included shaft | Included handle | Included terminal bolts |
|-----------------------|----------------|-----------------|-------------------------|
| OT200...250 | | | M8x25 |
| OT315...400 | | | M10x30 |
| OT630...800 | | | M12x40 |
| OETL1250 | OXp12X185 | OHB145J12E421 | M12x60 |

¹⁾ Phase distance 140 mm

²⁾ Max. distance between busbar support and switch terminal 70 mm

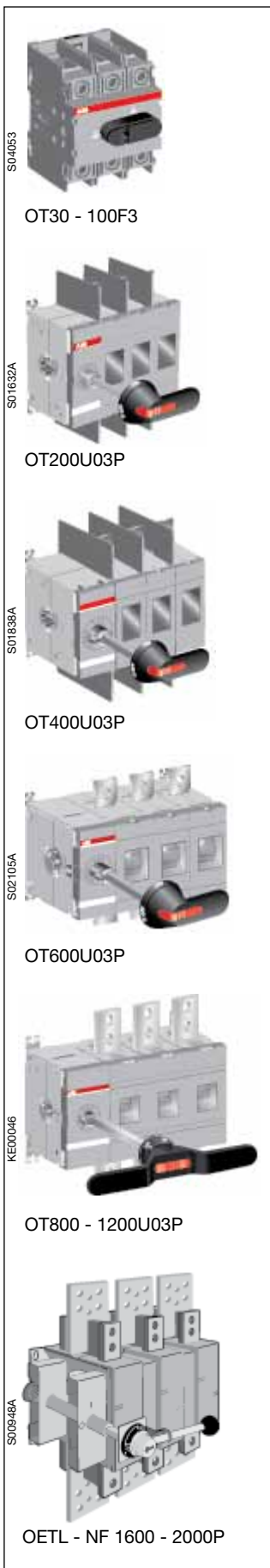


UL/CSA Non-fusible disconnect switches

Ordering information

Front operated, non-fusible disconnect switches

The type and ordering numbers are for one piece.



| Number of poles | Ampere rating [A] | Horsepower rating 3-phase [HP] | | | Type | Order number | Delivery batch [pcs] | Weight/unit [kg] |
|-----------------|-------------------|--------------------------------|------|------|-----------|-----------------|----------------------|------------------|
| | | 240V | 480V | 600V | | | | |
| 3 | 20 | 5 | 10 | 15 | OT16F3 | 1SCA104811R1001 | 10 | 0.11 |
| 4 | 20 | 5 | 10 | 15 | OT16F4N2 | 1SCA104829R1001 | 10 | 0.14 |
| 3 | 20 | 5 | 10 | 15 | OT16FT3 | 1SCA104838R1001 | 10 | 0.13 |
| 4 | 20 | 5 | 10 | 15 | OT16FT4N2 | 1SCA105711R1001 | 10 | 0.16 |
| 3 | 30 | 7.5 | 15 | 20 | OT25F3 | 1SCA104857R1001 | 10 | 0.11 |
| 4 | 30 | 7.5 | 15 | 20 | OT25F4N2 | 1SCA104886R1001 | 10 | 0.14 |
| 3 | 30 | 7.5 | 15 | 20 | OT25FT3 | 1SCA104884R1001 | 10 | 0.13 |
| 4 | 30 | 7.5 | 15 | 20 | OT25FT4N2 | 1SCA104900R1001 | 10 | 0.16 |
| 3 | 40 | 10 | 20 | 25 | OT40F3 | 1SCA104902R1001 | 10 | 0.11 |
| 4 | 40 | 10 | 20 | 25 | OT40F4N2 | 1SCA104932R1001 | 10 | 0.14 |
| 3 | 40 | 10 | 20 | 25 | OT40FT3 | 1SCA104940R1001 | 10 | 0.13 |
| 4 | 40 | 10 | 20 | 25 | OT40FT4N2 | 1SCA104956R1001 | 10 | 0.16 |
| 3 | 60 | 15 | 30 | 30 | OT63F3 | 1SCA105332R1001 | 10 | 0.27 |
| 4 | 60 | 15 | 30 | 30 | OT63F4N2 | 1SCA105365R1001 | 10 | 0.30 |
| 3 | 60 | 15 | 30 | 30 | OT63FT3 | 1SCA105382R1001 | 10 | 0.28 |
| 4 | 60 | 15 | 30 | 30 | OT63FT4N2 | 1SCA105393R1001 | 10 | 0.35 |
| 3 | 80 | 20 | 40 | 40 | OT80F3 | 1SCA105798R1001 | 10 | 0.27 |
| 4 | 80 | 20 | 40 | 40 | OT80F4N2 | 1SCA105413R1001 | 10 | 0.30 |
| 3 | 80 | 20 | 40 | 40 | OT80FT3 | 1SCA105431R1001 | 10 | 0.28 |
| 4 | 80 | 20 | 40 | 40 | OT80FT4N2 | 1SCA105499R1001 | 10 | 0.35 |
| 3 | 30 | 10 | 20 | 30 | OT30F3 | 1SCA105068R1001 | 10 | 0.36 |
| 4 | 30 | 10 | 20 | 30 | OT30F4N2 | 1SCA108347R1001 | 10 | 0.50 |
| 3 | 60 | 20 | 40 | 40 | OT60F3 | 1SCA105076R1001 | 10 | 0.36 |
| 4 | 60 | 20 | 40 | 40 | OT60F4N2 | 1SCA108348R1001 | 10 | 0.50 |
| 3 | 100 | 30 | 50 | 50 | OT100F3 | 1SCA105004R1001 | 10 | 0.36 |
| 4 | 100 | 30 | 50 | 50 | OT100F4N2 | 1SCA105018R1001 | 10 | 0.50 |

Including handle: NEMA 1, 3R, 12, IP65 and shaft

| | | | | | | | | |
|---|------|-----|-----|-----|------------|-----------------|---|-----|
| 3 | 100 | 40 | 75 | 100 | OT160E3 | 1SCA022257R5950 | 1 | 1.0 |
| 4 | 100 | 40 | 75 | 100 | OT160E4 | 1SCA022259R8060 | 1 | 1.3 |
| 3 | 200 | 75 | 150 | 200 | OT200U03P | 1SCA022709R9920 | 1 | 1.8 |
| 4 | 200 | 75 | 150 | 200 | OT200U04P | 1SCA022710R0610 | 1 | 2.2 |
| 3 | 200 | 75 | 150 | 200 | OT200U12P | 1SCA022752R2010 | 1 | 1.8 |
| 4 | 200 | 75 | 150 | 200 | OT200U22P | 1SCA022741R8880 | 1 | 2.2 |
| 3 | 400 | 125 | 250 | 350 | OT400U03P | 1SCA022718R9670 | 1 | 3.4 |
| 4 | 400 | 125 | 250 | 350 | OT400U04P | 1SCA022719R1900 | 1 | 4.0 |
| 3 | 400 | 125 | 250 | 350 | OT400U12P | 1SCA022754R6960 | 1 | 3.4 |
| 4 | 400 | 125 | 250 | 350 | OT400U22P | 1SCA022762R7290 | 1 | 4.0 |
| 3 | 600 | 200 | 450 | 500 | OT600U03P | 1SCA022718R9830 | 1 | 6.5 |
| 4 | 600 | 200 | 450 | 500 | OT600U04P | 1SCA022719R2200 | 1 | 7.7 |
| 3 | 600 | 200 | 450 | 500 | OT600U12P | 1SCA022753R7710 | 1 | 6.4 |
| 4 | 600 | 200 | 450 | 500 | OT600U22P | 1SCA022753R7890 | 1 | 7.7 |
| 3 | 800 | 250 | 500 | 500 | OT800U03P | 1SCA105665R1001 | 1 | 19 |
| 4 | 800 | 250 | 500 | 500 | OT800U04P | 1SCA105667R1001 | 1 | 22 |
| 3 | 800 | 250 | 500 | 500 | OT800U12P | 1SCA106128R1001 | 1 | 19 |
| 4 | 800 | 250 | 500 | 500 | OT800U22P | 1SCA106125R1001 | 1 | 22 |
| 3 | 1200 | - | - | - | OT1200U03P | 1SCA022860R6910 | 1 | 19 |
| 4 | 1200 | - | - | - | OT1200U04P | 1SCA022860R7120 | 1 | 22 |
| 3 | 1200 | - | - | - | OT1200U12P | 1SCA022871R9270 | 1 | 19 |
| 4 | 1200 | - | - | - | OT1200U22P | 1SCA105654R1001 | 1 | 22 |

Including handle, NEMA 1, 3R, 4, 4x, 12, IP65, shaft and busbar connections

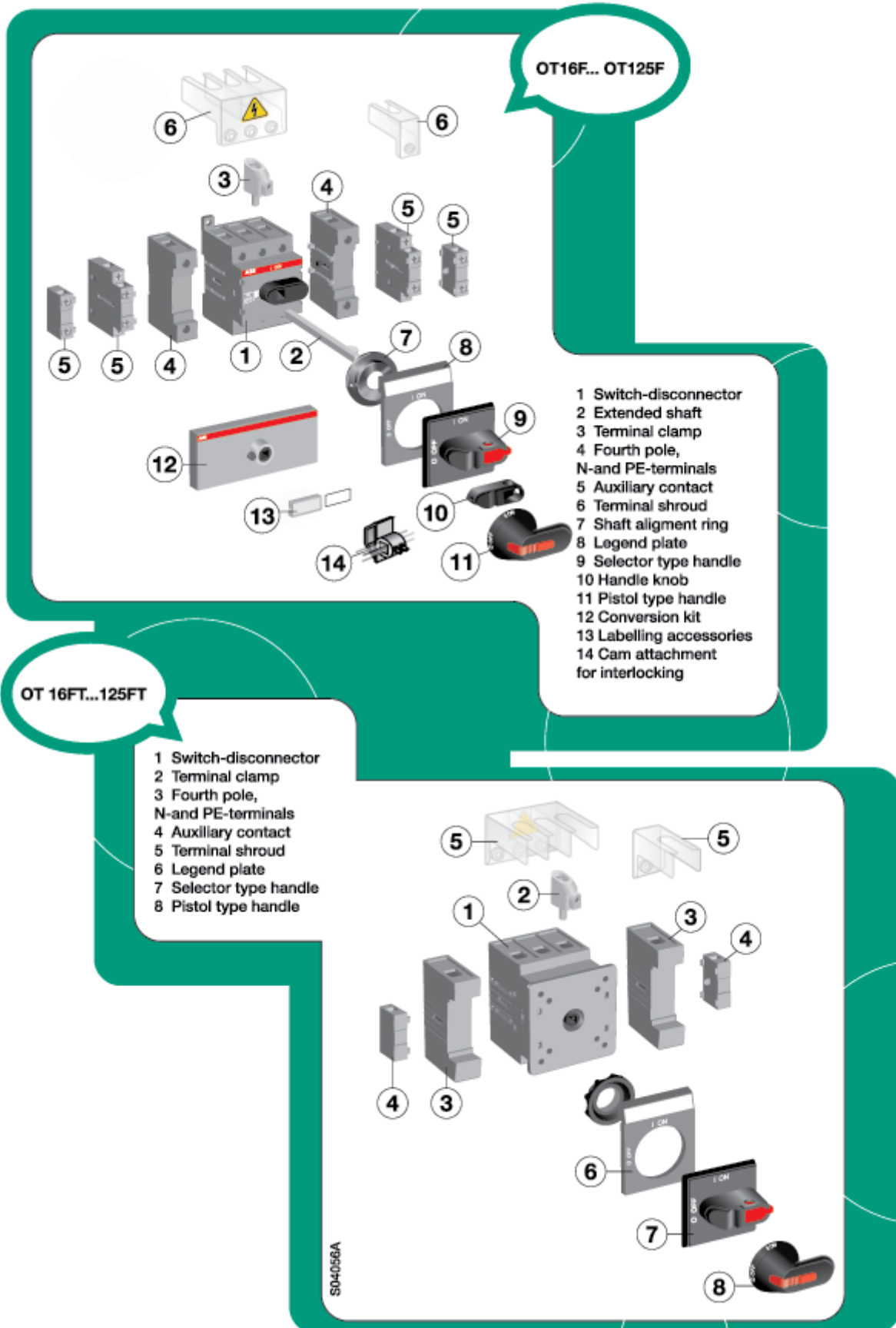
| | | | | | | | | |
|---|--------------------|---|---|---|--------------|-----------------|---|----|
| 3 | 1600 | - | - | - | OETL-NF1600P | 1SCA022282R0690 | 1 | 65 |
| 3 | 2000 ¹⁾ | - | - | - | OETL-NF2000P | 1SCA022282R0850 | 1 | 65 |

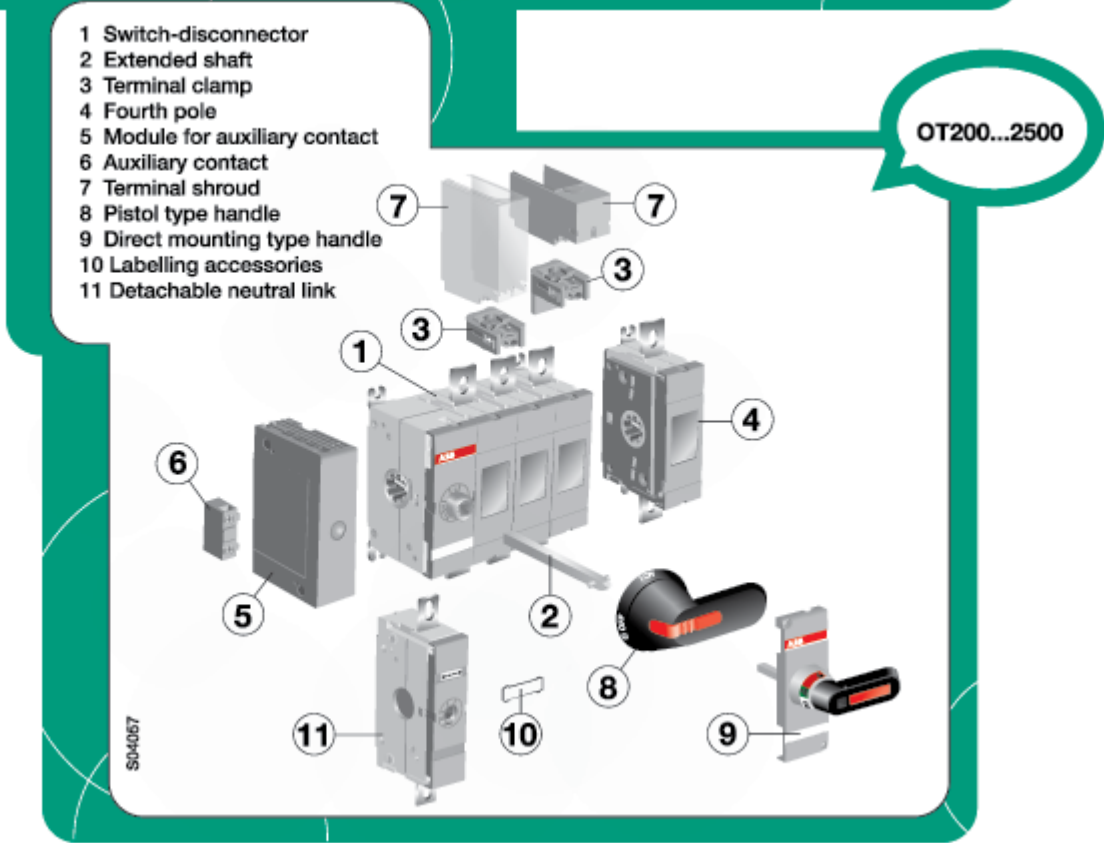
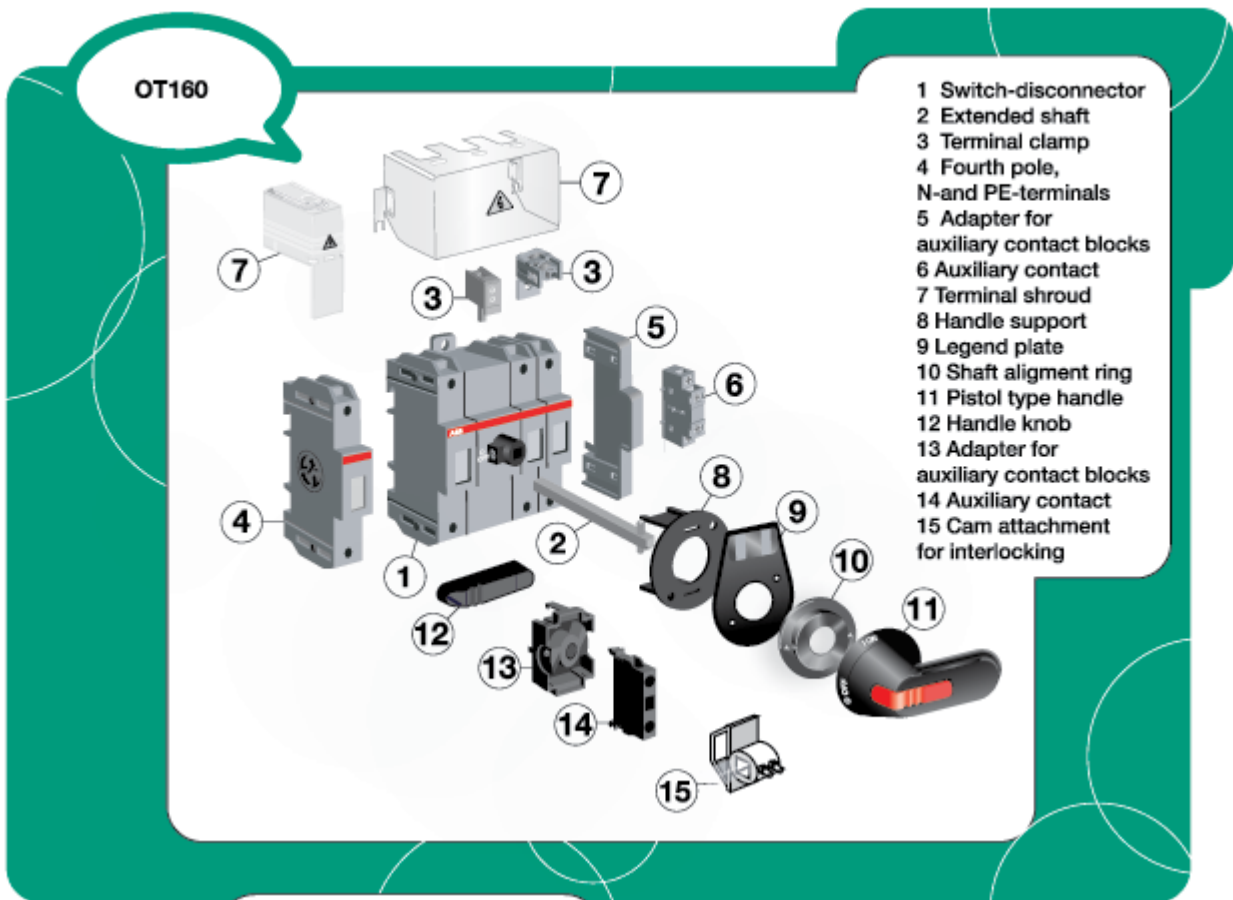
Shafts and handles included as standard

| Suitable for switches | Included shaft | Included handle | Included terminal bolts |
|-----------------------|----------------|-----------------|-------------------------|
| OT160E | OXF6X210 | OHB65J6 | |
| OT200U_P | OXF6X210 | OHB65J6 | M8x25 |
| OT400U_P | OXF12X185 | OHB95J12 | M10x30 |
| OT600U_P | OXF12X185 | OHB125J12 | M12x40 |
| OT800...1200U_P | OXF12X280 | OHB200J12P | M12x60 |
| OETL-NF1600...2000 | OXF12X325 | YASDA8 | M12x60 |

- Approvals:
- OT16...80: UL 508, CSA 22-2 # 14
- OT30...1200: UL 98, CSA 22-2 # 4
- OETL-NF: UL98, CSA 22-22 #4
- IEC 60947-3

¹⁾ 480 VAC max.







Optional handles Ordering information

Optional handles, base and DIN-rail mounted switches

Handle knobs

Mounting directly to the switch, no shaft needed.
Padlockable with one padlock with bail diameter 5 mm, see the table below

| Colour | Handle length [mm] | Suitable for switches | Type | Order number | Units/type [pcs] |
|--------|--------------------|-----------------------------------|---------|-----------------|------------------|
| Black | 31 | OT16...80F3/F4 | OHBS1 | 1SCA109087R1001 | 10 |
| Black | 31 | OT16...80F3/F4 | OHBS1/1 | 1SCA109088R1001 | 1 |
| Red | 31 | OT16...80F3/F4 | OHRS1 | 1SCA109095R1001 | 10 |
| Red | 31 | OT16...80F3/F4 | OHRS1/1 | 1SCA109096R1001 | 1 |
| Black | 37 | OT16...40F3/F4 | OHBS12 | 1SCA108252R1001 | 10 |
| Red | 37 | OT16...40F3/F4 | OHRS12 | 1SCA108253R1001 | 10 |
| Black | 40 | OT63...125F3/F4 OT16...40F6/F8 | OHBS2 | 1SCA109089R1001 | 10 |
| Black | 40 | OT63...125F3/F4 OT16...40F6/F8 | OHBS2/1 | 1SCA109090R1001 | 1 |
| Red | 40 | OT63...125F3/F4 OT16...40F6/F8 | OHRS2 | 1SCA108598R1001 | 10 |
| Red | 40 | OT63...125F3/F4 OT16...40F6/F8 | OHRS2/1 | 1SCA108599R1001 | 1 |
| Black | 39 | OT16...125F3/F4 OT16...40F6/F8 | OHBS3 | 1SCA108320R1001 | 10 |
| Black | 39 | OT16...125F3/F4 OT16...40F6/F8 | OHBS3/1 | 1SCA108319R1001 | 1 |
| Red | 39 | OT16...125F3/F4 OT16...40F6/F8 | OHRS3 | 1SCA108667R1001 | 10 |
| Red | 39 | OT16...125F3/F4 OT16...40F6/F8 | OHRS3/1 | 1SCA108688R1001 | 1 |
| Black | 72 | OT63...125F6/F8 | OHBS9 | 1SCA108665R1001 | 10 |
| Black | 72 | OT63...125F6/F8 | OHBS9/1 | 1SCA108689R1001 | 1 |
| Red | 72 | OT63...125F6/F8 | OHRS9 | 1SCA108666R1001 | 10 |
| Red | 72 | OT63...125F6/F8 | OHRS9/1 | 1SCA108690R1001 | 1 |
| Black | 72 | OT160 | YAST1 | 1SCA022301R5350 | 10 |

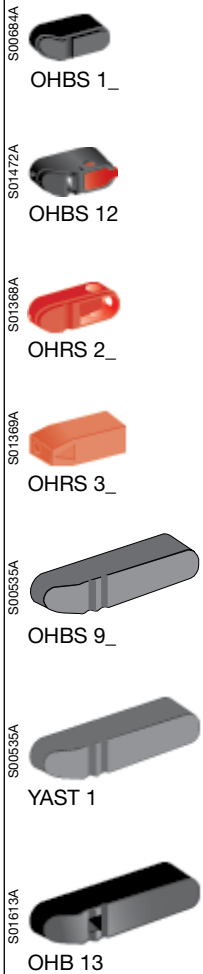
Mounting directly to the switch, a 6 mm shaft can be inserted through the handle

| | | | | | |
|-------|----|-------|-------|-----------------|----|
| Black | 72 | OT160 | OHB13 | 1SCA022712R4620 | 10 |
|-------|----|-------|-------|-----------------|----|

| Switch type | Handle type | |
|-----------------------------|-----------------|------------------|
| | Non-padlockable | Padlockable |
| OT16...40F3/F4 | OHBS1_, OHRS1_ | OHBS12_, OHRS12_ |
| | OHBS3_, OHRS3_ | |
| OT16...40F6/F8 + OWP6D40 | OHBS3_, OHRS3_ | OHBS2_, OHRS2_ |
| OT63...125F3/F4 | OHBS3_, OHRS3_ | OHBS2_, OHRS2_ |
| OT63...80F6/F8+ OWP6D80 | OHBS9_, OHRS9_ | |
| OT100...125F6/F8 + OWP6D125 | OHBS9_, OHRS9_ | |
| OT160 | YAST1 | |
| OT160 | OHB13 | |

| Handle type | Shaft through the handle | 45 mm cut-out enable* |
|----------------|--------------------------|-----------------------|
| OHBS1_, OHRS1_ | No | Yes |
| OHBS2_, OHRS2_ | No | Yes |
| OHBS3_, OHRS3_ | No | Yes |
| OHBS9_, OHRS9_ | No | No |
| OHBS12, OHRS12 | Yes | Yes |
| YAST1 | No | No |
| OHB13 | Yes | No |

*) in I-position the handle shall remain within the cut-out height





Optional handles Ordering information

Optional handles, base and DIN-rail mounted switches

for shaft diameter 6 mm, door drilling 22.5 mm. The type and the ordering numbers are for one piece.

Selector type handles

Indication I-O and ON-OFF

| Colour | Suitable for switches | Type | Order number | Delivery batch [pcs] | Weight/unit [kg] |
|------------------------------|-----------------------|---------|-----------------|----------------------|------------------|
| IP 54 handles, NEMA 1 | | | | | |
| Black | OT16...80F | OHBS1AH | 1SCA102680R1001 | 150 | |
| Yellow-red | OT16...80F | OHYS1AH | 1SCA105290R1001 | 150 | |
| Silver | OT16...80F | OHSS1AH | 1SCA105274R1001 | 150 | |
| Grey | OT16...80F | OHGS1AH | 1SCA105261R1001 | 150 | |

IP 54 handles, door interlock in ON-position, NEMA 1

| | | | | | |
|------------|------------|----------|-----------------|-----|--|
| Black | OT16...80F | OHBS1AH1 | 1SCA105210R1001 | 150 | |
| Yellow-red | OT16...80F | OHYS1AH1 | 1SCA105291R1001 | 150 | |
| Silver | OT16...80F | OHSS1AH1 | 1SCA105275R1001 | 150 | |
| Grey | OT16...80F | OHGS1AH1 | 1SCA105262R1001 | 150 | |

IP 54 handles, padlockable with one padlock with bail diameter 5...6.3 mm, NEMA 1

| | | | | | |
|------------|-------------|---------|-----------------|-----|--|
| Black | OT16...125F | OHBS3AH | 1SCA105234R1001 | 150 | |
| Yellow-red | OT16...125F | OHYS3AH | 1SCA105325R1001 | 150 | |
| Silver | OT16...125F | OHSS3AH | 1SCA105283R1001 | 150 | |
| Grey | OT16...125F | OHGS3AH | 1SCA105270R1001 | 150 | |

IP 54 handles, padlockable with one padlock with bail diameter 5...6.3 mm, door interlock in ON-position, NEMA 1

| | | | | | |
|------------|-------------|----------|-----------------|-----|--|
| Black | OT16...125F | OHBS3AH1 | 1SCA105235R1001 | 150 | |
| Yellow-red | OT16...125F | OHYS3AH1 | 1SCA105326R1001 | 150 | |
| Silver | OT16...125F | OHSS3AH1 | 1SCA105284R1001 | 150 | |
| Grey | OT16...125F | OHGS3AH1 | 1SCA105271R1001 | 150 | |

IP 65 handles, padlockable with max. 3 padlocks with bail diameter 5...8 mm, door interlock in ON-position, defeatable, NEMA 1, 3R, 12

| | | | | | |
|------------|-------------|---------|-----------------|-----|--|
| Black | OT16...125F | OHBS2AJ | 1SCA105213R1001 | 120 | |
| Yellow-red | OT16...125F | OHYS2AJ | 1SCA105296R1001 | 120 | |
| Silver | OT16...125F | OHSS2AJ | 1SCA105278R1001 | 120 | |
| Grey | OT16...125F | OHGS2AJ | 1SCA105265R1001 | 120 | |

IP 65 handles, padlockable with max. 3 padlocks with bail diameter 5...8 mm, door interlock in ON-position, NEMA 1, 3R, 12

| | | | | | |
|------------|-------------|----------|-----------------|-----|--|
| Black | OT16...125F | OHBS2AJ1 | 1SCA105215R1001 | 120 | |
| Yellow-red | OT16...125F | OHYS2AJ1 | 1SCA105297R1001 | 120 | |
| Silver | OT16...125F | OHSS2AJ1 | 1SCA105279R1001 | 120 | |
| Grey | OT16...125F | OHGS2AJ1 | 1SCA105266R1001 | 120 | |

Handle with metal hasp

IP65 handles, NEMA 1, 3R, 12, padlockable with max. 3 padlocks, door interlock in the ON-position, defeatable.

| | | | | | |
|-------|-------------|-----------|-----------------|-----|--|
| Black | OT16...125F | OHBS2AJEH | 1SCA108230R1001 | 120 | |
|-------|-------------|-----------|-----------------|-----|--|

Round padlockable handles

Padlockable in 0-position, max 3 padlocks with max 8 mm hasp diameter.

One hole mounting handle, IP65, NEMA 4X outdoor, size 66x66

| | | | | | |
|------------|--------------|-----------|-----------------|----|------|
| Black | OT16...125F_ | OZ331SPB | 1SCA112983R1001 | 10 | 0.05 |
| Red-yellow | OT16...125F_ | OZ331SPRY | 1SCA113097R1001 | 10 | 0.05 |

IP67, IP69K, NEMA 4X, size 66x66

| | | | | | |
|------------|--------------|------------|-----------------|----|------|
| Black | OT16...125F_ | OZ331P67B | 1SCA111427R1001 | 10 | 0.04 |
| Red-yellow | OT16...125F_ | OZ331P67RY | 1SCA111429R1001 | 10 | 0.04 |

Handles with door coupling in ON-position, not defeatable, IP65, NEMA 4X, size 66x66

Shaft alignment ring for OZ371P_ handle, see page 31.

| | | | | | |
|------------|--------------|----------|-----------------|----|------|
| Black | OT16...125F_ | OZ371PB | 1SCA111684R1001 | 10 | 0.05 |
| Red-yellow | OT16...125F_ | OZ371PRY | 1SCA111685R1001 | 10 | 0.05 |



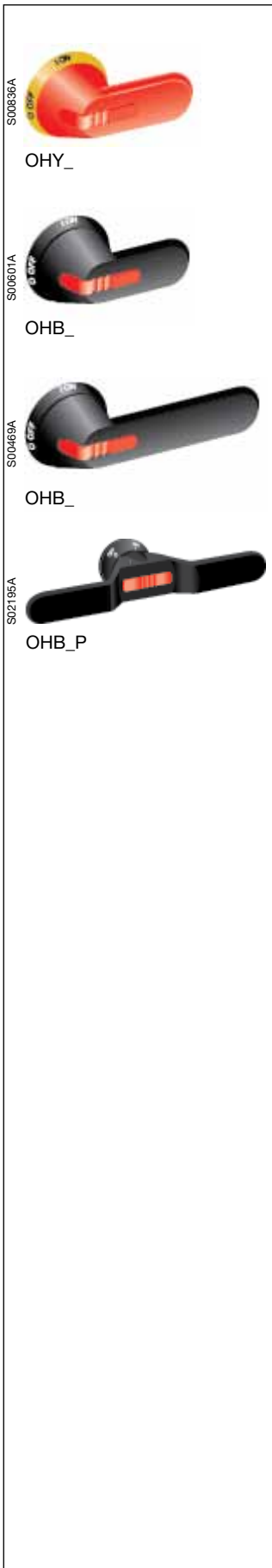


Optional handles Ordering information

Optional handles, base and DIN-rail mounted switches

Pistol type handles

OH_ handles: IP 65, NEMA 1,3R, 12, padlockable with three padlocks in OFF-position, door interlock in ON-position. Screw fixing from the back side of the handle. No screws on the front ensures double insulation. The type and the ordering numbers are for one piece.



| Colour | Handle length [mm] | Suitable for switches | Type | Order number | Delivery batch [pcs] | Weight/unit [kg] |
|--|--------------------|-----------------------|---------------|-----------------|----------------------|------------------|
| For shaft diameter 6 mm, indication in types OHB and OHY: I-O, ON-OFF, in types OHG: I-O | | | | | | |
| Black | 45 | OT16...125F | OHB45J6 | 1SCA022380R8770 | 100 | 0.10 |
| Yellow-red | 45 | OT16...125F | OHY45J6 | 1SCA022380R8930 | 100 | 0.10 |
| Grey | 45 | OT16...125F | OHG45J6 | 1SCA022380R8850 | 100 | 0.10 |
| For shaft diameter 6 mm, indication in types OHB and OHY: I-O, ON-OFF, in types OHG: I-O. | | | | | | |
| Black | 65 | OT160...250_ | OHB65J6 | 1SCA022380R9660 | 100 | 0.12 |
| Yellow-red | 65 | OT160...250_ | OHY65J6 | 1SCA022380R9820 | 100 | 0.12 |
| Grey | 65 | OT160...250_ | OHG65J6 | 1SCA022380R9740 | 100 | 0.12 |
| Black | 80 | OT160...250_ | OHB80J6 | 1SCA022381R0240 | 100 | 0.14 |
| Yellow-red | 80 | OT160...250_ | OHY80J6 | 1SCA022381R0410 | 100 | 0.14 |
| Grey | 80 | OT160...250_ | OHG80J6 | 1SCA022381R0320 | 100 | 0.14 |
| For shaft diameter 6 mm, indication: Test-OFF-ON/Test-0-I | | | | | | |
| Black | 65 | OT200...250_ | OHB65J6T | 1SCA022399R8110 | 100 | 0.12 |
| Yellow-red | 65 | OT200...250_ | OHY65J6T | 1SCA022456R9540 | 100 | 0.12 |
| For shaft diameter 12 mm, indication OHB and OHY: I-O, ON-OFF, in types OHG: I-O | | | | | | |
| Black | 95 | OT315...400_ | OHB95J12 | 1SCA022381R0830 | 90 | 0.16 |
| Yellow-red | 95 | OT315...400_ | OHY95J12 | 1SCA022381R1050 | 90 | 0.16 |
| Grey | 95 | OT315...400_ | OHG95J12 | 1SCA022381R0910 | 90 | 0.16 |
| Black | 125 | OT630...800_ | OHB125J12 | 1SCA022381R1560 | 90 | 0.17 |
| Yellow-red | 125 | OT630...800_ | OHY125J12 | 1SCA022381R1720 | 90 | 0.17 |
| Grey | 125 | OT630...800_ | OHG125J12 | 1SCA022381R1640 | 90 | 0.17 |
| Black | 145 | OT630...800_ | OHB145J12 | 1SCA022381R2110 | 90 | 0.17 |
| Yellow-red | 145 | OT630...800_ | OHY145J12 | 1SCA022381R2370 | 90 | 0.17 |
| Grey | 145 | OT630...800_ | OHG145J12 | 1SCA022381R2290 | 90 | 0.17 |
| Black | 2x150 | OT1000...2500 | OHB150J12P | 1SCA022865R9430 | 50 | 0.17 |
| Yellow-red | 2x150 | OT1000...2500 | OHY150J12P | 1SCA101586R1001 | 50 | 0.17 |
| Black | 2x200 | OT1000...2500 | OHB200J12P | 1SCA022865R9510 | 50 | 0.40 |
| Yellow-red | 2x200 | OT1000...2500 | OHY200J12P | 1SCA101587R1001 | 50 | 0.40 |
| Black | 275 | OETL3150 | OHB275J12 | 1SCA022381R2960 | 90 | 0.20 |
| Yellow-red | 275 | OETL3150 | OHY275J12 | 1SCA022381R3180 | 90 | 0.20 |
| Grey | 275 | OETL3150 | OHG275J12 | 1SCA022381R3000 | 90 | 0.20 |
| For shaft diameter 12 mm, indication: Test-OFF-ON/Test-0-I | | | | | | |
| Black | 95 | OT315...400 | OHB95J12T | 1SCA022736R1750 | 90 | 0.16 |
| Yellow-red | 95 | OT315...400 | OHY95J12T | 1SCA022736R1910 | 90 | 0.16 |
| Black | 125 | OT630...800 | OHB125J12T | 1SCA022652R2220 | 90 | 0.17 |
| Yellow-red | 125 | OT630...800 | OHY125J12T | 1SCA022652R2310 | 90 | 0.17 |
| Black | 145 | OT630...800 | OHB145J12T | 1SCA022652R2570 | 90 | 0.17 |
| Yellow-red | 145 | OT630...800 | OHY145J12T | 1SCA022652R2650 | 90 | 0.17 |
| Black | 175 | OT630...800 | OHB175J12T | 1SCA022708R0740 | 90 | 0.18 |
| Yellow-red | 175 | OT630...800 | OHY175J12T | 1SCA111508R1001 | 90 | 0.18 |
| Black | 2x200 | OT1000...2500 | OHB200J12PT | 1SCA106510R1001 | 50 | 0.40 |
| Yellow-red | 2x200 | OT1000...2500 | OHY200J12PT | 1SCA111512R1001 | 50 | 0.40 |
| For shaft diameter 12 mm, indication: I-O-II | | | | | | |
| Black | 275 | OETL3150 | OHB275J12E011 | 1SCA022460R7220 | 90 | 0.19 |
| Yellow-red | 275 | OETL3150 | OHY275J12E011 | 1SCA022460R7310 | 90 | 0.19 |
| Grey | 275 | OETL3150 | OHG275J12E011 | 1SCA022460R7490 | 90 | 0.19 |

• Door interlocking in ON-position means that the door can not be opened, when the handle is in ON-position. This can be defeated in IP 65 types to allow authorized personnel access for inspection.

• NEMA 4, 4x pistol handles available on request.
• Handles padlockable in all positions available on request.

Optional handles, base mounted switches

Handles for direct mounting

| Colour | Handle length [mm] | Suitable for switches | Type | Order number | Units/type [pcs] | Weight/unit [kg] |
|---|--------------------|-----------------------|-----------|-----------------|------------------|------------------|
| Indication Test-OFF-ON/Test-O-I. Padlockable with three padlocks in OFF-position. Includes shaft and mechanism cover. | | | | | | |
| Black | 65 | OT200...250_K | OTV250EK | 1SCA022763R2700 | 1 | 0.10 |
| Yellow-red | 65 | OT200...250_K | OTVY250EK | 1SCA022772R7910 | 1 | 0.10 |
| Black | 95 | OT315...400_K | OTV400EK | 1SCA022763R2960 | 1 | 0.20 |
| Yellow-red | 95 | OT315...400_K | OTVY400EK | 1SCA022772R7830 | 1 | 0.20 |
| Black | 125 | OT630...800_K | OTV800EK | 1SCA022804R6340 | 1 | 0.30 |
| Yellow-red | 125 | OT630...800_K | OTVY800EK | 1SCA022810R2780 | 1 | 0.30 |
| Black | 2x200 | OT1000...2500_K | OTV1000EK | 1SCA106608R1001 | 1 | |

Metallic handles

IP65, NEMA 1, 3R, 4, 4x, 12, padlockable with 3 padlocks in OFF- position, door interlock in ON-position.

For shaft diameter 12 mm, indication I-O

| | | | | | | |
|-------|-----|---------------|---------|-----------------|---|------|
| Black | 220 | OETL3150 | YASDA7 | 1SCA022071R3010 | 1 | 0.68 |
| Black | 320 | OT1000...2500 | YASDA35 | 1SCA104400R1001 | 1 | 0.80 |

For shaft diameter 12 mm, indication ON-OFF

| | | | | | | |
|-------|-----|----------|--------|-----------------|---|------|
| Black | 220 | OETL3150 | YASDA8 | 1SCA022071R3270 | 1 | 0.68 |
|-------|-----|----------|--------|-----------------|---|------|

IP44, padlockable with 3 padlocks in OFF- position, door interlock in I- and II- position.

For shaft diameter 12 mm, indication I-O-II

| | | | | | | |
|-------|-----|----------|---------|-----------------|---|------|
| Black | 220 | OETL3150 | YASDA21 | 1SCA022098R9420 | 1 | 0.68 |
| Black | 320 | OETL3150 | YASDA6 | 1SCA022071R2890 | 1 | 0.80 |

Stainless steel handles

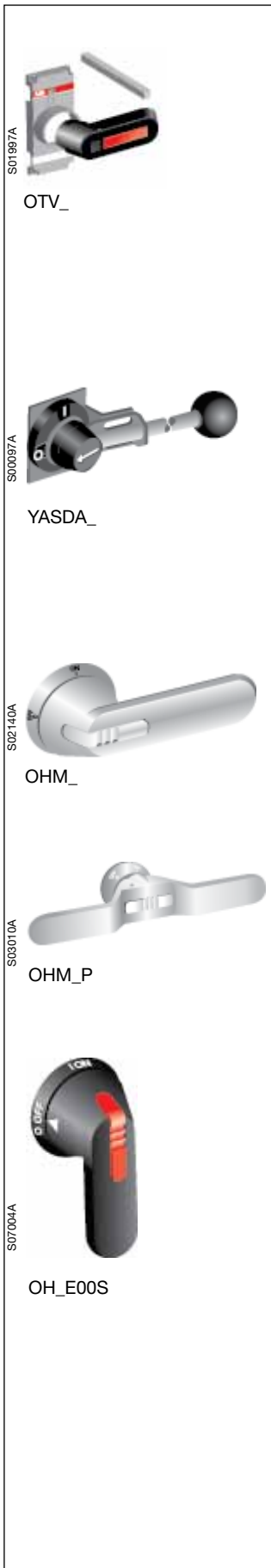
Stainless steel handles, indication I-O/ON-OFF, padlockable with 3 padlocks in the OFF-position, door interlock in the ON-position, IP66 (NEMA 4X)

| Colour | Handle length [mm] | Type | Order number | Units/type [pcs] | Weight/unit [kg] |
|---------------------------------|--------------------|------------|-----------------|------------------|------------------|
| For shaft diameter 6 mm | | | | | |
| Grey | 65 | OHM65L6 | 1SCA022739R1070 | 1 | 0.73 |
| For shaft diameter 12 mm | | | | | |
| Grey | 125 | OHM125L12 | 1SCA022739R1150 | 1 | 0.76 |
| Grey | 175 | OHM175L12 | 1SCA022739R1230 | 1 | 0.83 |
| Grey | 275 | OHM275L12 | 1SCA022832R4840 | 1 | 0.96 |
| Grey | 2x200 | OHM200L12P | 1SCA104439R1001 | 1 | 2.0 |

For side operated switch disconnectors, IP 65, Nema type 1, 3R, 12

For mounting on the side of the enclosure. Padlockable with three padlocks in the OFF-position, door interlock in the ON-position, IP 65. The position indications are rotated 90°. If the handle is mounted on the front of the door, a standard handle can be used as well.

| Colour | Handle length [mm] | Type | Order number | Units/type [pcs] | Weight/unit [kg] |
|---|--------------------|---------------|-----------------|------------------|------------------|
| For shaft diameter 6 mm | | | | | |
| Plastic handles, black and red-yellow: I-O/ON-OFF, grey: I-O. | | | | | |
| Black | 65 | OHB65J6E00S | 1SCA022382R9850 | 1 | 0.12 |
| Red-yellow | 65 | OHY65J6E00S | 1SCA022382R9930 | 1 | 0.12 |
| Grey | 65 | OHG65J6E00S | 1SCA022383R4510 | 1 | 0.12 |
| Plastic handles, black and red-yellow: Test/I-O/ON-OFF, grey: Test/I-O. | | | | | |
| Black | 65 | OHB65J6TE00S | 1SCA109016R1001 | 1 | 0.12 |
| Red-yellow | 65 | OHY65J6TE00S | 1SCA022688R0140 | 1 | 0.12 |
| Grey | 65 | OHG65J6TE00S | 1SCA109014R1001 | 1 | 0.12 |
| For shaft diameter 12 mm | | | | | |
| Plastic handles, indication I-O/ON-OFF | | | | | |
| Black | 145 | OHB145J12E00S | 1SCA022679R9700 | 1 | 0.17 |





Optional handles Ordering information

Optional handles, door mounted switches

Selector type handles

Indication I-O and ON-OFF. No separate shaft needed.
The type and the ordering numbers are for one piece.

| Colour | Suitable for switches | Type | Order number | Delivery batch [pcs] |
|--------|-----------------------|------|--------------|----------------------|
|--------|-----------------------|------|--------------|----------------------|

Snap-on mounting, door drilling 22,5 mm

No padlocking, IP 54, NEMA 1

| | | | | |
|------------|-------------|---------|-----------------|-----|
| Black | OT16...40FT | OHBS1PH | 1SCA105211R1001 | 150 |
| Yellow-red | OT16...40FT | OHYS1PH | 1SCA105294R1001 | 150 |
| Silver | OT16...40FT | OHSS1PH | 1SCA105276R1001 | 150 |
| Grey | OT16...40FT | OHGS1PH | 1SCA105263R1001 | 150 |

Padlockable with one padlock, IP 54, NEMA 1

| | | | | |
|------------|-------------|---------|-----------------|-----|
| Black | OT16...40FT | OHBS3PH | 1SCA105236R1001 | 150 |
| Yellow-red | OT16...40FT | OHYS3PH | 1SCA105327R1001 | 150 |
| Silver | OT16...40FT | OHSS3PH | 1SCA105285R1001 | 150 |
| Grey | OT16...40FT | OHGS3PH | 1SCA105272R1001 | 150 |

Padlockable with max. 3 padlocks, IP 65, NEMA 1, 3R, 12

| | | | | |
|------------|-------------|---------|-----------------|-----|
| Black | OT16...40FT | OHBS2PJ | 1SCA105231R1001 | 120 |
| Yellow-red | OT16...40FT | OHYS2PJ | 1SCA105322R1001 | 120 |
| Silver | OT16...40FT | OHSS2PJ | 1SCA105280R1001 | 120 |
| Grey | OT16...40FT | OHGS2PJ | 1SCA105268R1001 | 120 |

Screw mounting, hole distance 36 mm

No padlocking, IP 54, NEMA 1

| | | | | |
|------------|-------------|---------|-----------------|-----|
| Black | OT16...80FT | OHBS1RH | 1SCA105212R1001 | 150 |
| Yellow-red | OT16...80FT | OHYS1RH | 1SCA105295R1001 | 150 |
| Silver | OT16...80FT | OHSS1RH | 1SCA105277R1001 | 150 |
| Grey | OT16...80FT | OHGS1RH | 1SCA105264R1001 | 150 |

Padlockable with one padlock, IP 54, NEMA 1

| | | | | |
|------------|-------------|---------|-----------------|-----|
| Black | OT16...80FT | OHBS3RH | 1SCA105237R1001 | 150 |
| Yellow-red | OT16...80FT | OHYS3RH | 1SCA105328R1001 | 150 |
| Silver | OT16...80FT | OHSS3RH | 1SCA105286R1001 | 150 |
| Grey | OT16...80FT | OHGS3RH | 1SCA105273R1001 | 150 |

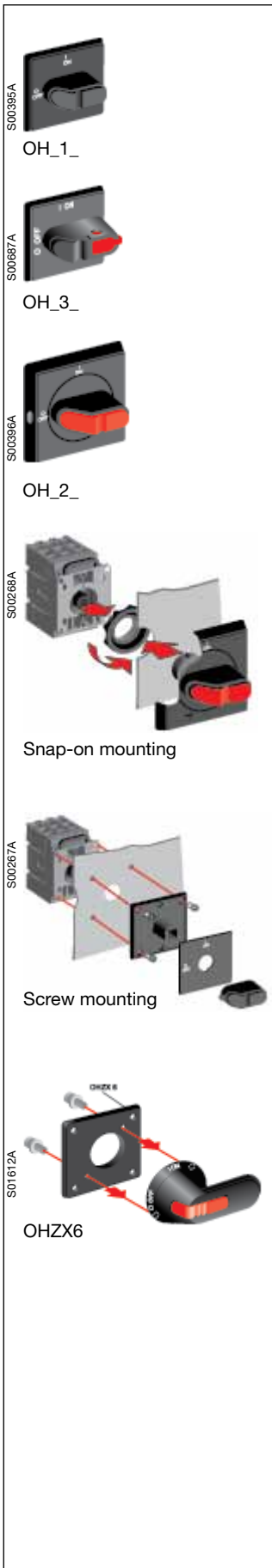
Padlockable with max. 3 padlocks, IP 65, hole distance 36/48 mm, NEMA 1, 3R, 12

| | | | | |
|------------|--------------|---------|-----------------|-----|
| Black | OT16...125FT | OHBS2RJ | 1SCA105232R1001 | 120 |
| Yellow-red | OT16...125FT | OHYS2RJ | 1SCA105323R1001 | 120 |
| Silver | OT16...125FT | OHSS2RJ | 1SCA105281R1001 | 120 |
| Grey | OT16...125FT | OHGS2RJ | 1SCA105269R1001 | 120 |

Pistol handle mounting kit for OT 100...125 FT_ switches

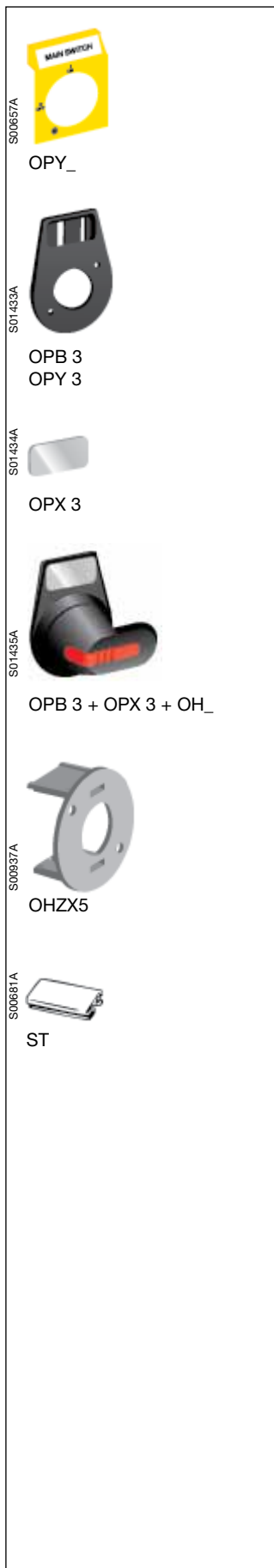
Pistol handle is not included

| | | | |
|-------|-------|-----------------|----|
| Black | OHZX6 | 1SCA022559R5670 | 10 |
|-------|-------|-----------------|----|



• Door interlocking in ON-position means that the door can not be opened, when the handle is in ON-position.
This can be defeated in IP 65 types to allow authorized personnel access for inspection.

• NEMA 4, 4x pistol handles available on request.
• Handles padlockable in all positions are available on request.



Legend plates for selector type handles

| Description | Type | Order number | Units/ type [pcs] |
|--|----------|-----------------|-------------------------|
| Plain plates for OH 1_ and OH 3_ handles. | | | |
| Black | OPBS1 | 1SCA111519R1001 | 1 |
| Yellow | OPYS1 | 1SCA111528R1001 | 1 |
| Silver | OPSS1 | 1SCA111523R1001 | 1 |
| Grey | OPGS1 | 1SCA111563R1001 | 1 |
| Plain plates for OH 2_ handles. | | | |
| Black | OPB2 | 1SCA022353R4110 | 1 |
| Yellow | OPY2 | 1SCA022353R4200 | 1 |
| Silver | OPS2 | 1SCA022353R4460 | 1 |
| Grey | OPG2 | 1SCA022353R4380 | 1 |
| Printed plates for OH 1_ and OH3_ handles. Text: MAIN SWITCH. | | | |
| Black | OPBS1EN1 | 1SCA111520R1001 | 1 |
| Yellow | OPYS1EN1 | 1SCA111530R1001 | 1 |
| Silver | OPSS1EN1 | 1SCA111525R1001 | 1 |
| Grey | OPGS1EN1 | 1SCA111526R1001 | 1 |
| Printed plates for OH 2_ handles. Text: MAIN SWITCH. | | | |
| Black | OPB2EN1 | 1SCA022400R2070 | 1 |
| Yellow | OPY2EN1 | 1SCA022400R2740 | 1 |
| Silver | OPS2EN1 | 1SCA022400R2230 | 1 |
| Grey | OPG2EN1 | 1SCA022400R2310 | 1 |

Legend plates for pistol type handles

| Holder | Text | Type | Order number | Units/ type [pcs] |
|------------------------|-----------------------------|-----------|-----------------|-------------------------|
| Black | | OPB3 | 1SCA022679R3410 | 1 |
| Yellow | | OPY3 | 1SCA022695R0450 | 1 |
| Lettering plate | | | | |
| Silver | <i>Blanco</i> | OPX3 | 1SCA022679R3500 | 1 |
| Silver | Pääkytkin | OPX3FI1 | 1SCA022695R0530 | 1 |
| Silver | Main Switch | OPX3EN1 | 1SCA022695R0610 | 1 |
| Silver | Hauptschalter | OPX3DE1 | 1SCA022695R0700 | 1 |
| Silver | Huvudbrytare | OPX3SE1 | 1SCA022695R0880 | 1 |
| Silver | <i>Customer's own text,</i> | OPX3/TEXT | 1SCA022696R6370 | 1 |

Handle support

Suitable for OT 160

For direct mounting of OH_65, 80 handles on the switch mechanism.
The type and the ordering numbers are for one piece.

| Colour | Height from the bottom of the switch | Type | Order number | Delivery batch [pcs] |
|--------|--|-------|----------------|----------------------------|
| Black | 83 mm | OHZX5 | 1SCA22467R5060 | 10 |

Labelling accessories

Suitable for OT63F, OT80F, OT100F and OT125F

| Description | Type | Order number | Units/ type [pcs] | Weight/ unit [kg] |
|---|------|-----------------|-------------------------|-------------------------|
| Label carrier, snap-on fixing | ST | 1SCA022407R8210 | 10 | 0.01 |
| Description label, in a sheet 250 labels | ST-E | 1SCA022407R8300 | 1 | 0.01 |



Shafts

Ordering information

Shafts

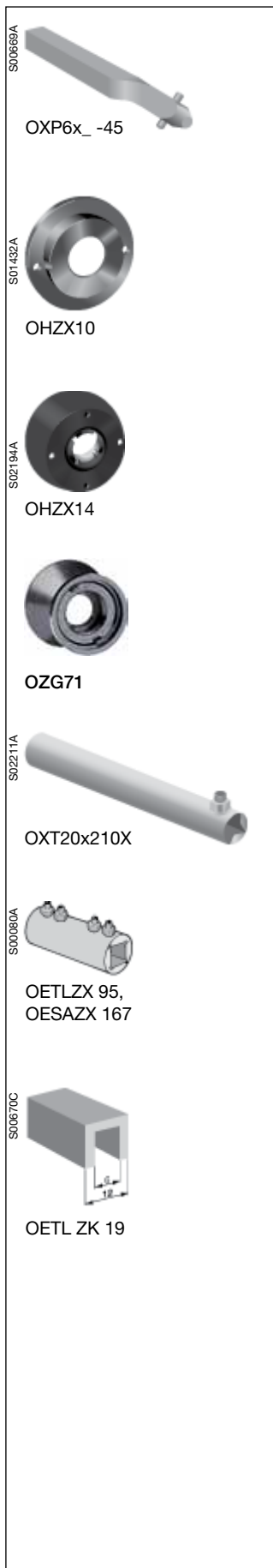
The type and ordering numbers are for one piece

| Shaft length [mm] | H [mm] | Suitable for switches | Type | Order number | Delivery batch [pcs] | Weight/unit [kg] |
|---|------------------------|-----------------------------|-----------|-----------------|----------------------|------------------|
| For selector type handles. Shaft diameter 6 mm. | | | | | | |
| 85 | See dimension drawings | OT16...125F | OXS6X85 | 1SCA101647R1001 | 10 | 0.02 |
| 105 | | OT16...125F | OXS6X105 | 1SCA108043R1001 | 10 | 0.02 |
| 120 | | OT16...125F | OXS6X120 | 1SCA101654R1001 | 10 | 0.03 |
| 130 | | OT16...125F | OXS6X130 | 1SCA101655R1001 | 10 | 0.03 |
| 160 | | OT16...125F | OXS6X160 | 1SCA101656R1001 | 10 | 0.04 |
| 180 | | OT16...125F | OXS6X180 | 1SCA101659R1001 | 10 | 0.04 |
| 250 | | OT16...125F | OXS6X250 | 1SCA101660R1001 | 10 | 0.05 |
| 330 | | OT16...125F | OXS6X330 | 1SCA101661R1001 | 10 | 0.05 |
| For round padlockable type handles. Shaft diameter 6 mm. | | | | | | |
| 60 | See dimension drawings | OT16...125F | OX6X60 | 1SCA111459R1001 | 10 | 0.02 |
| 85 | | OT16...125F | OX6X85 | 1SCA111274R1001 | 10 | 0.02 |
| 105 | | OT16...125F | OX6X105 | 1SCA111930R1001 | 10 | 0.02 |
| 115 | | OT16...125F | OX6X115 | 1SCA111931R1001 | 10 | 0.03 |
| 130 | | OT16...125F | OX6X130 | 1SCA111460R1001 | 10 | 0.03 |
| 155 | | OT16...125F | OX6X155 | 1SCA111275R1001 | 10 | 0.04 |
| 200 | | OT16...125F | OX6X200 | 1SCA111932R1001 | 10 | 0.04 |
| 300 | | OT16...125F | OX6X300 | 1SCA111933R1001 | 10 | 0.05 |
| For pistol type handles. Shaft diameter 6 mm. | | | | | | |
| 150 | See dimension drawings | OT16...125F | EXP6X150 | 1SCA022295R5600 | 10 | 0.05 |
| 170 | | OT16...125F | EXP6X170 | 1SCA108224R1001 | 10 | 0.05 |
| 265 | | OT16...125F | EXP6X265 | 1SCA108225R1001 | 10 | 0.08 |
| 400 | | OT16...125F | EXP6X400 | 1SCA108226R1001 | 10 | 0.12 |
| Shaft diameter 6 mm ¹⁾ | | | | | | |
| 130 | 105 ... 135 | OT160 | EXP6X130 | 1SCA022057R0570 | 10 | 0.04 |
| 150 | 125 ... 155 | OT160 | EXP6X150 | 1SCA022295R5600 | 10 | 0.05 |
| 210 | 185 ... 215 | OT160 | EXP6X210 | 1SCA022295R6080 | 10 | 0.06 |
| 130 | 109...174 | OT200...250 | EXP6X130 | 1SCA022057R0570 | 10 | 0.04 |
| 150 | 129...194 | OT200...250 | EXP6X150 | 1SCA022295R5600 | 10 | 0.05 |
| 161 | 140...205 | OT200...250 | EXP6X161 | 1SCA022067R1760 | 10 | 0.05 |
| 210 | 189...254 | OT200...250 | EXP6X210 | 1SCA022295R6080 | 10 | 0.06 |
| 290 | 269...334 | OT200...250 | EXP6X290 | 1SCA022042R6370 | 10 | 0.08 |
| Shaft diameter 12 mm | | | | | | |
| 166 | 146...226 | OT315...400 | EXP12X166 | 1SCA022325R7100 | 1 | 0.20 |
| 185 | 165...245 | OT315...400 | EXP12X185 | 1SCA022325R6710 | 1 | 0.20 |
| 250 | 230...310 | OT315...400 | EXP12X250 | 1SCA022325R6980 | 1 | 0.28 |
| 280 | 260...340 | OT315...400 | EXP12X280 | 1SCA022137R5140 | 1 | 0.30 |
| 325 | 305...385 | OT315...400 | EXP12X325 | 1SCA022042R5810 | 1 | 0.36 |
| 395 | 445...525 | OT315...400 | EXP12X395 | 1SCA022042R5990 | 1 | 0.43 |
| 465 | 439...519 | OT315...400 | EXP12X465 | 1SCA022042R6020 | 1 | 0.51 |
| 535 | 515...595 | OT315...400 | EXP12X535 | 1SCA022042R6110 | 1 | 0.59 |
| 250 | 230...345 | OT630...800 | EXP12X250 | 1SCA022325R6980 | 1 | 0.28 |
| 280 | 260...375 | OT630...800 | EXP12X280 | 1SCA022137R5140 | 1 | 0.30 |
| 325 | 305...420 | OT630...800 | EXP12X325 | 1SCA022042R5810 | 1 | 0.36 |
| 395 | 375...490 | OT630...800 | EXP12X395 | 1SCA022042R5990 | 1 | 0.43 |
| 465 | 445...560 | OT630...800 | EXP12X465 | 1SCA022042R6020 | 1 | 0.51 |
| 535 | 515...630 | OT630...800 | EXP12X535 | 1SCA022042R6110 | 1 | 0.59 |
| 250 | 226...355 | OT1000...2500 | EXP12X250 | 1SCA022325R6980 | 1 | 0.28 |
| 280 | 256...385 | OT1000...2500 ²⁾ | EXP12X280 | 1SCA022137R5140 | 1 | 0.30 |
| 325 | 301...430 | OT1000...2500 ²⁾ | EXP12X325 | 1SCA022042R5810 | 1 | 0.36 |
| 395 | 371...500 | OT1000...2500 ²⁾ | EXP12X395 | 1SCA022042R5990 | 1 | 0.43 |
| 465 | 441...570 | OT1000...2500 ²⁾ | EXP12X465 | 1SCA022042R6020 | 1 | 0.51 |
| 535 | 511...640 | OT1000...2500 ²⁾ | EXP12X535 | 1SCA022042R6110 | 1 | 0.59 |
| 325 | 340...535 | OETL3150 | EXP12X325 | 1SCA022042R5810 | 1 | 0.36 |
| 395 | 410...605 | OETL3150 | EXP12X395 | 1SCA022042R5990 | 1 | 0.43 |
| 465 | 480...675 | OETL3150 | EXP12X465 | 1SCA022042R6020 | 1 | 0.51 |
| 535 | 550...745 | OETL3150 | EXP12X535 | 1SCA022042R6110 | 1 | 0.59 |

¹⁾ Longer shafts on request

²⁾ Wide versions OT1000-1600W

- with shafts over 280 mm, shaft tube OXT20x210X must be used, see page 31



OXP6x_ -45

OHZX10

OHZX14

OZG71

OXT20x210X

OETLZX 95,
OESAZX 167

OETL ZK 19

Shafts

Twisted shafts for pistol type handles, the shaft position is rotated 45 degrees. The type and the ordering numbers are for one piece.

| Shaft length [mm] | H dimension [mm] | Suitable for switches | Type | Order number | Delivery batch [pcs] | Weight/unit [kg] |
|-------------------|------------------|-----------------------|------|--------------|----------------------|------------------|
|-------------------|------------------|-----------------------|------|--------------|----------------------|------------------|

For pistol type handles. Shaft diameter 6 mm.

| | | | | | | |
|-----|------------------------|-------------|-------------|-----------------|----|------|
| 150 | See dimension drawings | OT16...125F | OXF6X150-45 | 1SCA022294R4400 | 10 | 0.05 |
| 170 | | OT16...125F | OXF6X170-45 | 1SCA108227R1001 | 10 | 0.05 |
| 265 | | OT16...125F | OXF6X265-45 | 1SCA108228R1001 | 10 | 0.08 |
| 400 | | OT16...125F | OXF6X400-45 | 1SCA108229R1001 | 10 | 0.12 |
| 130 | 109...174 | OT200...250 | OXF6X130-45 | 1SCA022355R9110 | 10 | 0.04 |
| 150 | 129...194 | OT200...250 | OXF6X150-45 | 1SCA022294R4400 | 10 | 0.05 |
| 210 | 189...254 | OT200...250 | OXF6X210-45 | 1SCA022294R4230 | 10 | 0.06 |
| 290 | 269...334 | OT200...250 | OXF6X290-45 | 1SCA022304R4290 | 10 | 0.08 |

Shaft diameter 12 mm

| | | | | | | |
|-----|-----------|---------------|--------------|-----------------|---|------|
| 250 | 230...310 | OT315...400 | OXF12X250-45 | 1SCA022293R9400 | 1 | 0.28 |
| 280 | 260...340 | OT315...400 | OXF12X280-45 | 1SCA022382R0800 | 1 | 0.30 |
| 325 | 305...385 | OT315...400 | OXF12X325-45 | 1SCA022304R4450 | 1 | 0.36 |
| 395 | 445...525 | OT315...400 | OXF12X395-45 | 1SCA022749R0640 | 1 | 0.43 |
| 465 | 439...519 | OT315...400 | OXF12X465-45 | 1SCA022423R1770 | 1 | 0.51 |
| 535 | 515...595 | OT315...400 | OXF12X535-45 | 1SCA022723R2940 | 1 | 0.59 |
| 250 | 226...355 | OT1000...2500 | OXF12X250-45 | 1SCA022293R9400 | 1 | 0.28 |
| 280 | 256...385 | OT1000...2500 | OXF12X280-45 | 1SCA022382R0800 | 1 | 0.30 |
| 325 | 301...430 | OT1000...2500 | OXF12X325-45 | 1SCA022304R4450 | 1 | 0.36 |
| 395 | 371...500 | OT1000...2500 | OXF12X395-45 | 1SCA022749R0640 | 1 | 0.43 |
| 465 | 441...570 | OT1000...2500 | OXF12X465-45 | 1SCA022423R1770 | 1 | 0.51 |
| 535 | 511...640 | OT1000...2500 | OXF12X535-45 | 1SCA022723R2940 | 1 | 0.59 |
| 325 | 340...535 | OETL3150 | OXF12X325-45 | 1SCA022304R4450 | 1 | 0.36 |
| 395 | 410...605 | OETL3150 | OXF12X395-45 | 1SCA022749R0640 | 1 | 0.43 |
| 465 | 480...675 | OETL3150 | OXF12X465-45 | 1SCA022423R1770 | 1 | 0.51 |
| 535 | 550...745 | OETL3150 | OXF12X535-45 | 1SCA022723R2940 | 1 | 0.59 |

Shaft alignment ring

Improves the handle operation if a handle and a shaft have been poorly aligned. The type and the ordering numbers are for one piece.

| Colour | Suitable for handle | Type | Order number | Delivery batch [pcs] | Weight/unit [kg] |
|--------|---------------------|------|--------------|----------------------|------------------|
|--------|---------------------|------|--------------|----------------------|------------------|

For pistol type handles OH_65...275J6...12.

| | | | | | |
|-------|--|--------|-----------------|----|------|
| Black | | OHZX10 | 1SCA022661R3610 | 10 | 0.23 |
|-------|--|--------|-----------------|----|------|

For selector type handles OH_1...3

| | | | | | |
|-------|--|--------|-----------------|----|------|
| Black | | OHZX11 | 1SCA022708R3170 | 10 | 0.23 |
|-------|--|--------|-----------------|----|------|

For round padlockable handle OZ371P_

| | | | | | |
|-------|--|-------|-----------------|----|------|
| Black | | OZG71 | 1SCA111686R1001 | 10 | 0.05 |
|-------|--|-------|-----------------|----|------|

Extension ring for pistol type handles

| | | | | | |
|-------|------|--------|-----------------|---|------|
| Black | OHB_ | OHZX14 | 1SCA022851R6590 | 1 | 0.06 |
|-------|------|--------|-----------------|---|------|

Shaft tube for OT1000...2500

For switch-disconnectors with wide phase distance (140 mm or 185 mm) Supporting 12 mm shafts longer than 280 mm

| | | | | | |
|--|--|------------|-----------------|---|-----|
| | | OXT20x210X | 1SCA103684R1001 | 1 | 1.5 |
|--|--|------------|-----------------|---|-----|

Shaft extension socket

For extending the shaft of combination attachment.

| Shaft diameter [mm] | Type | Order number | Units/type [pcs] | Weight/unit [kg] |
|---------------------|-----------|-----------------|------------------|------------------|
| 6 | OESAZX167 | 1SCA022190R1560 | 1 | 0.03 |
| 12 | OETLZX95 | 1SCA022083R5620 | 1 | 0.04 |

Adapter for extension socket

The adapter can be placed inside the extension socket OETLZX95.

| | | | | |
|---|----------|-----------------|---|------|
| 6 | OETLZK19 | 1SCA022093R1850 | 1 | 0.02 |
|---|----------|-----------------|---|------|

Auxiliary contact blocks, IP 20

Contact numbering according to EN 50013. The type and the ordering numbers are for one piece.

| Suitable for switches | Function | Type | Order number | Delivery batch ⁴⁾ [pcs] | Weight/unit [kg] |
|-----------------------|----------|------|--------------|------------------------------------|------------------|
|-----------------------|----------|------|--------------|------------------------------------|------------------|

Auxiliary contact blocks for OT 16...125

Snap-on mounting to the side of the switch

$I_{th} = 16A$, cable cross section max. $2 \times 2.5 \text{ mm}^2$. Early-break type OA1G10

Mountable on left side, max. 2 pcs

| | | | | | |
|---|-----|------------------------|-----------------|----|------|
| OT 16...125F_ ₋ , FT_ ₋ | 1NC | OA1G01 | 1SCA022353R4890 | 10 | 0.03 |
| OT 16...125F_ ₋ , FT_ ₋ | 1NC | OA1G01AU ¹⁾ | 1SCA022436R7830 | 10 | 0.03 |

Mountable on the right side, max. 2 pcs

| | | | | | |
|---|-----|------------------------|-----------------|----|------|
| OT 16...125F_ ₋ , FT_ ₋ | 1NO | OA1G10 | 1SCA022353R4970 | 10 | 0.03 |
| OT 16...125F_ ₋ , FT_ ₋ | 1NO | OA1G10AU ¹⁾ | 1SCA022436R7910 | 10 | 0.03 |

Mountable on both sides

OT 16...40: max. 2NO+2NC, OT63...125: max. 4NO+4NC³⁾

| | | | | | |
|----------------------------|---------|----------------------|-----------------|----|------|
| OT 16...125F_ ₋ | 1NO+1NC | OA2G11 ²⁾ | 1SCA022379R8100 | 10 | 0.03 |
|----------------------------|---------|----------------------|-----------------|----|------|

Auxiliary contact blocks for OT160

Mounting with adapter to the side of the switch

$I_{th} = 16A$, cable cross section max. $2 \times 2.5 \text{ mm}^2$. Mounting with the adapter OAZX1, max. 2 blocks/side.

| | | | | | |
|---|---------|--------|-----------------|----|------|
| OT160E_ ₋ , ET_ ₋ | 1NO+1NC | OA2G11 | 1SCA022379R8100 | 10 | 0.03 |
|---|---------|--------|-----------------|----|------|

Mounting with adapter on top of the switch

$I_{th} = 10A$. Cable cross section $0.5 \text{ mm}^2 \dots 2 \times 2.5 \text{ mm}^2$. Insulation voltage U_i 690 V. Mounting with the adapter OEZNP1, max. 6 aux. blocks. Early break type.

| | | | | | |
|----------------------|-----|------------------------|-----------------|----|------|
| OT160E_ ₋ | 1NO | OBEA10 | 1SCA022190R3000 | 10 | 0.02 |
| OT160E_ ₋ | 1NO | OBEA10AU ¹⁾ | 1SCA022185R3310 | 10 | 0.02 |
| OT160E_ ₋ | 1NC | OBEA01 | 1SCA022190R3260 | 10 | 0.02 |
| OT160E_ ₋ | 1NC | OBEA01AU ¹⁾ | 1SCA022185R3730 | 10 | 0.02 |

Auxiliary contact blocks for OT200...2500

Mounting under the mechanism cover

The "test" contacts operate in ON- and OFF-positions as well as when the handle is turned to TEST-position = 45 degrees over the OFF-position. The "test indication" contacts operate only when the handle is turned to TEST-position. See the function table below. The OA1G10 (N.O.) or OA3G01 (N.C.) auxiliary contact blocks can be used as standard auxiliary contacts, "test" or "test indication" contacts. The desired functions are achieved when an auxiliary contact block is installed in a specific place shown in the mounting instruction. In order to activate the "test" and "test indication" features a handle with test function is required. See the optional handles, page 26.

OT200-250: Max. 4 test contacts or 2 test contacts + 2 test indication contacts.

OT315-800: Max. 4 test contacts + 4 test indication contacts.

OT1000-2500: Max 4 test indication contacts + 6 test contacts + 2 early operation test contacts.

The test contacts can be used as standard auxiliary contacts as well.

Function table of OT200...2500 auxiliary contacts

| Handle position | Main contacts | Aux. / Test contacts N.O. | Test indication contact N.O. |
|-----------------|---------------|---------------------------|------------------------------|
| Test | open | closed | closed |
| 0 | open | open | open |
| I | closed | closed | open |

Mounting on the left side of the switch

Max. 8 auxiliary contact blocks with the OEA28 module.

| | | | | | |
|--------------|-----|------------------------|-----------------|----|------|
| OT200...2500 | 1NO | OA1G10 | 1SCA022353R4970 | 10 | 0.03 |
| | 1NO | OA1G10AU ¹⁾ | 1SCA022436R7910 | 10 | 0.03 |
| | 1NC | OA3G01 | 1SCA022456R7410 | 10 | 0.03 |
| | 1NC | OA3G01AU ¹⁾ | 1SCA022819R5260 | 10 | 0.03 |

¹⁾ Types **_AU** are gold plated for extremely difficult circumstances and low voltages.

²⁾ Not mountable on the same side as the fourth pole.

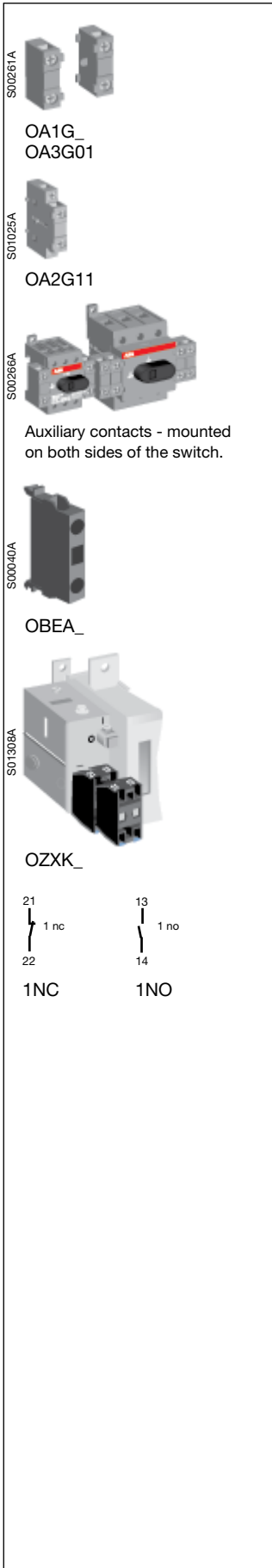
³⁾ Contact numbering:
 (83) (43) (53) 13 21 (61) (31) (71)
 (84) (44) (54) 14 22 (62) (32) (72)

⁴⁾ Auxiliary contacts OA1G_₋ are available in larger packing as well. A bulk package includes 50 switches. Type number: add a suffix: /B, e.g. OA1G01/B.

Early break type auxiliary contacts means that in the switches, the NO aux.contacts break before the main contacts open.

Performance data of auxiliary contacts, see next page.

The contact timing: see the charts on page 64.



13 21 14 22 13 21 33 41 14 22 34 42

1NO+1NC 2NO+2NC

13 21 33 41 53 61 73 81 14 22 34 42 54 62 74 82

4NO+4NC

13 23 14 24 13 23 33 43 14 24 34 44

2NO 4NO

13 23 33 43 53 63 73 83 14 24 34 44 54 64 74 84

8NO

OA2G11

OAZX1

OEZNP 1

OEA28

Configuration labels:
OBEAZX 10 OBEAZX 01

Auxiliary contact blocks, IP 20

Contact numbering according to EN 50013. The type and the ordering numbers are for one piece.

| Suitable for switches | Function | Type | Order number | Delivery batch [pcs] | Weight/unit [kg] |
|-----------------------|----------|------|--------------|----------------------|------------------|
|-----------------------|----------|------|--------------|----------------------|------------------|

Auxiliary contact blocks for OETL3150

Mounting on the mechanism cover

$I_{th} = 10$ A. Cable cross section 0.5 mm²...2 x 2.5 mm². Insulation voltage U_i 690 V. Early break type.

| | | | | | |
|----------|---------|---------------------|-----------------|---|------|
| OETL3150 | 1NO+1NC | OZXK1 | 1SCA022131R8690 | 1 | 0.12 |
| OETL3150 | 2NO+2NC | OZXK2 | 1SCA022131R8850 | 1 | 0.12 |
| OETL3150 | 4NO+4NC | OZXK3 ¹⁾ | 1SCA022131R9070 | 1 | 0.18 |
| OETL3150 | 2NO | OZXK4 | 1SCA022131R9230 | 1 | 0.09 |
| OETL3150 | 4NO | OZXK5 | 1SCA022131R9400 | 1 | 0.12 |
| OETL3150 | 8NO | OZXK6 ²⁾ | 1SCA022131R9660 | 1 | 0.18 |

Mounting accessories for auxiliary contacts

| Suitable for switches | Type | Order number | Units/type [pcs] | Weight/unit [kg] |
|-----------------------|------|--------------|------------------|------------------|
|-----------------------|------|--------------|------------------|------------------|

Adapter for OA2G11 with OT160

Max. two blocks/side. Mountable on either side of the switch.

| | | | | |
|---------------|-------|-----------------|---|------|
| OT 160E_, ET_ | OAZX1 | 1SCA022467R5140 | 1 | 0.03 |
|---------------|-------|-----------------|---|------|

Adapter for OBEA_ with OT160E

Mountable on top of the switch.

| | | | | |
|--------|--------|-----------------|---|------|
| OT160E | OEZNP1 | 1SCA022259R7410 | 1 | 0.02 |
|--------|--------|-----------------|---|------|

Numbering stickers for auxiliary contact blocks OBEA_

Required if several blocks are used. Fill numbers by pen or typewrite.

| | | | | |
|---------------|----------|-----------------|----|------|
| OBEA 10, 1 NO | OBEAZX10 | 1SCA022264R9910 | 10 | 0.01 |
| OBEA 01, 1 NC | OBEAZX01 | 1SCA022276R2470 | 10 | 0.01 |

Module for auxiliary contacts with OT 200...2500

Screw mounting to the left side of the switch

| | | | | |
|---------------|-------|-----------------|---|------|
| OT 200...2500 | OEA28 | 1SCA022714R8810 | 1 | 0.04 |
|---------------|-------|-----------------|---|------|

Performance data of auxiliary contacts according to IEC 60947-5-1

| For OA1G_, OA2G_, OA3G_ | | | | | | | For OBEA_ and OZXK_ | | | |
|-------------------------|-----------------------------|---------------------|-----------------------------|-------|-----------------------------|-------|-----------------------------|---------------------|-----------------------------|---------------------|
| U _e /[V] | AC15 I _e /[A] | U _e /[V] | DC12 I _e /[A] | P/[W] | DC13 I _e /[A] | P/[W] | AC12 U _e /[V] | I _e /[A] | DC12 U _e /[V] | I _e /[A] |
| 230 | 6 | 24 | 10 | 240 | 2 | 50 | 120 | 8 | 125 | 1.1 |
| 400 | 4 | 72 | 4 | 290 | 0.8 | 60 | 240 | 6 | 250 | 0.55 |
| 415 | 4 | 125 | 2 | 250 | 0.55 | 70 | 400 | 4 | 440 | 0.31 |
| 690 | 2 | 250 | 0.55 | 140 | 0.27 | 70 | 415 | 4 | 500 | 0.27 |
| | | 440 | 0.1 | 44 | | | 480 | 3 | 600 | 0.2 |
| | | | | | | | 500 | 3 | | |
| | | | | | | | 690 | 2 | | |

| For OA1G_, OA2G_, OA3G_ | |
|-------------------------|--|
| U _i /[V] | 690 |
| U _{imp} /[kV] | 4 |
| Pollution degree | 3 |
| I _{th} /[A] | 16 |
| Cable size | 1...2 x 0.75...2.5 mm ² |
| Maximum fuse | 16A / gG |
| NEMA | A600, R300, wire size: 18 - 14 AWG, 1(2) |

¹⁾ 8 NO + 8 NC auxiliary contacts = 2 x OZXK 3
²⁾ 16 NO auxiliary contacts = 2 x OZXK 6

Early break type auxiliary contacts means that in the switches, the NO aux.contacts break before the main contacts open.



Fourth poles

Mountable on the side of the switch. The type and the ordering numbers are for one piece.

| Suitable for switches | Function | Type | Order number | Delivery batch [pcs] | Weight/unit [kg] |
|---|----------|--------------------------|-----------------|----------------------|------------------|
| Simultaneous function with the main contacts | | | | | |
| OT 16...40F3 | | OTPS40FPN1 ¹⁾ | 1SCA105001R1001 | 10 | 0.03 |
| | | OTPS40FPN2 ²⁾ | 1SCA105000R1001 | 10 | 0.06 |
| OT 63...80F3 | | OTPS80FP | 1SCA105461R1001 | 10 | 0.14 |
| OT 100...125F3 | | OTPS125FP | 1SCA105099R1001 | 10 | 0.03 |
| OT 16...40FT3 | | OTPS40FDN1 ¹⁾ | 1SCA104999R1001 | 10 | 0.06 |
| | | OTPS40FDN2 ²⁾ | 1SCA104998R1001 | 10 | 0.14 |
| OT 63...80FT3 | 7(N) L4 | OTPS80FD | 1SCA105458R1001 | 5 | 0.30 |
| OT 100...125FT3 | | OTPS125FD | 1SCA105096R1001 | 1 | 0.30 |
| OT 160E3, ET3 | 8(N) T4 | OTZNA1-160E4 | 1SCA022271R8310 | 5 | 0.3 |
| OT160E3, ET3 | | OTPS160EP | 1SCA022325R7360 | 1 | 0.3 |
| OT200...250 | | OTZ250E | 1SCA022735R9420 | 10 | 0.35 |
| OT315...400 | | OTZ400E | 1SCA022749R1960 | 10 | 0.59 |
| OT630...800 | | OTZ800E | 1SCA022807R5100 | 1 | 1.70 |
| OT1000...1250 | | OTZ1250E | 1SCA103765R1001 | 1 | 4.30 |
| OT1600 | | OTZ1600E | 1SCA100431R1001 | 1 | 4.54 |
| OT2000...2500 | | OTZ2500E | 1SCA107931R1001 | 1 | 4.30 |
| Late-break and early-make | | | | | |
| OT 16...40F3 | N | OTPL40FP | 1SCA105717R1001 | 10 | 0.03 |
| OT 63...80F3 | | OTPL80FP | 1SCA105452R1001 | 10 | 0.06 |
| OT 100...125F3 | | OTPL125FP | 1SCA105090R1001 | 10 | 0.14 |
| OT 16...40FT3 | N | OTPL40FD | 1SCA105716R1001 | 10 | 0.03 |
| OT 63...80FT3 | | OTPL80FD | 1SCA105451R1001 | 10 | 0.06 |
| OT 100...125FT3 | | OTPL125FD | 1SCA105088R1001 | 10 | 0.14 |

Neutral and earth terminals

Mountable on the side of the switch. The type and the ordering numbers are for one piece.

Fixed neutral

| | | | | | |
|-----------------|---|-----------|-----------------|----|------|
| OT 16...40F3 | N | OTPN40FP | 1SCA104997R1001 | 10 | 0.03 |
| OT 63...80F3 | | OTPN80FP | 1SCA105457R1001 | 10 | 0.06 |
| OT 100...125F3 | | OTPN125FP | 1SCA105094R1001 | 10 | 0.14 |
| OT 160E3, ET3 | | OTPN160EP | 1SCA022344R9510 | 1 | 0.30 |
| OT 16...40FT3 | N | OTPN40FD | 1SCA105718R1001 | 10 | 0.03 |
| OT 63...80FT3 | | OTPN80FD | 1SCA105456R1001 | 10 | 0.06 |
| OT 100...125FT3 | | OTPN125FD | 1SCA105092R1001 | 10 | 0.14 |

Detachable neutral

| | | | | | |
|----------------|---|-----------|-----------------|----|------|
| OT 16...40F3 | N | OTPD40FP | 1SCA104994R1001 | 10 | 0.03 |
| OT 63...80F3 | | OTPD80FP | 1SCA105445R1001 | 10 | 0.06 |
| OT 100...125F3 | | OTPD125FP | 1SCA105083R1001 | 10 | 0.14 |
| OT 63...80FT3 | N | OTPD80FD | 1SCA105444R1001 | 1 | 0.06 |

Protective earth

| | | | | | |
|-----------------|----|-----------|-----------------|----|------|
| OT 16...40F3 | PE | OTPE40FP | 1SCA104995R1001 | 10 | 0.03 |
| OT 63...80F3 | | OTPE80FP | 1SCA105448R1001 | 10 | 0.06 |
| OT 100...125F | | OTPE125FP | 1SCA105128R1001 | 10 | 0.14 |
| OT 160E3, ET3 | | OTPE160EP | 1SCA022345R0010 | 1 | 0.30 |
| OT 16...40FT3 | PE | OTPE40FD | 1SCA109884R1001 | 10 | 0.03 |
| OT 63...80FT3 | | OTPE80FD | 1SCA105446R1001 | 10 | 0.06 |
| OT 100...125FT3 | | OTPE125FD | 1SCA105698R1001 | 10 | 0.14 |

Neutral links

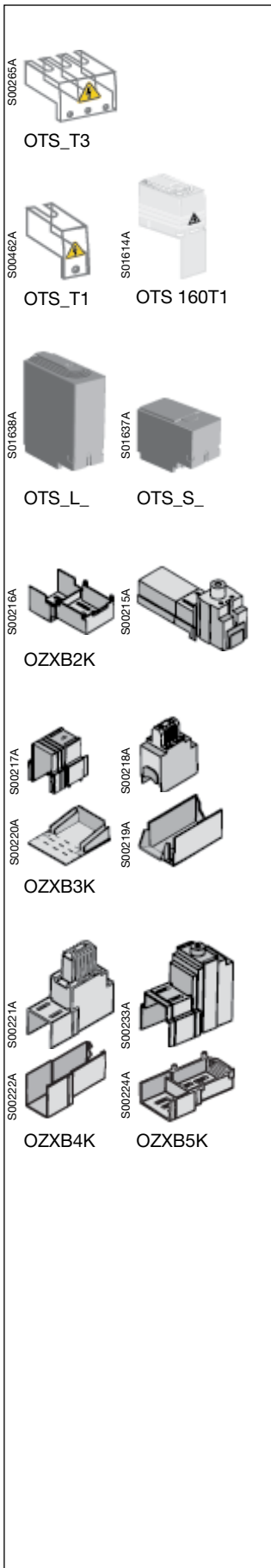
| Suitable for switches | I _{th} [A] | Type | Order number | Units/type [pcs] | Weight unit [kg] |
|---|---------------------|-----------|-----------------|------------------|------------------|
| Detachable, mountable separately to the base plate | | | | | |
| OT200...250 | 250 | OXN250 | 1SCA022752R9950 | 1 | 0.26 |
| OT 315...400 | 400 | OXN400 | 1SCA022770R3060 | 1 | 0.70 |
| OT 630...800 | 800 | OXN800T | 1SCA022829R0840 | 1 | 0.96 |
| OT1000...1250 | 1250 | OXN1250T | 1SCA104162R1001 | 1 | 2.2 |
| Mountable separately to the base plate | | | | | |
| | 200 | OESAZX162 | 1SCA022193R0400 | 1 | 0.12 |
| | 315 | OESAZX164 | 1SCA022202R9520 | 1 | 0.10 |
| | 400 | OESAZX165 | 1SCA022202R9790 | 1 | 0.12 |
| | 1000 | OESAZX160 | 1SCA022186R3960 | 1 | 1.00 |

¹⁾ N1=On the left side of the switch
²⁾ N2=On the right side of the switch



Terminal shrouds

Ordering information



Terminal shrouds

The type and the ordering numbers are for one piece.

| Suitable for switches | Type | Order number | Delivery batch [pcs] | Weight/unit [kg] |
|---|-----------|-----------------|----------------------|------------------|
| Snap-on mounting, transparent | | | | |
| For 3-pole switches | | | | |
| OT 16...40F3, -FT3 | OTS40T3 | 1SCA105317R1001 | 10 | 0.01 |
| OT63...80F3, -FT3 | OTS63T3 | 1SCA022353R6750 | 10 | 0.01 |
| OT 100...125F3, FT3 | OTS125T3 | 1SCA022379R9680 | 10 | 0.01 |
| OT160E3 | OTS160T3 | 1SCA022495R4610 | 1 | 0.08 |
| OT100...125F3 with terminal clamps OZXL1 or OZXT1 | OTS125T3P | 1SCA022491R9890 | 10 | 0.01 |
| For 4-pole switches | | | | |
| OT160E4 | OTS160T4 | 1SCA022495R4700 | 1 | 0.08 |
| For 1 to 4-pole switches, shroud for single pole and for fourth pole | | | | |
| OTP_40F_ | OTS40T1 | 1SCA105314R1001 | 10 | 0.01 |
| OTP_80F_ | OTS63T1 | 1SCA022353R6910 | 10 | 0.01 |
| OTP_125F_ | OTS125T1 | 1SCA022379R9760 | 10 | 0.01 |
| OT160E_ | OTS160T1 | 1SCA022691R2010 | 1 | 0.01 |
| For OT100...125E3 with terminal clamps | | | | |
| OZXL1/1 or OZXT1 | OTS125T1P | 1SCA022491R9970 | 10 | 0.01 |

Snap-on mounting, grey plastic

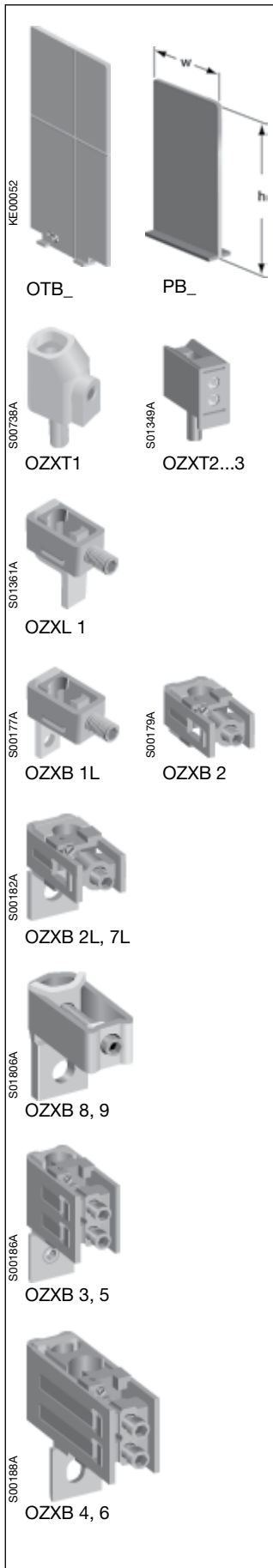
Pack of single pole shrouds, IP 3X. Transparent shrouds available on request.

| Suitable for switches | Description | Type | Order number | Units/type [pcs] | Weight/unit [kg] |
|----------------------------|-------------|--------------|-----------------|------------------|------------------|
| For 3-pole switches | | | | | |
| OT200...250 | Long type | OTS250G1L/3 | 1SCA022731R8150 | 3 | 0.09 |
| OT200...250 | Short type | OTS250G1S/3 | 1SCA022731R8310 | 3 | 0.06 |
| OT315...400 | Long type | OTS400G1L/3 | 1SCA022736R8840 | 3 | 0.15 |
| OT315...400 | Short type | OTS400G1S/3 | 1SCA022736R9060 | 3 | 0.09 |
| OT630...800 | Long type | OTS800G1L/3 | 1SCA022776R7890 | 3 | 0.32 |
| OT630...800 | Short type | OTS800G1S/3 | 1SCA022776R8190 | 3 | 0.17 |
| OT1000...1600 | Long type | OTS1600G1L/3 | 1SCA022871R9510 | 3 | 0.6 |
| OT1000...1600 | Short type | OTS1600G1S/3 | 1SCA022871R9600 | 3 | 0.4 |
| OT2000...2500 | Long type | OTS2500G1L/3 | 1SCA107261R1001 | 3 | 1 |
| OT2000...2500 | Short type | OTS2500G1S/3 | 1SCA107260R1001 | 3 | 0.5 |
| For 4-pole switches | | | | | |
| OT200...250 | Long type | OTS250G1L/4 | 1SCA022731R8230 | 4 | 0.12 |
| OT200...250 | Short type | OTS250G1S/4 | 1SCA022731R8400 | 4 | 0.08 |
| OT315...400 | Long type | OTS400G1L/4 | 1SCA022736R9490 | 4 | 0.20 |
| OT315...400 | Short type | OTS400G1S/4 | 1SCA022736R9650 | 4 | 0.12 |
| OT630...800 | Long type | OTS800G1L/4 | 1SCA022776R7970 | 4 | 0.42 |
| OT630...800 | Short type | OTS800G1S/4 | 1SCA022776R8270 | 4 | 0.26 |
| OT1000...1600 | Long type | OTS1600G1L/4 | 1SCA022871R9780 | 4 | 0.8 |
| OT1000...1600 | Short type | OTS1600G1S/4 | 1SCA022871R9860 | 4 | 0.5 |
| OT2000...2500 | Long type | OTS2500G1L/4 | 1SCA107262R1001 | 4 | 1.3 |
| OT2000...2500 | Short type | OTS2500G1S/4 | 1SCA107271R1001 | 4 | 0.7 |

Terminal shrouds for terminal clamps

Snap-on mounting, transparent plastic, IP 2X.

| Suitable for terminal clamps | Type | Order number | Units/type [pcs] | Weight/unit [kg] |
|------------------------------|--------|-----------------|------------------|------------------|
| OZXB2, 2L | OZXB2K | 1SCA022264R0010 | 3 | 0.05 |
| OZXB3, 4 | OZXB3K | 1SCA022264R0440 | 3 | 0.20 |
| OZXB5, 6 | OZXB4K | 1SCA022199R2850 | 3 | 0.24 |
| OZXB7, 7L | OZXB5K | 1SCA022283R8040 | 3 | 0.13 |



Phase separators

Grey plastic plate for maintaining 1" clearance between the phases without terminal shrouds. Snap-on mounting.

| Suitable for switches | Type | Order number | Units/ type [pcs] | Weight/ type [kg] |
|-------------------------------------|-----------|-----------------|-------------------|-------------------|
| OT600U, OT630...800E, 3- and 4-pole | OTB800/6 | 1SCA022821R7760 | 6 | 0.35 |
| OT1000...2500, 3- and 4-pole | OTB1600/6 | 1SCA100768R1001 | 6 | 0.50 |

Phase barriers

The phase barriers designed for ABB Tmax T4-T5 MCCB's can also be used for OT200...800 switch disconnectors. 3-pole switch disconnectors need 4 barriers and 4-pole switch disconnectors need 6 barriers for full protection.

| Suitable for switches | Number of poles | Height h [mm] | Cutting width w of the phase barrier [mm] | Type | Order number | Units/ type [pcs] |
|-----------------------|-----------------|---------------|---|------------|--------------|-------------------|
| OT200...250 | 3 | 100 | 55 | PB100 low | 1SDA054970R1 | 4 |
| | 3 | 200 | 55 | PB200 high | 1SDA054972R1 | 4 |
| | 4 | 100 | 55 | PB100 low | 1SDA054971R1 | 6 |
| | 4 | 200 | 55 | PB200 high | 1SDA054973R1 | 6 |
| OT315...400_ | 3 | 100 | 67 | PB100 low | 1SDA054970R1 | 4 |
| | 3 | 200 | 67 | PB200 high | 1SDA054972R1 | 4 |
| | 4 | 100 | 67 | PB100 low | 1SDA054971R1 | 6 |
| | 4 | 200 | 67 | PB200 high | 1SDA054973R1 | 6 |
| OT600...800_ | 3 | 100 | 90 | PB100 low | 1SDA054970R1 | 4 |
| | 3 | 200 | 90 | PB200 high | 1SDA054972R1 | 4 |
| | 4 | 100 | 90 | PB100 low | 1SDA054971R1 | 6 |
| | 4 | 200 | 90 | PB200 high | 1SDA054973R1 | 6 |

Terminal clamps

| Suitable for switches | Cable cross section [mm²] | Type | Order number | Units/ type [pcs] | Weight/ unit [kg] |
|-----------------------|---------------------------|-------|-----------------|-------------------|-------------------|
| OT63...125 | 16...50 Al | OZXT1 | 1SCA022469R6310 | 3 | 0.05 |
| | 2.5...50 Cu | | | | |
| OT100...160E | 16...120 Al/Cu | OZXT2 | 1SCA022620R7200 | 3 | 0.21 |
| | 2x(6...50) Al/Cu | OZXT3 | 1SCA022639R0720 | 3 | 0.21 |

Terminal clamp sets for Al- and Cu-cables

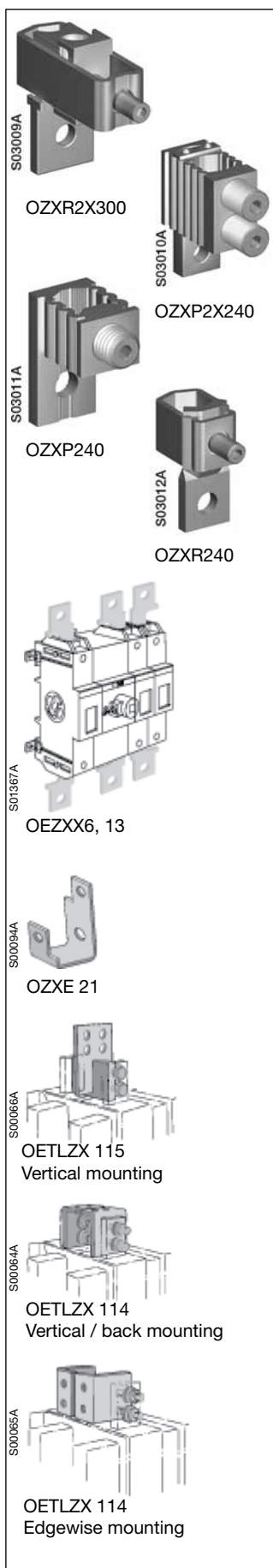
| Suitable for switches | Cable cross section [mm²] | Suitable shroud | Type | Order number | Units/ type [pcs] | Delivery batch [pcs] | Weight/ unit [kg] |
|-----------------------|---------------------------|-----------------|---------|-----------------|-------------------|----------------------|-------------------|
| OT100...125F | 10...70Al/Cu | | OZXL1 | 1SCA022439R6770 | 3 | 1 | 0.14 |
| | | | OZXL1/1 | 1SCA022469R6220 | 1 | 50 | 0.05 |

OZXB type Al/Cu connectors made of stainless steel

| | | | | | | | | |
|--------------|---------------|----------|-----------------|-----------------|-----------------|------|------|------|
| OT200...250 | 10...70 | OTS250_L | OZXB1L | 1SCA022169R2030 | 3 | 1 | 0.15 | |
| | 10...70 | OTS250_L | OZXB1L/1 | 1SCA022194R0030 | 1 | 50 | 0.05 | |
| | 25...120 | OZXB2K | OZXB2 | 1SCA022119R7610 | 3 | 1 | 0.34 | |
| | 25...120 | OZXB2K | OZXB2/1 | 1SCA022194R0200 | 1 | 50 | 0.12 | |
| | 25...120 | OZXB2K | OZXB2L | 1SCA022158R7750 | 3 | 1 | 0.43 | |
| | 25...120 | OZXB2K | OZXB2L/1 | 1SCA022194R0460 | 1 | 50 | 0.15 | |
| | 95...185 | OTS250_L | OZXB8 | 1SCA022744R1510 | 3 | 1 | 0.50 | |
| | 95...185 | OTS250_L | OZXB8/1 | 1SCA022744R1600 | 1 | 20 | 0.15 | |
| | 95...240 | OTS250_L | OZXB9 | 1SCA022750R3210 | 3 | 1 | 0.50 | |
| | 95...240 | OTS250_L | OZXB9/1 | 1SCA022750R3300 | 1 | 20 | 0.14 | |
| | OT315...400 | 25...120 | OZXB2K | OZXB2L | 1SCA022158R7750 | 3 | 1 | 0.43 |
| | | 25...120 | OZXB2K | OZXB2L/1 | 1SCA022194R0460 | 1 | 50 | 0.15 |
| 95...185 | | OZXB3K | OZXB3 | 1SCA022136R8100 | 3 | 1 | 1.28 | |
| 95...185 | | OZXB3K | OZXB3/1 | 1SCA022194R0620 | 1 | 20 | 0.13 | |
| 2x(95...185) | | OZXB3K | OZXB4 | 1SCA022137R4760 | 3 | 1 | 1.71 | |
| 2x(95...185) | | OZXB3K | OZXB4/1 | 1SCA022194R0890 | 1 | 20 | 0.60 | |
| 120...240 | | OZXB5K | OZXB7 | 1SCA022185R0040 | 3 | 1 | 1.00 | |
| 120...240 | | OZXB5K | OZXB7/1 | 1SCA022194R1430 | 1 | 20 | 0.34 | |
| 120...240 | | OZXB5K | OZXB7L | 1SCA022185R7130 | 3 | 1 | 1.20 | |
| 120...240 | | OZXB5K | OZXB7L/1 | 1SCA022194R1600 | 1 | 20 | 0.39 | |
| 95...185 | | OTS400_L | OZXB8 | 1SCA022744R1510 | 3 | 1 | 0.50 | |
| 95...185 | | OTS400_L | OZXB8/1 | 1SCA022744R1600 | 1 | 20 | 0.15 | |
| 95...240 | OTS400_L | OZXB9 | 1SCA022750R3210 | 3 | 1 | 0.50 | | |
| 95...240 | OTS400_L | OZXB9/1 | 1SCA022750R3300 | 1 | 20 | 0.14 | | |
| OT630...800 | 120...300 | OZXB4K | OZXB5 | 1SCA022137R2470 | 3 | 1 | 2.22 | |
| | 120...300 | OZXB4K | OZXB5/1 | 1SCA02194R1010 | 1 | 20 | 0.80 | |
| | 2x(120...300) | OZXB4K | OZXB6 | 1SCA022137R4920 | 3 | 1 | 3.03 | |
| | 2x(120...300) | OZXB4K | OZXB6/1 | 1SCA022194R1270 | 1 | 20 | 1.00 | |

• More information on Al/Cu terminal clamps, see the catalogue OZX1A GB.

• Included bolt sets:
 OT 200...250, OZXE51, M8x25, 6 pcs/package
 OT 315...400, OZXE54, M10x30, 6 pcs/package
 OT 630...800, OZXE3, M12x40, 6 pcs/package



Terminal clamp sets for Al- and Cu-cables

OZXB type Al/Cu connectors made of stainless steel

| Suitable for switches | Cable cross section [mm ²] | Suitable shroud | Type | Order number | Units/ type [pcs] | Delivery batch [pcs] | Weight/ unit [kg] | |
|-----------------------|--|-----------------|-----------|-----------------|-------------------|----------------------|-------------------|------|
| OT1000...1600 | 95...185 | OTS1600_L | OZXB3 | 1SCA022136R8100 | 3 | 1 | 1.28 | |
| | 95...185 | OTS1600_L | OZXB3/1 | 1SCA022194R0620 | 1 | 20 | 0.13 | |
| | 2x(95...185) | OTS1600_L | OZXB4 | 1SCA022137R4760 | 3 | 1 | 1.71 | |
| | 2x(95...185) | OTS1600_L | OZXB4/1 | 1SCA022194R0890 | 1 | 20 | 0.60 | |
| | 120...300 | OTS1600_L | OZXB5 | 1SCA022137R2470 | 3 | 1 | 2.22 | |
| | 120...300 | OTS1600_L | OZXB5/1 | 1SCA022194R1010 | 1 | 20 | 0.80 | |
| | 2x(120...300) | OTS1600_L | OZXB6 | 1SCA022137R4920 | 3 | 1 | 3.03 | |
| | 2x(120...300) | OTS1600_L | OZXB6/1 | 1SCA022194R1270 | 1 | 20 | 1.00 | |
| | 120...240 | OTS1600_L | OZXB7L | 1SCA022185R7130 | 3 | 1 | 1.20 | |
| | 120...240 | OTS1600_L | OZXB7L/1 | 1SCA022194R1600 | 1 | 20 | 0.39 | |
| | OT2000...2500 | 95...185 | OTS2500_L | OZXB3 | 1SCA022136R8100 | 3 | 1 | 1.28 |
| | | 95...185 | OTS2500_L | OZXB3/1 | 1SCA022194R0620 | 1 | 20 | 0.13 |
| 2x(95...185) | | OTS2500_L | OZXB4 | 1SCA022137R4760 | 3 | 1 | 1.71 | |
| 2x(95...185) | | OTS2500_L | OZXB4/1 | 1SCA022194R0890 | 1 | 20 | 0.6 | |
| 120...300 | | OTS2500_L | OZXB5 | 1SCA022137R2470 | 3 | 1 | 2.22 | |
| 120...300 | | OTS2500_L | OZXB5/1 | 1SCA022194R1010 | 1 | 20 | 0.8 | |
| 2x(120...300) | | OTS2500_L | OZXB6 | 1SCA022137R4920 | 3 | 1 | 3.03 | |
| 2x(120...300) | | OTS2500_L | OZXB6/1 | 1SCA022194R1270 | 1 | 20 | 1 | |
| 120...240 | | OTS2500_L | OZXB7L | 1SCA022185R7130 | 3 | 1 | 1.2 | |
| 120...240 | | OTS2500_L | OZXB7L/1 | 1SCA022194R1600 | 1 | 20 | 0.39 | |
| OETL3150 | | 95...185 | OZXB3K | OZXB3 | 1SCA022136R8100 | 3 | 1 | 1.28 |
| | | 95...185 | OZXB3K | OZXB3/1 | 1SCA022194R0620 | 1 | 20 | 0.13 |
| | 2x(95...185) | OZXB3K | OZXB4 | 1SCA022137R4760 | 3 | 1 | 1.71 | |
| | 2x(95...185) | OZXB3K | OZXB4/1 | 1SCA022194R0890 | 1 | 20 | 0.60 | |
| | 120...300 | OZXB4K | OZXB5 | 1SCA022137R2470 | 3 | 1 | 2.22 | |
| | 120...300 | OZXB4K | OZXB5/1 | 1SCA022194R1010 | 1 | 20 | 0.80 | |
| | 2x(120...300) | OZXB4K | OZXB6 | 1SCA022137R4920 | 3 | 1 | 3.03 | |
| | 2x(120...300) | OZXB4K | OZXB6/1 | 1SCA022194R1270 | 1 | 20 | 1.00 | |

OZXR type Al/Cu connectors made of stainless steel and copper

| | | | | | | | |
|-------------|---------------|----------|-----------|-----------------|---|--|------|
| OT200...250 | 25...95 | OTS250_L | OZXR95 | 1SCA115530R1001 | 3 | | 0.21 |
| OT200...250 | 95...185 | OTS250_L | OZXR185 | 1SCA115531R1001 | 3 | | 0.45 |
| OT315...400 | 2x(95...185) | - | OZXR2X185 | 1SCA115534R1001 | 3 | | 0.66 |
| OT315...400 | 185...300 | - | OZXR300 | 1SCA115533R1001 | 3 | | 0.87 |
| OT630...800 | 2x(185...300) | - | OZXR2X300 | 1SCA115535R1001 | 3 | | 1.59 |
| OT315...400 | 95...240 | OTS400_L | OZXR240 | 1SCA115532R1001 | 3 | | 0.42 |

OZXP type Al/Cu connectors made of tin plated aluminium profile

| | | | | | | | |
|-------------|--------------|----------|-----------|-----------------|---|--|------|
| OT200...250 | 6...95 | OTS250_L | OZXP95 | 1SCA115539R1001 | 3 | | 0.03 |
| OT315...400 | 35...240 | - | OZXP240 | 1SCA115542R1001 | 3 | | 0.27 |
| OT630...800 | 2x(70...240) | OTS800_L | OZXP2X240 | 1SCA115544R1001 | 3 | | 1.38 |

Busbar connections

| Suitable for switches | Suitable for clamps | Type | Order number | Units/ type [pcs] | Weight unit [kg] |
|--|---------------------|---------|-----------------|-------------------|------------------|
| Busbar spreader kit | | | | | |
| OT160E | OZXB 2 | OEZXX6 | 1SCA022292R6330 | 3 | 0.20 |
| OT160E | OZXB 2 | OEZXX13 | 1SCA022299R9720 | 4 | 0.30 |
| Busbars for parallel connection | | | | | |
| OT 160 ¹⁾ | 2 x OZXB2_ | OZXE21 | 1SCA022161R8810 | 3 | 0.30 |

Busbar connections for OETL 3150

Busbar termination from different directions.

| Suitable for switches | Type | Order number | Units/ type [pcs] | Weight unit [kg] |
|---|-------------|-----------------|-------------------|------------------|
| Vertical mounting | | | | |
| 3 pole | OETLZX115 | 1SCA022117R7770 | 6 | 21.0 |
| 4 pole | OETLZX115/1 | 1SCA022126R2110 | 8 | 28.0 |
| Vertical- / back- or edgewise mounting | | | | |
| 3 pole | OETLZX114 | 1SCA022117R7510 | 6 | 14.1 |
| 4 pole | OETLZX114/1 | 1SCA022126R1990 | 8 | 18.8 |

¹⁾ OT 160 has to be provided with OEZXX6 or 13. The part number for the fourth pole clamp: OZXB2/1

• More information on Al/Cu terminal clamps, see the catalogue OZX1A GB

Included bolt sets:

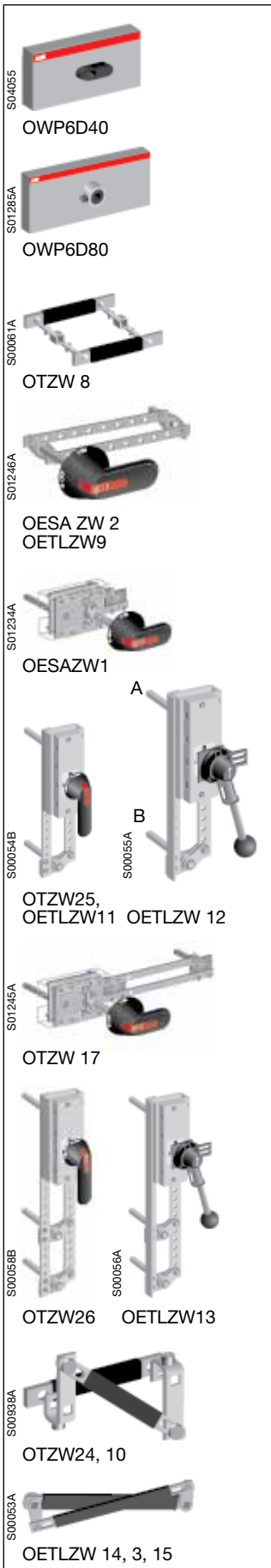
OT1000...1250, OZXE11, M12x50, 6 pcs/package

OT1600, OZXE14, M12x60, 6 pcs/package

OT2000.2500, OZXE14, M12x60, 12 pcs/package

OETL 3150, OZXE14, M12x60 mm, 12 pcs/package

Conversion kits for front operated switch combinations



| Suitable for switches | Shaft distance [mm] | Type | Order number | Units/ type [pcs] | Weight/ unit [kg] |
|-----------------------|---------------------|------|--------------|-------------------|-------------------|
|-----------------------|---------------------|------|--------------|-------------------|-------------------|

6 and 8-pole switch mechanism

Parallel attachment for connecting two 3- or 4-pole switches. The switches work simultaneously. Mounting directly on the top of two switch-disconnectors, snap-on mounting. The switch size is printed on stickers for the different switch sizes. The fourth pole or auxiliary contacts can be mounted on the outer side of the combination.

| | | | | | |
|-------------|--|----------|-----------------|---|------|
| OT16 - 40 | | OWP6D40 | 1SCA022865R4800 | 1 | 0.03 |
| OT63 - 80 | | OWP6D80 | 1SCA022865R5010 | 1 | 0.03 |
| OT100 - 125 | | OWP6D125 | 1SCA022865R5100 | 1 | 0.03 |

Attachment levers provided with holes, enabling different shaft distances. The combination switches can be mounted either horizontally or vertically. Two 3 or 4-pole switches needed.

| | | | | | |
|-------------|----------------|---------|-----------------|---|------|
| OT16 - 40 | 45+(0 - 12)x15 | OTZW8 | 1SCA022421R7600 | 1 | 0.17 |
| OT63 - 80 | 60+(0 - 11)x15 | | | | |
| OT100 - 125 | 75+(0 - 10)x15 | | | | |
| OT160 | 45+(0 - 11)x15 | OESAZW2 | 1SCA022078R1600 | 1 | 0.8 |
| OT200 - 250 | 45+(0 - 13)x15 | | | | |
| OT315 - 800 | 60+(0 - 19)x20 | OETLZW9 | 1SCA022061R3300 | 1 | 1.1 |

Change-over switch mechanism

Two switches connected with a mechanism operating into I-O-II positions. Two 3 or 4-pole switches needed.

| | | | | | |
|-------------|-----------------|----------|-----------------|---|------|
| OT16 - 125 | 90+(0 - 10)x15 | OESAZW1 | 1SCA022064R3710 | 1 | 0.78 |
| OT200 - 250 | 210+(0 - 18)x20 | OTZW25 | 1SCA022778R6920 | 1 | 2.8 |
| OT315 - 400 | 210+(0 - 11)x20 | OETLZW11 | 1SCA022078R0030 | 1 | 3.0 |
| OT630-800 | 210+(0 - 20)x20 | OETLZW12 | 1SCA022078R0200 | 1 | 4.6 |

By-pass switch mechanism

A combination of two switches in parallel with a third switch for change-over operation to by-pass, for example, a breaker for maintenance. The by-pass attachment can be used together with another combination attachment. Three 3 or 4-pole switches needed.

| | | | | | |
|-------------|--|----------|-----------------|---|------|
| OT 16 - 125 | Between 1 and 2: 90+(0 - 6)x15 Between 1 and 3: 90+(0 - 10)x15 | OTZW17 | 1SCA022387R1620 | 1 | 0.88 |
| OT200 - 250 | Between 1 and 2: 210+(0 - 9)x20 Between 1 and 3: 250+(0 - 9)x20 | OTZW26 | 1SCA022778R7060 | 1 | 3.3 |
| OT315 - 800 | Between 1 and 2: 210+(0 - 18)x20 Between 1 and 3: 250+(0 - 18)x20 | OETLZW13 | 1SCA022078R0460 | 1 | 4.0 |

Mechanical interlock mechanism

Prevents one switch from closing to ON-position, if the other is not in OFF-position. When mounted upside down, prevents one switch from opening to OFF-position, if the other is not in ON-position. (UPS-usage, make-before-break)

Two 3- or 4-pole switches needed

| | | | | | |
|-------------|-----|--------|-----------------|---|------|
| OT 16 - 125 | 100 | OTZW24 | 1SCA022639R5610 | 1 | 0.08 |
|-------------|-----|--------|-----------------|---|------|

Two 3- or 4-pole switches needed

| | | | | | |
|--------------|-----|--------|-----------------|---|------|
| OT 160 - 250 | 190 | OTZW10 | 1SCA022431R5280 | 1 | 0.40 |
|--------------|-----|--------|-----------------|---|------|

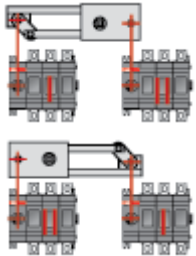
Two 3 or 4-pole switches needed

| | | | | | |
|---------------------------|-----|----------|-----------------|---|------|
| OT315 - 400 | 250 | OETLZW14 | 1SCA022077R3410 | 1 | 0.70 |
| OT315 - 800 | 300 | OETLZW3 | 1SCA022049R0380 | 1 | 0.80 |
| OT315 - 2500 and OETL3150 | 500 | OETLZW15 | 1SCA022081R9340 | 1 | 1.24 |

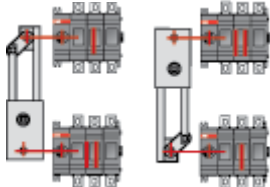
See the table of the handles and shafts included in the conversion kits on next page.

The shafts and handles for conversion kits

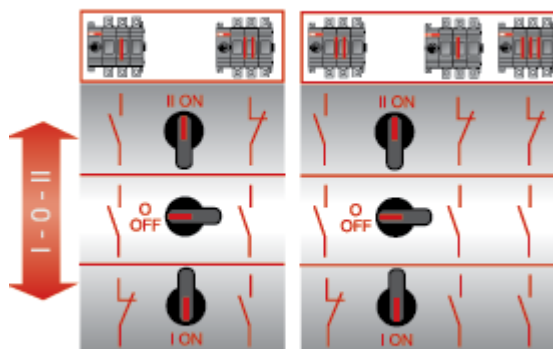
| Conversion kit type | To be ordered separately | | Included in conversion kit delivery | | The standard handle or shaft of one of the combined switches can be used | |
|------------------------------|--------------------------|---------|-------------------------------------|-----------------------|--|--------|
| | Shaft | Handle | Shaft | Handle | Shaft | Handle |
| 6 and 8-pole switches | | | | | | |
| OWP6D40 | x (shaft dia 6 mm) | OHBS1A_ | - | - | - | - |
| OWP6D80 | x (shaft dia 6 mm) | OHBS1A_ | - | - | - | - |
| OWP6D125 | x (shaft dia 6 mm) | OHBS1A_ | - | - | - | - |
| OWP6D40 | x (shaft dia 6 mm) | OHB45J6 | - | - | - | - |
| OWP6D80 | x (shaft dia 6 mm) | OHB45J6 | - | - | - | - |
| OWP6D125 | x (shaft dia 6 mm) | OHB45J6 | - | - | - | - |
| OESAZW2 | - | - | x (2 pcs) | OHB145J12 | - | - |
| OETLZW9 | - | - | - | - | x | x |
| OTZW8 | x | x | - | - | - | - |
| Change-over switches | | | | | | |
| OESAZW1 | - | - | x (2 pcs) | OHB80J6E011 | - | - |
| OTZW25 | - | - | x (2 pcs) | OHB95J12E011 | - | - |
| OETLZW11 | - | - | x (2 pcs) | OHB145J12E011 | - | - |
| OETLZW12 | - | - | x (2 pcs) | YASDA21 (metallic) | - | - |
| By-pass switches | | | | | | |
| OTZW17 | - | - | x (3 pcs) | OHB80J6E011 | - | - |
| OTZW26 | - | - | x (3 pcs) | OHB95J12E011 | - | - |
| OETLZW13 | - | - | x (3 pcs) | YASDA 6 | - | - |
| Mechanical interlock | | | | | | |
| OTZW24 | - | - | - | - | x | x |
| OTZW10 | - | - | - | - | x | x |
| OETLZW14 | - | - | - | - | x | x |
| OETLZW3 | - | - | - | - | x | x |
| OETLZW15 | - | - | - | - | x | x |



Change-over switches, 6- and 8 pole switches

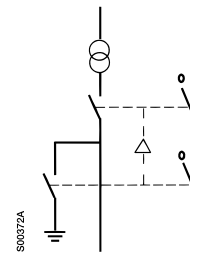


By-pass switches

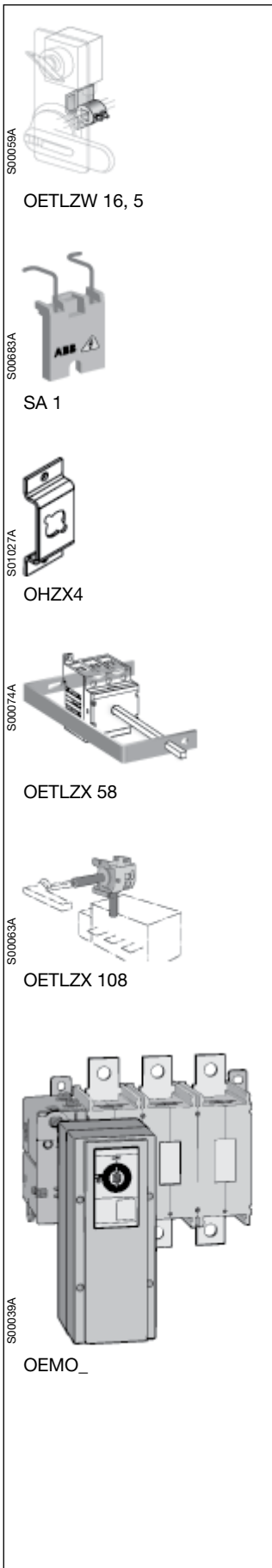


Change-over switches

By-pass switches



Mechanical interlock



Locking accessories

Cam attachment for Castell, Lowe & Fletcher and Ronis interlock

Cam attachment for Castell, Lowe & Fletcher or Ronis interlock. Lock, handle or shaft not included. Mounting to OXP-shaft, works together with OH-door handle and a shaft. This accessory is mounted to the operating shaft of the switch and therefore only compatible with external handles.

| Suitable for switches | Type | Order number | Units/ type [pcs] | Weight/ unit [kg] |
|------------------------|----------|-----------------|-------------------------|-------------------------|
| OT16...250 | OETLZW16 | 1SCA022093R2070 | 1 | 0.17 |
| OT315...2500, OETL3150 | OETLZW5 | 1SCA022052R3900 | 1 | 0.14 |

Padlocking adapter

For a padlock with max. 3.5 mm bail.

| | | | | |
|------------|-----|-----------------|---|------|
| OT63...160 | SA1 | 1SCA022401R8230 | 1 | 0.01 |
|------------|-----|-----------------|---|------|

Door interlock bracket

Prevents defeating the door interlocking of handles.

| For pistol type handles | Type | Order number | Units/ type [pcs] | Weight/ unit [kg] |
|-------------------------|-------|-----------------|-------------------------|-------------------------|
| OH_45...275 | OHZX4 | 1SCA022467R2470 | 1 | 0.03 |

Mounting accessories

| Suitable for switches | Type | Order number | Units/ type [pcs] | Weight/ unit [kg] |
|-----------------------|------|--------------|-------------------------|-------------------------|
|-----------------------|------|--------------|-------------------------|-------------------------|

Shaft support for long shafts

| | | | | |
|------------|----------|-----------------|---|------|
| OT16...125 | OETLZX58 | 1SCA022068R8220 | 1 | 0.10 |
|------------|----------|-----------------|---|------|

Handle support bracket for direct mounting on the switch mechanism²⁾

| | | | | |
|----------|------------------------|-----------------|---|------|
| OETL3150 | OETLZX71 ¹⁾ | 1SCA022068R2700 | 1 | 0.40 |
|----------|------------------------|-----------------|---|------|

90° angle kit, a front operated switch can be converted to a side operated switch²⁾

| | | | | |
|----------|-----------|-----------------|---|------|
| OETL3150 | OETLZX108 | 1SCA022087R8430 | 1 | 2.10 |
|----------|-----------|-----------------|---|------|

Motor operator

For remote control of the switch. The standard delivery includes complete control circuit; short cable and spare handle.

| Suitable for switches | Voltage | Type | Order number | Units/ type [pcs] | Weight/ unit [kg] |
|-----------------------|---------|----------------|-----------------|-------------------------|-------------------------|
| OETL3150 | 110 VAC | OEMO004/110VAC | 1SCA022182R0300 | 1 | 6.3 |
| | 230 VAC | OEMO004/230VAC | 1SCA022196R9010 | 1 | 6.3 |

Function I-0 (ON-OFF)

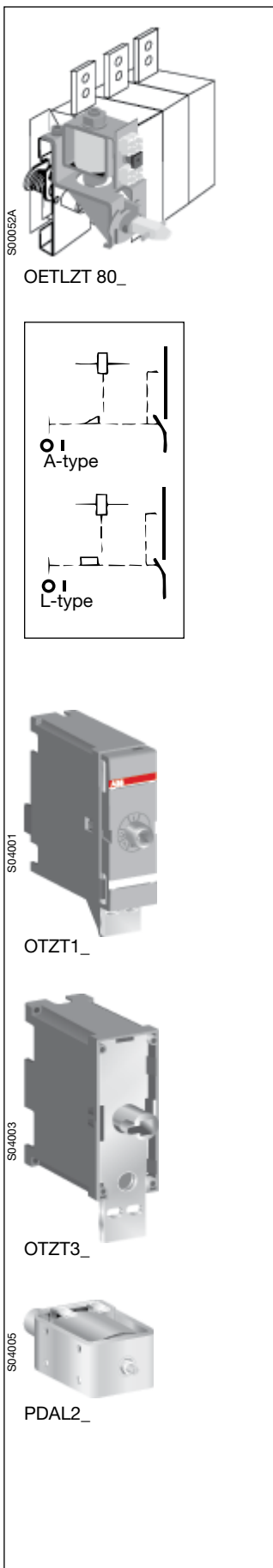
| | | | | | |
|----------|---------|----------------|-----------------|---|-----|
| OETL3150 | 110 VAC | OEMO004/110VAC | 1SCA022182R0300 | 1 | 6.3 |
| | 230 VAC | OEMO004/230VAC | 1SCA022196R9010 | 1 | 6.3 |

¹⁾ With metallic handle

²⁾ Mounting: OETL3150 on mounting plate, key hole fixing.
The shaft delivered with the switch can be used.



Electrical interlock Ordering information



Electrical interlock

Closed circuit principle, for interlocking the switch movement. When the coil circuit is dead, A-types can not be switched to ON-position and L-types to ON- or OFF-position. Aux. contacts are mountable on the top of the mechanism.

| Coil voltage | Type | Order number | Units/ type [pcs] | Weight/ unit [kg] |
|--------------|------|--------------|-------------------------|-------------------------|
|--------------|------|--------------|-------------------------|-------------------------|

For OETL 3150

OETLZT 80_ / U, /R: 110VAC/1000Ω, 230VAC/3900Ω, 24VDC/48Ω, 48VDC/190Ω, 60VDC/300Ω, 110VDC/1000Ω, 220VDC/3900Ω, U=0.7...1.1*U_n, P_{DC}=15 W, P_{AC} = 30VA.

A - types

| | | | | |
|----------|----------------|-----------------|---|------|
| 24 V DC | OETLZT80A24DC | 1SCA022081R1440 | 1 | 1.10 |
| 48 V DC | OETLZT80A48DC | 1SCA022081R1010 | 1 | 1.10 |
| 60 V DC | OETLZT80A60DC | 1SCA022081R0630 | 1 | 1.10 |
| 110 V DC | OETLZT80A110DC | 1SCA022081R0210 | 1 | 1.10 |
| 220 V DC | OETLZT80A220DC | 1SCA022080R9890 | 1 | 1.10 |
| 110V AC | OETLZT80A110AC | 1SCA022080R9460 | 1 | 1.10 |
| 220 V AC | OETLZT80A220AC | 1SCA022079R9050 | 1 | 1.10 |
| 240 V AC | OETLZT80A240AC | 1SCA022384R3330 | 1 | 1.10 |

L - types

| | | | | |
|----------|----------------|-----------------|---|------|
| 24 V DC | OETLZT80L24DC | 1SCA022081R1280 | 1 | 1.10 |
| 48 V DC | OETLZT80L48DC | 1SCA022081R0800 | 1 | 1.10 |
| 60 V DC | OETLZT80L60DC | 1SCA022081R0470 | 1 | 1.10 |
| 110 V DC | OETLZT80L110DC | 1SCA022081R0040 | 1 | 1.10 |
| 220 V DC | OETLZT80L220DC | 1SCA022080R9620 | 1 | 1.10 |
| 110 V AC | OETLZT80L110AC | 1SCA022080R9200 | 1 | 1.10 |
| 220 V AC | OETLZT80L220AC | 1SCA022079R9640 | 1 | 1.10 |
| 230 V AC | OETLZT80L230AC | 1SCA022375R0240 | 1 | 1.10 |
| 240 V AC | OETLZT80L240AC | 1SCA022496R2040 | 1 | 1.10 |

Mechanism interlock kits & Electrical interlocks

OT200...2500 switch-disconnectors can be interlocked in the OFF position using padlocks and by using a mechanical interlock kit mounted on the mechanism. The diameter of the lock bail can be max dia. 8 mm.

Interlocking in the OFF position

| | | | | |
|--------------------------|--------|-----------------|---|------|
| OT200 ... 250_ | OTZT1A | 1SCA106522R1001 | 1 | 0.21 |
| OT315 ... 400_ | OTZT2A | 1SCA106523R1001 | 1 | 0.57 |
| OT600U, OT630 ... 800E | OTZT3A | 1SCA106525R1001 | 1 | 0.75 |
| OT800U, OT1000 ... 2500_ | OTZT4A | 1SCA106526R1001 | 1 | 1.15 |

Interlocking in the OFF & ON positions

| | | | | |
|--------------------------|--------|-----------------|---|------|
| OT200 ... 250_ | OTZT1L | 1SCA106527R1001 | 1 | 0.21 |
| OT315 ... 400_ | OTZT2L | 1SCA106529R1001 | 1 | 0.57 |
| OT600U, OT630 ... 800E | OTZT3L | 1SCA106530R1001 | 1 | 0.75 |
| OT800U, OT1000 ... 2500_ | OTZT4L | 1SCA106531R1001 | 1 | 1.15 |

Coils

By installing a coil inside the housing of the interlock kit the switch can be interlocked electrically in the OFF position or both in the OFF and ON positions. The electrical interlock works using the "closed circuit principle", meaning that when the control voltage is not connected to the coil, the switches provided with A-type interlocks cannot be turned to the ON position and switches with L-type interlocks cannot be turned to the ON or OFF positions.

AC coils

| | | | | |
|----------------|-----------------|-----------------|---|------|
| 24 VAC, 60Hz | PDAL2/24AC60Hz | 1SCA111350R1001 | 1 | 0.15 |
| 110 VAC, 50Hz | PDAL2/110AC50Hz | 1SCA106543R1001 | 1 | 0.15 |
| 110 VAC, 60Hz | PDAL2/110AC60Hz | 1SCA107100R1001 | 1 | 0.15 |
| 120 VAC, 60 Hz | PDAL2/120AC60Hz | 1SCA111353R1001 | 1 | 0.15 |
| 208 VAC, 60Hz | PDAL2/208AC60Hz | 1SCA107101R1001 | 1 | 0.15 |
| 230 VAC, 50Hz | PDAL2/230AC50Hz | 1SCA107102R1001 | 1 | 0.15 |
| 240 VAC, 60Hz | PDAL2/240AC60Hz | 1SCA111356R1001 | 1 | 0.15 |

DC coils

| | | | | |
|---------|-------------|-----------------|---|------|
| 24 VDC | PDAL2/24DC | 1SCA106542R1001 | 1 | 0.15 |
| 48 VDC | PDAL2/48DC | 1SCA107103R1001 | 1 | 0.15 |
| 60 VDC | PDAL2/60DC | 1SCA107104R1001 | 1 | 0.15 |
| 110 VDC | PDAL2/110DC | 1SCA107105R1001 | 1 | 0.15 |
| 125 VDC | PDAL2/125DC | 1SCA111338R1001 | 1 | 0.15 |
| 220 VDC | PDAL2/220DC | 1SCA112503R1001 | 1 | 0.15 |

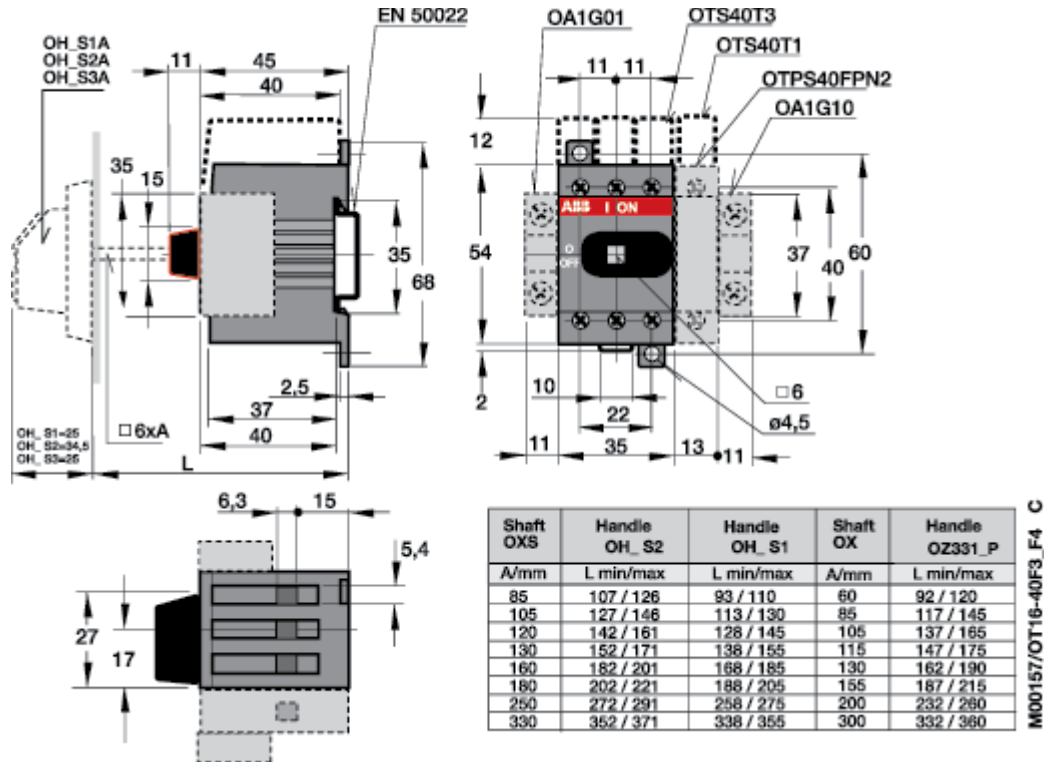
Technical data for the coil

| | | |
|-------------------------------|---------|----------------|
| Operating voltage | | U=0.7...1.1xUn |
| Operating ambient temperature | | -40°C...+65°C |
| Power consumption | with AC | 6.5W |
| | with DC | 9 VA |

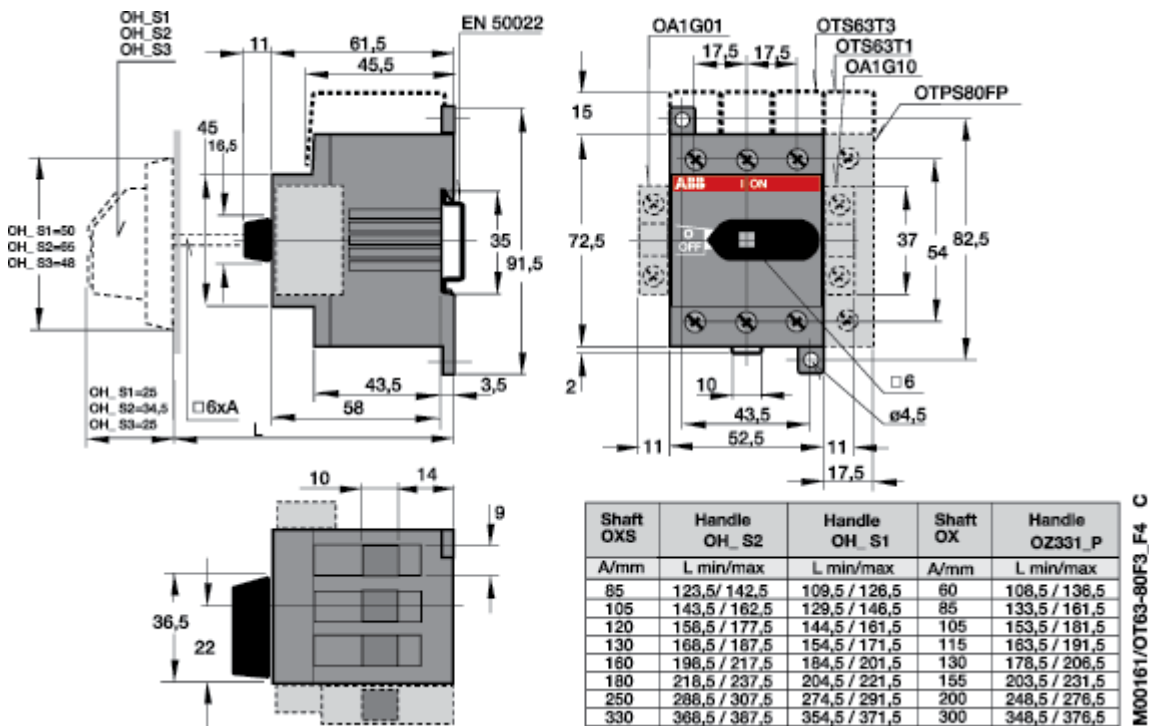


Front operated switch-disconnectors, base mounting Dimension drawings

OT 16...40F3, _F4



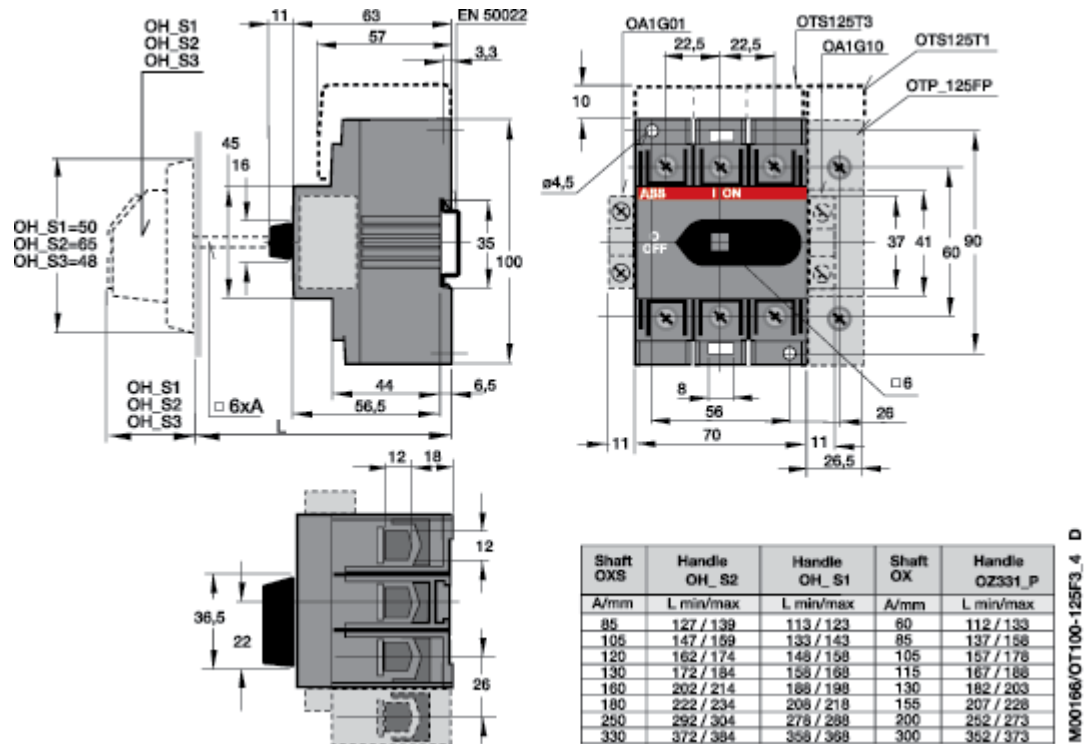
OT 63...80F3, _F4



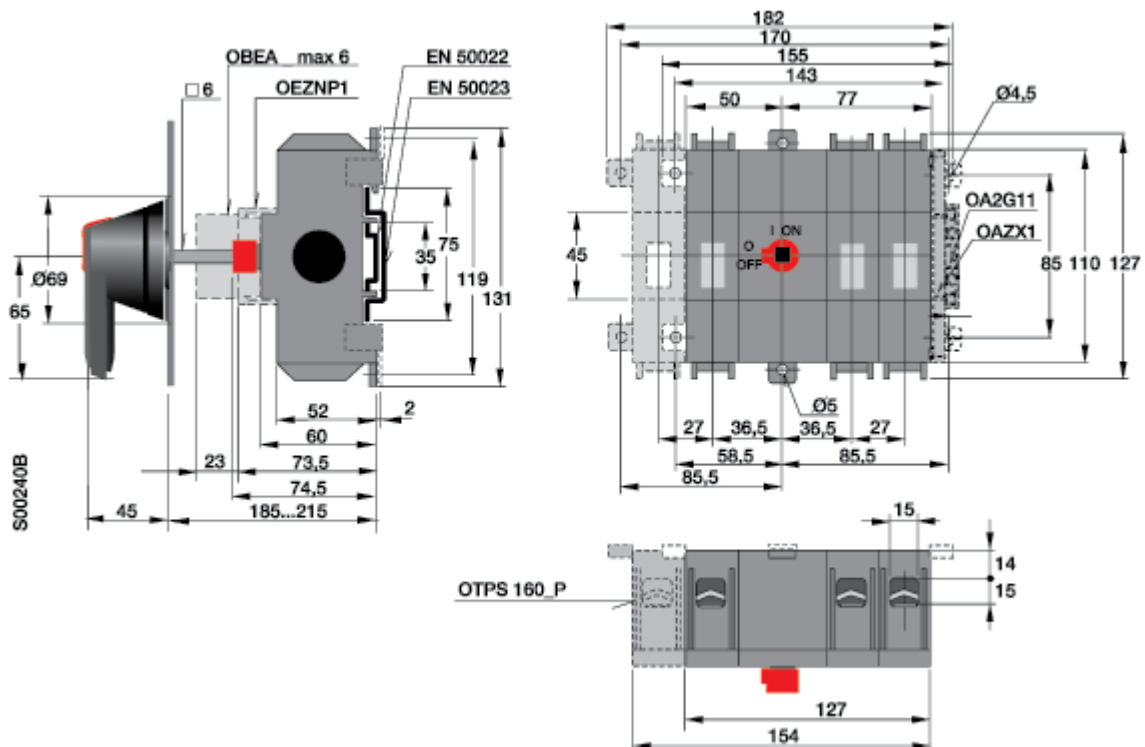


Front operated switch-disconnectors, base mounting Dimension drawings

OT 30, 60, 100, 125F3, _F4



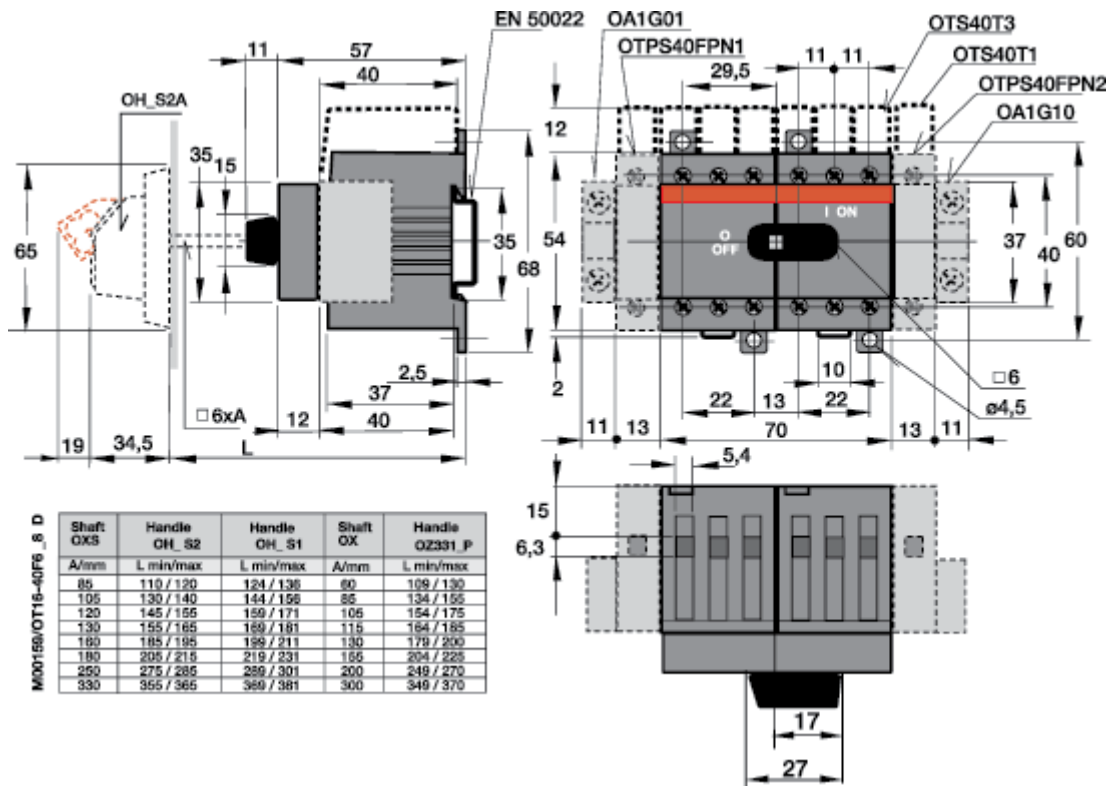
OT 160E3, -4



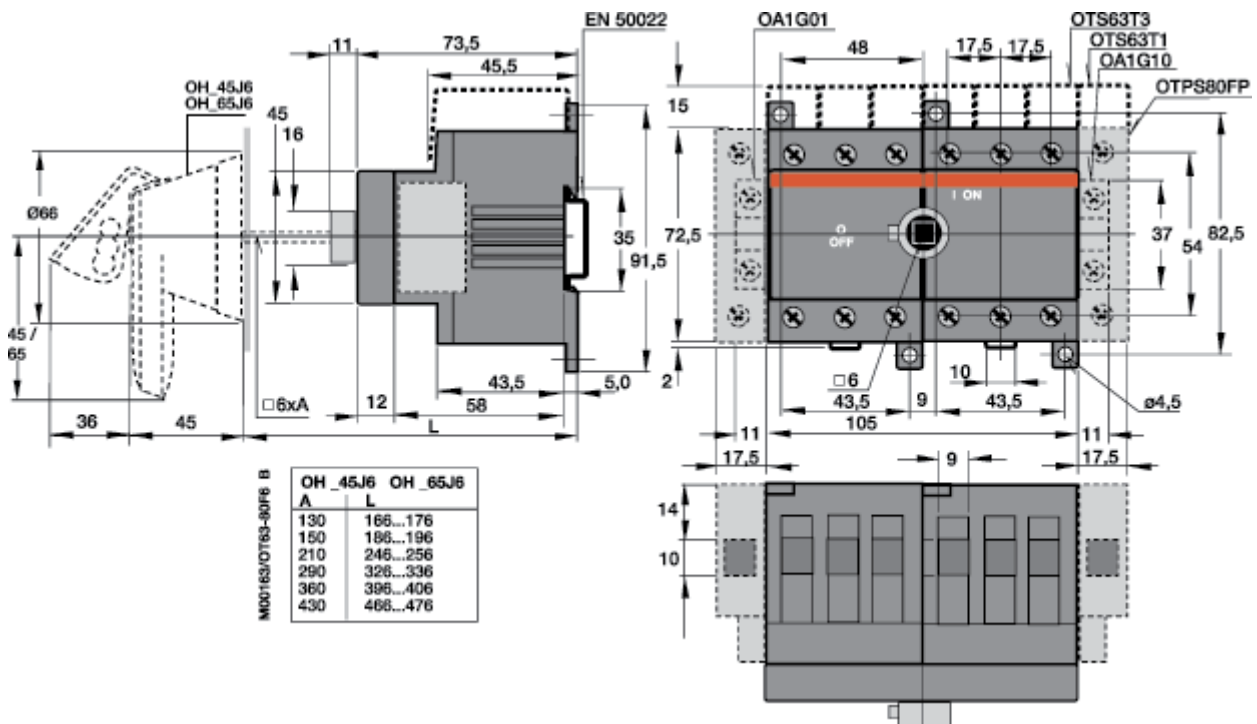


Front operated switch-disconnectors, base mounting Dimension drawings

OT 16...40F6, _F8



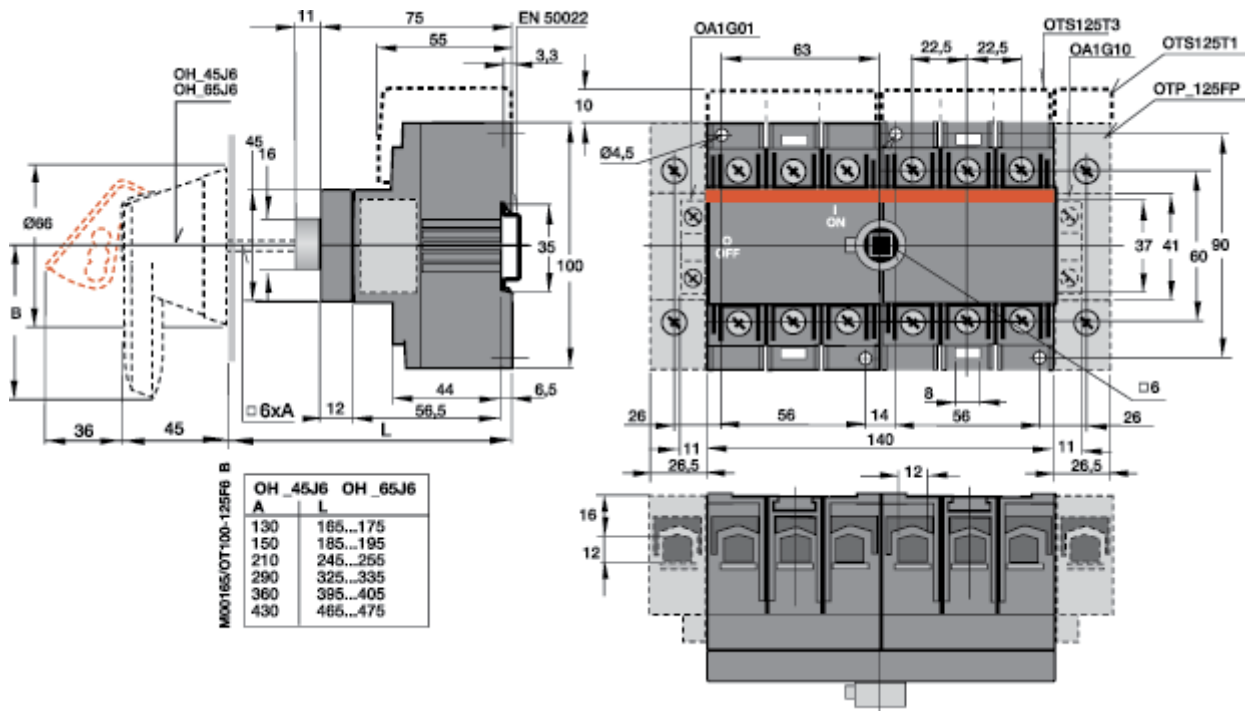
OT 63...80F6, _F8



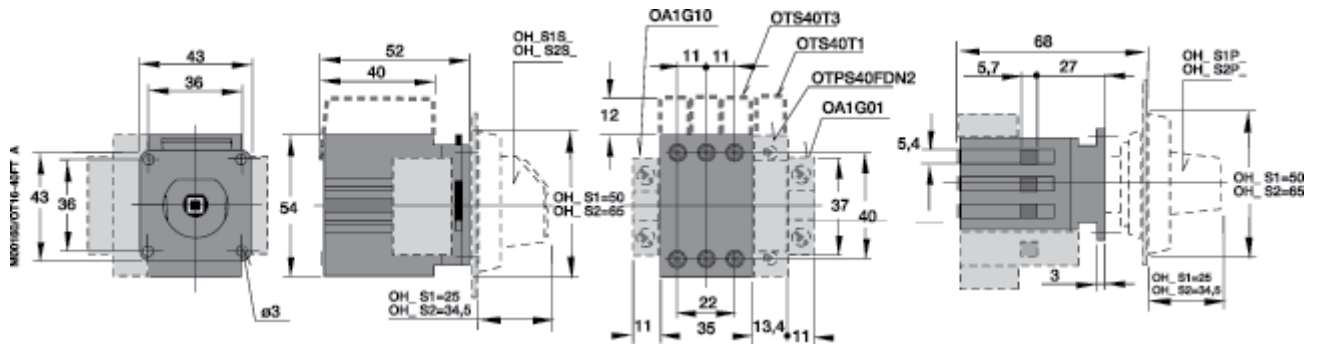


Front operated switch-disconnectors, base/door mounting Dimension drawings

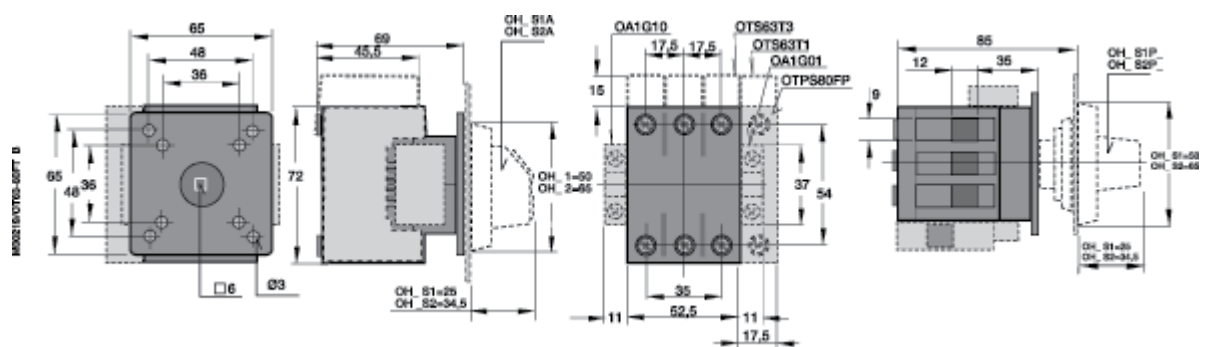
OT 100...125F6, _F8



OT 16...40FT3, _FT4



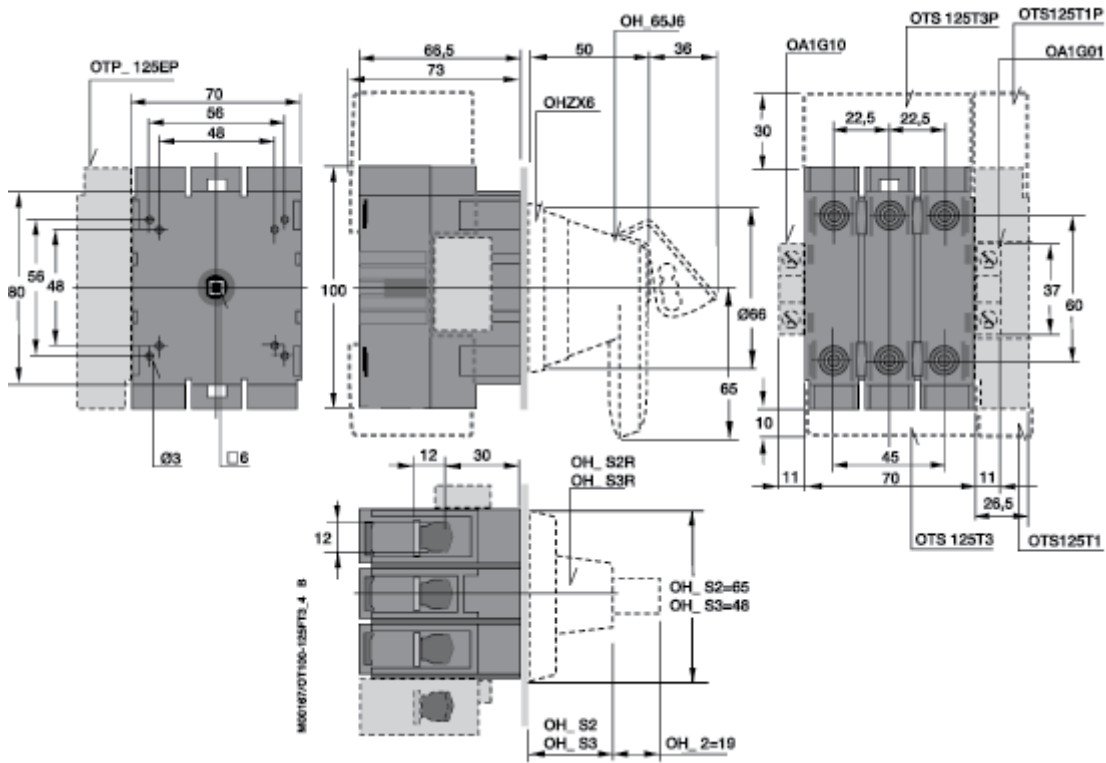
OT 63...80FT3, _FT4



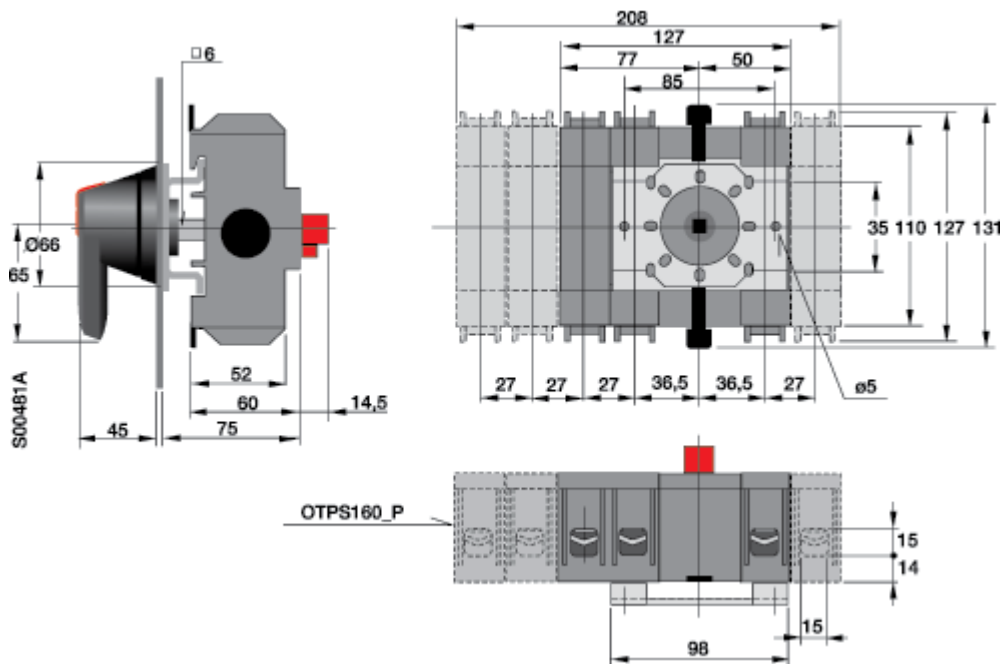


Front operated switch-disconnector, door mounting Dimension drawings

OT 100...125FT3, _FT4



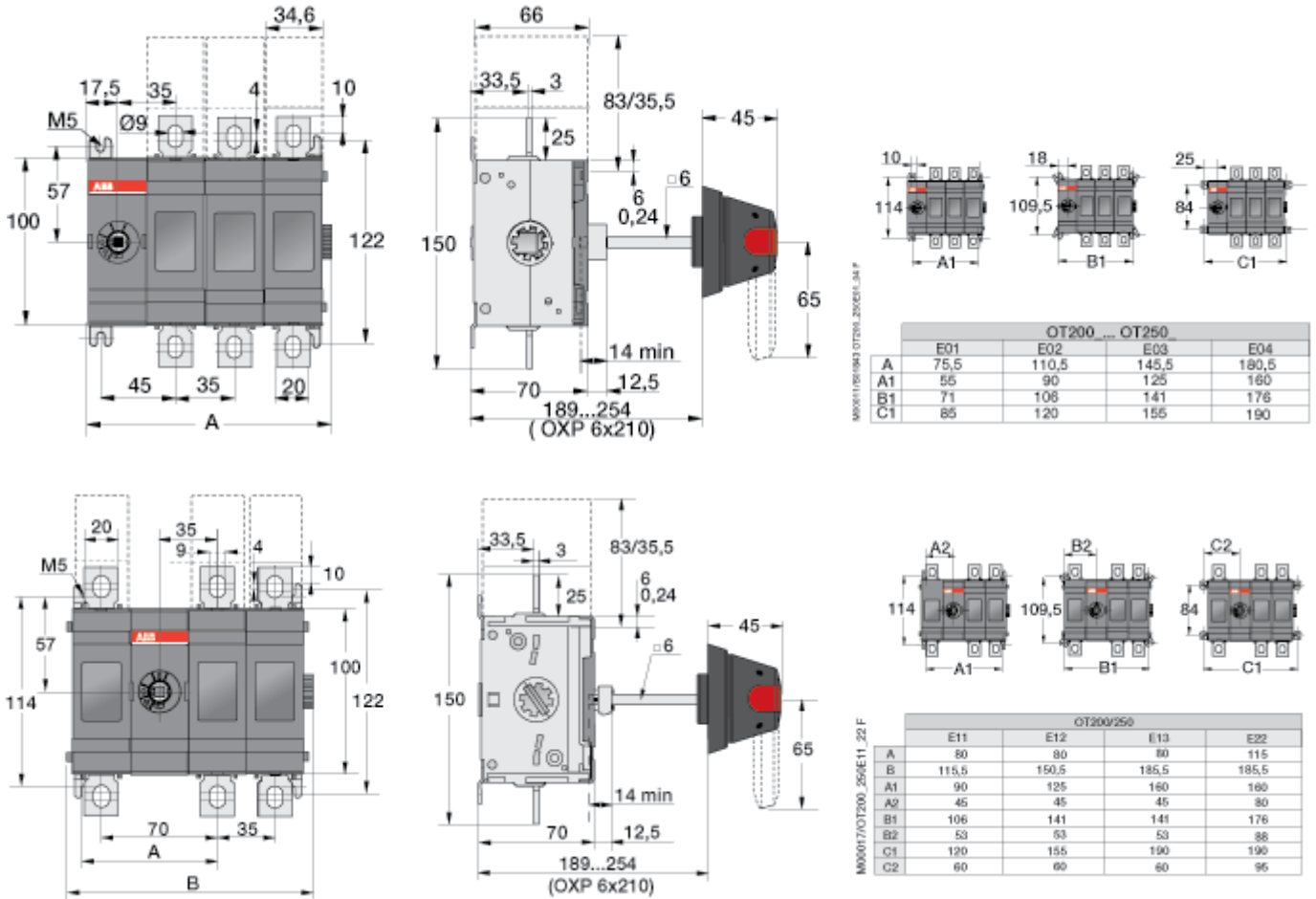
OT 160ET_



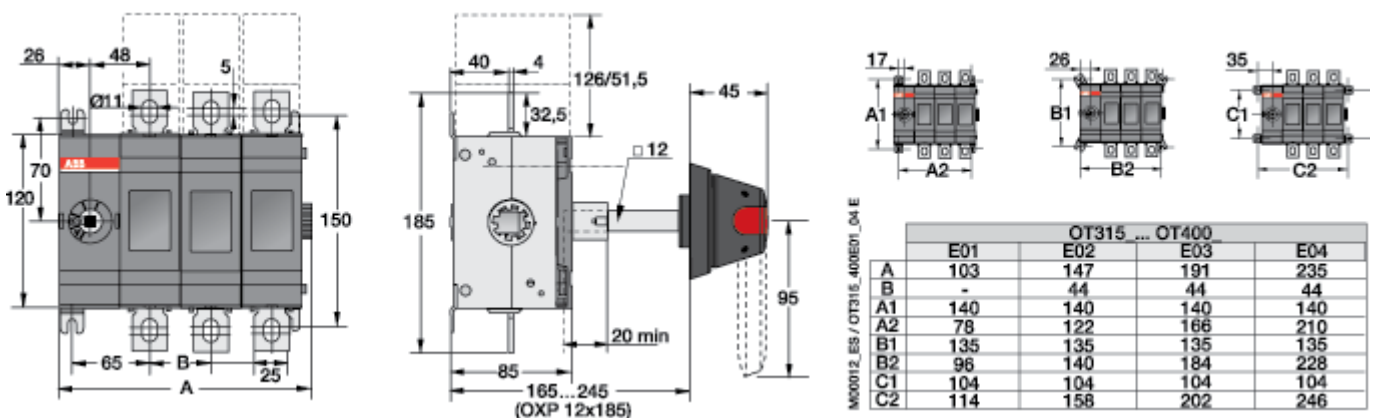


Front operated switch-disconnectors, base mounting Dimension drawings

OT 200_P and OT 250_P



OT 315_P and OT 400_P

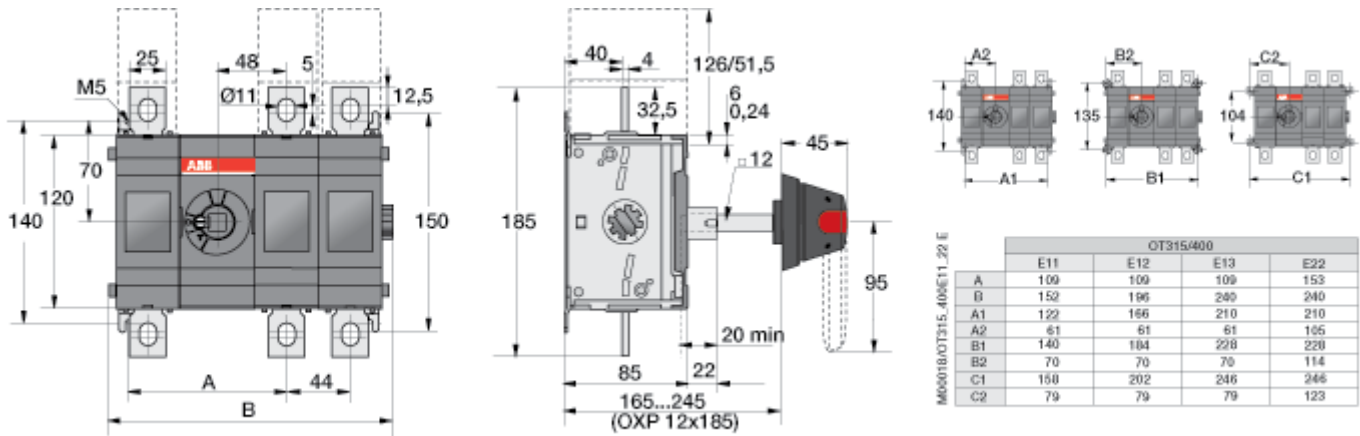




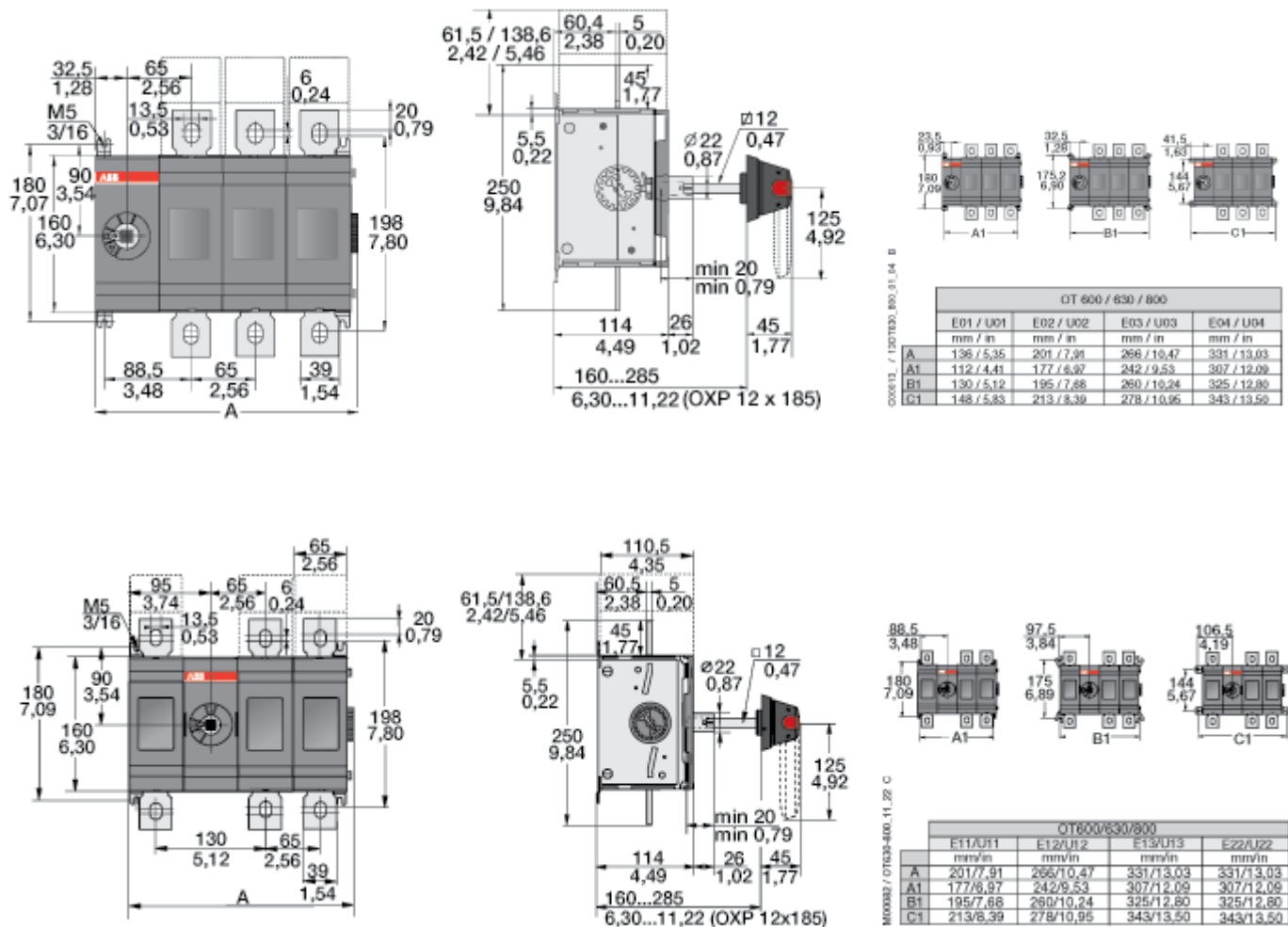
Front operated switch-disconnectors, base mounting

Dimension drawings

OT 315_P and 400_P



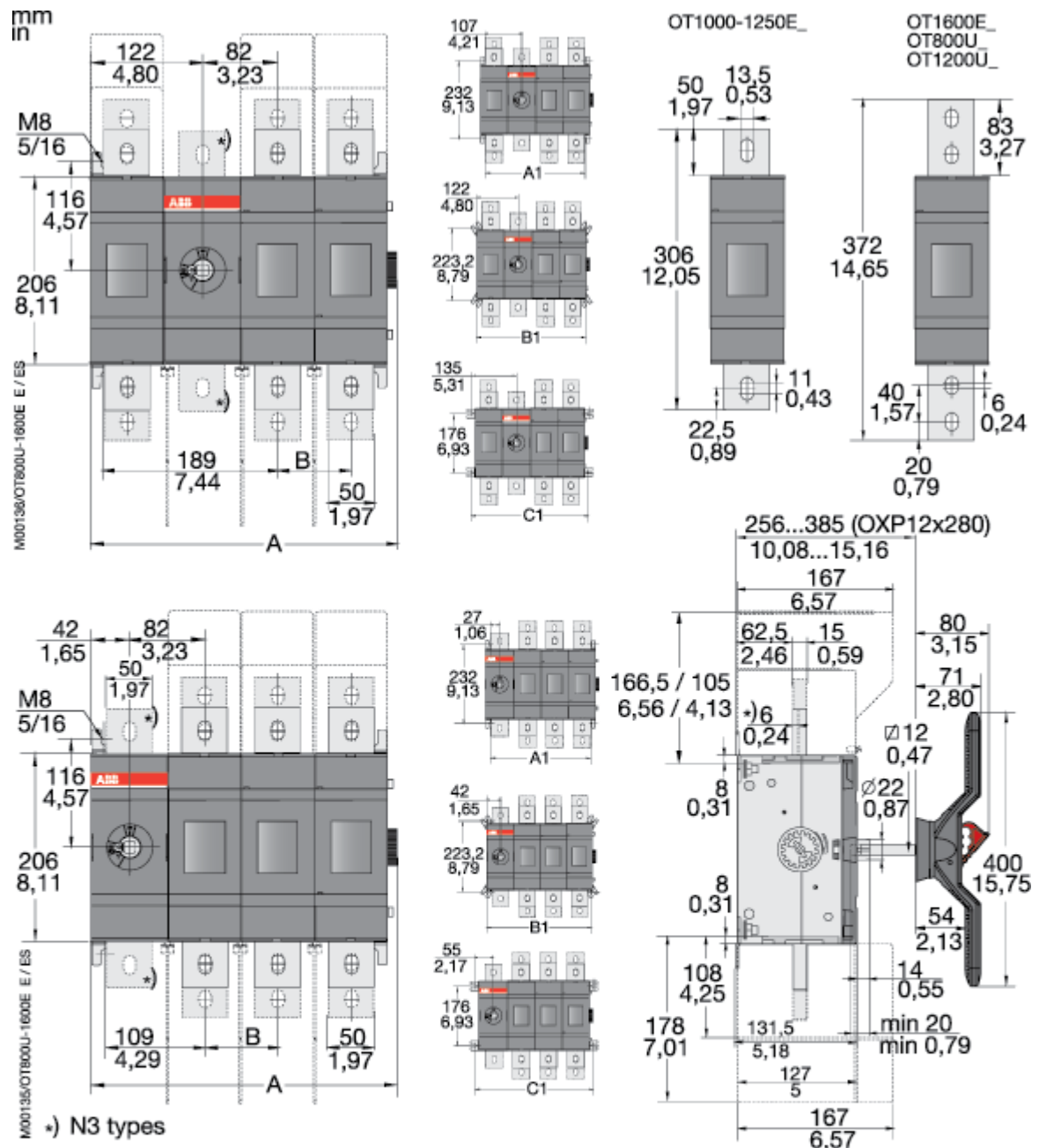
OT 630_P and OT 800_P





Front operated switch-disconnectors, base mounting Dimension drawings

OT 1000_P, OT 1250_P, OT 1600_P and OT 800U_P, OT 1200U_P



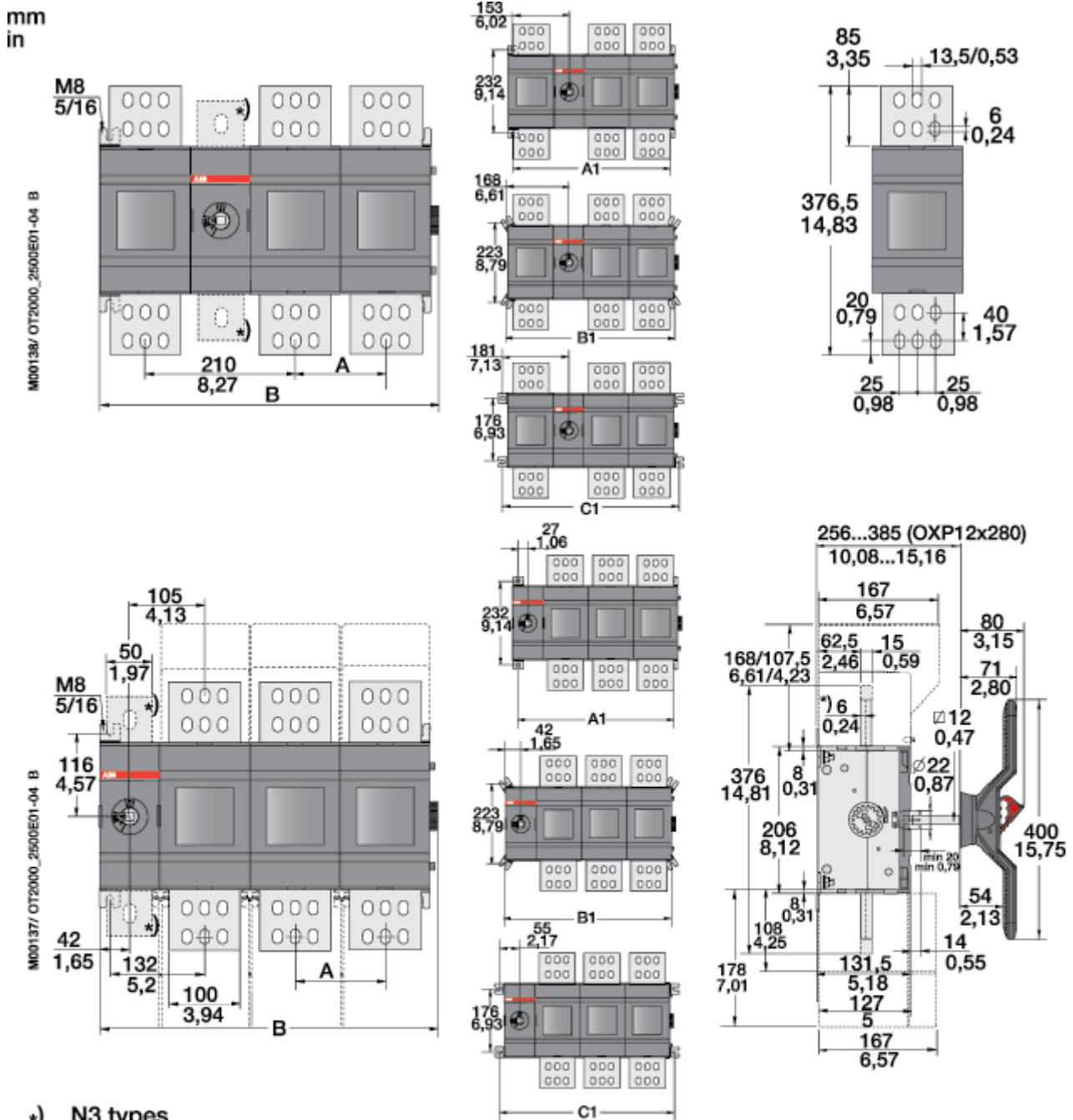
| | | OT 1000/ 1250/ 1600E_ , OT 800/ 1200U_ | | | | | | | | | | | |
|----|----|--|--------|--------|--------|--------|--------|--------|--------|--------|--------|--------|--------|
| | | 01 | 02 | 03 | 04 | 11 | 12 | 13 | 22 | 03W4 | 04W4 | 03W8 | 04W8 |
| A | mm | 174,50 | 254,50 | 334,50 | 414,50 | 254,50 | 334,50 | 414,50 | 414,50 | 454,50 | 594,50 | 544,50 | 729,50 |
| | in | 6,87 | 10,02 | 13,17 | 16,32 | 10,02 | 13,17 | 16,32 | 16,32 | 17,89 | 23,41 | 21,44 | 28,72 |
| B | mm | | 80 | 80 | 80 | | 80 | 80 | 80 | 140 | 140 | 185 | 185 |
| | in | | 3,15 | 3,15 | 3,15 | | 3,15 | 3,15 | 3,15 | 5,51 | 5,51 | 7,28 | 7,28 |
| A1 | mm | 134 | 214 | 294 | 374 | 214 | 294 | 374 | 374 | 414 | 554 | 504 | 689 |
| | in | 5,28 | 8,43 | 11,57 | 14,72 | 8,43 | 11,57 | 14,72 | 14,72 | 16,30 | 21,81 | 19,84 | 27,13 |
| B1 | mm | 164 | 244 | 324 | 404 | 244 | 324 | 404 | 404 | 444 | 584 | 534 | 719 |
| | in | 6,46 | 9,61 | 12,76 | 15,91 | 9,61 | 12,76 | 15,91 | 15,91 | 17,48 | 22,99 | 21,02 | 28,31 |
| C1 | mm | 190 | 270 | 350 | 430 | 270 | 350 | 430 | 430 | 470 | 610 | 560 | 745 |
| | in | 7,48 | 10,63 | 13,78 | 16,93 | 10,63 | 13,78 | 16,93 | 16,93 | 18,50 | 24,02 | 22,05 | 29,33 |



Front operated switch-disconnectors, base mounting

Dimension drawings

OT 2000_P and OT 2500_P



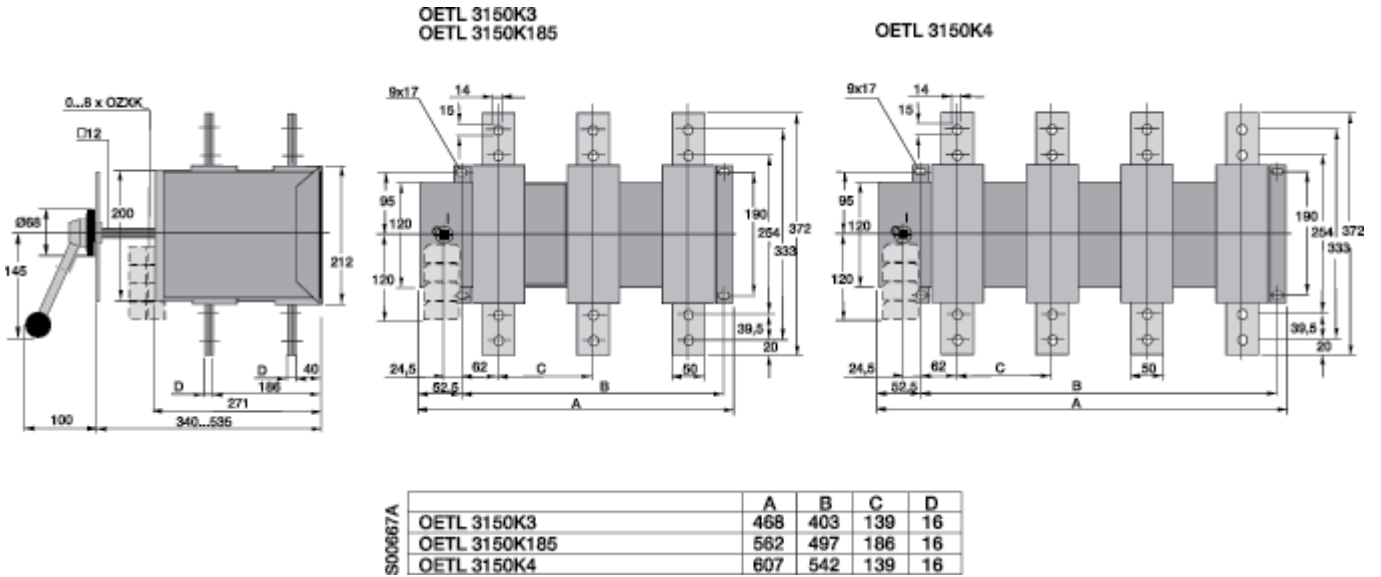
*) N3 types

| | | OT 2000 / 2500E_ | | | | | | | | | | | |
|----|----|------------------|-------|-------|-------|-------|-------|-------|-------|-------|-------|-------|-------|
| | | 01 | 02 | 03 | 04 | 11 | 12 | 13 | 22 | 03W4 | 04W4 | 03W8 | 04W8 |
| A | mm | | 126 | 126 | 126 | | 126 | 126 | 126 | 140 | 140 | 185 | 185 |
| | in | | 4,96 | 4,96 | 4,96 | | 4,96 | 4,96 | 4,96 | 5,51 | 5,51 | 7,28 | 7,28 |
| B | mm | 220,5 | 346,5 | 472,5 | 598,5 | 346,5 | 472,5 | 598,5 | 598,5 | 500,5 | 640,5 | 590,5 | 775,5 |
| | in | 8,68 | 13,64 | 18,60 | 23,56 | 13,64 | 18,60 | 23,56 | 23,56 | 19,70 | 25,22 | 23,25 | 30,53 |
| A1 | mm | 180 | 306 | 432 | 558 | 306 | 432 | 558 | 558 | 460 | 600 | 550 | 735 |
| | in | 7,09 | 12,05 | 17,01 | 21,97 | 12,05 | 17,01 | 21,97 | 21,97 | 18,11 | 23,62 | 21,65 | 28,94 |
| B1 | mm | 210 | 336 | 462 | 588 | 336 | 462 | 588 | 588 | 490 | 630 | 580 | 765 |
| | in | 8,27 | 13,23 | 18,19 | 23,15 | 13,23 | 18,19 | 23,15 | 23,15 | 19,29 | 24,80 | 22,83 | 30,12 |
| C1 | mm | 236 | 362 | 488 | 614 | 362 | 488 | 614 | 614 | 516 | 656 | 606 | 791 |
| | in | 9,29 | 14,25 | 19,21 | 24,17 | 14,25 | 19,21 | 24,17 | 24,17 | 20,31 | 25,83 | 23,86 | 31,14 |

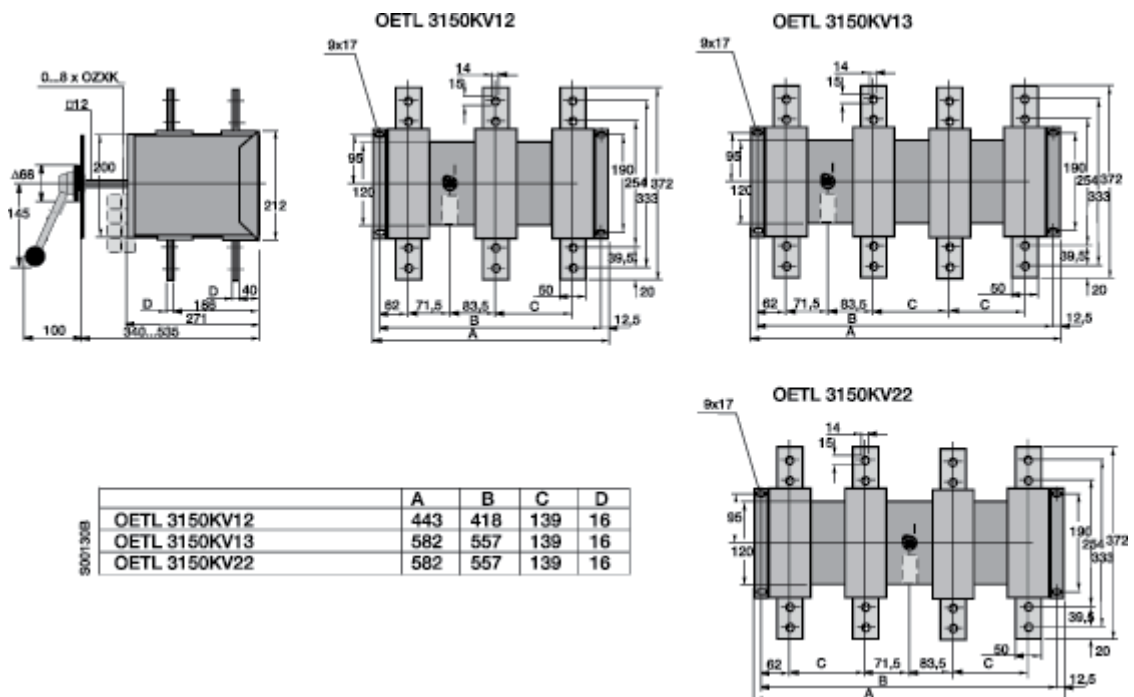


Front operated switch-disconnectors, base mounting Dimension drawings

OETL 3150 K_



OETL 3150 KV_

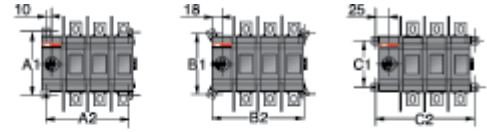
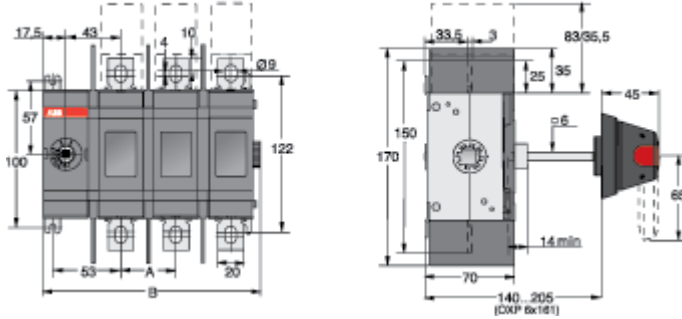




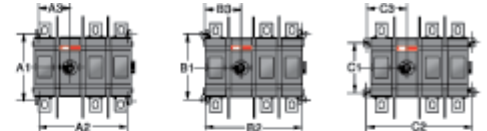
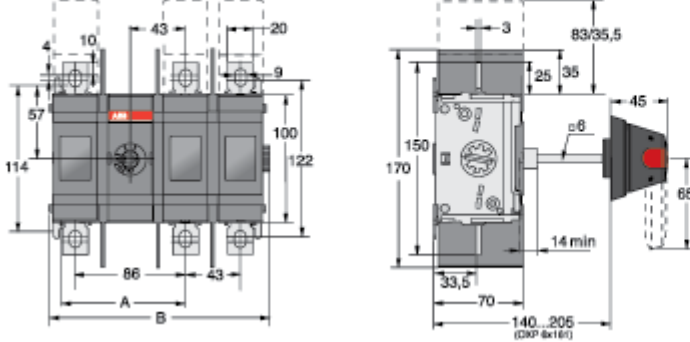
Front operated switch-disconnectors, base mounting

Dimension drawings

OT 200_WP and OT 250_WP

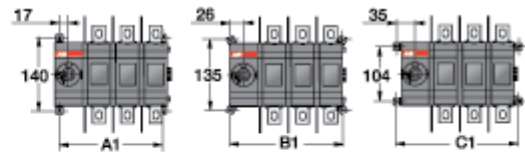
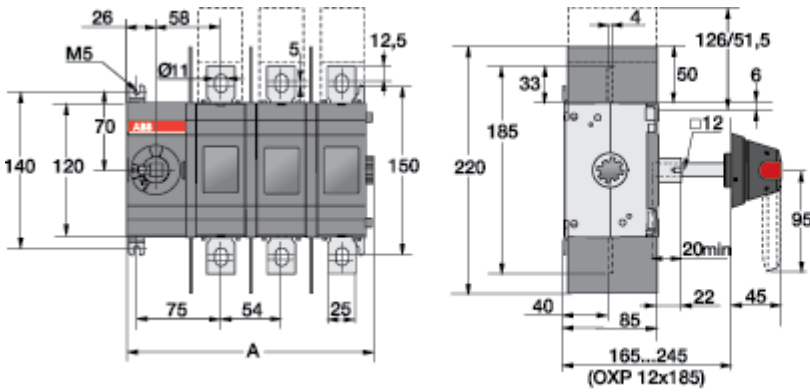


| OT200/250 | | | | |
|-----------|-------|-------|-------|-------|
| | E01W | E02W | E03W | E04W |
| | mm | mm | mm | mm |
| A | - | 43 | 43 | 43 |
| B | 83,5 | 126,5 | 169,5 | 212,5 |
| A1 | 114 | 114 | 114 | 114 |
| A2 | 63 | 106 | 149 | 192 |
| B1 | 109,5 | 109,5 | 109,5 | 109,5 |
| B2 | 79 | 122 | 165 | 208 |
| C1 | 84 | 84 | 84 | 84 |
| C2 | 93 | 136 | 179 | 222 |



| OT 200/250 | | | | |
|------------|-------|-------|-------|-------|
| | mm | mm | mm | mm |
| A | 96 | 96 | 96 | 139 |
| B | 131,5 | 174,5 | 217,5 | 217,5 |
| A1 | 114 | 114 | 114 | 114 |
| A2 | 106 | 149 | 192 | 192 |
| A3 | 53 | 53 | 53 | 96 |
| B1 | 109,5 | 109,5 | 109,5 | 109,5 |
| B2 | 122 | 165 | 208 | 208 |
| B3 | 61 | 61 | 61 | 104 |
| C1 | 84 | 84 | 84 | 84 |
| C2 | 136 | 179 | 222 | 222 |
| C3 | 68 | 68 | 68 | 111 |

OT 315_WP and OT 400_WP



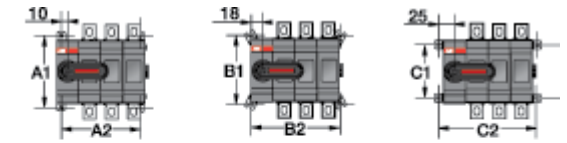
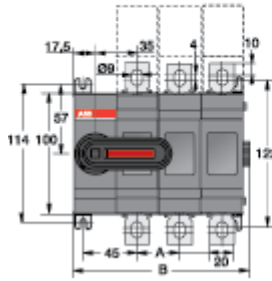
| OT315/400 | | | | |
|-----------|------|------|------|------|
| | E01W | E02W | E03W | E04W |
| | mm | mm | mm | mm |
| A | 113 | 167 | 221 | 275 |
| A1 | 88 | 142 | 196 | 250 |
| B1 | 106 | 160 | 214 | 268 |
| C1 | 124 | 178 | 232 | 286 |

OT 1000_W_P...OT 2000_W_P, see pages 49 and 50



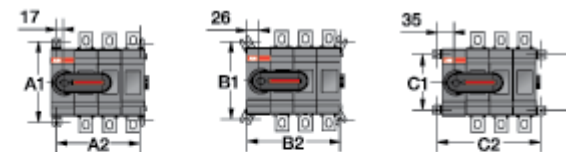
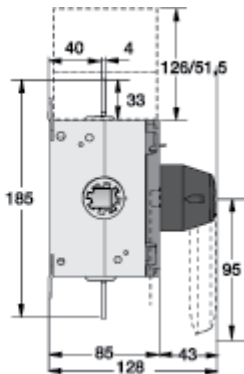
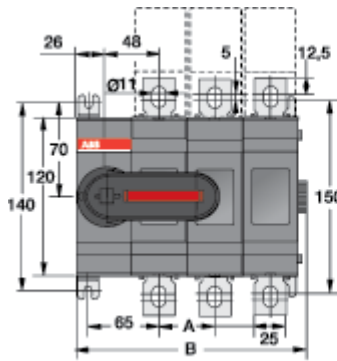
Front operated switch-disconnectors, base mounting Dimension drawings

OT 200_K and OT 250_K



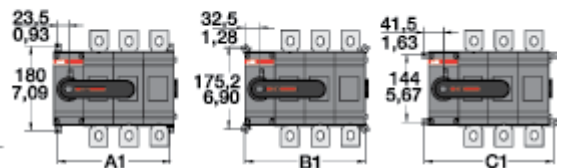
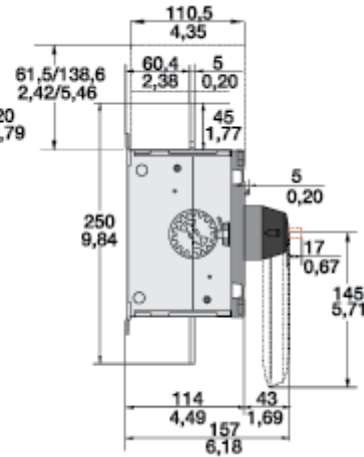
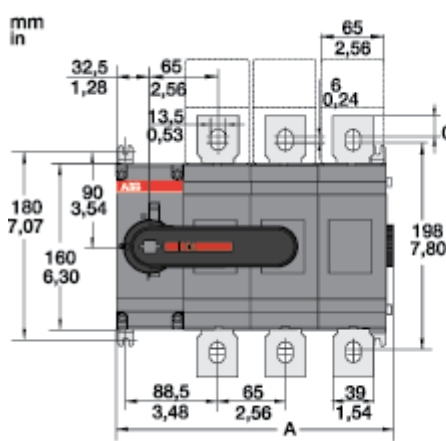
| M00076 OT200_250ED1_DAK A | | | | |
|---------------------------|-------|-------|-------|-------|
| OT200 ... OT250 | | | | |
| | E01K | E02K | E03K | E04K |
| A | - | 35 | 35 | 35 |
| B | 75,5 | 110,5 | 145,5 | 180,5 |
| A1 | 114 | 114 | 114 | 114 |
| A2 | 55 | 90 | 125 | 160 |
| B1 | 109,5 | 109,5 | 109,5 | 109,5 |
| B2 | 71 | 106 | 141 | 178 |
| C1 | 84 | 84 | 84 | 84 |
| C2 | 85 | 120 | 155 | 190 |

OT 315_K and OT 400_K



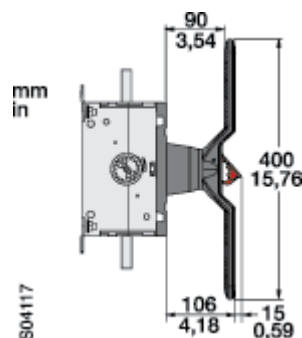
| M00079 OT315_400ED1_DAK A | | | | |
|---------------------------|------|------|------|------|
| OT315 ... OT400 | | | | |
| | E01K | E02K | E03K | E04K |
| A | - | 44 | 44 | 44 |
| B | 103 | 147 | 191 | 235 |
| A1 | 140 | 140 | 140 | 140 |
| A2 | 78 | 122 | 166 | 210 |
| B1 | 135 | 135 | 135 | 135 |
| B2 | 96 | 140 | 184 | 228 |
| C1 | 104 | 104 | 104 | 104 |
| C2 | 114 | 158 | 202 | 246 |

OT 630_K and OT 800_K



| M00086 / 13101800-803L1-04M105 A | | | | |
|----------------------------------|----------|----------|-----------|-----------|
| OT 630/800 | | | | |
| | E01K | E02K | E03K | E04K |
| | mm/in | mm/in | mm/in | mm/in |
| A | 136/5,35 | 201/7,91 | 266/10,47 | 331/13,03 |
| A1 | 112/4,41 | 177/6,97 | 242/9,53 | 307/12,09 |
| B1 | 130/5,12 | 195/7,68 | 260/10,24 | 325/12,80 |
| C1 | 148/5,83 | 213/8,39 | 278/10,95 | 343/13,50 |

Other switch dimensions, please see pages 49 and 50

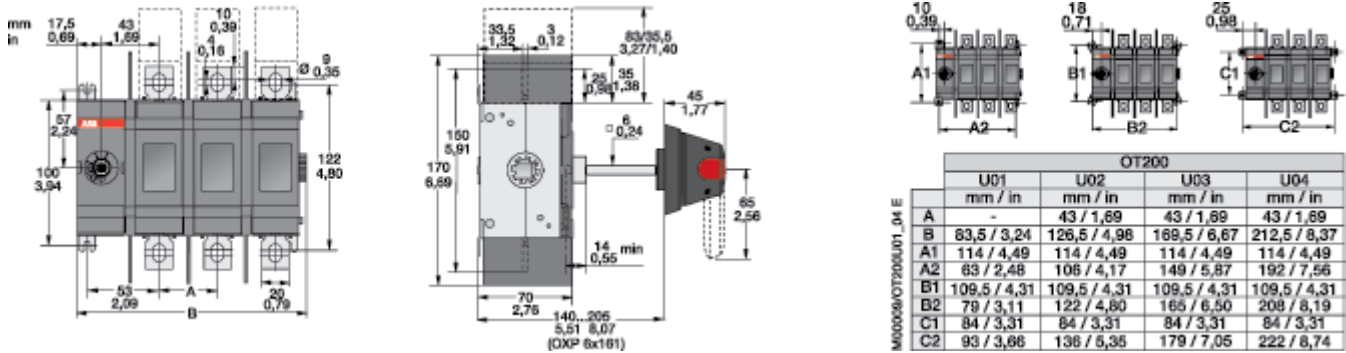




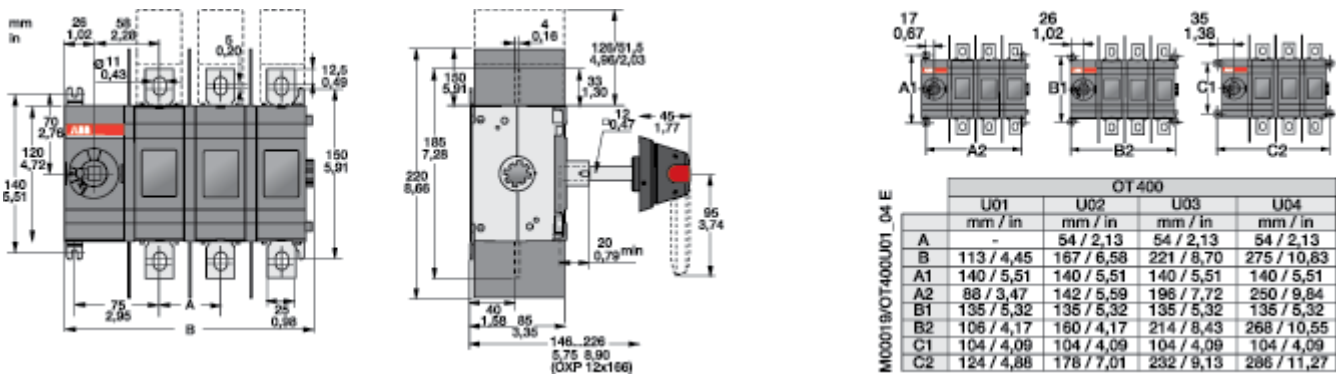
Front operated switch-disconnectors, base mounting

Dimension drawings

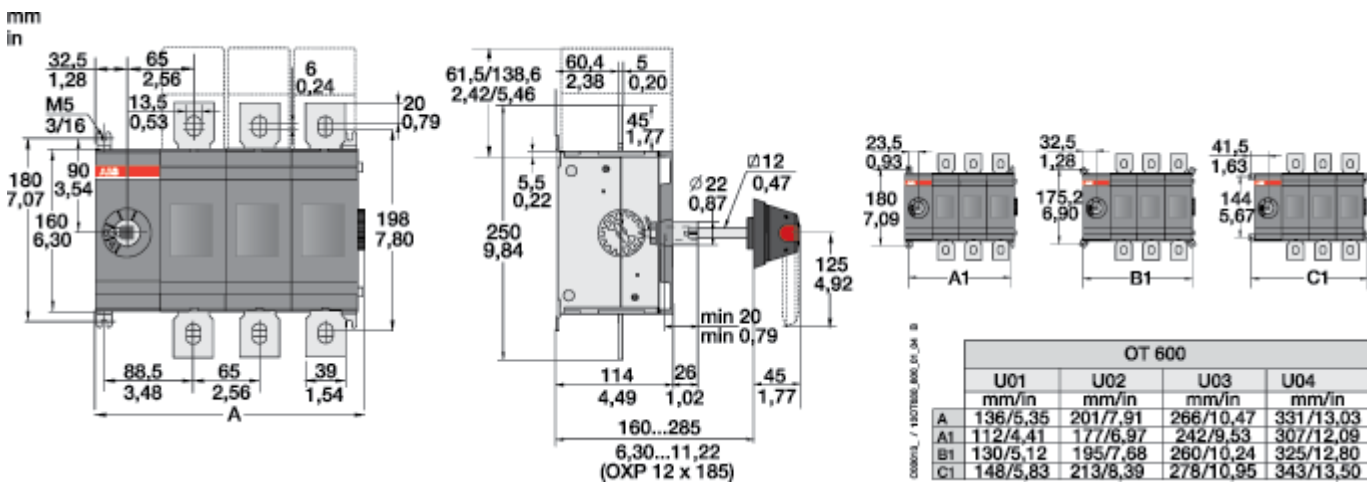
OT 200U_P



OT 400U_P



OT 600U_P

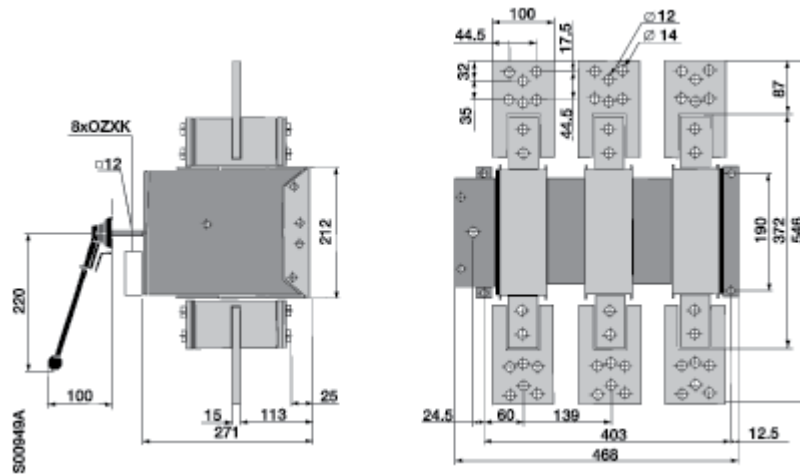


OT 800U_P..OT 1200U_P, see page 49

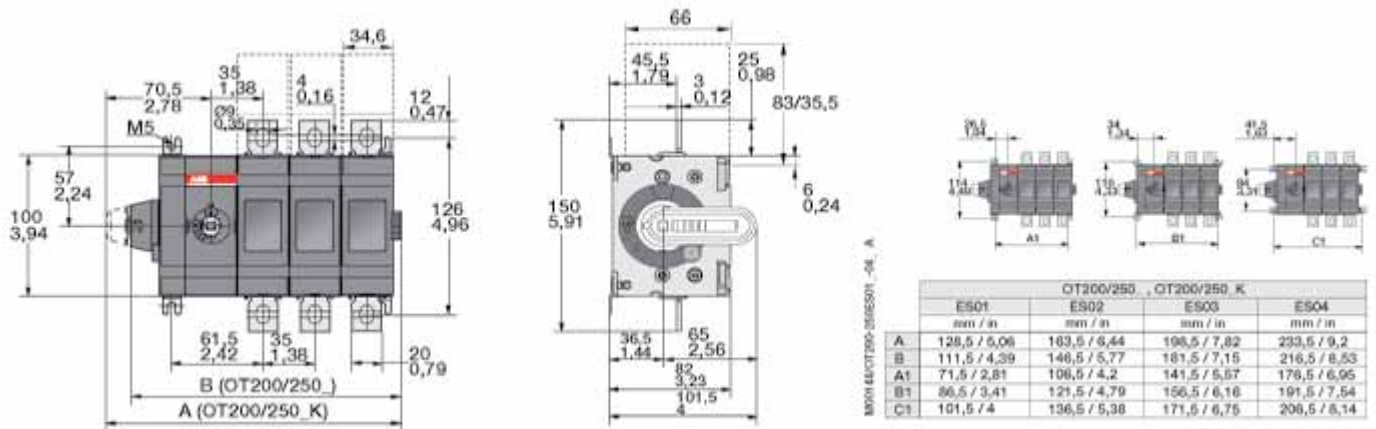


Front and side operated switch-disconnectors, base mounting Dimension drawings

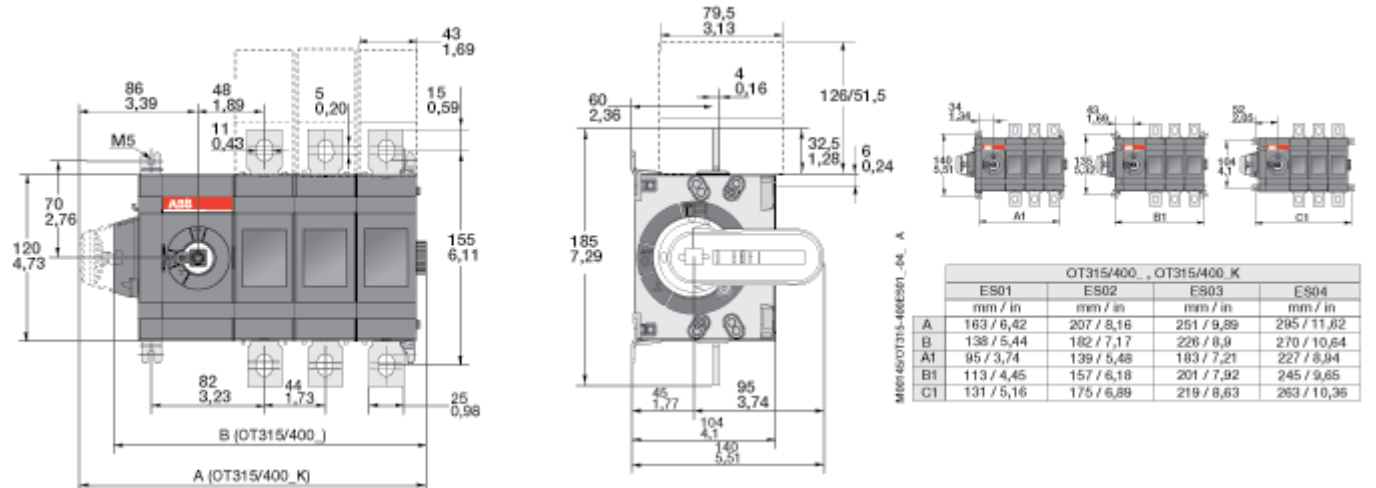
OETL-NF1600P and OETL-NF2000P



OT 200ES_ and OT 250ES_



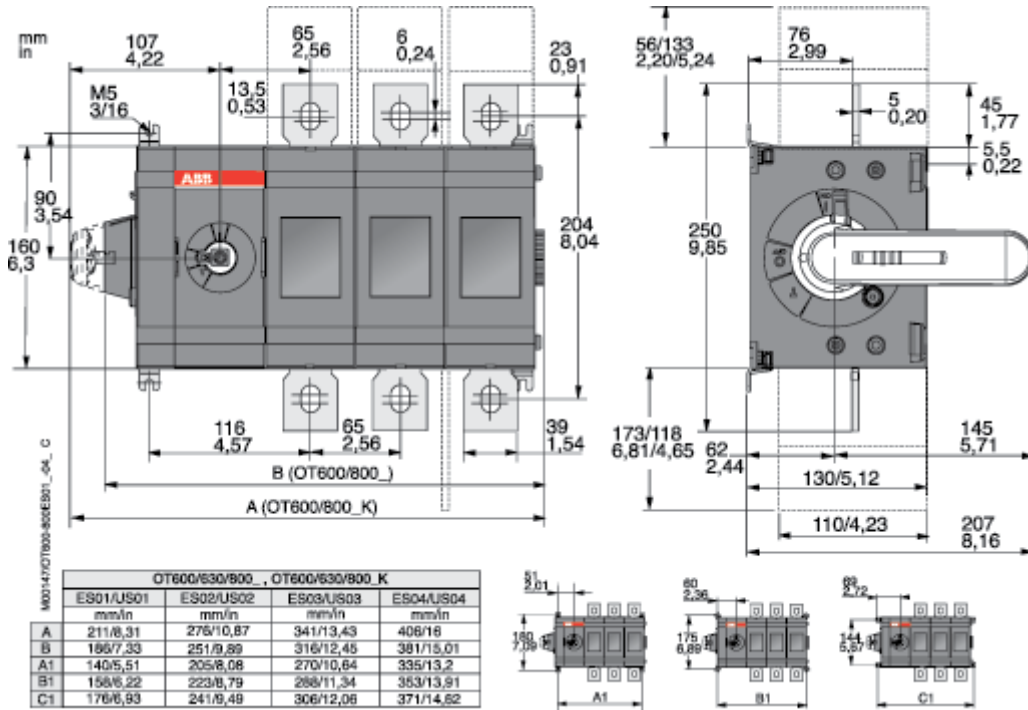
OT 315ES_ and OT 400ES_





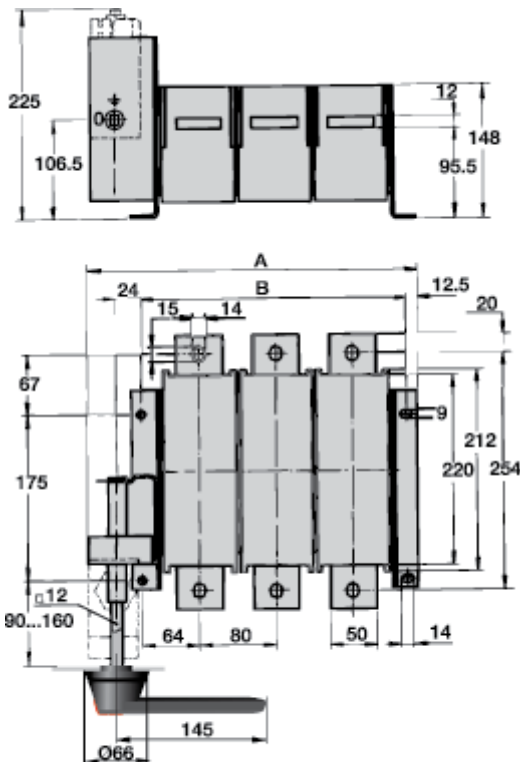
Side operated switch-disconnectors and earthing switches Dimension drawings

OT 630ES_ and OT 800ES_



OETL 1250M_

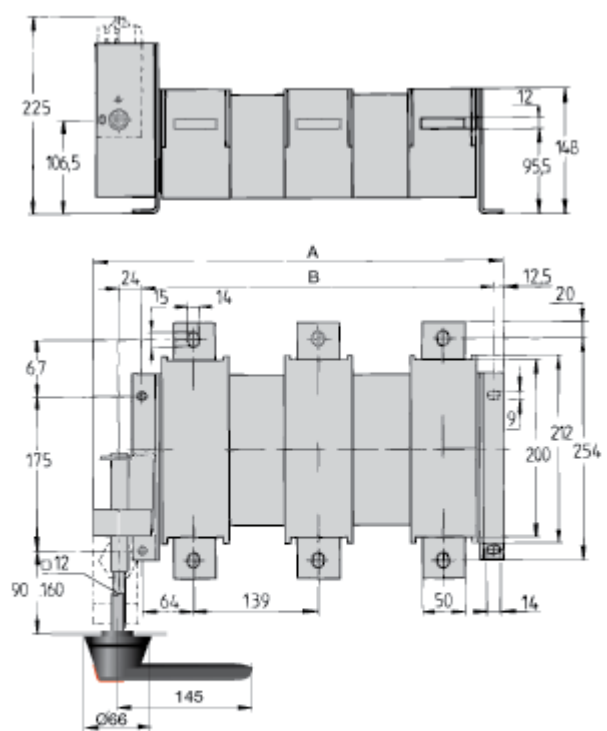
OETL 1250 M3



S00502C

| | A | B |
|---------------|-----|-----|
| OETL 1250 M 3 | 348 | 283 |
| OETL 1250 M 4 | 428 | 363 |

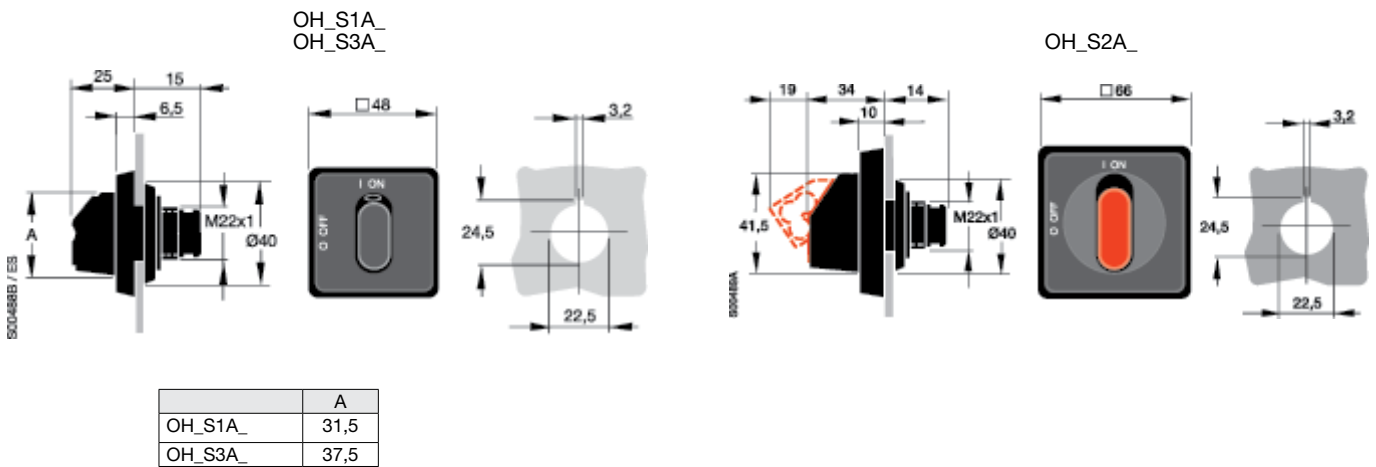
OETL 1250 M140_



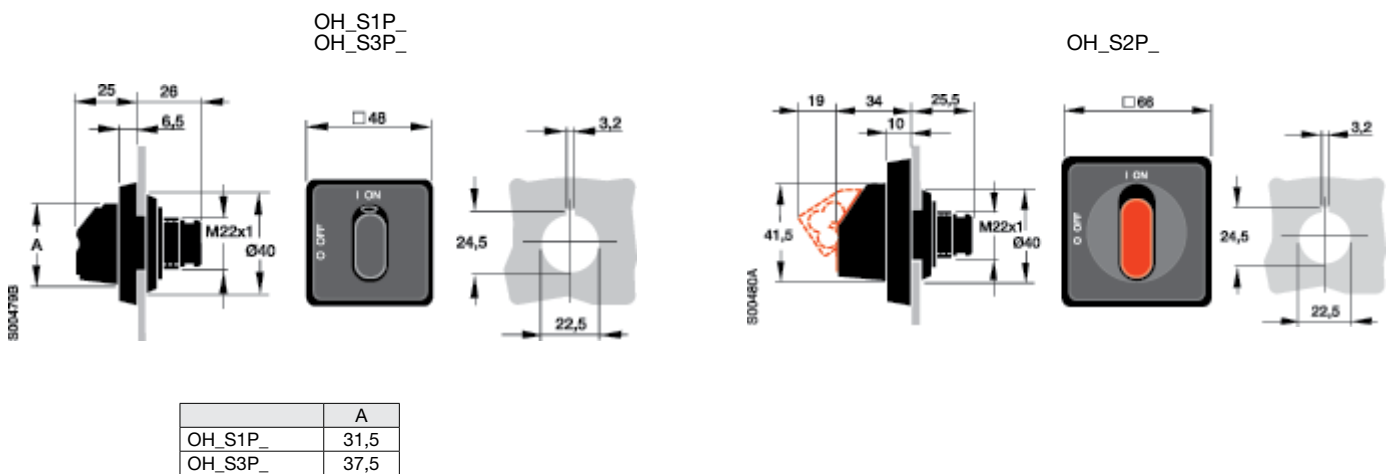
S00104C

| | A | B |
|------------------|-----|-----|
| OETL 1250 M 140 | 466 | 401 |
| OETL 1250 M4 140 | 605 | 540 |

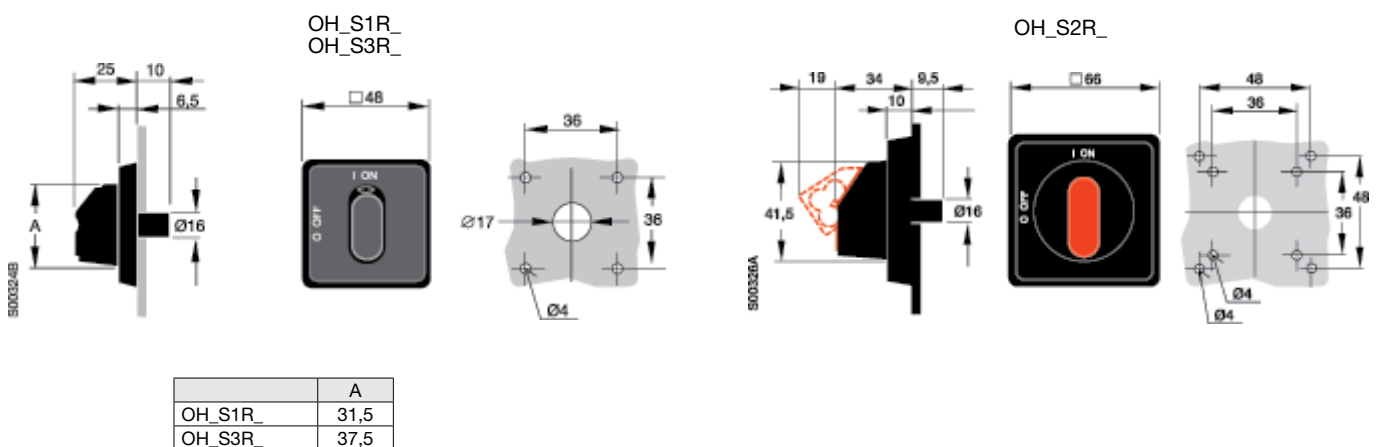
Handles for base and DIN-rail mounted switches



Handles for door mounted switches (snap-on mounting)



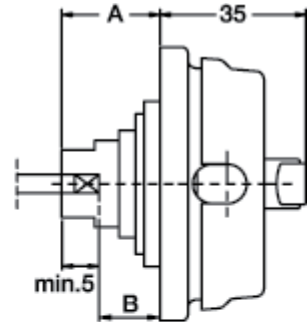
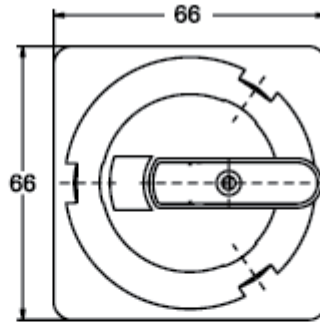
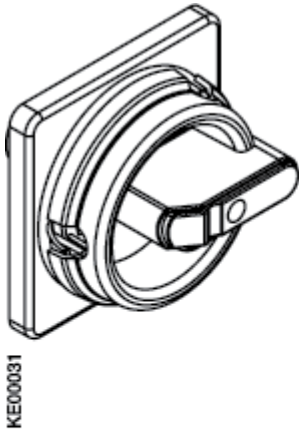
Handles for door mounted switches (screw-mounting)



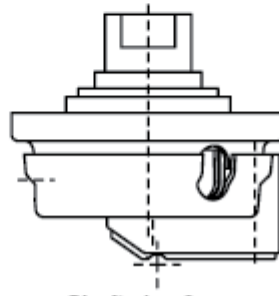


Handles Dimension drawings

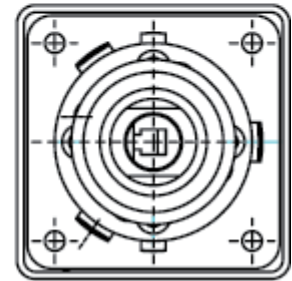
Round padlockable handle OZ331P_ and OZ371P_



| | OZ331P_ | OZ371P_ |
|---|---------|---------|
| A | 24 | 21 |
| B | 3-10 | 4-5 |



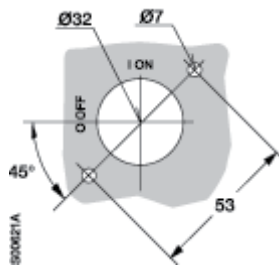
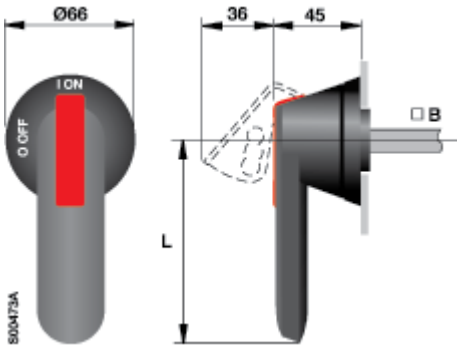
Shaft size 6 mm



Plastic handles

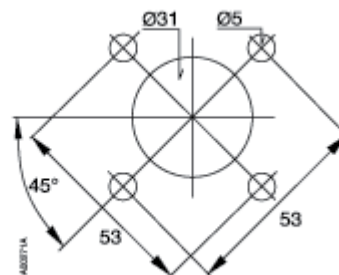
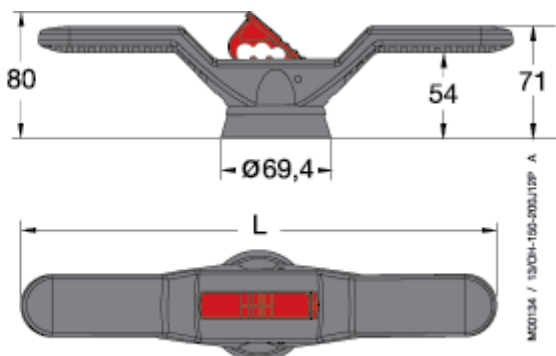
OH_

Door drilling for OH_ -handles:



| Handle type | Shaft (mm) | |
|-------------|----------------------|----|
| | Handle length (mm) L | B |
| OH_45J6 | 45 | 6 |
| OH_65J6 | 65 | 6 |
| OH_80J6 | 80 | 6 |
| OH_95J12 | 95 | 12 |
| OH_125J12 | 125 | 12 |
| OH_145J12 | 145 | 12 |
| OH_175J12 | 175 | 12 |
| OH_275J12 | 275 | 12 |

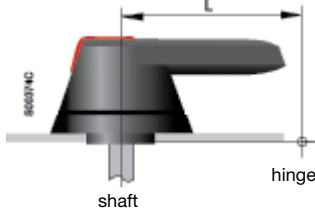
| Handle type | L |
|-------------|-----|
| OHB150J12P | 300 |
| OHB200J12P | 400 |
| OHM150L12P | 300 |
| OHM200L12P | 400 |





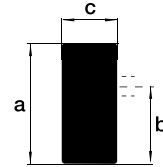
Handles, legend plate Dimension drawings

Minimum distance L, between the hinge and the rotating shaft



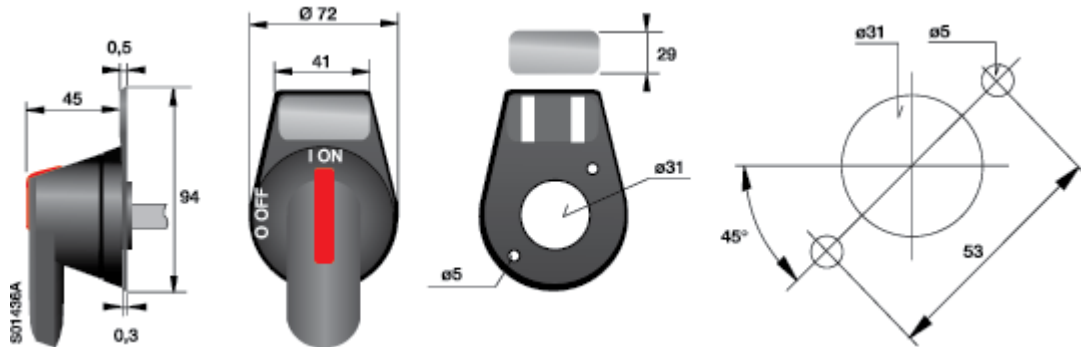
| Switch size | Length L [mm] | Handle type |
|---------------|---------------|------------------|
| OT16...125 | 75 | OH_1, OH_2, OH_3 |
| OT160...250_P | 60 | OH_65J_ |
| OT315...400_P | 95 | OH_95J_ |
| OT630...800_P | 150 | OH_125J_ |
| OETL3150 | 220 | YASDA 7, 8 |
| | 275 | OH_275J12 |

Handle knobs



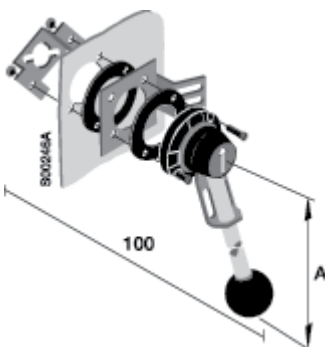
| | a | b | c |
|----------------|----|----|------|
| OHBS 1, OHRS 1 | 31 | 16 | 14 |
| OHBS 2, OHRS 2 | 40 | 25 | 13 |
| OHBS 3, OHRS 3 | 39 | 23 | 18 |
| OHBS 9, OHRS 9 | 72 | 55 | 16 |
| OHB 13 | 72 | 55 | 18 |
| YAST 1 | 72 | 55 | 15.5 |

Legend plate for pistol handles, OPB3, OPY3 and OPX3

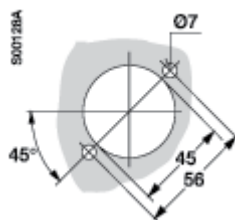


Metallic handles

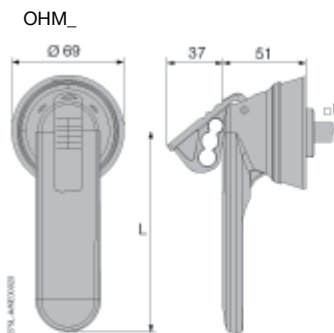
YASDA 6, 35 (A = 320 mm)
YASDA 7, 8, 21 (A = 220 mm)
YASDA 24 (A = 145 mm)



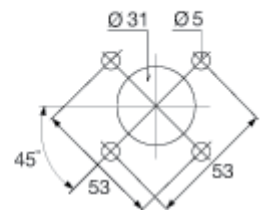
Door drilling for YASDA_ :



Stainless steel handles



Door drilling for OHM_



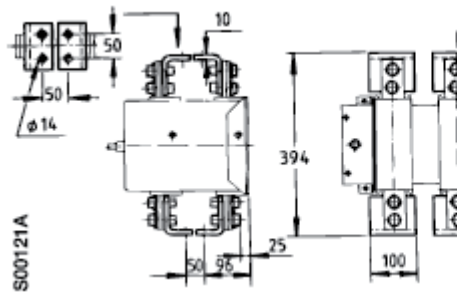
| Handle type | OHM22L6 | OHM105L12 | OHM176L12 | OHM276L12 |
|-------------|---------|-----------|-----------|-----------|
| L | 65 | 125 | 176 | 276 |
| B | 6 | 12 | 12 | 12 |



Connection busbars, motor operator Dimension drawings

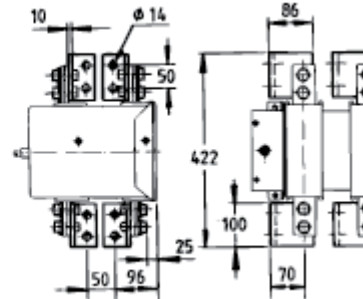
Connection busbars for OETL 3150

OETLZX 114, 114/1



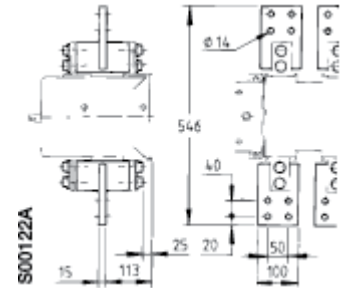
Alternative 1
- vertical/back mounting

OETLZX 114, 114/1



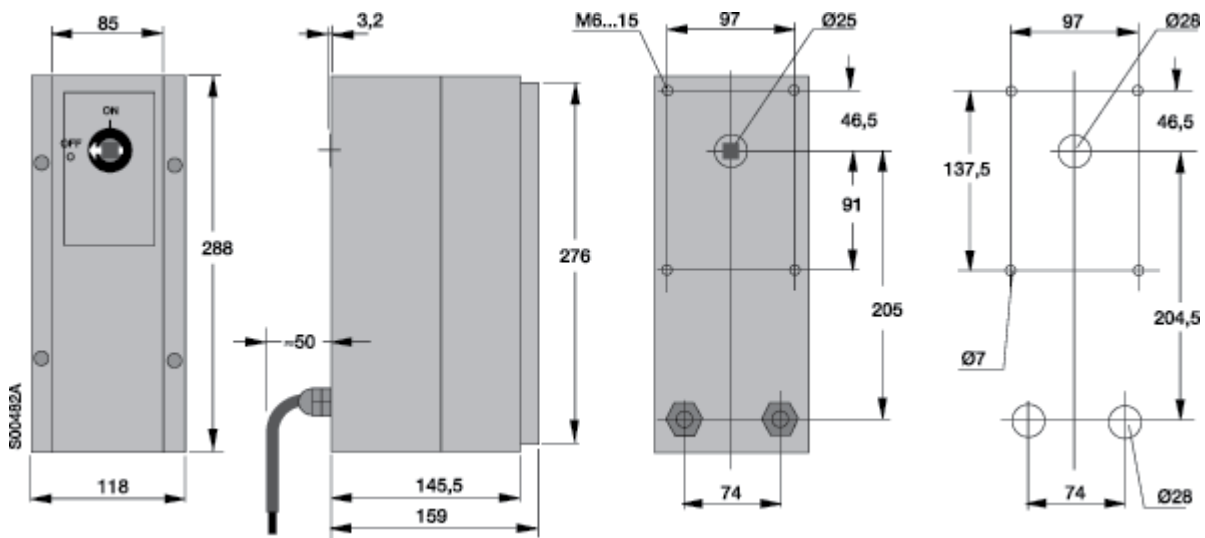
Alternative 2
- edgewise mounting

OETLZX 115, 115/1

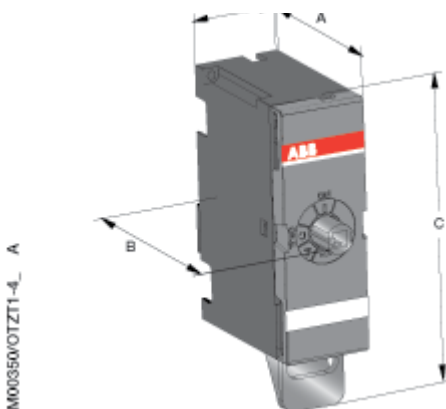


Alternative 3
- vertical mounting

Motor operator OEMO



Electrical and mechanical interlock OTZT_



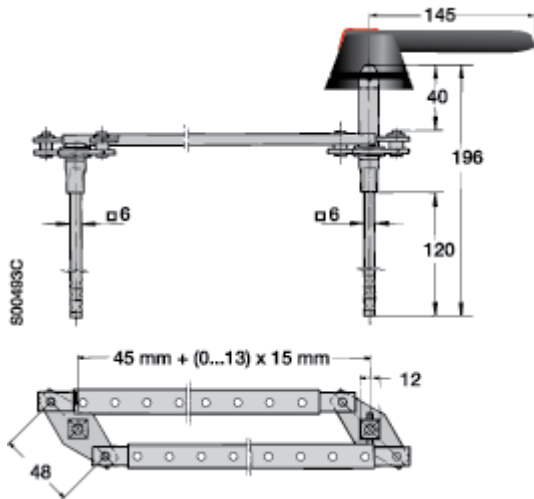
| TYPE | A (mm) | B (mm) | C (mm) | D (mm) |
|-------|--------|--------|--------|--------|
| OTZT1 | 69 | 82 | 122 | 35 |
| OTZT2 | 81 | 102 | 152 | 52 |
| OTZT3 | 86 | 110 | 201 | 65 |
| OTZT4 | 88 | 110 | 258 | 84 |



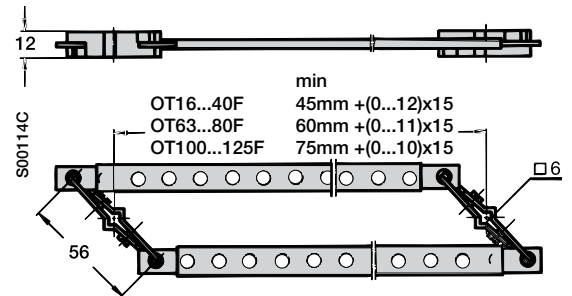
Conversion kits Dimension drawings

6 and 8-pole mechanism

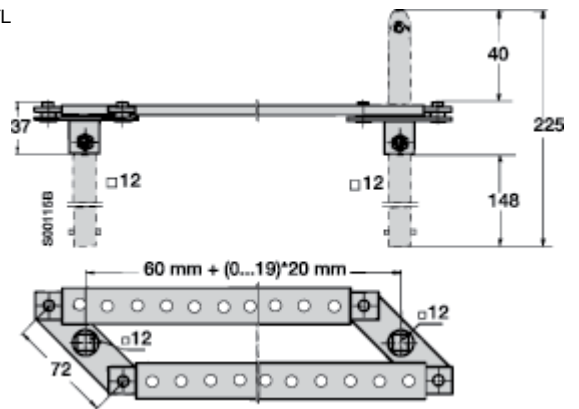
OESAZW 2



OTZW 8

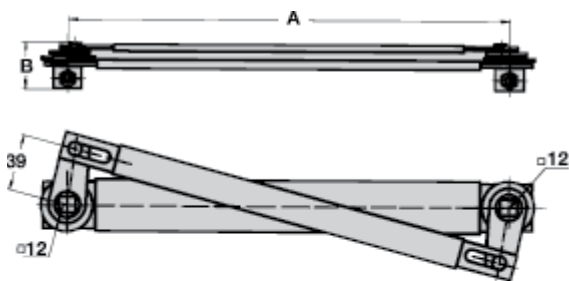


OETL



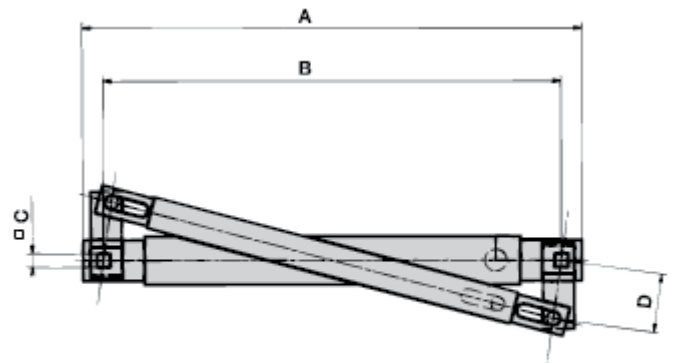
Mechanical interlock mechanism

OETLZW 3, 14, 15



| | A | B |
|-----------|-----|----|
| OETLZW 3 | 300 | 31 |
| OETLZW 14 | 250 | 31 |
| OETLZW 15 | 500 | 36 |

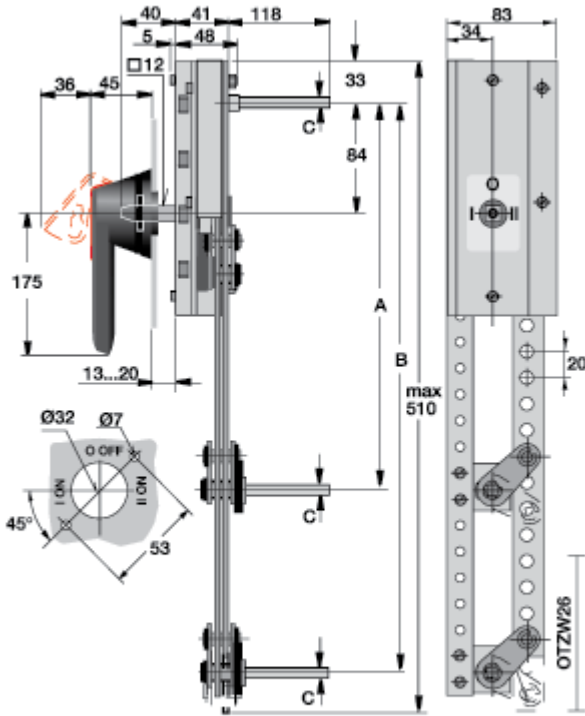
OTZW 10, 24



| Type | A | B | C | D |
|--------|-----|-----|---|----|
| OTZW10 | 206 | 190 | 6 | 30 |
| OTZW24 | 114 | 100 | 5 | 15 |

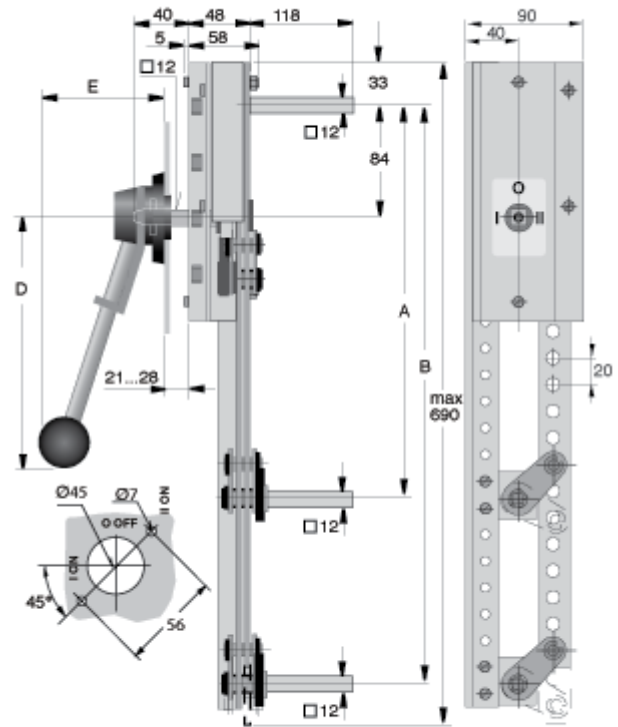
Change-over and by-pass mechanism

OETLZW 11
OTZW 25
OTZW 26



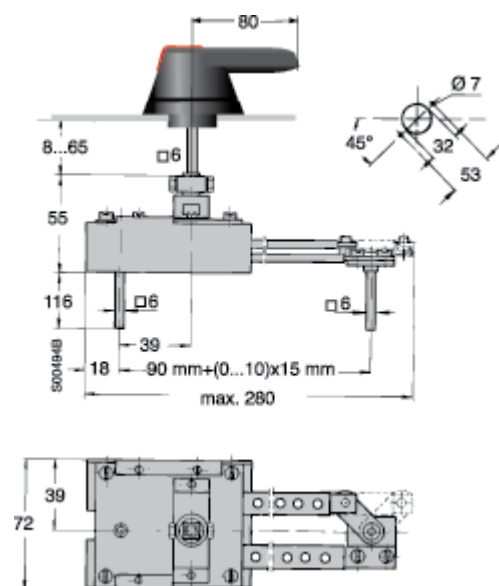
| S00116A | A | B | C |
|-----------|--------------------|-------------------|----|
| OETLZW 11 | 210+(0...11)x20 mm | - | 12 |
| OTZW 25 | 210+(0...18)x20 mm | - | 6 |
| OTZW 26 | 210+(0...9)x20 mm | 210+(0...9)x20 mm | 6 |

OETLZW 12
OETLZW 13

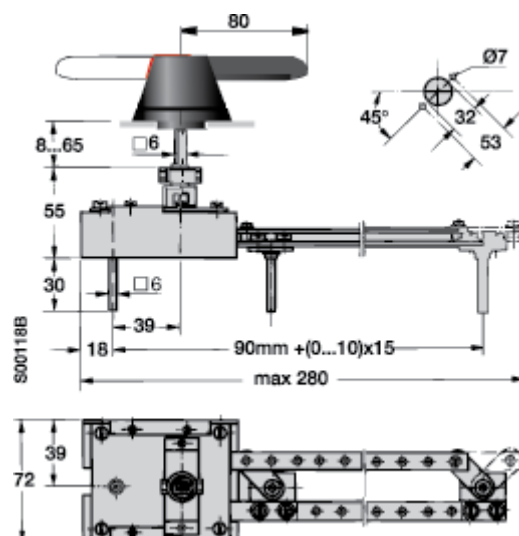


| S00117C | A | B | D | E |
|-----------|--------------------|--------------------|--------|-----|
| OETLZW 12 | 210+(0...18)x20 mm | - | 220 mm | 95 |
| OETLZW 13 | 210+(0...18)x20 mm | 250+(0...18)x20 mm | 320 mm | 138 |

OESAZW1

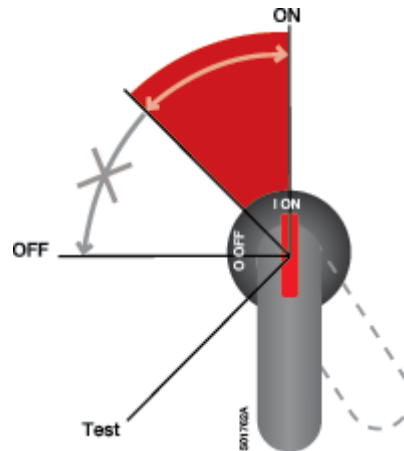


OTZW 17

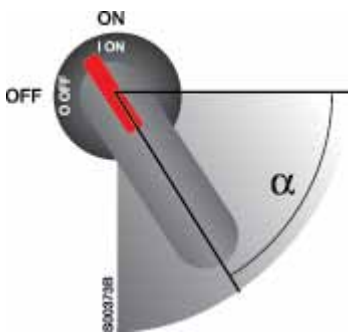


Handle indications and functions

- The handle indicates the position of the contacts with complete reliability in all situations.
If the contacts are welded together, the handle doesn't reach the OFF-position but remains between ON and OFF, maintaining the door interlock and padlocking is not possible to do.
- When operating the switch to the Test-position with a test handle the test auxiliary contacts change position. The main contacts remain open.



ON and OFF-functions of main and auxiliary contacts

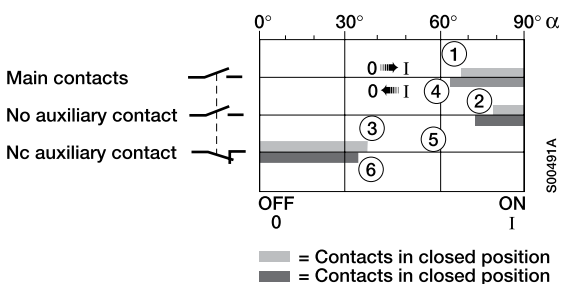


Closing

1. Main contacts close
2. NO auxiliary contacts close
3. NC auxiliary contacts open

Opening

4. Main contacts open
5. NO auxiliary contacts open
6. NC auxiliary contacts close



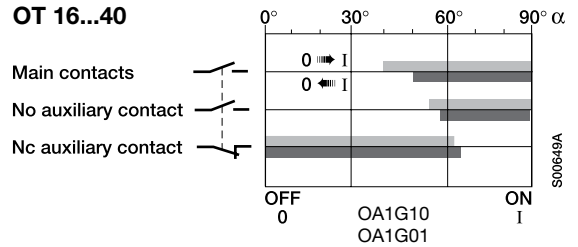


Switch-disconnectors Contact functions

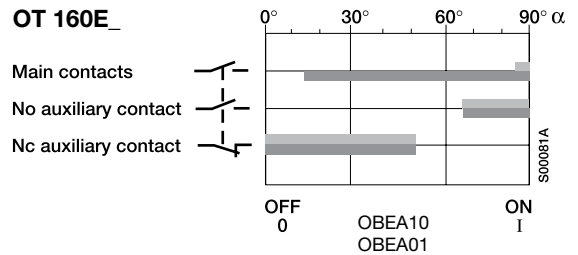
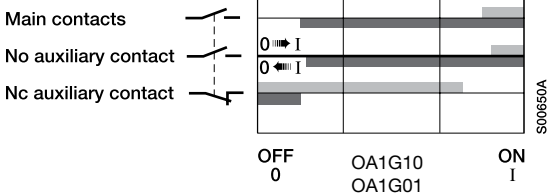
ON and OFF-functions of main and auxiliary contacts

OT 16...160

| Auxiliary contact | Contact configuration |
|-------------------|-----------------------|
| OA1G10, OA1G01 | 1NO 1NC |
| OBEA 10+, OEZNP 1 | 1NO |
| OBEA 01+, OEZNP 1 | 1NC |



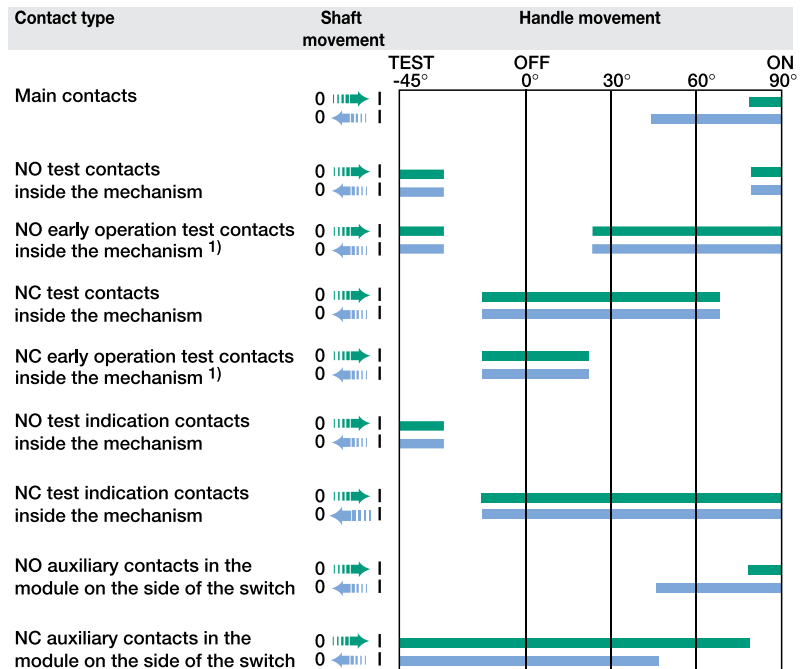
OT 63...125



ON and OFF-functions of main and auxiliary contacts

OT200...2500

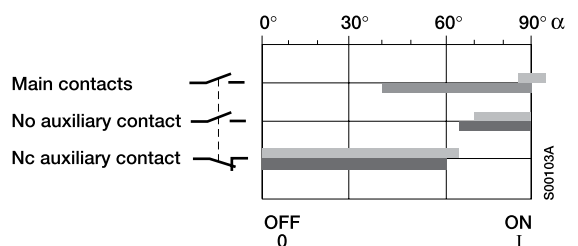
| Auxiliary contact | Contact configuration |
|-------------------|-----------------------|
| OA1G10, OA3G01 | 1NO 1NC |



¹⁾ OT1000...2500 only

OETL 3150

| Auxiliary contact | Contact configuration |
|-------------------|-----------------------|
| OZXK 1 | 1NO+1NC |
| OZXK 2 | 2NO+2NC |
| OZXK 3 | 4NO+4NC |
| OZXK 4 | 2NO |
| OZXK 5 | 4NO |
| OZXK 6 | 8NO |





Index

| Type | Order number | Page | Description | Type | Order number | Page | Description |
|----------------|-----------------|------|---|---------------|-----------------|------|--|
| OA1G01 | 1SCA022353R4890 | 32 | Auxiliary contact block | OHB45J6 | 1SCA022380R8770 | 26 | Pistol type handle |
| OA1G01AU | 1SCA022436R7830 | 32 | Auxiliary contact block | OHB65J6 | 1SCA022380R9660 | 26 | Pistol type handle |
| OA1G10 | 1SCA022353R4970 | 32 | Auxiliary contact block | OHB65J6E00S | 1SCA022382R9850 | 27 | Handle for side operated switch disconnect |
| OA1G10AU | 1SCA022436R7910 | 32 | Auxiliary contact block | OHB65J6T | 1SCA022399R8110 | 26 | Pistol type handle |
| OA2G11 | 1SCA022379R8100 | 32 | Auxiliary contact block | OHB65J6TE00S | 1SCA109016R1001 | 27 | Handle for side operated switch disconnect |
| OA3G01 | 1SCA022456R7410 | 32 | Auxiliary contact block | OHB80J6 | 1SCA022381R0240 | 26 | Pistol type handle |
| OA3G01AU | 1SCA022819R5260 | 32 | Auxiliary contact block | OHB95J12 | 1SCA022381R0830 | 26 | Pistol type handle |
| OAZX1 | 1SCA022467R5140 | 33 | Adapter for OA2G11 with OT160 | OHB95J12T | 1SCA022736R1750 | 26 | Pistol type handle |
| OBEA01 | 1SCA022190R3260 | 32 | Auxiliary contact block | OHBS1 | 1SCA109087R1001 | 24 | Handle knob |
| OBEA01AU | 1SCA022185R3730 | 32 | Auxiliary contact block | OHBS1/1 | 1SCA109088R1001 | 24 | Handle knob |
| OBEA10 | 1SCA022190R3000 | 32 | Auxiliary contact block | OHBS12 | 1SCA108252R1001 | 24 | Handle knob |
| OBEA10AU | 1SCA022185R3310 | 32 | Auxiliary contact block | OHBS1AH | 1SCA102680R1001 | 25 | Selector type handle |
| OBEAZX01 | 1SCA022276R2470 | 33 | Numbering stickers for auxiliary contact blocks OBEA_ | OHBS1AH1 | 1SCA105210R1001 | 25 | Selector type handle |
| OBEAZX10 | 1SCA022264R9910 | 33 | Numbering stickers for auxiliary contact blocks OBEA_ | OHBS1PH | 1SCA105211R1001 | 28 | Selector type handle |
| OEA28 | 1SCA022714R8810 | 33 | Module for auxiliary contacts with OT 200...2500 | OHBS1RH | 1SCA105212R1001 | 28 | Selector type handle |
| OEMO004/110VAC | 1SCA022182R0300 | 40 | Motor operator | OHBS2 | 1SCA109089R1001 | 24 | Handle knob |
| OEMO004/230VAC | 1SCA022196R9010 | 40 | Motor operator | OHBS2/1 | 1SCA109090R1001 | 24 | Handle knob |
| OESAZW1 | 1SCA022064R3710 | 38 | Change-over switch mechanism | OHBS2AJ | 1SCA105213R1001 | 25 | Selector type handle |
| OESAZW2 | 1SCA022078R1600 | 38 | 6 and 8-pole switch mechanism | OHBS2AJ1 | 1SCA105215R1001 | 25 | Selector type handle |
| OESAZX160 | 1SCA022186R3960 | 34 | Neutral link | OHBS2AJEH | 1SCA108230R1001 | 25 | Selector type handle |
| OESAZX162 | 1SCA022193R0400 | 34 | Neutral link | OHBS2PJ | 1SCA105231R1001 | 28 | Selector type handle |
| OESAZX164 | 1SCA022202R9520 | 34 | Neutral link | OHBS2RJ | 1SCA105232R1001 | 28 | Selector type handle |
| OESAZX165 | 1SCA022202R9790 | 34 | Neutral link | OHBS3 | 1SCA108320R1001 | 24 | Handle knob |
| OESAZX167 | 1SCA022190R1560 | 31 | Shaft extension socket | OHBS3/1 | 1SCA108319R1001 | 24 | Handle knob |
| OETL1250M140 | 1SCA022126R6950 | 20 | Earthing switches, base mounting | OHBS3AH | 1SCA105234R1001 | 25 | Selector type handle |
| OETL1250M3 | 1SCA022102R1410 | 20 | Earthing switches, base mounting | OHBS3AH1 | 1SCA105235R1001 | 25 | Selector type handle |
| OETL1250M4 | 1SCA022189R0930 | 20 | Earthing switches, base mounting | OHBS3PH | 1SCA105236R1001 | 28 | Selector type handle |
| OETL1250M4-140 | 1SCA022290R5680 | 20 | Earthing switches, base mounting | OHBS3RH | 1SCA105237R1001 | 28 | Selector type handle |
| OETL3150K185 | 1SCA022136R7550 | 17 | Front operated switch-disconnector | OHBS9 | 1SCA108665R1001 | 24 | Handle knob |
| OETL3150K3 | 1SCA022115R6340 | 17 | Front operated switch-disconnector | OHBS9/1 | 1SCA108689R1001 | 24 | Handle knob |
| OETL3150K3-2 | 1SCA022157R4260 | 17 | Front operated switch-disconnector | OHG125J12 | 1SCA022381R1640 | 26 | Pistol type handle |
| OETL3150K3-H20 | 1SCA022163R8090 | 17 | Front operated switch-disconnector | OHG145J12 | 1SCA022460R7490 | 26 | Pistol type handle |
| OETL3150K4 | 1SCA022115R6510 | 17 | Front operated switch-disconnector | OHG275J12 | 1SCA022381R3000 | 26 | Pistol type handle |
| OETL3150KV12 | 1SCA022290R3390 | 17 | Front operated switch-disconnector | OHG275J12E011 | 1SCA022381R3000 | 26 | Pistol type handle |
| OETL3150KV22 | 1SCA022293R8260 | 17 | Front operated switch-disconnector | OHG45J6 | 1SCA022380R8850 | 26 | Pistol type handle |
| OETL-NF1600P | 1SCA022282R0690 | 21 | Front operated, non-fusible disconnect switch | OHG65J6 | 1SCA022380R9740 | 26 | Pistol type handle |
| OETL-NF2000P | 1SCA022282R0850 | 21 | Front operated, non-fusible disconnect switch | OHG65J6E00S | 1SCA022383R4510 | 27 | Handle for side operated switch disconnect |
| OETLZK19 | 1SCA022093R1850 | 31 | Adapter for extension socket | OHG65J6TE00S | 1SCA109014R1001 | 27 | Handle for side operated switch disconnect |
| OETLZT80A110AC | 1SCA022080R9460 | 41 | Electrical interlock | OHG80J6 | 1SCA022381R0320 | 26 | Pistol type handle |
| OETLZT80A110DC | 1SCA022081R0210 | 41 | Electrical interlock | OHG95J12 | 1SCA022381R0910 | 26 | Pistol type handle |
| OETLZT80A220AC | 1SCA022079R9050 | 41 | Electrical interlock | OHGS1AH | 1SCA105261R1001 | 25 | Selector type handle |
| OETLZT80A220DC | 1SCA022080R9890 | 41 | Electrical interlock | OHGS1AH1 | 1SCA105262R1001 | 25 | Selector type handle |
| OETLZT80A240AC | 1SCA022384R3330 | 41 | Electrical interlock | OHGS1PH | 1SCA105263R1001 | 28 | Selector type handle |
| OETLZT80A240DC | 1SCA022081R1440 | 41 | Electrical interlock | OHGS1RH | 1SCA105264R1001 | 28 | Selector type handle |
| OETLZT80A48DC | 1SCA022081R1010 | 41 | Electrical interlock | OHGS2AJ | 1SCA105265R1001 | 25 | Selector type handle |
| OETLZT80A60DC | 1SCA022081R0630 | 41 | Electrical interlock | OHGS2AJ1 | 1SCA105266R1001 | 25 | Selector type handle |
| OETLZT80L110AC | 1SCA022080R9200 | 41 | Electrical interlock | OHGS2PJ | 1SCA105268R1001 | 28 | Selector type handle |
| OETLZT80L110DC | 1SCA022081R0040 | 41 | Electrical interlock | OHGS2RJ | 1SCA105269R1001 | 28 | Selector type handle |
| OETLZT80L220AC | 1SCA022079R9640 | 41 | Electrical interlock | OHGS3AH | 1SCA105270R1001 | 25 | Selector type handle |
| OETLZT80L220DC | 1SCA022080R9620 | 41 | Electrical interlock | OHGS3AH1 | 1SCA105271R1001 | 25 | Selector type handle |
| OETLZT80L230AC | 1SCA022375R0240 | 41 | Electrical interlock | OHGS3PH | 1SCA105272R1001 | 28 | Selector type handle |
| OETLZT80L240AC | 1SCA022496R0240 | 41 | Electrical interlock | OHGS3RH | 1SCA105273R1001 | 28 | Selector type handle |
| OETLZT80L24DC | 1SCA022081R1280 | 41 | Electrical interlock | OHM125L12 | 1SCA022739R1150 | 27 | Handle for direct mounting |
| OETLZT80L48DC | 1SCA022081R0800 | 41 | Electrical interlock | OHM175L12 | 1SCA104439R1001 | 27 | Handle for direct mounting |
| OETLZT80L60DC | 1SCA022081R0470 | 41 | Electrical interlock | OHM200L12P | 1SCA022739R1230 | 27 | Handle for direct mounting |
| OETLZW11 | 1SCA022078R0030 | 38 | Change-over switch mechanism | OHM275L12 | 1SCA022832R4840 | 27 | Handle for direct mounting |
| OETLZW12 | 1SCA022078R0200 | 38 | Change-over switch mechanism | OHM65L6 | 1SCA022739R1070 | 27 | Handle for direct mounting |
| OETLZW13 | 1SCA022078R0460 | 38 | By-pass switch mechanism | OHRS1 | 1SCA109095R1001 | 24 | Handle knob |
| OETLZW14 | 1SCA022077R3410 | 38 | Mechanical interlock mechanism | OHRS1/1 | 1SCA109096R1001 | 24 | Handle knob |
| OETLZW15 | 1SCA022081R9340 | 38 | Mechanical interlock mechanism | OHRS12 | 1SCA108253R1001 | 24 | Handle knob |
| OETLZW16 | 1SCA022093R2070 | 40 | Cam attachment for Castell, Lowe & Fletcher and Ronis interlock | OHRS2 | 1SCA108598R1001 | 24 | Handle knob |
| OETLZW3 | 1SCA022049R0380 | 38 | Mechanical interlock mechanism | OHRS2/1 | 1SCA108599R1001 | 24 | Handle knob |
| OETLZW5 | 1SCA022052R3900 | 40 | Cam attachment for Castell, Lowe & Fletcher and Ronis interlock | OHRS3 | 1SCA108667R1001 | 24 | Handle knob |
| OETLZW9 | 1SCA022061R3300 | 38 | 6 and 8-pole switch mechanism | OHRS3/1 | 1SCA108688R1001 | 24 | Handle knob |
| OETLZX108 | 1SCA022087R8430 | 40 | 90° angle kit | OHRS9 | 1SCA108666R1001 | 24 | Handle knob |
| OETLZX114 | 1SCA022117R7510 | 37 | Busbar connection | OHRS9/1 | 1SCA108690R1001 | 24 | Handle knob |
| OETLZX114/1 | 1SCA022126R1990 | 37 | Busbar connection | OHSS1AH | 1SCA105274R1001 | 25 | Selector type handle |
| OETLZX115 | 1SCA022117R7770 | 37 | Busbar connection | OHSS1AH1 | 1SCA105275R1001 | 25 | Selector type handle |
| OETLZX115/1 | 1SCA022126R2110 | 37 | Busbar connection | OHSS1PH | 1SCA105276R1001 | 28 | Selector type handle |
| OETLZX58 | 1SCA022068R8220 | 40 | Shaft support for long shafts | OHSS1RH | 1SCA105277R1001 | 28 | Selector type handle |
| OETLZX71 | 1SCA022068R2700 | 40 | Handle support bracket | OHSS2AJ | 1SCA105278R1001 | 25 | Selector type handle |
| OETLZX95 | 1SCA022083R5620 | 31 | Shaft extension socket | OHSS2AJ1 | 1SCA105279R1001 | 25 | Selector type handle |
| OEZNP1 | 1SCA022259R7410 | 33 | Adapter for OBEA_ with OT160E | OHSS2PJ | 1SCA105280R1001 | 28 | Selector type handle |
| OZXX13 | 1SCA022299R9720 | 37 | Busbar spreader kit | OHSS2RJ | 1SCA105281R1001 | 28 | Selector type handle |
| OZXX6 | 1SCA022292R6330 | 37 | Busbar spreader kit | OHSS3AH | 1SCA105283R1001 | 25 | Selector type handle |
| OHB125J12 | 1SCA022381R1560 | 26 | Pistol type handle | OHSS3AH1 | 1SCA105284R1001 | 25 | Selector type handle |
| OHB125J12T | 1SCA022652R2220 | 26 | Pistol type handle | OHSS3PH | 1SCA105285R1001 | 28 | Selector type handle |
| OHB13 | 1SCA022712R4620 | 24 | Handle knob | OHSS3RH | 1SCA105286R1001 | 28 | Selector type handle |
| OHB145J12 | 1SCA022381R2110 | 26 | Pistol type handle | OHY125J12 | 1SCA022381R1720 | 26 | Pistol type handle |
| OHB145J12T | 1SCA022652R2570 | 26 | Pistol type handle | OHY125J12T | 1SCA022652R2310 | 26 | Pistol type handle |
| OHB145J12E00S | 1SCA022679R9700 | 27 | Handle for side operated switch disconnect | OHY145J12 | 1SCA022381R2370 | 26 | Pistol type handle |
| OHB150J12P | 1SCA022865R9430 | 26 | Pistol type handle | OHY145J12T | 1SCA022652R2650 | 26 | Pistol type handle |
| OHB175J12T | 1SCA022708R0740 | 26 | Pistol type handle | OHY150J12P | 1SCA101586R1001 | 26 | Pistol type handle |
| OHB200J12P | 1SCA022865R9510 | 26 | Pistol type handle | OHY175J12T | 1SCA111508R1001 | 26 | Pistol type handle |
| OHB200J12PT | 1SCA106510R1001 | 26 | Pistol type handle | OHY200J12P | 1SCA101587R1001 | 26 | Pistol type handle |
| OHB275J12 | 1SCA022381R2960 | 26 | Pistol type handle | OHY200J12PT | 1SCA111512R1001 | 26 | Pistol type handle |
| OHB275J12E011 | 1SCA022460R7220 | 26 | Pistol type handle | OHY275J12 | 1SCA022381R3180 | 26 | Pistol type handle |
| | | | | OHY275J12E011 | 1SCA022460R7310 | 26 | Pistol type handle |
| | | | | OHY45J6 | 1SCA022380R8930 | 26 | Pistol type handle |
| | | | | OHY65J6 | 1SCA022380R9820 | 26 | Pistol type handle |
| | | | | OHY65J6E00S | 1SCA022382R9930 | 27 | Handle for side operated switch disconnect |



Index

| Type | Order number | Page | Description |
|--------------|-----------------|------|---|
| OHY65J6T | 1SCA022456R9540 | 26 | Pistol type handle |
| OHY65J6TE00S | 1SCA022688R0140 | 27 | Handle for side operated switch disconnecter |
| OHY80J6 | 1SCA022381R0410 | 26 | Pistol type handle |
| OHY95J12 | 1SCA022381R1050 | 26 | Pistol type handle |
| OHY95J12T | 1SCA022736R1910 | 26 | Pistol type handle |
| OHYS1AH | 1SCA105290R1001 | 25 | Selector type handle |
| OHYS1AH1 | 1SCA105291R1001 | 25 | Selector type handle |
| OHYS1PH | 1SCA105294R1001 | 28 | Selector type handle |
| OHYS1RH | 1SCA105295R1001 | 28 | Selector type handle |
| OHYS2AJ | 1SCA105296R1001 | 25 | Selector type handle |
| OHYS2AJ1 | 1SCA105297R1001 | 25 | Selector type handle |
| OHYS2PJ | 1SCA105322R1001 | 28 | Selector type handle |
| OHYS2RJ | 1SCA105323R1001 | 28 | Selector type handle |
| OHYS3AH | 1SCA105325R1001 | 25 | Selector type handle |
| OHYS3AH1 | 1SCA105326R1001 | 25 | Selector type handle |
| OHYS3PH | 1SCA105327R1001 | 28 | Selector type handle |
| OHYS3RH | 1SCA105328R1001 | 28 | Selector type handle |
| OHZX10 | 1SCA022661R3610 | 31 | Shaft alignment ring |
| OHZX11 | 1SCA022708R3170 | 31 | Shaft alignment ring |
| OHZX14 | 1SCA022851R6590 | 31 | Extension ring for pistol type handles |
| OHZX4 | 1SCA022467R2470 | 40 | Door interlock bracket |
| OHZX5 | 1SCA22467R5060 | 29 | Handle support |
| OHZX6 | 1SCA022559R5670 | 28 | Selector type handle |
| OPB2 | 1SCA022353R4110 | 29 | Legend plate |
| OPB2EN1 | 1SCA022400R2070 | 29 | Legend plate |
| OPB3 | 1SCA022679R3410 | 29 | Legend plate |
| OPB51 | 1SCA111519R1001 | 29 | Legend plate |
| OPBS1EN1 | 1SCA111520R1001 | 29 | Legend plate |
| OPG2 | 1SCA022353R4380 | 29 | Legend plate |
| OPG2EN1 | 1SCA022400R2310 | 29 | Legend plate |
| OPGS1 | 1SCA111563R1001 | 29 | Legend plate |
| OPGS1EN1 | 1SCA111526R1001 | 29 | Legend plate |
| OPS2 | 1SCA022353R4460 | 29 | Legend plate |
| OPS2EN1 | 1SCA022400R2230 | 29 | Legend plate |
| OPSS1 | 1SCA111523R1001 | 29 | Legend plate |
| OPSS1EN1 | 1SCA111525R1001 | 29 | Legend plate |
| OPX3 | 1SCA022679R3500 | 29 | Lettering plate |
| OPX3/TEXT | 1SCA022696R6370 | 29 | Lettering plate |
| OPX3DE1 | 1SCA022695R0700 | 29 | Lettering plate |
| OPX3EN1 | 1SCA022695R0610 | 29 | Lettering plate |
| OPX3F1 | 1SCA022695R0530 | 29 | Lettering plate |
| OPX3SE1 | 1SCA022695R0880 | 29 | Lettering plate |
| OPY2 | 1SCA022353R4200 | 29 | Legend plate |
| OPY2EN1 | 1SCA022400R2740 | 29 | Legend plate |
| OPY3 | 1SCA022695R0450 | 29 | Legend plate |
| OPYS1 | 1SCA111528R1001 | 29 | Legend plate |
| OPYS1EN1 | 1SCA111530R1001 | 29 | Legend plate |
| OT1000E03K | 1SCA108353R1001 | 18 | Front operated switch-disconnector with direct mounted handle |
| OT1000E03N3P | 1SCA100761R1001 | 17 | Front operated switch-disconnector |
| OT1000E03P | 1SCA022860R5930 | 17 | Front operated switch-disconnector |
| OT1000E03W4P | 1SCA022871R7310 | 19 | Front operated switch-disconnector with wide phase distance |
| OT1000E03W8P | 1SCA022871R8110 | 19 | Front operated switch-disconnector with wide phase distance |
| OT1000E04K | 1SCA108355R1001 | 18 | Front operated switch-disconnector with direct mounted handle |
| OT1000E04P | 1SCA022860R6150 | 17 | Front operated switch-disconnector |
| OT1000E04W4P | 1SCA100762R1001 | 19 | Front operated switch-disconnector with wide phase distance |
| OT1000E12P | 1SCA022871R5520 | 17 | Front operated switch-disconnector |
| OT1000E22P | 1SCA022871R5610 | 17 | Front operated switch-disconnector |
| OT100F3 | 1SCA105004R1001 | 15 | Front operated, non-fusible disconnect switch |
| OT100F3 | 1SCA105004R1001 | 21 | Front operated, non-fusible disconnect switch |
| OT100F4N2 | 1SCA105018R1001 | 15 | Front operated switch-disconnector |
| OT100F4N2 | 1SCA105018R1001 | 21 | Front operated, non-fusible disconnect switch |
| OT100F6 | 1SCA105021R1001 | 15 | Front operated, 6-pole switch-disconnector |
| OT100F8 | 1SCA105022R1001 | 15 | Front operated, 8-pole switch-disconnector |
| OT100FT3 | 1SCA105023R1001 | 19 | Front operated switch-disconnector, door mounting |
| OT100FT4N2 | 1SCA105031R1001 | 19 | Front operated switch-disconnector, door mounting |
| OT1200U03P | 1SCA022860R6910 | 21 | Front operated, non-fusible disconnect switch |
| OT1200U04P | 1SCA022860R7120 | 21 | Front operated, non-fusible disconnect switch |
| OT1200U12P | 1SCA022871R9270 | 21 | Front operated, non-fusible disconnect switch |
| OT1200U22P | 1SCA105654R1001 | 21 | Front operated, non-fusible disconnect switch |
| OT1250E03K | 1SCA108356R1001 | 18 | Front operated switch-disconnector with direct mounted handle |
| OT1250E03N3P | 1SCA022865R7060 | 17 | Front operated switch-disconnector |
| OT1250E03P | 1SCA022860R6230 | 17 | Front operated switch-disconnector |
| OT1250E03W4P | 1SCA022866R1920 | 19 | Front operated switch-disconnector with wide phase distance |
| OT1250E03W8P | 1SCA022871R8540 | 19 | Front operated switch-disconnector with wide phase distance |
| OT1250E04K | 1SCA108357R1001 | 18 | Front operated switch-disconnector with direct mounted handle |

| Type | Order number | Page | Description |
|--------------|-----------------|------|---|
| OT1250E04P | 1SCA022860R6310 | 17 | Front operated switch-disconnector |
| OT1250E04W4P | 1SCA022866R2220 | 19 | Front operated switch-disconnector with wide phase distance |
| OT1250E12P | 1SCA022871R5790 | 17 | Front operated switch-disconnector |
| OT1250E22P | 1SCA022871R5870 | 17 | Front operated switch-disconnector |
| OT125F3 | 1SCA105033R1001 | 15 | Front operated switch-disconnector |
| OT125F4N2 | 1SCA105051R1001 | 15 | Front operated switch-disconnector |
| OT125F6 | 1SCA105057R1001 | 15 | Front operated, 6-pole switch-disconnector |
| OT125F8 | 1SCA105059R1001 | 15 | Front operated, 8-pole switch-disconnector |
| OT125FT3 | 1SCA105060R1001 | 19 | Front operated switch-disconnector, door mounting |
| OT125FT4N2 | 1SCA105066R1001 | 19 | Front operated switch-disconnector, door mounting |
| OT1600E03K | 1SCA108352R1001 | 18 | Front operated switch-disconnector with direct mounted handle |
| OT1600E03N3P | 1SCA022865R6920 | 17 | Front operated switch-disconnector |
| OT1600E03P | 1SCA022860R6580 | 17 | Front operated switch-disconnector |
| OT1600E03W4P | 1SCA022865R9860 | 19 | Front operated switch-disconnector with wide phase distance |
| OT1600E03W8P | 1SCA022871R8970 | 19 | Front operated switch-disconnector with wide phase distance |
| OT1600E04K | 1SCA108358R1001 | 18 | Front operated switch-disconnector with direct mounted handle |
| OT1600E04P | 1SCA022860R6740 | 17 | Front operated switch-disconnector |
| OT1600E04W4P | 1SCA022866R1090 | 19 | Front operated switch-disconnector with wide phase distance |
| OT1600E12P | 1SCA022871R5950 | 17 | Front operated switch-disconnector |
| OT1600E22P | 1SCA022871R6090 | 17 | Front operated switch-disconnector |
| OT160E3 | 1SCA022257R5950 | 15 | Front operated switch-disconnector |
| OT160E3 | 1SCA022257R5950 | 21 | Front operated, non-fusible disconnect switch |
| OT160E3-2 | 1SCA022297R4060 | 15 | Front operated switch-disconnector |
| OT160E4 | 1SCA022259R8060 | 15 | Front operated switch-disconnector |
| OT160E4 | 1SCA022259R8060 | 21 | Front operated, non-fusible disconnect switch |
| OT160ET3 | 1SCA022350R1960 | 19 | Front operated switch-disconnector, door mounting |
| OT160ET4 | 1SCA022460R6920 | 19 | Front operated switch-disconnector, door mounting |
| OT16F3 | 1SCA104811R1001 | 15 | Front operated switch-disconnector |
| OT16F3 | 1SCA104811R1001 | 21 | Front operated, non-fusible disconnect switch |
| OT16F4N2 | 1SCA104829R1001 | 15 | Front operated switch-disconnector |
| OT16F4N2 | 1SCA104829R1001 | 21 | Front operated, non-fusible disconnect switch |
| OT16F6 | 1SCA104834R1001 | 15 | Front operated, 6-pole switch-disconnector |
| OT16F8 | 1SCA104836R1001 | 15 | Front operated, 8-pole switch-disconnector |
| OT16FT3 | 1SCA104838R1001 | 19 | Front operated switch-disconnector, door mounting |
| OT16FT3 | 1SCA104838R1001 | 21 | Front operated, non-fusible disconnect switch |
| OT16FT4N2 | 1SCA105711R1001 | 19 | Front operated switch-disconnector, door mounting |
| OT16FT4N2 | 1SCA105711R1001 | 21 | Front operated, non-fusible disconnect switch |
| OT2000E03K | 1SCA108359R1001 | 18 | Front operated switch-disconnector with direct mounted handle |
| OT2000E03N3P | 1SCA108037R1001 | 17 | Front operated switch-disconnector |
| OT2000E03P | 1SCA108036R1001 | 17 | Front operated switch-disconnector |
| OT2000E03W4P | 1SCA108042R1001 | 19 | Front operated switch-disconnector with wide phase distance |
| OT2000E03W8P | 1SCA108045R1001 | 19 | Front operated switch-disconnector with wide phase distance |
| OT2000E04K | 1SCA108362R1001 | 18 | Front operated switch-disconnector with direct mounted handle |
| OT2000E04P | 1SCA108038R1001 | 17 | Front operated switch-disconnector |
| OT2000E12P | 1SCA108039R1001 | 17 | Front operated switch-disconnector |
| OT2000E13W4P | 1SCA109284R1001 | 19 | Front operated switch-disconnector with wide phase distance |
| OT2000E13W8P | 1SCA109283R1001 | 19 | Front operated switch-disconnector with wide phase distance |
| OT2000E22P | 1SCA108041R1001 | 17 | Front operated switch-disconnector |
| OT200E03K | 1SCA022763R4820 | 18 | Front operated switch-disconnector with direct mounted handle |
| OT200E03P | 1SCA022712R0800 | 16 | Front operated switch-disconnector |
| OT200E03WP | 1SCA022744R2670 | 18 | Front operated switch-disconnector with wide phase distance |
| OT200E04K | 1SCA022763R4910 | 18 | Front operated switch-disconnector with direct mounted handle |
| OT200E04P | 1SCA022713R4930 | 16 | Front operated switch-disconnector |
| OT200E04WP | 1SCA022744R3130 | 18 | Front operated switch-disconnector with wide phase distance |
| OT200E12P | 1SCA022721R3990 | 16 | Front operated switch-disconnector |
| OT200E12WP | 1SCA022744R2910 | 18 | Front operated switch-disconnector with wide phase distance |
| OT200E22P | 1SCA022721R4020 | 16 | Front operated switch-disconnector |
| OT200E22WP | 1SCA022744R3300 | 18 | Front operated switch-disconnector with wide phase distance |
| OT200ES03 | 1SCA022860R0200 | 20 | Side operated switch-disconnector |



Index

| Type | Order number | Page | Description | Type | Order number | Page | Description |
|--------------|-----------------|------|---|-------------|-----------------|------|---|
| OT200ES03K | 1SCA022860R0620 | 20 | Side operated switch-disconnector with direct mounted handle | OT400E03K | 1SCA022763R5390 | 18 | Front operated switch-disconnector with direct mounted handle |
| OT200ES04 | 1SCA022860R0540 | 20 | Side operated switch-disconnector | OT400E03P | 1SCA022718R8780 | 16 | Front operated switch-disconnector |
| OT200ES04K | 1SCA022860R0710 | 20 | Side operated switch-disconnector with direct mounted handle | OT400E03WP | 1SCA022809R8310 | 18 | Front operated switch-disconnector with wide phase distance |
| OT200U03P | 1SCA022709R9920 | 21 | Front operated, non-fusible disconnect switch | OT400E04K | 1SCA022763R5550 | 18 | Front operated switch-disconnector with direct mounted handle |
| OT200U04P | 1SCA022710R0610 | 21 | Front operated, non-fusible disconnect switch | OT400E04P | 1SCA022719R1810 | 16 | Front operated switch-disconnector |
| OT200U12P | 1SCA022752R2010 | 21 | Front operated, non-fusible disconnect switch | OT400E04WP | 1SCA022809R8810 | 18 | Front operated switch-disconnector with wide phase distance |
| OT200U22P | 1SCA022741R8880 | 21 | Front operated, non-fusible disconnect switch | OT400E12P | 1SCA022727R5750 | 16 | Front operated switch-disconnector |
| OT2500E03K | 1SCA108361R1001 | 18 | Front operated switch-disconnector with direct mounted handle | OT400E12WP | 1SCA022809R9200 | 18 | Front operated switch-disconnector with wide phase distance |
| OT2500E03N3P | 1SCA108035R1001 | 17 | Front operated switch-disconnector | OT400E22P | 1SCA022727R5830 | 16 | Front operated switch-disconnector |
| OT2500E03P | 1SCA104972R1001 | 17 | Front operated switch-disconnector | OT400E22WP | 1SCA022810R0570 | 18 | Front operated switch-disconnector with wide phase distance |
| OT2500E03W4P | 1SCA108047R1001 | 19 | Front operated switch-disconnector with wide phase distance | OT400ES03 | 1SCA022860R1780 | 20 | Side operated switch-disconnector |
| OT2500E03W8P | 1SCA108049R1001 | 19 | Front operated switch-disconnector with wide phase distance | OT400ES03K | 1SCA022860R1860 | 20 | Side operated switch-disconnector with direct mounted handle |
| OT2500E04K | 1SCA108363R1001 | 18 | Front operated switch-disconnector with direct mounted handle | OT400ES04 | 1SCA022860R1940 | 20 | Side operated switch-disconnector |
| OT2500E04P | 1SCA105140R1001 | 17 | Front operated switch-disconnector | OT400ES04K | 1SCA022860R2080 | 20 | Side operated switch-disconnector with direct mounted handle |
| OT2500E12P | 1SCA104978R1001 | 17 | Front operated switch-disconnector | OT400U03P | 1SCA022718R9670 | 21 | Front operated, non-fusible disconnect switch |
| OT2500E13W4P | 1SCA109285R1001 | 19 | Front operated switch-disconnector with wide phase distance | OT400U04P | 1SCA022719R1900 | 21 | Front operated, non-fusible disconnect switch |
| OT2500E13W8P | 1SCA109286R1001 | 19 | Front operated switch-disconnector with wide phase distance | OT400U12P | 1SCA022754R6960 | 21 | Front operated, non-fusible disconnect switch |
| OT2500E22P | 1SCA105156R1001 | 17 | Front operated switch-disconnector | OT400U22P | 1SCA022762R7290 | 21 | Front operated, non-fusible disconnect switch |
| OT250E03K | 1SCA022763R5040 | 18 | Front operated switch-disconnector with direct mounted handle | OT40F3 | 1SCA104902R1001 | 15 | Front operated switch-disconnector |
| OT250E03P | 1SCA022710R0100 | 16 | Front operated switch-disconnector | OT40F3 | 1SCA104902R1001 | 21 | Front operated, non-fusible disconnect switch |
| OT250E03WP | 1SCA022744R3560 | 18 | Front operated switch-disconnector with wide phase distance | OT40F4N2 | 1SCA104932R1001 | 15 | Front operated switch-disconnector |
| OT250E04K | 1SCA022763R5210 | 18 | Front operated switch-disconnector with direct mounted handle | OT40F4N2 | 1SCA104932R1001 | 21 | Front operated, non-fusible disconnect switch |
| OT250E04P | 1SCA022710R0520 | 16 | Front operated switch-disconnector | OT40F6 | 1SCA104936R1001 | 15 | Front operated, 6-pole switch-disconnector |
| OT250E04WP | 1SCA022744R3810 | 18 | Front operated switch-disconnector with wide phase distance | OT40F8 | 1SCA104938R1001 | 15 | Front operated, 8-pole switch-disconnector |
| OT250E12P | 1SCA022721R4110 | 16 | Front operated switch-disconnector | OT40FT3 | 1SCA104940R1001 | 19 | Front operated switch-disconnector, door mounting |
| OT250E12WP | 1SCA022745R0000 | 18 | Front operated switch-disconnector with wide phase distance | OT40FT3 | 1SCA104940R1001 | 21 | Front operated, non-fusible disconnect switch |
| OT250E22P | 1SCA022721R4290 | 16 | Front operated switch-disconnector | OT40FT4N2 | 1SCA104956R1001 | 19 | Front operated switch-disconnector, door mounting |
| OT250E22WP | 1SCA022745R0180 | 18 | Front operated switch-disconnector with wide phase distance | OT40FT4N2 | 1SCA104956R1001 | 21 | Front operated, non-fusible disconnect switch |
| OT250ES03 | 1SCA022860R0890 | 20 | Side operated switch-disconnector | OT600U03P | 1SCA022718R9830 | 21 | Front operated, non-fusible disconnect switch |
| OT250ES03K | 1SCA022860R0970 | 20 | Side operated switch-disconnector with direct mounted handle | OT600U04P | 1SCA022719R2200 | 21 | Front operated, non-fusible disconnect switch |
| OT250ES04 | 1SCA022860R1010 | 20 | Side operated switch-disconnector | OT600U12P | 1SCA022753R7710 | 21 | Front operated, non-fusible disconnect switch |
| OT250ES04K | 1SCA022860R1190 | 20 | Side operated switch-disconnector with direct mounted handle | OT600U22P | 1SCA022753R7890 | 21 | Front operated, non-fusible disconnect switch |
| OT25F3 | 1SCA104857R1001 | 15 | Front operated switch-disconnector | OT60F3 | 1SCA105076R1001 | 21 | Front operated, non-fusible disconnect switch |
| OT25F3 | 1SCA104857R1001 | 21 | Front operated, non-fusible disconnect switch | OT60F4N2 | 1SCA108348R1001 | 21 | Front operated, non-fusible disconnect switch |
| OT25F4N2 | 1SCA104886R1001 | 15 | Front operated switch-disconnector | OT630E03K | 1SCA022779R4940 | 18 | Front operated switch-disconnector with direct mounted handle |
| OT25F4N2 | 1SCA104886R1001 | 21 | Front operated, non-fusible disconnect switch | OT630E03N3P | 1SCA022779R4860 | 16 | Front operated switch-disconnector |
| OT25F6 | 1SCA104880R1001 | 15 | Front operated, 6-pole switch-disconnector | OT630E03P | 1SCA022718R8940 | 16 | Front operated switch-disconnector |
| OT25F8 | 1SCA104882R1001 | 15 | Front operated, 8-pole switch-disconnector | OT630E04K | 1SCA022779R5080 | 18 | Front operated switch-disconnector with direct mounted handle |
| OT25FT3 | 1SCA104884R1001 | 19 | Front operated switch-disconnector, door mounting | OT630E04P | 1SCA022719R2030 | 16 | Front operated switch-disconnector |
| OT25FT3 | 1SCA104884R1001 | 21 | Front operated, non-fusible disconnect switch | OT630E12P | 1SCA022753R4790 | 16 | Front operated switch-disconnector |
| OT25FT4N2 | 1SCA104900R1001 | 19 | Front operated switch-disconnector, door mounting | OT630E22P | 1SCA022753R4870 | 16 | Front operated switch-disconnector |
| OT25FT4N2 | 1SCA104900R1001 | 21 | Front operated, non-fusible disconnect switch | OT630ES03 | 1SCA022860R2240 | 20 | Side operated switch-disconnector |
| OT30F3 | 1SCA105068R1001 | 21 | Front operated, non-fusible disconnect switch | OT630ES03K | 1SCA022860R2320 | 20 | Side operated switch-disconnector with direct mounted handle |
| OT30F4N2 | 1SCA108347R1001 | 21 | Front operated, non-fusible disconnect switch | OT630ES04 | 1SCA022860R2410 | 20 | Side operated switch-disconnector |
| OT315E03K | 1SCA022763R5630 | 18 | Front operated switch-disconnector with direct mounted handle | OT630ES04K | 1SCA022860R2590 | 20 | Side operated switch-disconnector with direct mounted handle |
| OT315E03P | 1SCA022718R8510 | 16 | Front operated switch-disconnector | OT63F3 | 1SCA105332R1001 | 15 | Front operated switch-disconnector |
| OT315E03WP | 1SCA022809R8650 | 18 | Front operated switch-disconnector with wide phase distance | OT63F3 | 1SCA105332R1001 | 21 | Front operated, non-fusible disconnect switch |
| OT315E04K | 1SCA022763R5710 | 18 | Front operated switch-disconnector with direct mounted handle | OT63F4N2 | 1SCA105365R1001 | 15 | Front operated switch-disconnector |
| OT315E04P | 1SCA022719R1730 | 16 | Front operated switch-disconnector | OT63F4N2 | 1SCA105365R1001 | 21 | Front operated, non-fusible disconnect switch |
| OT315E04WP | 1SCA022809R8900 | 18 | Front operated switch-disconnector with wide phase distance | OT63F6 | 1SCA105379R1001 | 15 | Front operated, 6-pole switch-disconnector |
| OT315E12P | 1SCA022727R4190 | 16 | Front operated switch-disconnector | OT63F8 | 1SCA105381R1001 | 15 | Front operated, 8-pole switch-disconnector |
| OT315E12WP | 1SCA022809R9380 | 18 | Front operated switch-disconnector with wide phase distance | OT63FT3 | 1SCA105382R1001 | 19 | Front operated switch-disconnector, door mounting |
| OT315E22P | 1SCA022727R4270 | 16 | Front operated switch-disconnector | OT63FT3 | 1SCA105382R1001 | 21 | Front operated, non-fusible disconnect switch |
| OT315E22WP | 1SCA022810R0900 | 18 | Front operated switch-disconnector with wide phase distance | OT63FT4N2 | 1SCA105393R1001 | 19 | Front operated switch-disconnector, door mounting |
| OT315ES03 | 1SCA022860R1270 | 20 | Side operated switch-disconnector | OT63FT4N2 | 1SCA105393R1001 | 21 | Front operated, non-fusible disconnect switch |
| OT315ES03K | 1SCA022860R1350 | 20 | Side operated switch-disconnector with direct mounted handle | OT800E03K | 1SCA022779R5160 | 18 | Front operated switch-disconnector with direct mounted handle |
| OT315ES04 | 1SCA022860R1510 | 20 | Side operated switch-disconnector | OT800E03N3P | 1SCA022779R4780 | 16 | Front operated switch-disconnector |
| OT315ES04K | 1SCA022860R1600 | 20 | Side operated switch-disconnector with direct mounted handle | | | | |



Index

| Type | Order number | Page | Description |
|--------------|-----------------|------|---|
| OT800E03P | 1SCA022718R9410 | 16 | Front operated switch-disconnector |
| OT800E04K | 1SCA022779R5240 | 18 | Front operated switch-disconnector with direct mounted handle |
| OT800E04P | 1SCA022719R2110 | 16 | Front operated switch-disconnector |
| OT800E12P | 1SCA022753R5170 | 16 | Front operated switch-disconnector |
| OT800E22P | 1SCA022753R5250 | 16 | Front operated switch-disconnector |
| OT800ES03 | 1SCA022860R2670 | 20 | Side operated switch-disconnector |
| OT800ES03K | 1SCA022860R2750 | 20 | Side operated switch-disconnector with direct mounted handle |
| OT800ES04 | 1SCA022860R2830 | 20 | Side operated switch-disconnector |
| OT800ES04K | 1SCA022860R2910 | 20 | Side operated switch-disconnector with direct mounted handle |
| OT800U03P | 1SCA105665R1001 | 21 | Front operated, non-fusible disconnect switch |
| OT800U04P | 1SCA105667R1001 | 21 | Front operated, non-fusible disconnect switch |
| OT800U12P | 1SCA106128R1001 | 21 | Front operated, non-fusible disconnect switch |
| OT800U22P | 1SCA106125R1001 | 21 | Front operated, non-fusible disconnect switch |
| OT80F3 | 1SCA105798R1001 | 15 | Front operated switch-disconnector |
| OT80F3 | 1SCA105798R1001 | 21 | Front operated, non-fusible disconnect switch |
| OT80F4N2 | 1SCA105413R1001 | 15 | Front operated switch-disconnector |
| OT80F4N2 | 1SCA105413R1001 | 21 | Front operated, non-fusible disconnect switch |
| OT80F6 | 1SCA105427R1001 | 15 | Front operated, 6-pole switch-disconnector |
| OT80F8 | 1SCA105429R1001 | 15 | Front operated, 8-pole switch-disconnector |
| OT80FT3 | 1SCA105431R1001 | 19 | Front operated switch-disconnector, door mounting |
| OT80FT3 | 1SCA105431R1001 | 21 | Front operated, non-fusible disconnect switch |
| OT80FT4N2 | 1SCA105499R1001 | 19 | Front operated switch-disconnector, door mounting |
| OT80FT4N2 | 1SCA105499R1001 | 21 | Front operated, non-fusible disconnect switch |
| OTB1600/6 | 1SCA100768R1001 | 36 | Phase separator |
| OTB800/6 | 1SCA022821R7760 | 36 | Phase separator |
| OTPD125FP | 1SCA105083R1001 | 34 | Neutral and earth terminal |
| OTPD40FP | 1SCA104994R1001 | 34 | Neutral and earth terminal |
| OTPD80FD | 1SCA105444R1001 | 34 | Neutral and earth terminal |
| OTPD80FP | 1SCA105445R1001 | 34 | Neutral and earth terminal |
| OTPE125FD | 1SCA105698R1001 | 34 | Neutral and earth terminal |
| OTPE125FP | 1SCA105128R1001 | 34 | Neutral and earth terminal |
| OTPE160EP | 1SCA022345R0010 | 34 | Neutral and earth terminal |
| OTPE40FD | 1SCA109884R1001 | 34 | Neutral and earth terminal |
| OTPE40FP | 1SCA104995R1001 | 34 | Neutral and earth terminal |
| OTPE80FD | 1SCA105446R1001 | 34 | Neutral and earth terminal |
| OTPE80FP | 1SCA105448R1001 | 34 | Neutral and earth terminal |
| OTPL125FD | 1SCA105088R1001 | 34 | Fourth pole |
| OTPL125FP | 1SCA105090R1001 | 34 | Fourth pole |
| OTPL40FD | 1SCA105716R1001 | 34 | Fourth pole |
| OTPL40FP | 1SCA105717R1001 | 34 | Fourth pole |
| OTPL80FD | 1SCA105451R1001 | 34 | Fourth pole |
| OTPL80FP | 1SCA105452R1001 | 34 | Fourth pole |
| OTPN125FD | 1SCA105092R1001 | 34 | Neutral and earth terminal |
| OTPN125FP | 1SCA105094R1001 | 34 | Neutral and earth terminal |
| OTPN160EP | 1SCA022344R9510 | 34 | Neutral and earth terminal |
| OTPN40FD | 1SCA105718R1001 | 34 | Neutral and earth terminal |
| OTPN40FP | 1SCA104997R1001 | 34 | Neutral and earth terminal |
| OTPN80FD | 1SCA105456R1001 | 34 | Neutral and earth terminal |
| OTPN80FP | 1SCA105457R1001 | 34 | Neutral and earth terminal |
| OTPS125FD | 1SCA105096R1001 | 34 | Fourth pole |
| OTPS125FP | 1SCA105099R1001 | 34 | Fourth pole |
| OTPS160EP | 1SCA022325R7360 | 34 | Fourth pole |
| OTPS40FDN1 | 1SCA104999R1001 | 34 | Fourth pole |
| OTPS40FDN2 | 1SCA104998R1001 | 34 | Fourth pole |
| OTPS40FPN1 | 1SCA105001R1001 | 34 | Fourth pole |
| OTPS40FPN2 | 1SCA105000R1001 | 34 | Fourth pole |
| OTPS80FD | 1SCA105458R1001 | 34 | Fourth pole |
| OTPS80FP | 1SCA105461R1001 | 34 | Fourth pole |
| OTS125T1 | 1SCA022379R9760 | 35 | Terminal shroud |
| OTS125T1P | 1SCA022491R9970 | 35 | Terminal shroud |
| OTS125T3 | 1SCA022379R9680 | 35 | Terminal shroud |
| OTS125T3P | 1SCA022491R9890 | 35 | Terminal shroud |
| OTS1600G1L/3 | 1SCA022871R9510 | 35 | Terminal shroud |
| OTS1600G1L/4 | 1SCA022871R9780 | 35 | Terminal shroud |
| OTS1600G1S/3 | 1SCA022871R9600 | 35 | Terminal shroud |
| OTS1600G1S/4 | 1SCA022871R9860 | 35 | Terminal shroud |
| OTS160T1 | 1SCA022691R2010 | 35 | Terminal shroud |
| OTS160T3 | 1SCA022495R4610 | 35 | Terminal shroud |
| OTS160T4 | 1SCA022495R4700 | 35 | Terminal shroud |
| OTS2500G1L/3 | 1SCA107261R1001 | 35 | Terminal shroud |
| OTS2500G1L/4 | 1SCA107262R1001 | 35 | Terminal shroud |
| OTS2500G1S/3 | 1SCA107260R1001 | 35 | Terminal shroud |
| OTS2500G1S/4 | 1SCA107271R1001 | 35 | Terminal shroud |
| OTS250G1L/3 | 1SCA022731R8150 | 35 | Terminal shroud |
| OTS250G1L/4 | 1SCA022731R8230 | 35 | Terminal shroud |
| OTS250G1S/3 | 1SCA022731R8310 | 35 | Terminal shroud |
| OTS250G1S/4 | 1SCA022731R8400 | 35 | Terminal shroud |
| OTS400G1L/3 | 1SCA022736R8840 | 35 | Terminal shroud |
| OTS400G1L/4 | 1SCA022736R9490 | 35 | Terminal shroud |
| OTS400G1S/3 | 1SCA022736R9060 | 35 | Terminal shroud |
| OTS400G1S/4 | 1SCA022736R9650 | 35 | Terminal shroud |

| Type | Order number | Page | Description |
|---------------|-----------------|------|--|
| OTS40T1 | 1SCA105314R1001 | 35 | Terminal shroud |
| OTS40T3 | 1SCA105317R1001 | 35 | Terminal shroud |
| OTS63T1 | 1SCA022353R6910 | 35 | Terminal shroud |
| OTS63T3 | 1SCA022353R6750 | 35 | Terminal shroud |
| OTS800G1L/3 | 1SCA022776R7890 | 35 | Terminal shroud |
| OTS800G1L/4 | 1SCA022776R7970 | 35 | Terminal shroud |
| OTS800G1S/3 | 1SCA022776R8190 | 35 | Terminal shroud |
| OTS800G1S/4 | 1SCA022776R8270 | 35 | Terminal shroud |
| OTV1000EK | 1SCA108370R1001 | 27 | Handle for direct mounting |
| OTV250EK | 1SCA022763R2700 | 27 | Handle for direct mounting |
| OTV400EK | 1SCA022763R2960 | 27 | Handle for direct mounting |
| OTV800EK | 1SCA022804R6340 | 27 | Handle for direct mounting |
| OTVY250EK | 1SCA022772R7910 | 27 | Handle for direct mounting |
| OTVY400EK | 1SCA022772R7830 | 27 | Handle for direct mounting |
| OTVY800EK | 1SCA022810R2780 | 27 | Handle for direct mounting |
| OTZ1250E | 1SCA103765R1001 | 34 | Fourth pole |
| OTZ1600E | 1SCA100431R1001 | 34 | Fourth pole |
| OTZ2500E | 1SCA107931R1001 | 34 | Fourth pole |
| OTZ250E | 1SCA022735R9420 | 34 | Fourth pole |
| OTZ400E | 1SCA022749R1960 | 34 | Fourth pole |
| OTZ800E | 1SCA022807R5100 | 34 | Fourth pole |
| OTZNA1-160E4 | 1SCA022271R8310 | 34 | Fourth pole |
| OTZT1A | 1SCA106522R1001 | 41 | Mechanism interlock kit & Electrical interlock |
| OTZT1L | 1SCA106527R1001 | 41 | Mechanism interlock kit & Electrical interlock |
| OTZT2A | 1SCA106523R1001 | 41 | Mechanism interlock kit & Electrical interlock |
| OTZT2L | 1SCA106529R1001 | 41 | Mechanism interlock kit & Electrical interlock |
| OTZT3A | 1SCA106525R1001 | 41 | Mechanism interlock kit & Electrical interlock |
| OTZT3L | 1SCA106530R1001 | 41 | Mechanism interlock kit & Electrical interlock |
| OTZT4A | 1SCA106526R1001 | 41 | Mechanism interlock kit & Electrical interlock |
| OTZT4L | 1SCA106531R1001 | 41 | Mechanism interlock kit & Electrical interlock |
| OTZW10 | 1SCA022431R5280 | 38 | Mechanical interlock mechanism |
| OTZW17 | 1SCA022387R1620 | 38 | By-pass switch mechanism |
| OTZW24 | 1SCA022639R5610 | 38 | Mechanical interlock mechanism |
| OTZW25 | 1SCA022778R6920 | 38 | Change-over switch mechanism |
| OTZW26 | 1SCA022778R7060 | 38 | By-pass switch mechanism |
| OTZW8 | 1SCA022421R7600 | 38 | 10 and 8-pole switch mechanism |
| OWPD6125 | 1SCA022865R5100 | 38 | 8 and 8-pole switch mechanism |
| OWPD6D40 | 1SCA022865R4800 | 38 | 6 and 8-pole switch mechanism |
| OWPD6D80 | 1SCA022865R5010 | 38 | 7 and 8-pole switch mechanism |
| OX6X105 | 1SCA111930R1001 | 30 | Shaft |
| OX6X115 | 1SCA111931R1001 | 30 | Shaft |
| OX6X130 | 1SCA111460R1001 | 30 | Shaft |
| OX6X155 | 1SCA111275R1001 | 30 | Shaft |
| OX6X200 | 1SCA111932R1001 | 30 | Shaft |
| OX6X300 | 1SCA111933R1001 | 30 | Shaft |
| OX6X60 | 1SCA111459R1001 | 30 | Shaft |
| OX6X85 | 1SCA111274R1001 | 30 | Shaft |
| OXN1250T | 1SCA104162R1001 | 34 | Neutral link |
| OXN250 | 1SCA022752R9950 | 34 | Neutral link |
| OXN400 | 1SCA022770R3060 | 34 | Neutral link |
| OXN800T | 1SCA022829R0840 | 34 | Neutral link |
| OXPI12X166 | 1SCA022325R7100 | 30 | Extended shaft |
| OXPI12X185 | 1SCA022325R6710 | 30 | Extended shaft |
| OXPI12X250 | 1SCA022325R6980 | 30 | Extended shaft |
| OXPI12X250-45 | 1SCA022293R9400 | 31 | Extended shaft |
| OXPI12X280 | 1SCA022137R5140 | 30 | Extended shaft |
| OXPI12X280-45 | 1SCA022382R0800 | 31 | Extended shaft |
| OXPI12X325 | 1SCA022042R5810 | 30 | Extended shaft |
| OXPI12X325-45 | 1SCA022304R4450 | 31 | Extended shaft |
| OXPI12X395 | 1SCA022042R5990 | 30 | Extended shaft |
| OXPI12X395-45 | 1SCA022749R0640 | 31 | Extended shaft |
| OXPI12X465 | 1SCA022042R6020 | 30 | Extended shaft |
| OXPI12X465-45 | 1SCA022423R1770 | 31 | Extended shaft |
| OXPI12X535 | 1SCA022042R6110 | 30 | Extended shaft |
| OXPI12X535-45 | 1SCA022723R2940 | 31 | Extended shaft |
| OXPP6X130 | 1SCA022057R0570 | 30 | Extended shaft |
| OXPP6X130-45 | 1SCA022355R9110 | 31 | Extended shaft |
| OXPP6X150 | 1SCA022295R5600 | 30 | Extended shaft |
| OXPP6X150-45 | 1SCA022294R4400 | 31 | Extended shaft |
| OXPP6X161 | 1SCA022067R1760 | 30 | Extended shaft |
| OXPP6X170 | 1SCA108224R1001 | 30 | Extended shaft |
| OXPP6X170-45 | 1SCA108227R1001 | 31 | Extended shaft |
| OXPP6X210 | 1SCA022295R6080 | 30 | Extended shaft |
| OXPP6X210-45 | 1SCA022294R4230 | 31 | Extended shaft |
| OXPP6X265 | 1SCA108225R1001 | 30 | Extended shaft |
| OXPP6X265-45 | 1SCA108228R1001 | 31 | Extended shaft |
| OXPP6X290 | 1SCA022042R6370 | 30 | Extended shaft |
| OXPP6X290-45 | 1SCA022304R4290 | 31 | Extended shaft |
| OXPP6X400 | 1SCA108226R1001 | 30 | Extended shaft |
| OXPP6X400-45 | 1SCA108229R1001 | 31 | Extended shaft |
| OXSS6X105 | 1SCA108043R1001 | 30 | Extended shaft |
| OXSS6X120 | 1SCA101654R1001 | 30 | Extended shaft |
| OXSS6X130 | 1SCA101655R1001 | 30 | Extended shaft |
| OXSS6X160 | 1SCA101656R1001 | 30 | Extended shaft |
| OXSS6X180 | 1SCA101659R1001 | 30 | Extended shaft |
| OXSS6X250 | 1SCA101660R1001 | 30 | Extended shaft |
| OXSS6X330 | 1SCA101661R1001 | 30 | Extended shaft |
| OXSS6X85 | 1SCA101647R1001 | 30 | Extended shaft |



Index

| Type | Order number | Page | Description |
|-----------------|-----------------|------|-------------------------------------|
| OXT20x210X | 1SCA103684R1001 | 31 | Shaft tube for OT1000...2500 |
| OZ331P67B | 1SCA111427R1001 | 25 | Round padlockable handles |
| OZ331P67RY | 1SCA111429R1001 | 25 | Round padlockable handles |
| OZ331SPB | 1SCA113097R1001 | 25 | Round padlockable handles |
| OZ331SPRY | 1SCA112983R1001 | 25 | Round padlockable handles |
| OZ371PB | 1SCA111684R1001 | 25 | Round padlockable handles |
| OZ371PRY | 1SCA111685R1001 | 25 | Round padlockable handles |
| OZG71 | 1SCA111686R1001 | 31 | Shaft alignment ring |
| OZXB1L | 1SCA022169R2030 | 36 | Terminal clamp set |
| OZXB1L/1 | 1SCA022194R0030 | 36 | Terminal clamp set |
| OZXB2 | 1SCA022119R7610 | 36 | Terminal clamp set |
| OZXB2/1 | 1SCA022194R0200 | 36 | Terminal clamp set |
| OZXB2K | 1SCA022264R0010 | 35 | Terminal shroud for terminal clamps |
| OZXB2L | 1SCA022158R7750 | 36 | Terminal clamp set |
| OZXB2L/1 | 1SCA022194R0460 | 36 | Terminal clamp set |
| OZXB3 | 1SCA022136R8100 | 36 | Terminal clamp set |
| OZXB3 | 1SCA022136R8100 | 37 | Terminal clamp set |
| OZXB3/1 | 1SCA022194R0620 | 36 | Terminal clamp set |
| OZXB3/1 | 1SCA022194R0620 | 37 | Terminal clamp set |
| OZXB3K | 1SCA022264R0440 | 35 | Terminal shroud for terminal clamps |
| OZXB4 | 1SCA022137R4760 | 36 | Terminal clamp set |
| OZXB4 | 1SCA022137R4760 | 37 | Terminal clamp set |
| OZXB4/1 | 1SCA022194R0890 | 36 | Terminal clamp set |
| OZXB4/1 | 1SCA022194R0890 | 37 | Terminal clamp set |
| OZXB4K | 1SCA022199R2850 | 35 | Terminal shroud for terminal clamps |
| OZXB5 | 1SCA022137R2470 | 36 | Terminal clamp set |
| OZXB5 | 1SCA022137R2470 | 37 | Terminal clamp set |
| OZXB5/1 | 1SCA02194R1010 | 36 | Terminal clamp set |
| OZXB5/1 | 1SCA022194R1010 | 37 | Terminal clamp set |
| OZXB5K | 1SCA022283R8040 | 35 | Terminal shroud for terminal clamps |
| OZXB6 | 1SCA022137R4920 | 36 | Terminal clamp set |
| OZXB6 | 1SCA022137R4920 | 37 | Terminal clamp set |
| OZXB6/1 | 1SCA022194R1270 | 36 | Terminal clamp set |
| OZXB6/1 | 1SCA022194R1270 | 37 | Terminal clamp set |
| OZXB7 | 1SCA022185R0040 | 36 | Terminal clamp set |
| OZXB7/1 | 1SCA022194R1430 | 36 | Terminal clamp set |
| OZXB7L | 1SCA022185R7130 | 36 | Terminal clamp set |
| OZXB7L | 1SCA022185R7130 | 37 | Terminal clamp set |
| OZXB7L/1 | 1SCA022194R1600 | 36 | Terminal clamp set |
| OZXB7L/1 | 1SCA022194R1600 | 37 | Terminal clamp set |
| OZXB8 | 1SCA022744R1510 | 36 | Terminal clamp set |
| OZXB8/1 | 1SCA022744R1600 | 36 | Terminal clamp set |
| OZXB9 | 1SCA022750R3210 | 36 | Terminal clamp set |
| OZXB9/1 | 1SCA022750R3300 | 36 | Terminal clamp set |
| OZXE21 | 1SCA022161R8810 | 37 | Busbars for parallel connection |
| OZXK1 | 1SCA022131R8690 | 33 | Auxiliary contact block |
| OZXK2 | 1SCA022131R8850 | 33 | Auxiliary contact block |
| OZXK3 | 1SCA022131R9070 | 33 | Auxiliary contact block |
| OZXK4 | 1SCA022131R9230 | 33 | Auxiliary contact block |
| OZXK5 | 1SCA022131R9400 | 33 | Auxiliary contact block |
| OZXK6 | 1SCA022131R9660 | 33 | Auxiliary contact block |
| OZXL1 | 1SCA022439R6770 | 36 | Terminal clamp |
| OZXL1/1 | 1SCA022469R6220 | 36 | Terminal clamp |
| OZXP240 | 1SCA115542R1001 | 37 | Terminal clamp set |
| OZXP2X240 | 1SCA115544R1001 | 37 | Terminal clamp set |
| OZXP95 | 1SCA115539R1001 | 37 | Terminal clamp set |
| OZXR185 | 1SCA115531R1001 | 37 | Terminal clamp set |
| OZXR240 | 1SCA115532R1001 | 37 | Terminal clamp set |
| OZXR2X185 | 1SCA115534R1001 | 37 | Terminal clamp set |
| OZXR2X300 | 1SCA115535R1001 | 37 | Terminal clamp set |
| OZXR300 | 1SCA115533R1001 | 37 | Terminal clamp set |
| OZXR95 | 1SCA115530R1001 | 37 | Terminal clamp set |
| OZXT1 | 1SCA022469R6310 | 36 | Terminal clamp |
| OZXT2 | 1SCA022620R7200 | 36 | Terminal clamp |
| OZXT3 | 1SCA022639R0720 | 36 | Terminal clamp |
| PB100 low | 1SDA054970R1 | 36 | Phase separator |
| PB100 low | 1SDA054971R1 | 36 | Phase separator |
| PB200 high | 1SDA054972R1 | 36 | Phase separator |
| PB200 high | 1SDA054973R1 | 36 | Phase separator |
| PDAL2/110AC50Hz | 1SCA106543R1001 | 41 | Coil |
| PDAL2/110AC60Hz | 1SCA107100R1001 | 41 | Coil |
| PDAL2/110DC | 1SCA107105R1001 | 41 | Coil |
| PDAL2/120AC60Hz | 1SCA111353R1001 | 41 | Coil |
| PDAL2/125DC | 1SCA111338R1001 | 41 | Coil |
| PDAL2/208AC60Hz | 1SCA107101R1001 | 41 | Coil |
| PDAL2/220DC | 1SCA112503R1001 | 41 | Coil |
| PDAL2/230AC50Hz | 1SCA107102R1001 | 41 | Coil |
| PDAL2/240AC60Hz | 1SCA111356R1001 | 41 | Coil |
| PDAL2/24AC60Hz | 1SCA111350R1001 | 41 | Coil |
| PDAL2/24DC | 1SCA106542R1001 | 41 | Coil |
| PDAL2/48DC | 1SCA107103R1001 | 41 | Coil |
| PDAL2/60DC | 1SCA107104R1001 | 41 | Coil |
| SA1 | 1SCA022401R8230 | 40 | Padlocking adapter |
| ST | 1SCA022407R8210 | 29 | Labelling accessory |
| ST-E | 1SCA022407R8300 | 29 | Labelling accessory |
| YASDA21 | 1SCA022098R9420 | 27 | Handle for direct mounting |
| YASDA35 | 1SCA104400R1001 | 27 | Handle for direct mounting |
| YASDA6 | 1SCA022071R2890 | 27 | Handle for direct mounting |
| YASDA7 | 1SCA022071R3010 | 27 | Handle for direct mounting |
| YASDA8 | 1SCA022071R3270 | 27 | Handle for direct mounting |
| YAST1 | 1SCA022301R5350 | 24 | Handle knob |

Contact us

ABB Oy

Low Voltage Switches

P.O. Box 622

FI-65101 Vaasa, Finland

Phone: +358 10 22 11

Fax: +358 10 22 45708

E-Mail: firstname.surname@fi.abb.com

www.abb.com

The technical data and dimensions are valid at the time of printing. We reserve the right to subsequent alterations.



X-ON Electronics

Largest Supplier of Electrical and Electronic Components

Click to view similar products for [Switch Accessories](#) category:

Click to view products by [ABB](#) manufacturer:

Other Similar products are found below :

[896809000](#) [01500](#) [01010](#) [01501](#) [7101MD9V30B](#) [7103KZBE](#) [7103P3YAVGE](#) [7209MD9ABE](#) [7209SY9AQE](#) [7209SYCBE](#) [7303KZQE](#)
[F1302](#) [F1403](#) [760201000](#) [764300000](#) [785105000](#) [785106000](#) [789009000](#) [7T0062](#) [7T0073](#) [MJ1216](#) [MJ33](#) [MJ612](#) [849PT01A](#)
[91321314655637182-1-MEV](#) [A0107X](#) [A0141A](#) [A0141E](#) [A0142M2SP](#) [A0142N5](#) [A0143G](#) [A0143H](#) [A0161G](#) [A0162A](#) [A0162F](#) [A019307](#)
[A01RTC8](#) [A0214X](#) [A0215X](#) [A02504](#) [A02512](#) [A0261A](#) [A0263D](#) [A029303](#) [A02MXB](#) [A168P1](#) [A274](#) [A3A-7310](#) [A3PA571124E](#) [A466](#)