

LOC	HB
DIST	

P	LTR	DESCRIPTION	ECO	DATE	DWN	APVD
B		CHANGE TE LOGO&DATE CODE	ECO-08-007851	24-JUL-08	YS.H	BHY
A1		ADD PN AND MODIFY VENT HOLE	ECO-07-025378	24-OCT-07	FS.H	BHY

NOTE ① 1.LOT NO.SYSTEM AS FOLLOWING:

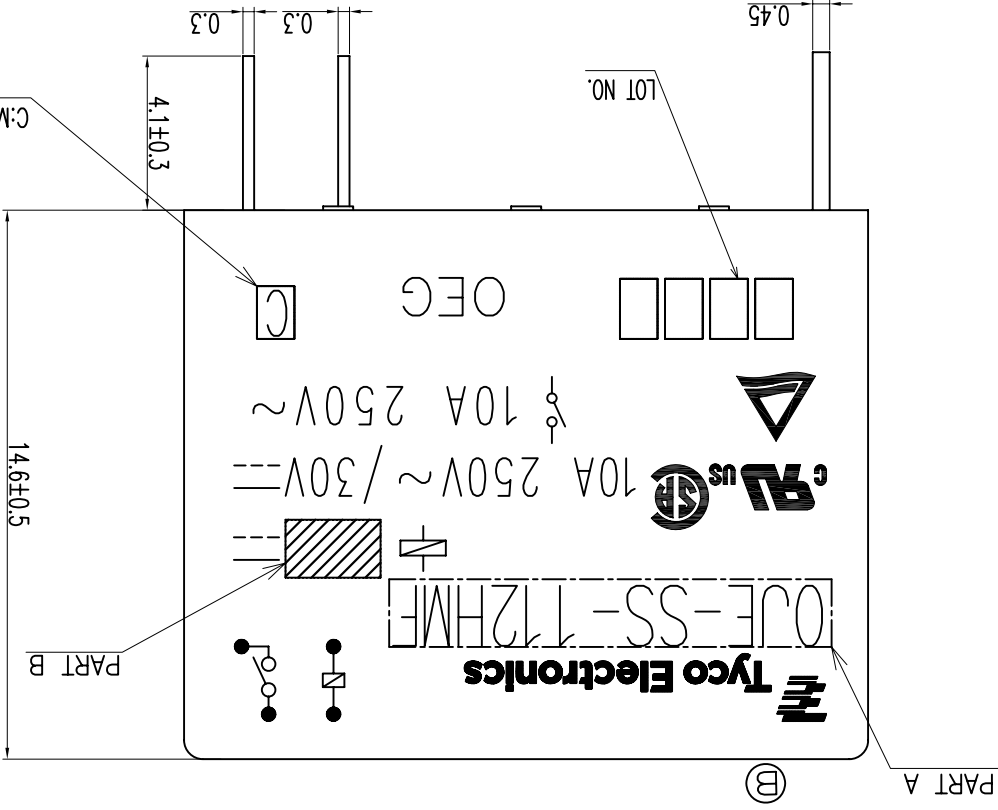
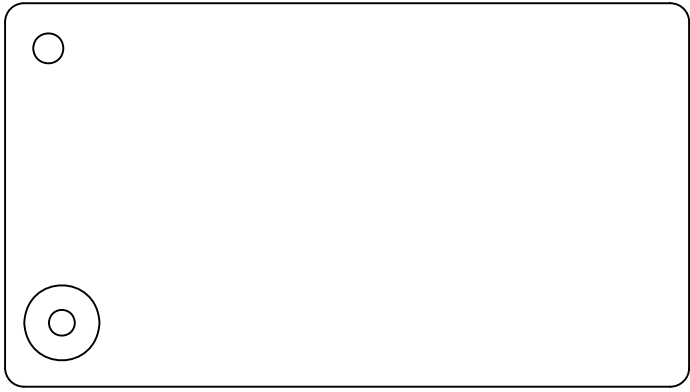
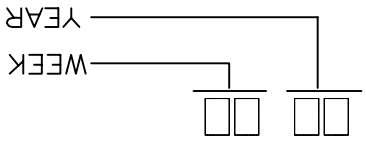


Diagram dimension	Tolerance
0.99mm max.	±0.1mm
1 - 2.99mm	±0.2mm
3mm min.	±0.3mm

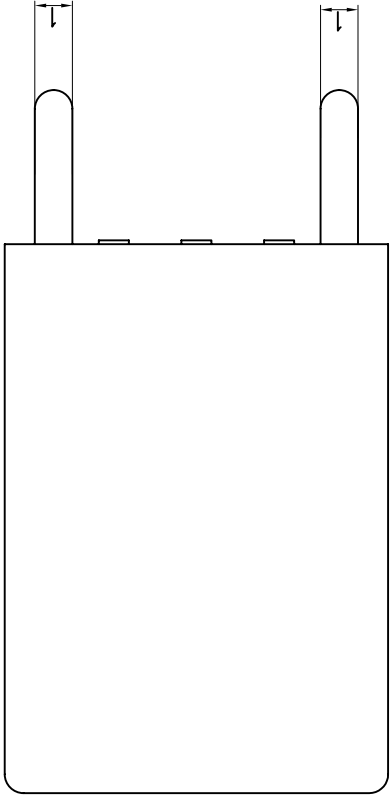
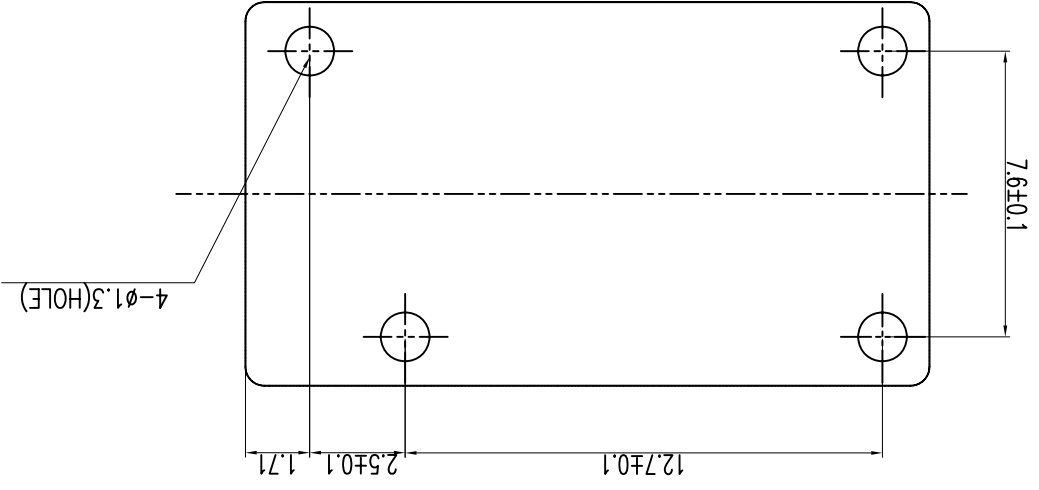
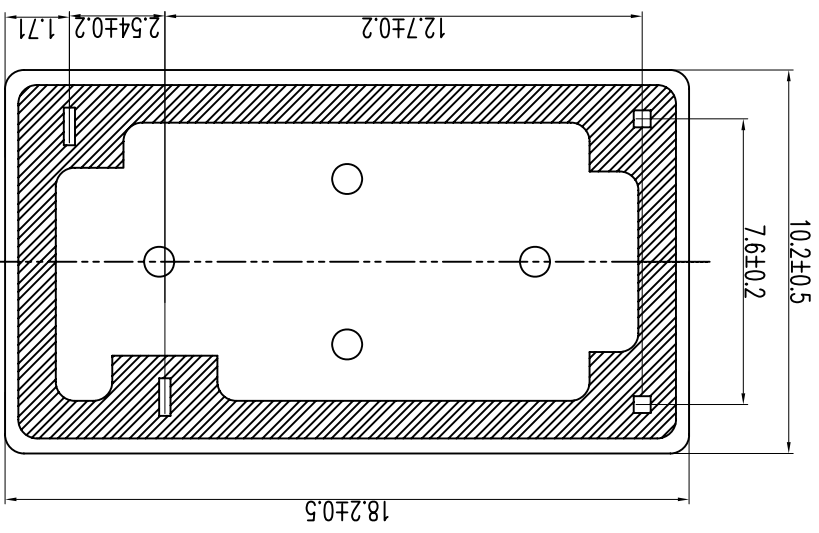
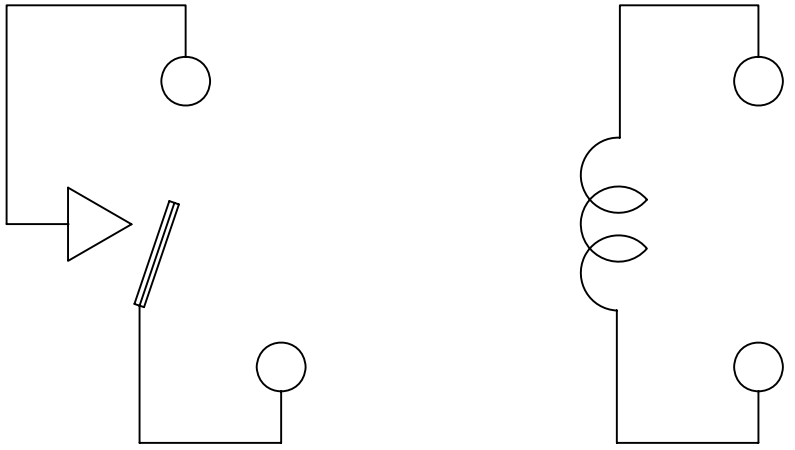


FIGURE FOR PRINTED CIRCUIT BOARD PROCESSING (BOTTOM VIEW)



CONNECTION FIGURE

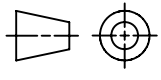


THIS DRAWING IS A CONTROLLED DOCUMENT FOR TYCO ELECTRONICS CORPORATION. IT IS SUBJECT TO CHANGE AND THE CONTROLLING ENGINEERING ORGANIZATION SHOULD BE CONTACTED FOR THE LATEST REVISION.

TOLERANCES UNLESS OTHERWISE SPECIFIED:

0 PLC ±
1 PLC ±
2 PLC ±
3 PLC ±
4 PLC ±

DIMENSIONS: mm



MATERIAL: SEE MATERIAL TABLE

FINISH

OTHERWISE SPECIFIED:

DWN

Fu Bo

CHK

Xiaoning,Zhang

APVD

CH,HSU

PRODUCT SPEC

APPLICATION SPEC

WEIGHT

SIZE

GAGE CODE

00779

DRAWING NO

1721923

RESTRICT TO

REV B

CUSTOMER DRAWING

SCALE 5:1

SHEET 1 OF 2

REV B

THIS DRAWING IS UNPUBLISHED. RELEASED FOR PUBLICATION

© COPYRIGHT BY TYCO ELECTRONICS CORPORATION. ALL RIGHTS RESERVED.

LOC HB DIST

P	LTR	DESCRIPTION	ECN	DATE	DWN	APVD

REVISIONS

1

TE PART NO	TE TYPE NAME	PART B	PART A	ITEM
1721923-3	OJE-SS-148HMF	48V	OJE-SS-148HMF	f
6-1419128-6	OJE-SS-124HMF	24V	OJE-SS-124HMF	e
4-1419128-4	OJE-SS-112HMF	12V	OJE-SS-112HMF	d
3-1419128-6	OJE-SS-109HMF	9V	OJE-SS-109HMF	c
1721923-2	OJE-SS-106HMF	6V	OJE-SS-106HMF	b
1721923-1	OJE-SS-105HMF	5V	OJE-SS-105HMF	a

(A1)

ITEM	DESCRIPTION	MATERIAL	TREATMENT	INCOMBUSTIBILITY
15	SEAL (BASE & BOBBIN)		EPOXY RESIN	
14	MAGNETIC WIRE	MM79		
13	CASE	P.B.T		94Y-0
12	BASE	P.B.T		94Y-0
11	BOBBIN	NYRON		94YHB
10	COIL TERMINAL	C.P WIRE	SOLDER DIP	
9	CARD	P.P.S		94Y-0
8	MOVABLE CONTACT	Ag ALLOY		
7	NO.CONTACT	Ag		
6	HINGE SPRING	STEEL		
5	NO.TERMINAL	CU ALLOY	SOLDER DIP	
4	MOVABLE SPRING	CU ALLOY	SOLDER DIP	
3	CORE	STEEL	NIP	
2	ARMATURE	STEEL	NIP	
1	YOKE	STEEL	NIP	

THIS DRAWING IS A CONTROLLED DOCUMENT FOR TYCO ELECTRONICS CORPORATION. IT IS SUBJECT TO CHANGE AND THE CONTROLLING ENGINEERING ORGANIZATION SHOULD BE CONTACTED FOR THE LATEST REVISION.

DWN Fu Bo
CHK Xiaoning,Zhang
APVD CH,HSU

PRODUCT SPEC
APPLICATION SPEC
WEIGHT

FINISH
0 PLC ±
1 PLC ±
2 PLC ±
3 PLC ±
4 PLC ±

MATERIAL SEE MATERIAL TABLE

DIMENSIONS: mm

0 PLC ±
1 PLC ±
2 PLC ±
3 PLC ±
4 PLC ±

SIZE A3
GAGE CODE 00779
DRAWING NO 1721923

SCALE 5:1
SHEET 2 OF 2
REV B

CUSTOMER DRAWING

A

B

C

D

A

B

C

D

8

7

6

5

4

3

2

1

X-ON Electronics

Largest Supplier of Electrical and Electronic Components

Click to view similar products for [General Purpose Relays](#) category:

Click to view products by [TE Connectivity](#) manufacturer:

Other Similar products are found below :

[APF30318](#) [JVN1AF-4.5V-F](#) [PCN-105D3MHZ](#) [5JO-10000S-SIL](#) [5JO-1000CD-SIL](#) [5JO-400CD-SIL](#) [LY2S-AC220/240](#) [LYQ20DC12](#)
[6031007G](#) [6131406HQ](#) [6-1393099-3](#) [6-1393099-8](#) [6-1393122-4](#) [6-1393123-2](#) [6-1393767-1](#) [6-1393843-7](#) [6-1415012-1](#) [6-1419102-2](#) [6-](#)
[1423698-4](#) [6-1608051-6](#) [6-1608067-0](#) [6-1616170-6](#) [6-1616248-2](#) [6-1616282-3](#) [6-1616348-2](#) [6-1616350-1](#) [6-1616350-8](#) [6-1616358-7](#) [6-](#)
[1616359-9](#) [6-1616360-9](#) [6-1616931-6](#) [6-1617039-1](#) [6-1617052-1](#) [6-1617090-2](#) [6-1617090-5](#) [6-1617347-5](#) [6-1617353-3](#) [6-1617801-8](#) [6-](#)
[1617802-2](#) [6-1618107-9](#) [6-1618248-4](#) [M83536/1-027M](#) [CX-4014](#) [MAHC-5494](#) [MAVCD-5419-6](#) [703XCX-120A](#) [7-1393100-5](#) [7-1393111-7](#)
[7-1393144-5](#) [7-1393767-8](#)