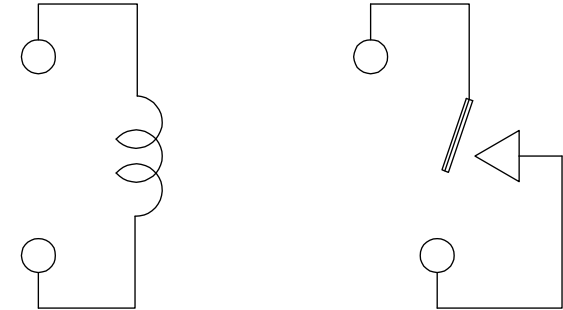
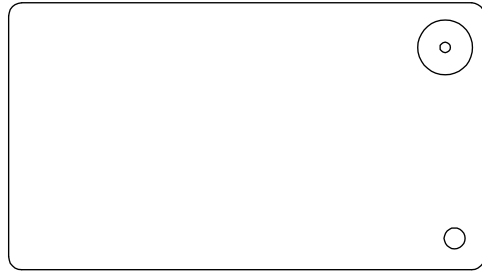


THIS DRAWING IS UNPUBLISHED. RELEASED FOR PUBLICATION
 © COPYRIGHT - By - TE CONNECTIVITY ALL RIGHTS RESERVED.

| LOC | DIST | REVISIONS | | | | | |
|-----|------|-----------|-----|---|-----------|------|------|
| | | P | LTR | DESCRIPTION | DATE | DWN | APVD |
| HB | - | | D2 | CHANGE LOGO&ADD LINE IDENTIFICATION ECO-12-001771 | 22Aug2012 | YS.H | BH.Y |



CONNECTION FIGURE

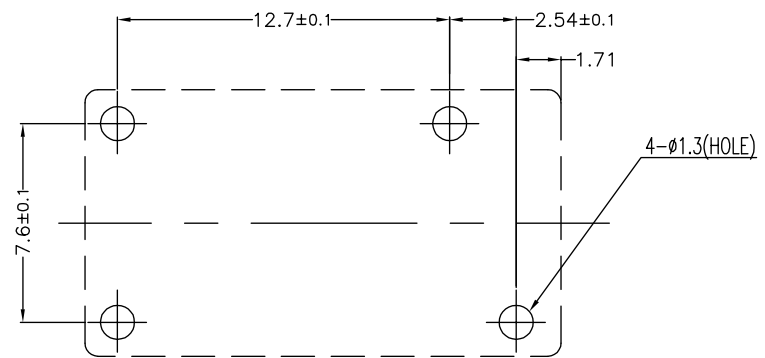
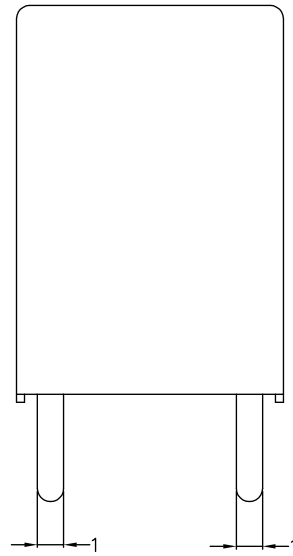
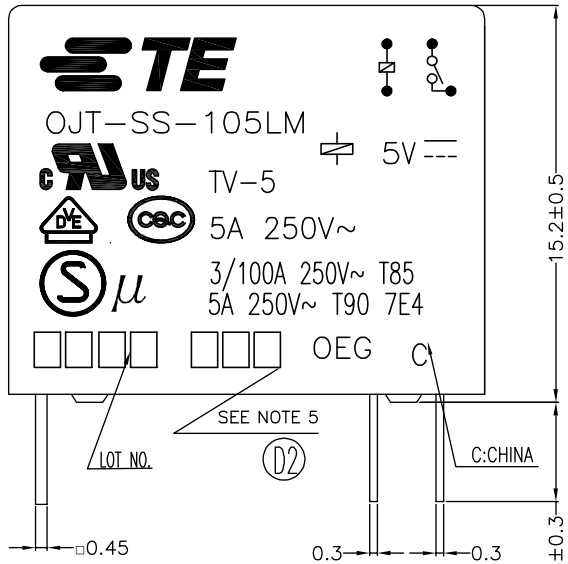
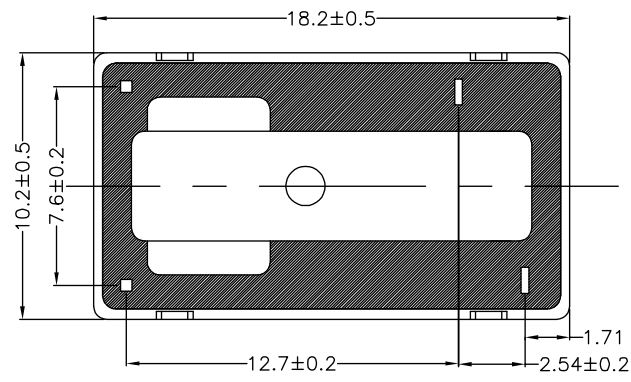


FIGURE FOR PRINTED CIRCUIT BOARD PROCESSING (BOTTOM VIEW)

| Diagram dimension | Tolerance |
|-------------------|-----------|
| 0.99mm max. | ±0.1mm |
| 1 - 2.99mm | ±0.2mm |
| 3mm min. | ±0.3mm |



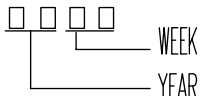
| | | | | | |
|--|--------|------------------|-----------|-----------|-----------------------------------|
| THIS DRAWING IS A CONTROLLED DOCUMENT. | | DWN | Fu.Bo | - | TE TE Connectivity |
| DIMENSIONS: mm | | CHK | Zhang,XN | - | |
| TOLERANCES UNLESS OTHERWISE SPECIFIED: | | APVD | Yang.Wen | - | NAME |
| 0 PLC | ± - | PRODUCT SPEC | - | - | OJT-SS-1**LM.000 CUSTOMER DRAWING |
| 1 PLC | ± - | APPLICATION SPEC | - | - | RESTRICTED TO |
| 2 PLC | ± - | WEIGHT | - | - | - |
| 3 PLC | ± - | SIZE | A3 | CAGE CODE | 00779 |
| 4 PLC | ± - | DRAWING NO | 1461492 | | REV |
| ANGLES | ± - | CUSTOMER DRAWING | SCALE 5:1 | | SHEET 1 of 2 |
| MATERIAL | FINISH | CUSTOMER DRAWING | | REV D2 | |

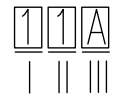
THIS DRAWING IS UNPUBLISHED. RELEASED FOR PUBLICATION
 © COPYRIGHT - By - TE CONNECTIVITY ALL RIGHTS RESERVED.

| LOC | DIST | REVISIONS | | | |
|-----|------|-------------|------|-----|------|
| P | LTR | DESCRIPTION | DATE | DWN | APVD |
| HB | - | SEE SHEET 1 | - | - | - |

| | | | | | |
|--------------|-----------|------------------|--------|--------------|------|
| 107-79010 | 1461492-7 | QJT-SS-124LM,000 | 24V | QJT-SS-124LM | g |
| 107-79010 | 1461492-6 | QJT-SS-118LM,000 | 18V | QJT-SS-118LM | f |
| 107-79010 | 1461492-5 | QJT-SS-112LM,000 | 12V | QJT-SS-112LM | e |
| 107-79010 | 1461492-4 | QJT-SS-109LM,000 | 9V | QJT-SS-109LM | d |
| 107-79010 | 1461492-3 | QJT-SS-106LM,000 | 6V | QJT-SS-106LM | c |
| 107-79010 | 1461492-2 | QJT-SS-105LM,000 | 5V | QJT-SS-105LM | b |
| 107-79010 | 1461492-1 | QJT-SS-103LM,000 | 3V | QJT-SS-103LM | a |
| PARKING SPEC | PART NO | EC TYPE NAME | PART B | PART A | TYPE |

RELAY TYPE


NOTES:
 (B) 1. LOT NO. SYSTEM AS FOLLOWING:


(D2) 5. ADD LOT NO. SYSTEM AS FOLLOWING:

 I, DIGITS FOR DAY OF THE WEEK
 1...MONDAY IN THIS WEEK;
 2...TUESDAY IN THIS WEEK;

 7...SUNDAY IN THIS WEEK
 II, DIGITS FOR SHIFT OF THE DAY
 1...DAY SHIFT IN THIS DAY;
 2...NIGHT SHIFT IN THIS DAY;
 III, ONE CHARACTER DISTINGUISH THE LINE
 IDENTITY, SUCH AS: A,B.....Z

(D2) 2. TERMINAL DIMENSION IS BEFORE SOLDER DIP;
 (D2) 3. FOR THE TIN-PLATING OF THE PINS:
 +0.1mm FOR WIDTH, THICKNESS AND DIAMETER.
 +0.5mm FOR LENGTH.
 (D2) 4. MARKING FROM INK TO LASER.

| | | | | |
|------------------|--------------|-------------|----------------------|------|
| | | EPOXY RESIN | SEAL (BASE & BOBBIN) | 15 |
| | | JUEW | MAGNETIC WIRE | 14 |
| 94V-0 | | P.B.T | CASE | 13 |
| 94V-0 | | P.B.T | BASE | 12 |
| 94V-0 | | P.B.T | BOBBIN | 11 |
| | SOLDER DIP | C.P WIRE | COIL TERMINAL | 10 |
| 94V-0 | | P.B.T | CARD | 9 |
| | | Ag ALLOY | MOVABLE CONTACT | 8 |
| | | Ag ALLOY | NO.CONTACT | 7 |
| | | STEEL | HINGE SPRING | 6 |
| | SOLDER DIP | PBP | NO.TERMINAL | 5 |
| | SOLDER DIP | Cu ALLOY | MOVABLE SPRING | 4 |
| | Cu-Ni PLATED | STEEL | CORE | 3 |
| | Cu-Ni PLATED | STEEL | ARMATURE | 2 |
| | Cu-Ni PLATED | STEEL | YOKE | 1 |
| INCOMBUSTIBILITY | TREATMENT | MATERIAL | DESCRIPTION | ITEM |

| | | | | | | | | | | | | | | | | |
|--|--------|------------------|-----------------------------------|-----------|---|---------------|-------|-----|-------|-----|-------|-----|--------|-----|--------------|------|
| THIS DRAWING IS A CONTROLLED DOCUMENT. | | DWN | Fu.Bo | |  TE Connectivity | | | | | | | | | | | |
| DIMENSIONS: mm | | CHK | Zhang,XN | | | | | | | | | | | | | |
| TOLERANCES UNLESS OTHERWISE SPECIFIED: | | APVD | Yang.Wen | | | | | | | | | | | | | |
| <table border="0"> <tr><td>0 PLC</td><td>± -</td></tr> <tr><td>1 PLC</td><td>± -</td></tr> <tr><td>2 PLC</td><td>± -</td></tr> <tr><td>3 PLC</td><td>± -</td></tr> <tr><td>4 PLC</td><td>± -</td></tr> <tr><td>ANGLES</td><td>± -</td></tr> </table> | | 0 PLC | ± - | 1 PLC | | ± - | 2 PLC | ± - | 3 PLC | ± - | 4 PLC | ± - | ANGLES | ± - | PRODUCT SPEC | NAME |
| 0 PLC | ± - | | | | | | | | | | | | | | | |
| 1 PLC | ± - | | | | | | | | | | | | | | | |
| 2 PLC | ± - | | | | | | | | | | | | | | | |
| 3 PLC | ± - | | | | | | | | | | | | | | | |
| 4 PLC | ± - | | | | | | | | | | | | | | | |
| ANGLES | ± - | | | | | | | | | | | | | | | |
| MATERIAL | FINISH | APPLICATION SPEC | OJT-SS-1**LM.000 CUSTOMER DRAWING | | | | | | | | | | | | | |
| | | WEIGHT | SIZE | CAGE CODE | DRAWING NO | RESTRICTED TO | | | | | | | | | | |
| | | | A3 | 00779 | C= 1461492 | | | | | | | | | | | |
| CUSTOMER DRAWING | | | SCALE | SHEET | REV | | | | | | | | | | | |
| | | | 5:1 | 2 of 2 | D2 | | | | | | | | | | | |

X-ON Electronics

Largest Supplier of Electrical and Electronic Components

Click to view similar products for [General Purpose Relays](#) category:

Click to view products by [TE Connectivity](#) manufacturer:

Other Similar products are found below :

[APF30318](#) [JVN1AF-4.5V-F](#) [PCN-105D3MHZ](#) [5JO-10000S-SIL](#) [5JO-1000CD-SIL](#) [5JO-400CD-SIL](#) [LY2S-AC220/240](#) [LYQ20DC12](#)
[6031007G](#) [6131406HQ](#) [6-1393099-3](#) [6-1393099-8](#) [6-1393122-4](#) [6-1393123-2](#) [6-1393767-1](#) [6-1393843-7](#) [6-1415012-1](#) [6-1419102-2](#) [6-](#)
[1423698-4](#) [6-1608051-6](#) [6-1608067-0](#) [6-1616170-6](#) [6-1616248-2](#) [6-1616282-3](#) [6-1616348-2](#) [6-1616350-1](#) [6-1616350-8](#) [6-1616358-7](#) [6-](#)
[1616359-9](#) [6-1616360-9](#) [6-1616931-6](#) [6-1617039-1](#) [6-1617052-1](#) [6-1617090-2](#) [6-1617090-5](#) [6-1617347-5](#) [6-1617353-3](#) [6-1617801-8](#) [6-](#)
[1617802-2](#) [6-1618107-9](#) [6-1618248-4](#) [M83536/1-027M](#) [CX-4014](#) [MAHC-5494](#) [MAVCD-5419-6](#) [703XCX-120A](#) [7-1393100-5](#) [7-1393111-7](#)
[7-1393144-5](#) [7-1393767-8](#)