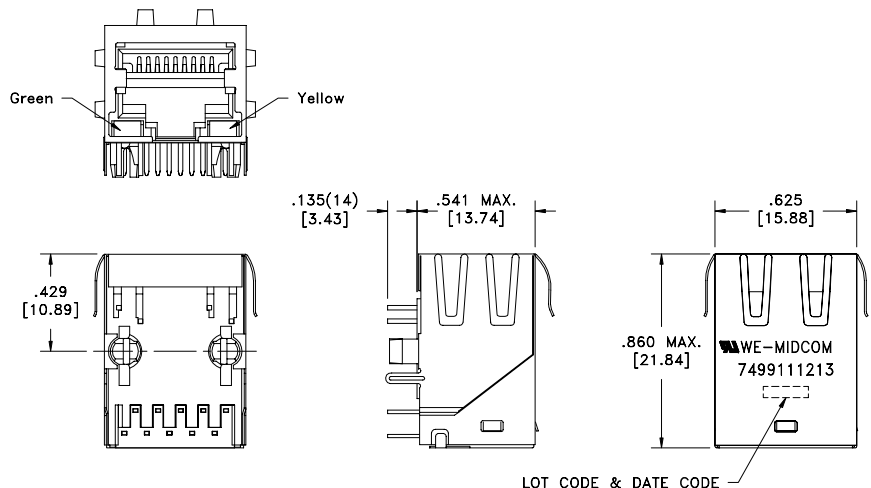


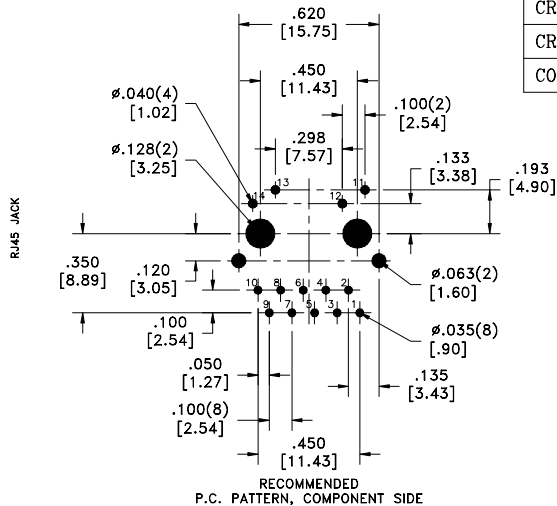
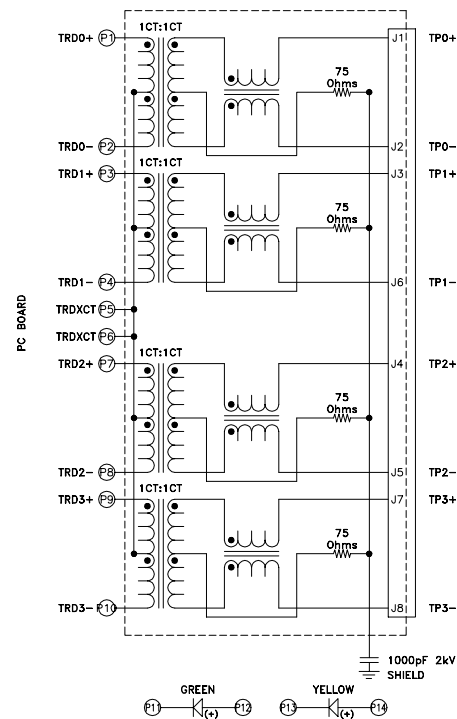
|                   |      |               |
|-------------------|------|---------------|
| CUSTOMER TERMINAL | RoHS | LEAD(Pb)-FREE |
| Sn100%            | Yes  | Yes           |



ELECTRICAL SPECIFICATIONS @ 25°C unless otherwise noted:



| PARAMETER             | TEST CONDITIONS                  | VALUE                |
|-----------------------|----------------------------------|----------------------|
| INDUCTANCE            | J1-J2 100kHz, 100mVAC, 8mADC, Lp | 350uH min.           |
| INDUCTANCE            | J3-J6 100kHz, 100mVAC, 8mADC, Lp | 350uH min.           |
| INDUCTANCE            | J4-J5 100kHz, 100mVAC, 8mADC, Lp | 350uH min.           |
| INDUCTANCE            | J7-J8 100kHz, 100mVAC, 8mADC, Lp | 350uH min.           |
| DIELECTRIC            | Board-Jack Side                  | - 1500Vrms, 1 minute |
| URNS RATIO            | (P1-P2):(J1-J2)                  | 1:1, ±2%             |
| URNS RATIO            | (P7-P8):(J4-J5)                  | 1:1, ±2%             |
| URNS RATIO            | (P3-P4):(J3-J6)                  | 1:1, ±2%             |
| URNS RATIO            | (P9-P10):(J7-J8)                 | 1:1, ±2%             |
| INSERTION LOSS        | 1MHz - 100MHz                    | -1.0dB max.          |
| RETURN LOSS           | 1M - 40MHz                       | -18dB min.           |
| RETURN LOSS           | 40M - 60MHz                      | -14dB min.           |
| RETURN LOSS           | 60M - 80MHz                      | -12dB min.           |
| RETURN LOSS           | 80M - 100MHz                     | -10dB min.           |
| CROSSTALK             | 1M - 30MHz                       | -40dB typ.           |
| CROSSTALK             | 30M - 60MHz                      | -36dB typ.           |
| CROSSTALK             | 60M - 100MHz                     | -30dB typ.           |
| COMMON MODE REJECTION | 1M - 100MHz                      | -35dB min.           |



GENERAL SPECIFICATIONS:

Designed for 10/100/1000 Base-T Application.

OPERATING TEMPERATURE RANGE: 0°C to +70°C.

| REV. | DATE |
|------|------|
| 6B   | 1/08 |
| 6A   | 9/07 |

|               |         |
|---------------|---------|
| AGENCY NUMBER |         |
| UL60950-1     | E205930 |

Packaging Specifications

Method: Tube  
PKG-0524  
www.midcom-inc.com

Unless otherwise specified:  
Tolerances: Fractions: ±1/64  
Angles: ±1° Decimals: ±.010 [0.25]  
This drawing is dual dimensioned. Dimensions in brackets are in millimeters.

DRAWING TITLE

**TRANSFORMER**  
GIGABIT

eiSos p/n: 749911213



DRAWING NO.

**749911213**

REVISIONS: SEE SHEET 1

SCALE ---

SHEET 2 OF 6

## X-ON Electronics

Largest Supplier of Electrical and Electronic Components

*Click to view similar products for [Modular Connectors](#) / [Ethernet Connectors](#) category:*

*Click to view products by [Wurth](#) manufacturer:*

Other Similar products are found below :

[RJE231881317T](#) [MP1010RX-1000](#) [MP44RX-1000](#) [GAX-3-66](#) [GAX-8-62](#) [93606-0253](#) [GD-A-44](#) [GDCX-PA-66-50](#) [GDCX-PN-64](#) [GDCX-PN-66](#) [GDCX-PN-66-50](#) [GDLX-A-66](#) [GDLX-A-88](#) [GDLX-N-66](#) [GDLX-S-88K](#) [GDTX-S-88-50](#) [GDX-PA-1010](#) [GLX-N-1010M-BLK](#) [GLX-N-44M](#) [GLX-S-88M-BLK](#) [GMX-N-1010](#) [GMX-S-1010](#) [GMX-S-66](#) [GMX-SMT2-N-1010](#) [GMX-SMT2-N-64-50](#) [GMX-SMT2-S6-88](#) [GMX-SMT4-N-88](#) [GPX-2-64](#) [GRT1-BT1-5](#) [GSGX-N-2-88](#) [GSX-NS2-88-3.05](#) [GSX-NS2-88-3.05-50](#) [GSX-NS-88-3.05-30](#) [GSX-NS-88-3.05-50](#) [GSX-NS-88-3.68](#) [1-1775629-2](#) [GWLX-S-88-GR](#) [GWLX-S9-88-YG](#) [1300500326](#) [1300500227](#) [1300530003](#) [1300570002](#) [1324640-4](#) [RJ11FTVC2G](#) [RJ11FTVC2N](#) [RJFTVX2SA1G](#) [132764-001](#) [1400000](#) [1413176](#) [1413235](#)