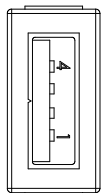


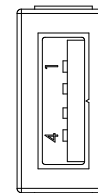
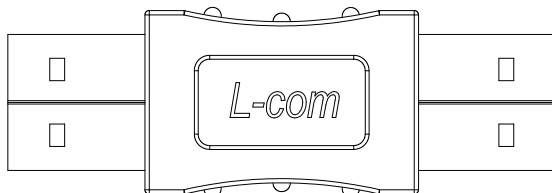
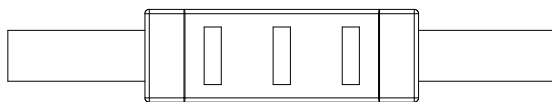
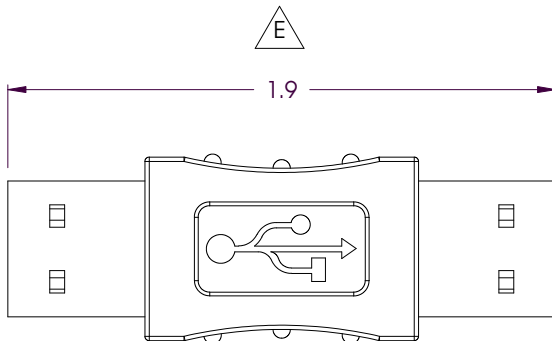
THE INFORMATION CONTAINED IN THIS DRAWING IS THE SOLE PROPERTY OF L-COM, INC. ANY REPRODUCTION IN PART OR WHOLE WITHOUT THE WRITTEN PERMISSION OF L-COM, INC. IS PROHIBITED.

REVISIONS			
REV	DESCRIPTION	DATE	APPROVED
B	REVISED ADDED LOGO (ECN# 1291)	01/20/03	MCCORMICK
C	ECN#1605 ADDED COMPONENT SPECIFICATION TABLE	12/15/03	MCCORMICK
D	ECN# 1962 REVISED TOLERANCE & MODIFIED COMPONENT SPECIFICATION	01/26/05	MCCORMICK
E	ECN# 2294 REVISED TOLERANCE TO ONE PLACE	01/18/06	MCCORMICK

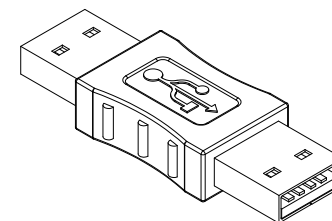


SERIES "A" USB PLUG
P1

TABLE	
P1	P2
PIN 1	PIN 1
PIN 2	PIN 2
PIN 3	PIN 3
PIN 4	PIN 4
GRD	GRD



SERIES "A" USB PLUG
P2



Component Specifications	
Material	
Overmold	PVC
Contacts	Brass
Insulator	PBT, UL 94V-0
Finish	
Shell	Nickel Silver
Contacts	Gold over Nickel
Electrical	
Current Rating	3 Amp
Dielectric Strength	1000V AC for one minute
Insulator Resistance	1000Ω min at 500V DC
USB 2.0 Compliant	
CS-155	

UNLESS OTHERWISE SPECIFIED,
DIMENSIONS ARE IN INCHES
TOLERANCES ARE:
X ±.1
XX ±.05
XXX ±.005
CABLE LENGTH TOLERANCE
<300" ±5% >300" ±2%

APPROVALS	DATE
DRAWN BY C.MCCORMICK	12/20/2002
CHECKED BY D.PARHAM	12/20/2002
APPROVED BY R.CARRICK	12/20/2002

CONFIGURATION DETAILS OF
UNDIMENSIONED FEATURES
MAY VARY

L-com CONNECTIVITY PRODUCTS		45 BEECHWOOD DRIVE NORTH ANDOVER, MA 01845	
PRODUCT DESCRIPTION SERIES "A" PLUG TO SERIES "A" PLUG ADAPTOR			
DRAWING TITLE OUTLINE DRAWING			
SIZE A	FSCM NO. 43321	DWG. NO. UAD014MM-OD1	REV. E
SCALE: NONE		CAD FILE: UAD014MM-OD1.SLDDRW	SHEET 1 OF 1

X-ON Electronics

Largest Supplier of Electrical and Electronic Components

Click to view similar products for [l-com manufacturer](#):

Other Similar products are found below :

[FOA-550A](#) [SDRA15AG](#) [UMC-201](#) [CSMN50MF-5](#) [CSMNB15MF-15](#) [TRD815RA2BL-5](#) [CA3N050](#) [CA3A-90DA-1M](#) [U3A00003-03M](#)
[CTLF3VGAMM-20](#) [HDCAMM-3](#) [U3A00014-03M](#) [ECF-SK-25](#) [CSMT15MF-10](#) [CSMT15MM-15](#) [CSMT15MM-25](#) [CSPL15MF-50](#)
[CSPL25MF-25](#) [CSPL9MF-10](#) [CSPL9MF-5](#) [CSPL25MF-5](#) [CSPL25MF-2.5](#) [AL-IPEPS](#) [NB201611-10F-1](#) [TDG1026KC5-MNL](#) [NB121005-](#)
[10F](#) [TRD855SRA6DBL-05M](#) [TRD855SRA6DBL-10M](#) [TRD855SRA7DBL-1M](#) [TRD855SRA7DBL-10M](#) [PR175SCDLCQ24](#) [TRG508-T4T-](#)
[3M](#) [TRA5261-15F](#) [TRA5261S-1F](#) [TRA6261-1F](#) [TRA6261-10F](#) [USBBFT](#) [DGB25M](#) [CASATAL-18](#) [CSM25MM-10](#) [CSM37MF-10](#)
[CSUSB-100](#) [CA3A-90RA-1M](#) [CA3A-90RMICB-1M](#) [U2A00003-3M](#) [U3A00003-05M](#) [U2A00008-12I](#) [U3A00056-03M](#) [U3A00007-075M](#)
[U3A00007-1M](#)