

NCR402U

20 mA LED driver in SOT457

Rev. 1 — 10 December 2013

Product data sheet

1. Product profile

1.1 General description

LED driver consisting of resistor-equipped PNP transistor with two diodes on one chip in an SOT457 (SC-74) plastic package.

1.2 Features and benefits

- Stabilized output current of 20 mA
- High current accuracy at supply voltage variation
- Low voltage overhead of 1.4 V
- Qualified according to AEC-Q101
- Reduces component count and board space
- High power dissipation of 750 mW
- Stabilized output current adjustable up to 65 mA when an external resistor is used

1.3 Applications

- Constant current LED driver
- Generic constant current source
- Automotive applications

1.4 Quick reference data

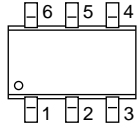
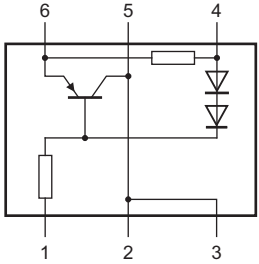
Table 1. Quick reference data

Symbol	Parameter	Conditions	Min	Typ	Max	Unit
I_{out}	stabilized output current	$V_S = 10\text{ V}; V_{out} = 8.6\text{ V}$	17	20	23	mA
V_S	supply voltage		-	-	40	V



2. Pinning information

Table 2. Pinning

Pin	Symbol	Description	Simplified outline	Graphic symbol
1	GND	ground		
2	IOUT	output current		
3	IOUT	output current		
4	VS	supply voltage		
5	IOUT	output current		
6	REXT	external resistor		

aaa-010101

3. Ordering information

Table 3. Ordering information

Type number	Package		Version
	Name	Description	
NCR402U	SC-74 (TSOP6)	plastic surface-mounted package; 6 leads	SOT457

4. Marking

Table 4. Marking codes

Type number	Marking code
NCR402U	DB

5. Limiting values

Table 5. Limiting values

In accordance with the Absolute Maximum Rating System (IEC 60134).

Symbol	Parameter	Conditions	Min	Max	Unit	
I_{out}	stabilized output current if external resistor is used		-	65	mA	
V_S	supply voltage		-	40	V	
V_{out}	output voltage	$V_S = 40\text{ V}$	-	38	V	
V_R	reverse voltage		[1]	0.5	V	
P_{tot}	total power dissipation	$T_{amb} \leq 25\text{ °C}$	[2]	-	475	mW
		$T_{amb} \leq 25\text{ °C}$	[3]	-	650	mW
		$T_{amb} \leq 25\text{ °C}$	[4]	-	750	mW
		$T_{amb} \leq 25\text{ °C}$	[5]	-	1100	mW
T_j	junction temperature		-	150	°C	
T_{amb}	ambient temperature		-55	+150	°C	
T_{stg}	storage temperature		-65	+150	°C	

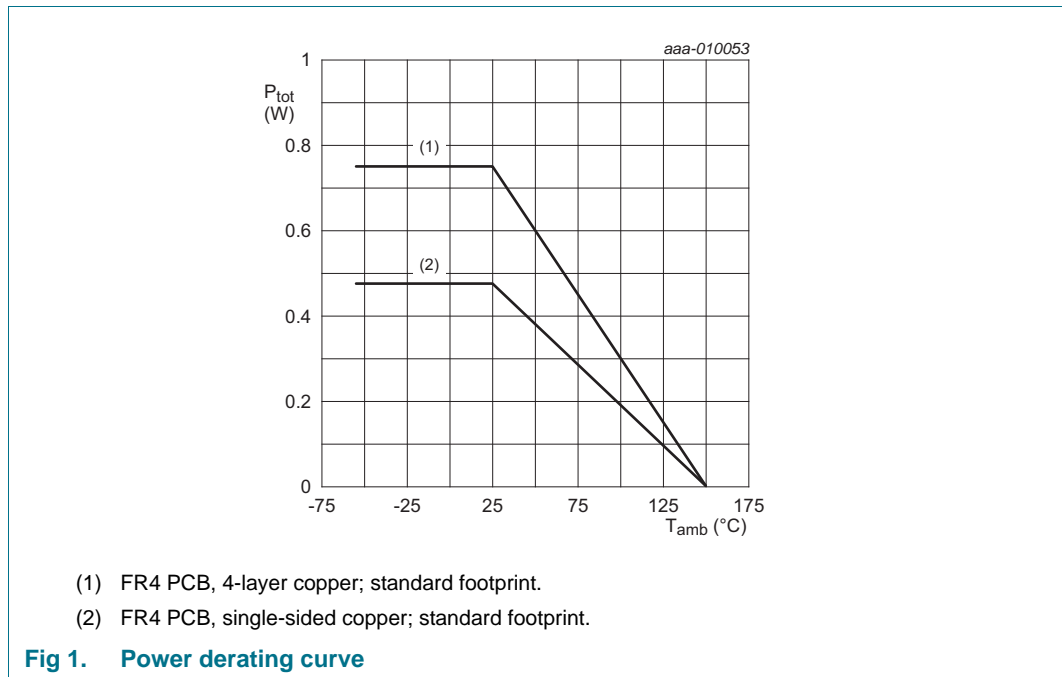
[1] Between all terminals.

[2] Device mounted on an FR4 Printed-Circuit Board (PCB); single-sided copper; tin-plated and standard footprint.

[3] Device mounted on an FR4 PCB; single-sided copper; tin-plated and mounting pad for output 1 cm².

[4] Device mounted on an FR4 PCB; 4-layer copper; tin-plated and standard footprint.

[5] Device mounted on an FR4 PCB; 4-layer copper; tin-plated and mounting pad for output 1 cm².

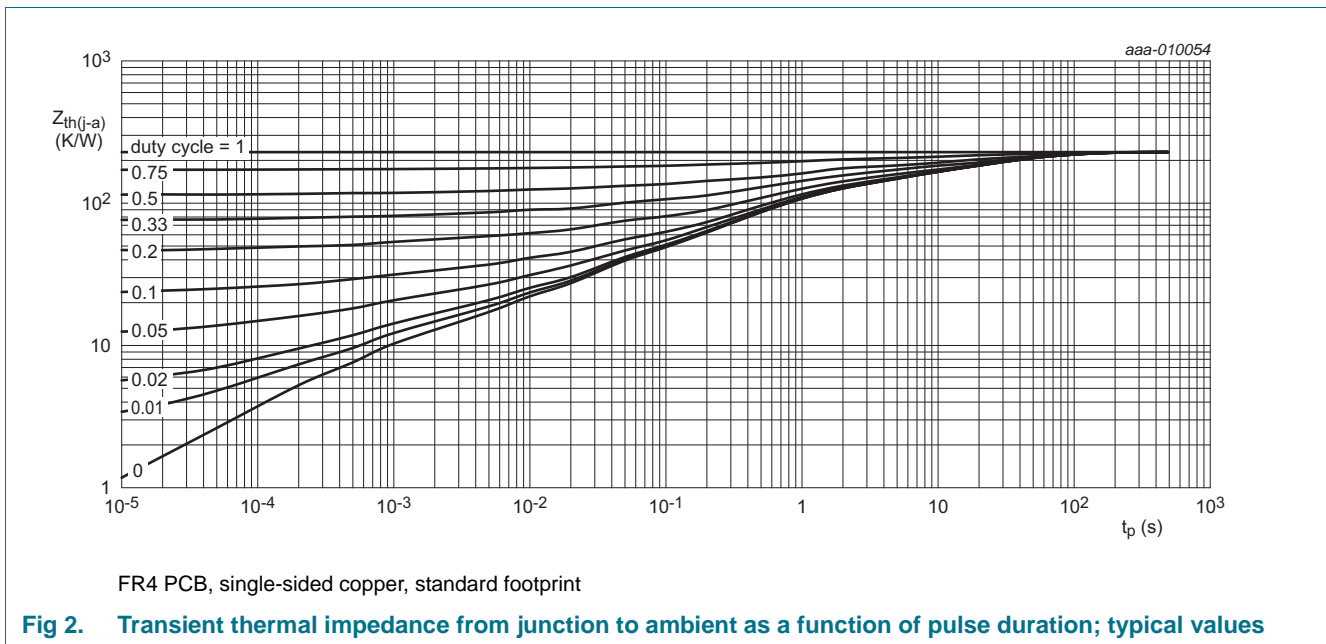


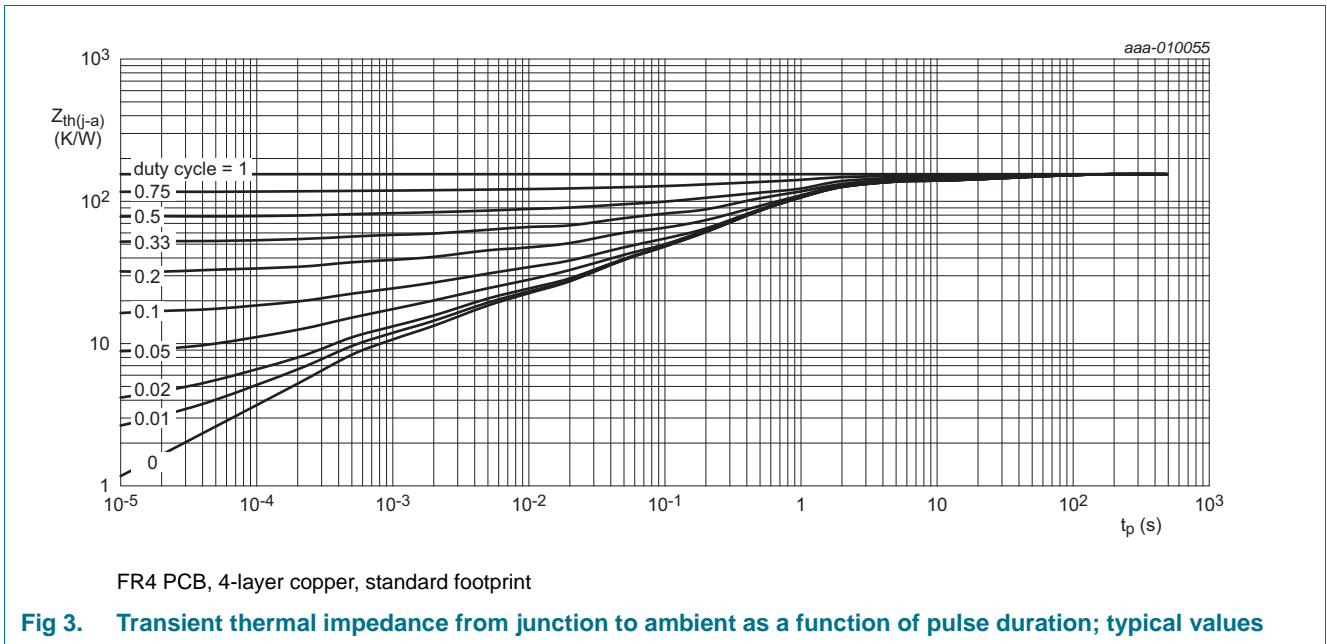
6. Thermal characteristics

Table 6. Thermal characteristics

Symbol	Parameter	Conditions	Min	Typ	Max	Unit
$R_{th(j-a)}$	thermal resistance from junction to ambient	in free air	[1] -	-	265	K/W
			[2] -	-	190	K/W
			[3] -	-	165	K/W
			[4] -	-	115	K/W
$R_{th(j-sp)}$	thermal resistance from junction to solder point	in free air	-	-	50	K/W

- [1] Device mounted on an FR4 PCB; single-sided copper; tin-plated and standard footprint.
- [2] Device mounted on an FR4 PCB; single-sided copper; tin-plated and mounting pad for output 1 cm².
- [3] Device mounted on an FR4 PCB; single-sided copper; tin-plated and standard footprint.
- [4] Device mounted on an FR4 PCB; 4-layer copper; tin-plated and mounting pad for output 1 cm².



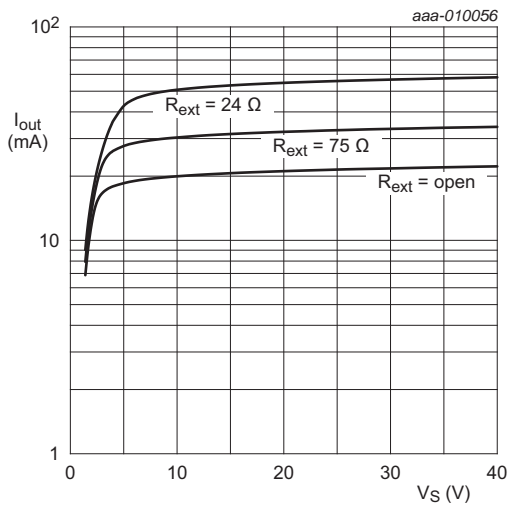


7. Characteristics

Table 7. Characteristics

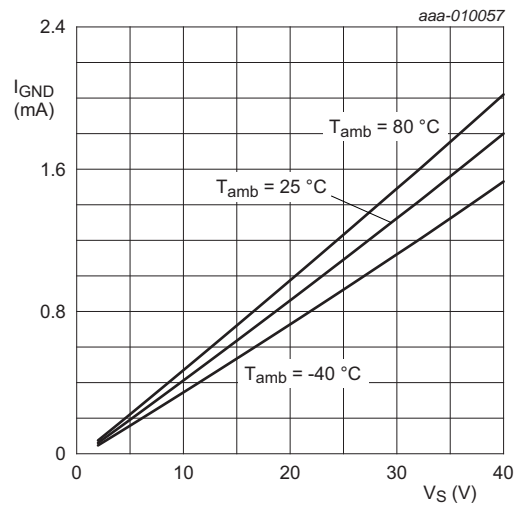
$T_{amb} = 25\text{ }^{\circ}\text{C}$; pulse test: $t_p \leq 300\text{ }\mu\text{s}$; $\delta = 0.02$; unless otherwise specified.

Symbol	Parameter	Conditions	Min	Typ	Max	Unit
I_{out}	stabilized output current	$V_S = 10\text{ V}$; $V_{out} = 8.6\text{ V}$	17	20	23	mA
I_{GND}	ground current	$V_S = 10\text{ V}$; $I_{out} = 0\text{ A}$	340	420	500	μA
R_{int}	internal resistance	$I_{Rint} = 20\text{ mA}$	36	42	52	Ω
V_{Rint}	voltage drop at internal resistance R_{int}	$I_{out} = 20\text{ mA}$	-	0.85	-	V
V_{Smin}	lowest sufficient supply voltage overhead $V_S - V_{out}$	$I_{out} > 17\text{ mA}$	-	1.4	-	V
$\Delta I_{out} / (I_{out} \times \Delta T_{amb})$	stabilized output current change over ambient temperature	$V_S = 10\text{ V}$; $V_{out} = 8.6\text{ V}$	-	-0.3	-	%/K
$\Delta I_{out} / (I_{out} \times \Delta V_S)$	stabilized output current change over supply voltage	$V_S = 10\text{ V}$; $V_S - V_{out} = 1.4\text{ V}$	-	0.8	-	%/V



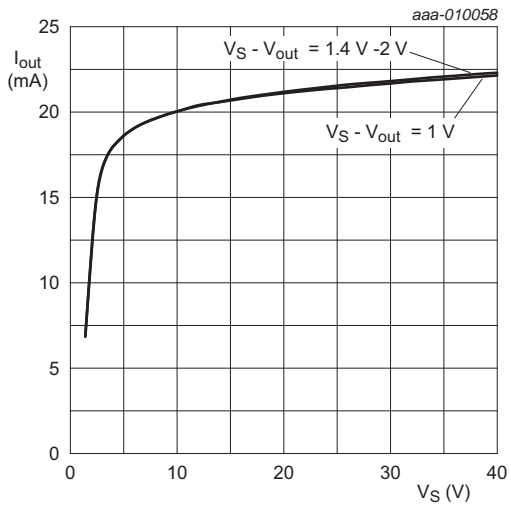
$V_S - V_{out} = 1.4\text{ V}$; $T_{amb} = 25\text{ }^{\circ}\text{C}$

Fig 4. Output current as a function of supply voltage; typical values



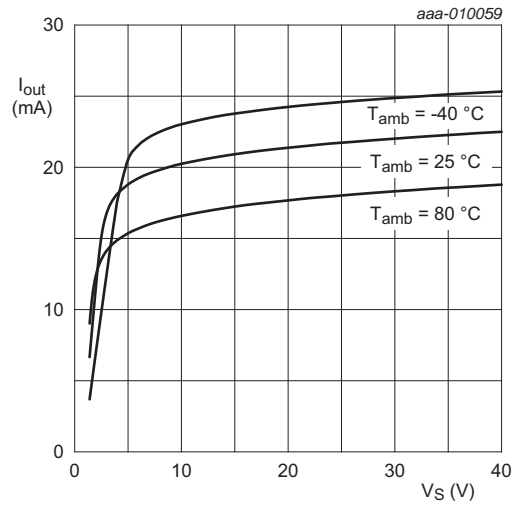
$I_{out} = 0\text{ mA}$

Fig 5. Ground current as a function of supply voltage; typical values



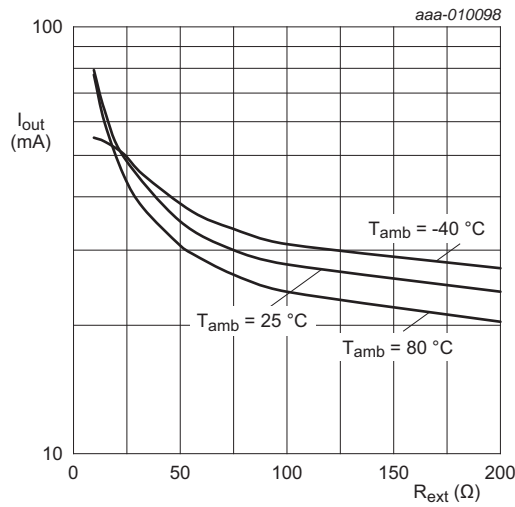
$R_{ext} = \text{open}$; $T_{amb} = 25\text{ }^\circ\text{C}$

Fig 6. Output current as a function of supply voltage; typical values



$V_S - V_{out} = 1.4\text{ V}$; $R_{ext} = \text{open}$

Fig 7. Output current as a function of supply voltage; typical values



$V_S = 10\text{ V}$; $V_{out} = 8.6\text{ V}$

Fig 8. Output current as a function of external resistor; typical values

8. Application information

Figure 9 shows a typical application circuit for an LED driver. The constant current ensures a constant LED brightness. The output current can be adjusted between 20 mA and 65 mA by connecting an external resistor R_{ext} . Figure 8 gives a first indication for choosing the external resistor R_{ext} . The output current slightly decreases when the power load at LED driver increases. This effect is due to the self heating of the device and the negative thermal coefficient of the output current.

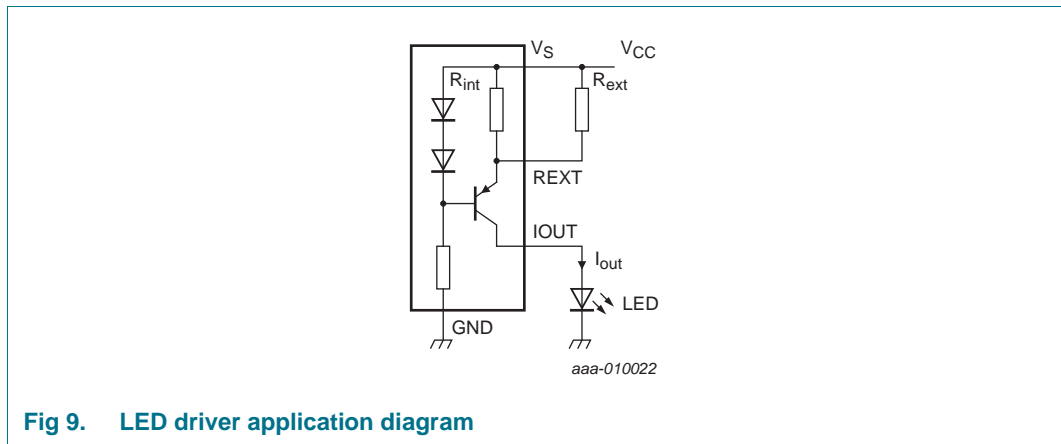


Fig 9. LED driver application diagram

The output can be switched ON and OFF by connecting a Resistor-Equipped Transistor (RET), e.g. PDTC124XU; see Figure 10.

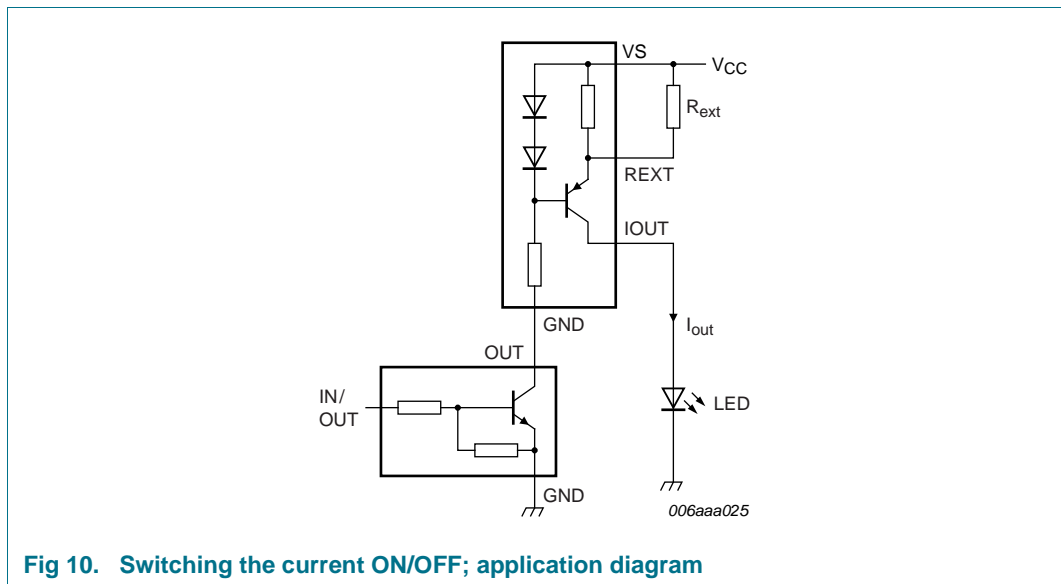


Fig 10. Switching the current ON/OFF; application diagram

9. Test information

9.1 Quality information

This product has been qualified in accordance with the Automotive Electronics Council (AEC) standard *Q101 - Stress test qualification for discrete semiconductors*, and is suitable for use in automotive applications.

10. Package outline

Plastic surface-mounted package (TSOP6); 6 leads

SOT457

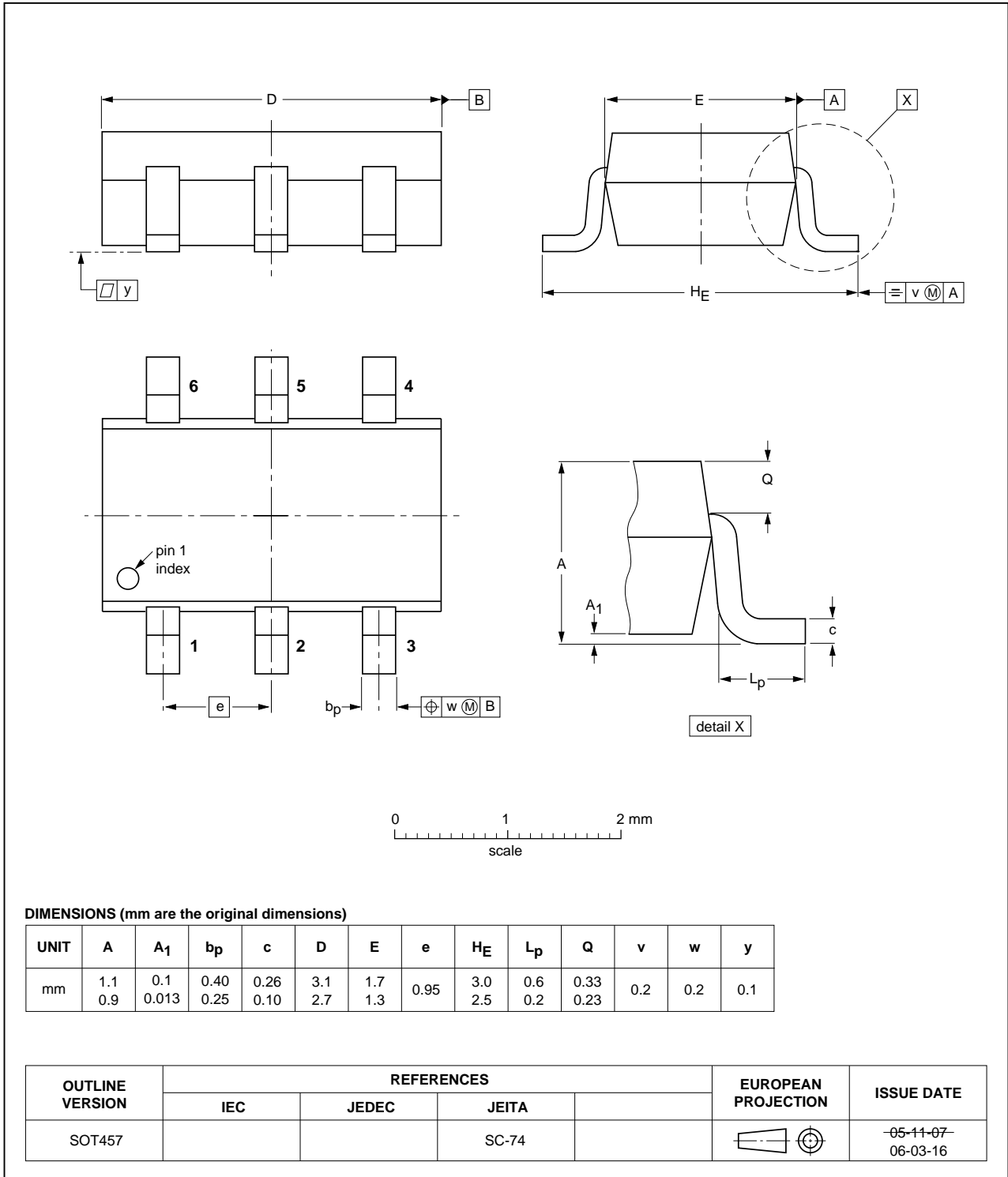


Fig 11. Package outline SOT457 (SC-74)

11. Soldering

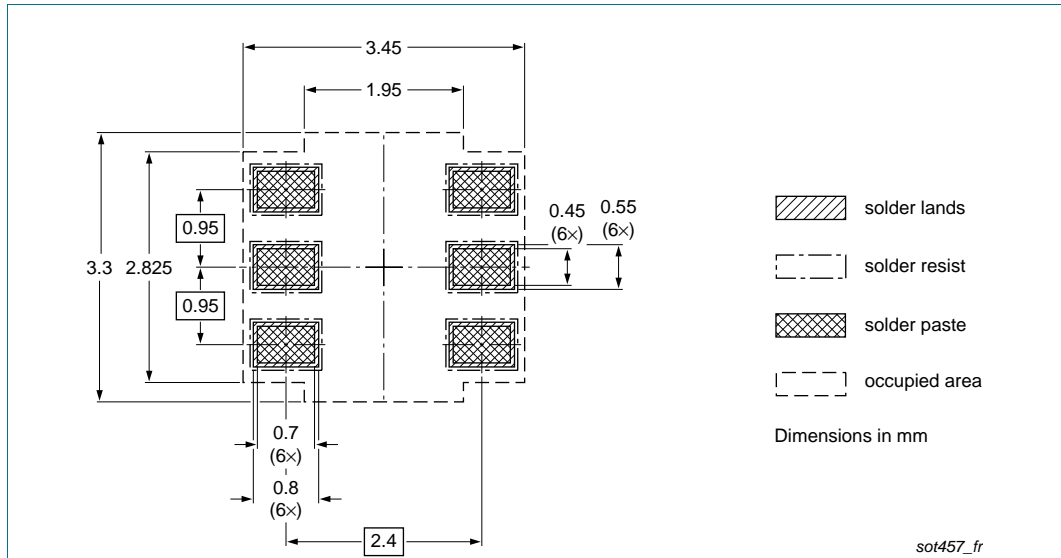


Fig 12. Reflow soldering footprint for SOT457 (SC-74)

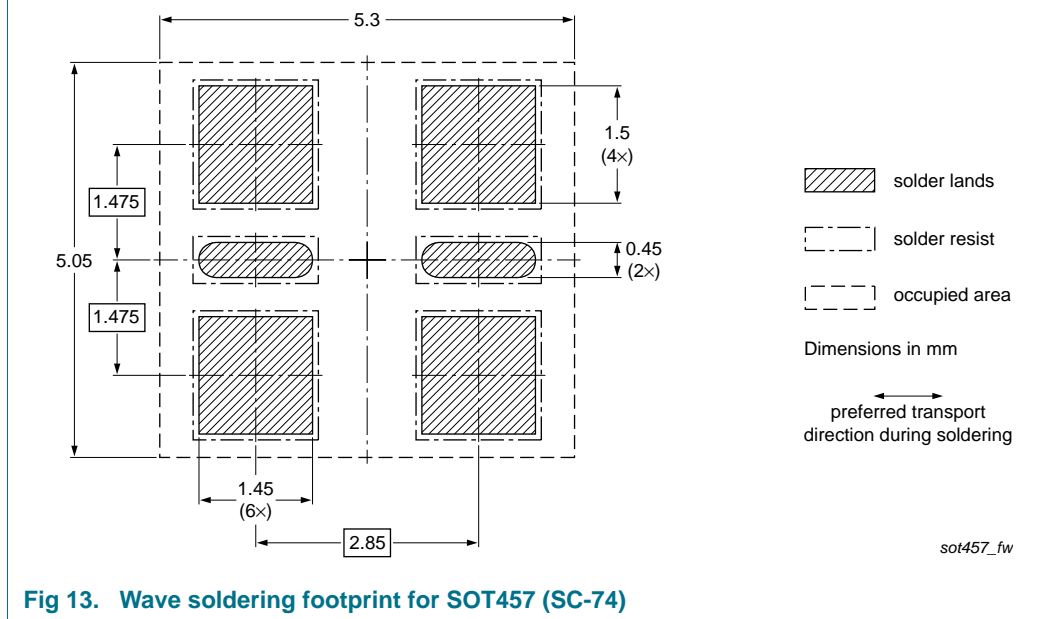


Fig 13. Wave soldering footprint for SOT457 (SC-74)

12. Revision history

Table 8. Revision history

Document ID	Release date	Data sheet status	Change notice	Supersedes
NCR402U v.1	20131210	Product data sheet	-	-

13. Legal information

13.1 Data sheet status

Document status ^{[1][2]}	Product status ^[3]	Definition
Objective [short] data sheet	Development	This document contains data from the objective specification for product development.
Preliminary [short] data sheet	Qualification	This document contains data from the preliminary specification.
Product [short] data sheet	Production	This document contains the product specification.

[1] Please consult the most recently issued document before initiating or completing a design.

[2] The term 'short data sheet' is explained in section "Definitions".

[3] The product status of device(s) described in this document may have changed since this document was published and may differ in case of multiple devices. The latest product status information is available on the Internet at URL <http://www.nxp.com>.

13.2 Definitions

Draft — The document is a draft version only. The content is still under internal review and subject to formal approval, which may result in modifications or additions. NXP Semiconductors does not give any representations or warranties as to the accuracy or completeness of information included herein and shall have no liability for the consequences of use of such information.

Short data sheet — A short data sheet is an extract from a full data sheet with the same product type number(s) and title. A short data sheet is intended for quick reference only and should not be relied upon to contain detailed and full information. For detailed and full information see the relevant full data sheet, which is available on request via the local NXP Semiconductors sales office. In case of any inconsistency or conflict with the short data sheet, the full data sheet shall prevail.

Product specification — The information and data provided in a Product data sheet shall define the specification of the product as agreed between NXP Semiconductors and its customer, unless NXP Semiconductors and customer have explicitly agreed otherwise in writing. In no event however, shall an agreement be valid in which the NXP Semiconductors product is deemed to offer functions and qualities beyond those described in the Product data sheet.

13.3 Disclaimers

Limited warranty and liability — Information in this document is believed to be accurate and reliable. However, NXP Semiconductors does not give any representations or warranties, expressed or implied, as to the accuracy or completeness of such information and shall have no liability for the consequences of use of such information. NXP Semiconductors takes no responsibility for the content in this document if provided by an information source outside of NXP Semiconductors.

In no event shall NXP Semiconductors be liable for any indirect, incidental, punitive, special or consequential damages (including - without limitation - lost profits, lost savings, business interruption, costs related to the removal or replacement of any products or rework charges) whether or not such damages are based on tort (including negligence), warranty, breach of contract or any other legal theory.

Notwithstanding any damages that customer might incur for any reason whatsoever, NXP Semiconductors' aggregate and cumulative liability towards customer for the products described herein shall be limited in accordance with the *Terms and conditions of commercial sale* of NXP Semiconductors.

Right to make changes — NXP Semiconductors reserves the right to make changes to information published in this document, including without limitation specifications and product descriptions, at any time and without notice. This document supersedes and replaces all information supplied prior to the publication hereof.

Suitability for use in automotive applications — This NXP Semiconductors product has been qualified for use in automotive applications. Unless otherwise agreed in writing, the product is not designed, authorized or warranted to be suitable for use in life support, life-critical or safety-critical systems or equipment, nor in applications where failure or malfunction of an NXP Semiconductors product can reasonably be expected to result in personal injury, death or severe property or environmental damage. NXP Semiconductors and its suppliers accept no liability for inclusion and/or use of NXP Semiconductors products in such equipment or applications and therefore such inclusion and/or use is at the customer's own risk.

Applications — Applications that are described herein for any of these products are for illustrative purposes only. NXP Semiconductors makes no representation or warranty that such applications will be suitable for the specified use without further testing or modification.

Customers are responsible for the design and operation of their applications and products using NXP Semiconductors products, and NXP Semiconductors accepts no liability for any assistance with applications or customer product design. It is customer's sole responsibility to determine whether the NXP Semiconductors product is suitable and fit for the customer's applications and products planned, as well as for the planned application and use of customer's third party customer(s). Customers should provide appropriate design and operating safeguards to minimize the risks associated with their applications and products.

NXP Semiconductors does not accept any liability related to any default, damage, costs or problem which is based on any weakness or default in the customer's applications or products, or the application or use by customer's third party customer(s). Customer is responsible for doing all necessary testing for the customer's applications and products using NXP Semiconductors products in order to avoid a default of the applications and the products or of the application or use by customer's third party customer(s). NXP does not accept any liability in this respect.

Limiting values — Stress above one or more limiting values (as defined in the Absolute Maximum Ratings System of IEC 60134) will cause permanent damage to the device. Limiting values are stress ratings only and (proper) operation of the device at these or any other conditions above those given in the Recommended operating conditions section (if present) or the Characteristics sections of this document is not warranted. Constant or repeated exposure to limiting values will permanently and irreversibly affect the quality and reliability of the device.

Terms and conditions of commercial sale — NXP Semiconductors products are sold subject to the general terms and conditions of commercial sale, as published at <http://www.nxp.com/profile/terms>, unless otherwise agreed in a valid written individual agreement. In case an individual agreement is concluded only the terms and conditions of the respective agreement shall apply. NXP Semiconductors hereby expressly objects to applying the customer's general terms and conditions with regard to the purchase of NXP Semiconductors products by customer.

No offer to sell or license — Nothing in this document may be interpreted or construed as an offer to sell products that is open for acceptance or the grant, conveyance or implication of any license under any copyrights, patents or other industrial or intellectual property rights.

Export control — This document as well as the item(s) described herein may be subject to export control regulations. Export might require a prior authorization from competent authorities.

Quick reference data — The Quick reference data is an extract of the product data given in the Limiting values and Characteristics sections of this document, and as such is not complete, exhaustive or legally binding.

Translations — A non-English (translated) version of a document is for reference only. The English version shall prevail in case of any discrepancy between the translated and English versions.

13.4 Trademarks

Notice: All referenced brands, product names, service names and trademarks are the property of their respective owners.

14. Contact information

For more information, please visit: <http://www.nxp.com>

For sales office addresses, please send an email to: salesaddresses@nxp.com

15. Contents

1	Product profile	1
1.1	General description	1
1.2	Features and benefits	1
1.3	Applications	1
1.4	Quick reference data	1
2	Pinning information	2
3	Ordering information	2
4	Marking	2
5	Limiting values	3
6	Thermal characteristics	4
7	Characteristics	6
8	Application information	8
9	Test information	9
9.1	Quality information	9
10	Package outline	10
11	Soldering	11
12	Revision history	12
13	Legal information	13
13.1	Data sheet status	13
13.2	Definitions	13
13.3	Disclaimers	13
13.4	Trademarks	14
14	Contact information	14
15	Contents	15

Please be aware that important notices concerning this document and the product(s) described herein, have been included in section 'Legal information'.

© NXP B.V. 2013.

All rights reserved.

For more information, please visit: <http://www.nxp.com>

For sales office addresses, please send an email to: salesaddresses@nxp.com

Date of release: 10 December 2013

Document identifier: NCR402U

X-ON Electronics

Largest Supplier of Electrical and Electronic Components

Click to view similar products for nxp manufacturer:

Other Similar products are found below :

[MC13211R2](#) [PCA9518PW,112](#) [LFSTBEB865X](#) [MC33399PEFR2](#) [PCA9551PW,112](#) [MC34825EPR2](#) [CBTW28DD14AETJ](#) [PCF8583P](#)
[MC68340AB16E](#) [MC8640DTVJ1250HE](#) [EVBCRTOUCH](#) [MC9S08PT16AVLC](#) [MC9S08PT8AVTG](#) [MC9S08SH32CTL](#) [MCF54415CMJ250](#)
[MCIMX6Q-SDB](#) [MCIMX6SX-SDB](#) [74ALVC125BQ,115](#) [74HC4050N](#) [74HC4514N](#) [MK21FN1M0AVLQ12](#) [MKV30F128VFM10](#) [FRDM-](#)
[K66F](#) [FRDM-KW40Z](#) [FRDM-MC-LVBLDC](#) [PESD18VF1BSFYL](#) [PMF63UNEX](#) [PSMN4R0-60YS,115](#) [HEF4028BPN](#) [RAPPID-567XFSW](#)
[MPC565MVR56](#) [MPC574XG-176DS](#) [MPC8548VJAUJD](#) [MPC860PCVR66D4](#) [BT137-600E](#) [BT137S-600D.115](#) [BT138-600E.127](#) [BT139X-](#)
[600.127](#) [BT258-600R.127](#) [BUK7628-100A118](#) [BUK765R0-100E.118](#) [P5020NSE7VNB](#) [S12ZVML12EVBLIN](#) [SCC2692AC1N40](#)
[LPC1785FBD208K](#) [LPC2124FBD64/01](#) [LS1020ASN7KQB](#) [LS1020AXN7HNB](#) [LS1020AXN7KQB](#) [LS1043ASE7PQA](#)