
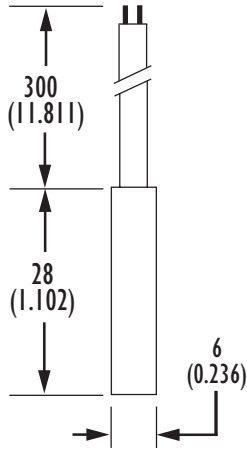



Part Number : PRA 240/30
Proximity Switch - Reed Switch based
Cylindrical - Normally Open Contacts - Suggested Magnet: PRM
Product Data Sheet

| PICTURE | DIMENSIONS | Applications Include |
|--|--|---|
|  |  <p>Drawings not to scale All dimensions in mm(inches) nominal</p> | <p>Applications Include</p> <ul style="list-style-type: none"> • Position and limit sensing. • Linear actuators . • Security system switch. • Door Switch. <hr/> <p>Options</p> <ul style="list-style-type: none"> • Also available in all Black. • Custom cable lengths, strip lengths, cable types, terminations. • If you do not see what you need, just ask, as there is a strong possibility we can do it ! |
| <p>✓RoHS Compliant</p> | | |

| SPECIFICATION | |
|--------------------------------|--|
| Contact Form / Style | Normally Open |
| Switching Capacity (Resistive) | 10 W/VA Max. |
| Switching Voltage | 400 VAC Max. |
| Switching Current | 0.5 A. Max. |
| Carry Current | 1.0 A. Max. |
| Breakdown Voltage | 600 VDC Min. |
| Contact Resistance | 150 mOhms Max. |
| Switching Distance | 5 mm Min. |
| Operating Temperature Range | -20°C +85°C |
| Storage temperature | -25°C +90°C |
| Case Material | Blue Nylon 66 |
| Cable | 2 x Round 0.14mm ² PVC covered Grey and insulated Brown / White |

Did you know we also sell?



Float Switches Magnets Movement Sensors Tilt / Tip Switches Acceleration / Shock Switches Reed Relays Solid State Relays

| Rev. No. | Revision Note | Date | Signature |
|----------|--------------------|----------|-----------|
| 2 | Datasheet Redesign | 28-07-06 | LG |



As part of the company policy of continued product improvement, specifications may change without notice. Our sales office will be pleased to help you with the latest information on this product range and the details of our full design and manufacturing service. All products are supplied to our standard conditions of sale unless otherwise agreed in writing.

Phone : +44 (0)1255 862236 www.assemtech.co.uk Fax: +44 (0)1255 862014

©2006 Copyright Assemtech Europe Ltd, Unit 7, Rice Bridge Industrial Estate, Thorpe - Le - Soken, Essex, CO16 0HL, ENGLAND.
USA: + 1 973 777 6900 - Belgium: + 32 (0)12 390400 - France: + 33 (0) 1 43 96 86 10

X-ON Electronics

Largest Supplier of Electrical and Electronic Components

Click to view similar products for [Proximity Sensors](#) category:

Click to view products by [Comus](#) manufacturer:

Other Similar products are found below :

[01.001.5653.1](#) [70.340.1028.0](#) [70.360.2428.0](#) [70.364.4828.0](#) [70.810.1053.0](#) [72.360.1628.0](#) [73.363.6428.0](#) [9221350022](#) [980659-1](#) [QT-12](#)
[E2EX10D1NN](#) [E2E-X14MD1-G](#) [E2E-X2D1-G](#) [E2EX2ME2N](#) [E2E-X3D1-N 10M](#) [E2E-X4MD1-G](#) [E2FMX1R5D12M](#) [E2K-F10MC1 5M](#)
[EI1204TBOSL-6](#) [EI5515NPAP](#) [BSA-08-25-08](#) [IC08ANC15PO-K](#) [IMM2582C](#) [25.161.3253.0](#) [25.332.0653.1](#) [25.352.0653.0](#) [25.352.0753.0](#)
[25.523.3253.0](#) [9151710023](#) [922FS1.5C-A4P-Z774](#) [SC606ABV0S30](#) [SM952A126100LE](#) [A1220EUA-T](#) [F3S-A162-U](#) [CL18](#) [QT-08L](#)
[34.110.0010.0](#) [TL-C2MF1-M3-E4](#) [IA08BLF15NOM5](#) [IA08BSF15NOM5](#) [IA12ASF04DOM1](#) [IMM32188C](#) [IS2](#) [IS31SE5000-UTLS2-TR](#)
[34.110.0021.0](#) [34.110.0022.0](#) [CA150-120VACDC](#) [VM18VA3000Q](#) [XS508BSCBL2](#) [XS512BLNAM12](#)